



US00D471952S

(12) **United States Design Patent**
Cardenas

(10) **Patent No.:** **US D471,952 S**

(45) **Date of Patent:** **** Mar. 18, 2003**

(54) **FISHING ROD HOLDER**

(76) Inventor: **John Cardenas**, 339 W. Norman Ave.,
Arcadia, CA (US) 91007

(**) Term: **14 Years**

(21) Appl. No.: **29/163,981**

(22) Filed: **Jul. 15, 2002**

(51) **LOC (7) Cl.** **03-01**

(52) **U.S. Cl.** **D22/147**

(58) **Field of Search** D22/147, 148,
D22/109; 43/21.2, 26; 224/922; D8/1; D6/552;
248/156, 518, 538, 545

(56) **References Cited**

U.S. PATENT DOCUMENTS

3,341,157	A	*	9/1967	Duncan	248/518
D306,681	S	*	3/1990	Toca, III	D8/1
D315,012	S	*	2/1991	Koga	D22/147
D448,446	S	*	9/2001	Walls et al.	D22/147
D448,447	S	*	9/2001	Sheppard	D22/147

* cited by examiner

Primary Examiner—Catherine R. Oliver

(74) *Attorney, Agent, or Firm*—Curtis L. Harrington

(57) **CLAIM**

The ornamental design for a fishing rod holder, as shown and described.

DESCRIPTION

FIG. 1 is a rear perspective view of the fishing rod holder;
FIG. 2 is a rear view thereof;
FIG. 3 is a front view thereof;
FIG. 4 is a left side view thereof;
FIG. 5 is a right side view thereof;
FIG. 6 is a bottom view thereof; and,
FIG. 7 is a top view.

The broken line showing of environment in FIG. 1 is for illustrative purposes only and forms no part of the claimed design.

1 Claim, 3 Drawing Sheets

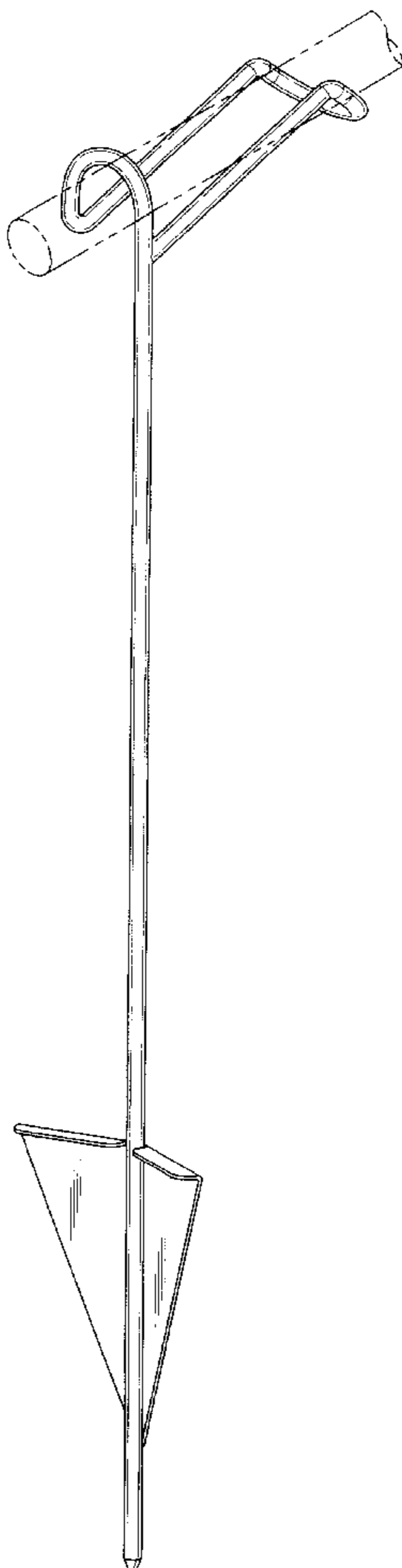


Fig. 1

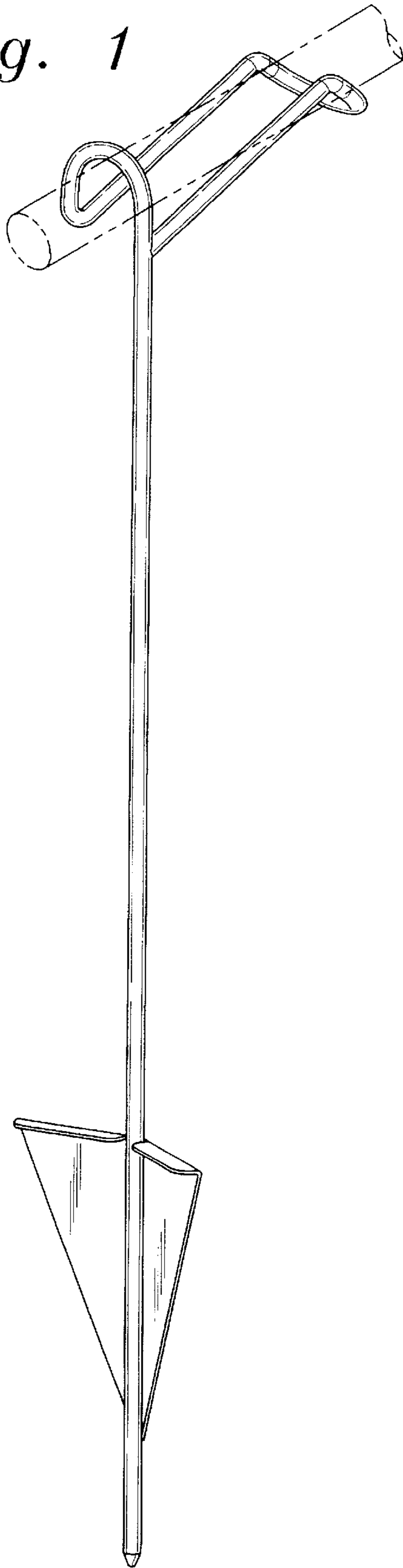


Fig. 6

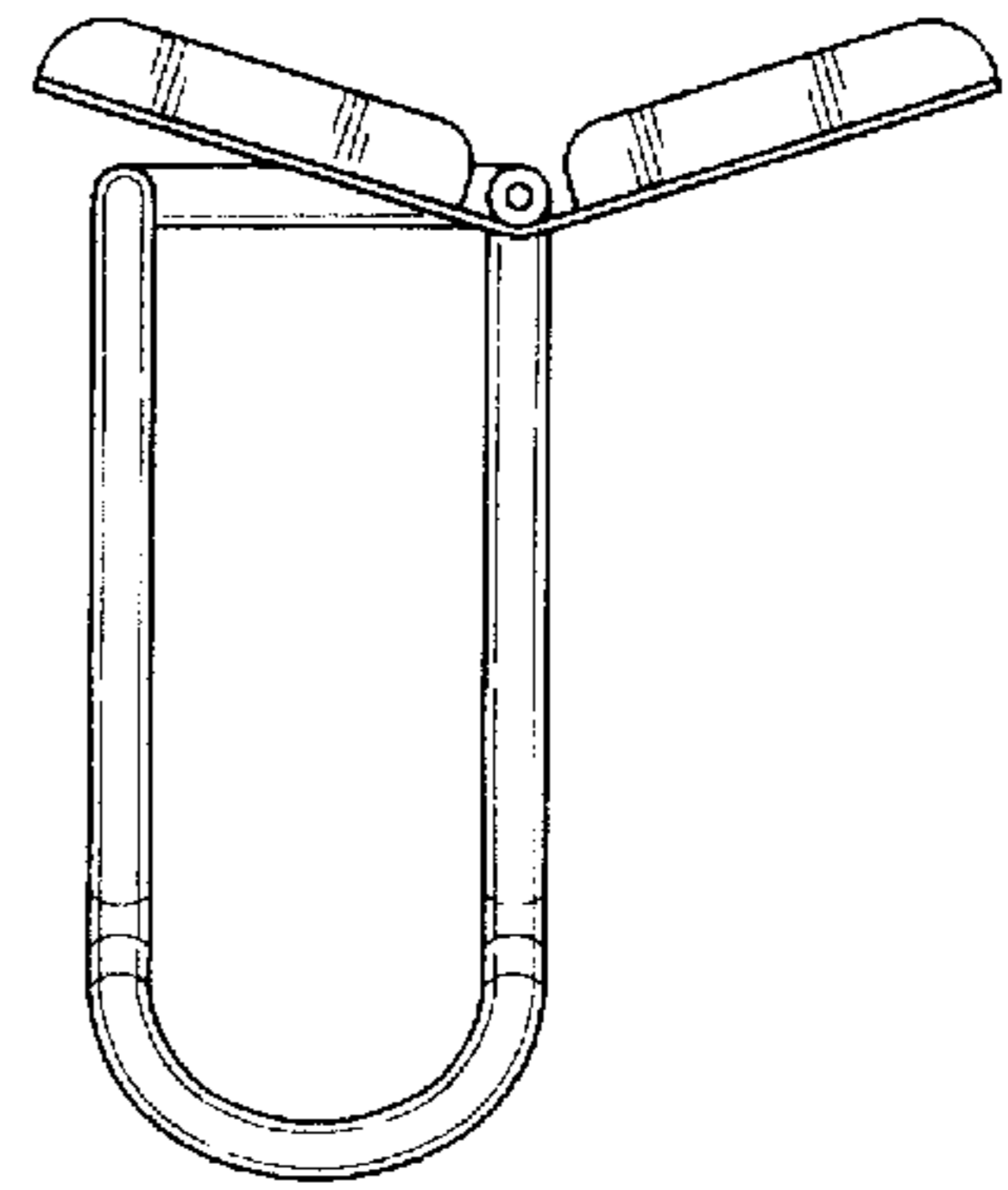


Fig. 7

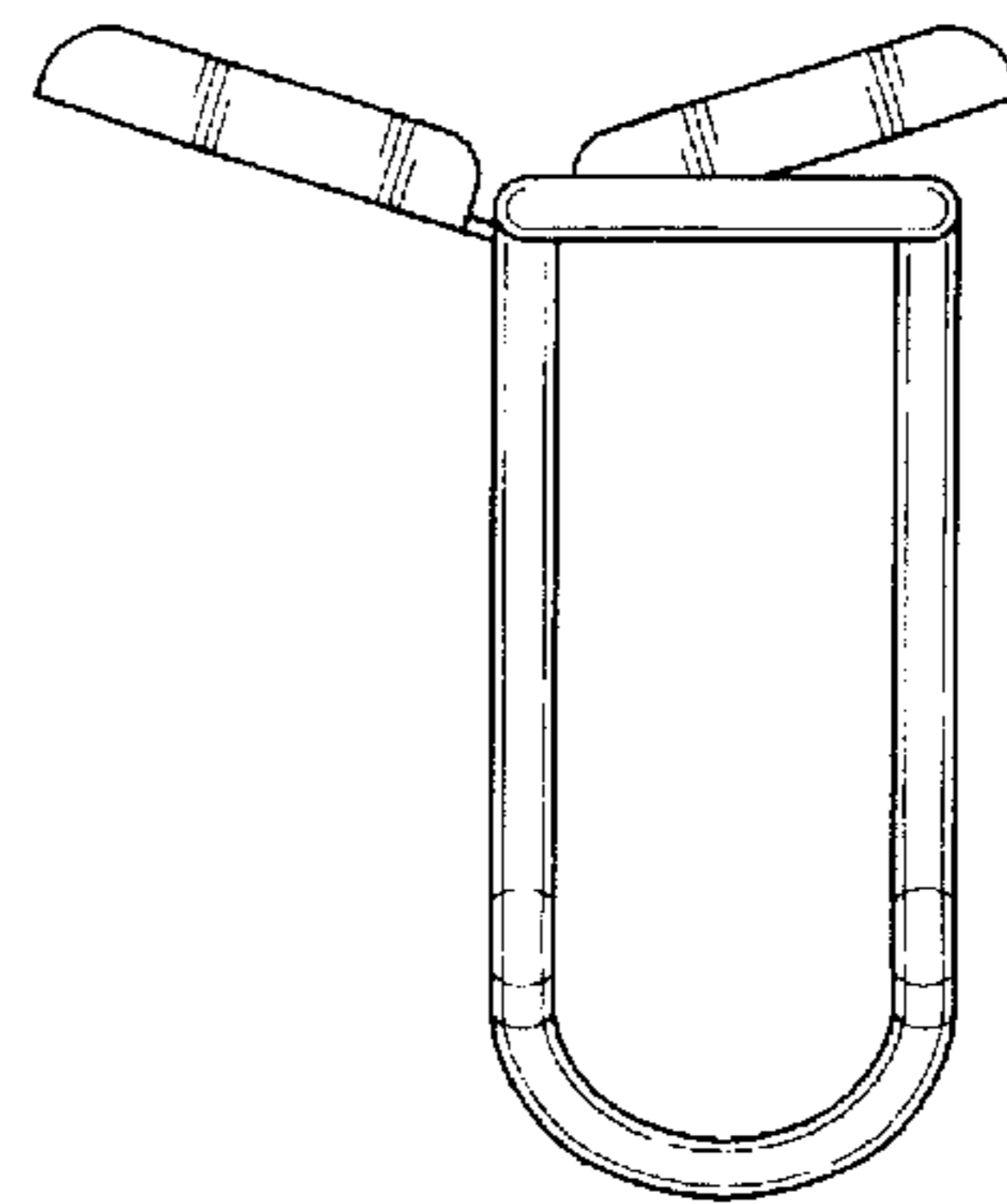


Fig. 2

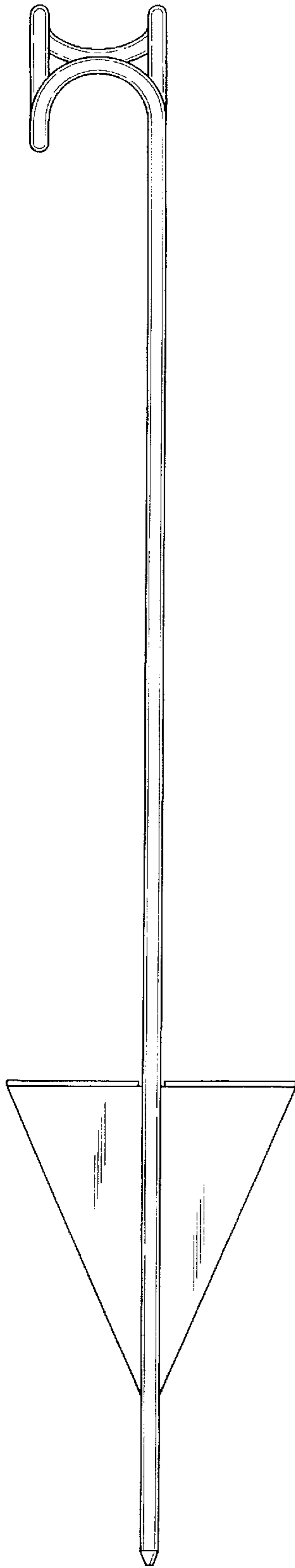


Fig. 3

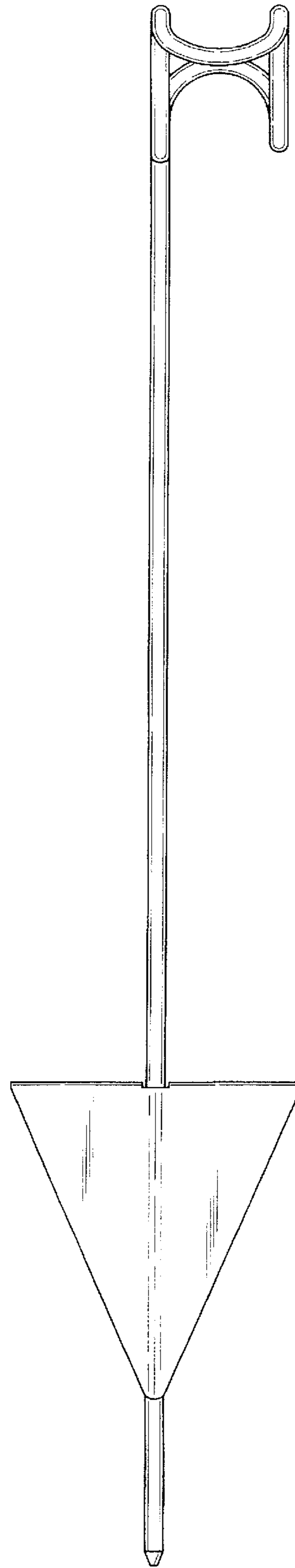


Fig. 4

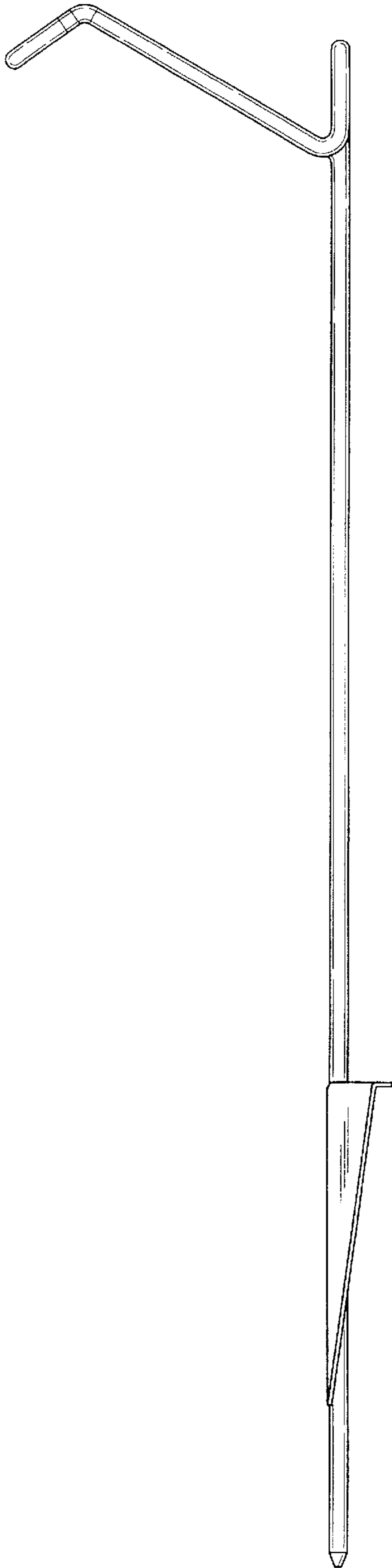


Fig. 5

