



US00D471950S

(12) **United States Design Patent**  
**Berger et al.**

(10) **Patent No.:** **US D471,950 S**

(45) **Date of Patent:** **\*\* Mar. 18, 2003**

(54) **TERMITE DETECTION STATION**

(75) Inventors: **Jonathan D. Berger**, St. Louis, MO  
(US); **Steven R. Sims**, St. Louis, MO  
(US); **Lee M. White**, St. Louis, MO  
(US)

(73) Assignee: **Whitmire Micro-Gen Research  
Laboratories, Inc.**, St. Louis, MO (US)

(\*\*) Term: **14 Years**

(21) Appl. No.: **29/162,568**

(22) Filed: **Jun. 18, 2002**

(51) **LOC (7) Cl.** ..... **22-06**

(52) **U.S. Cl.** ..... **D22/119**

(58) **Field of Search** ..... D22/119-125;  
43/107, 124, 131, 132; 73/587; 340/573.1,  
632

(56) **References Cited**

**U.S. PATENT DOCUMENTS**

D349,746 S \* 8/1994 Deyoreo ..... D22/122  
D359,790 S \* 6/1995 Blotnick ..... D22/122

D399,765 S 10/1998 Hovious ..... D10/46  
6,150,944 A \* 11/2000 Martin et al. .... 340/632  
6,266,918 B1 \* 7/2001 Henderson et al. .... 43/131  
D456,058 S 4/2002 Rollins ..... D22/122

\* cited by examiner

*Primary Examiner*—Catherine R. Oliver

(74) *Attorney, Agent, or Firm*—Senniger, Powers, Leavitt  
& Roedel

(57) **CLAIM**

The ornamental design for a termite detection station, as shown and described.

**DESCRIPTION**

FIG. 1 is a perspective view of a termite detection station showing our new design;  
FIG. 2 is a top plan view thereof;  
FIG. 3 is a bottom plan view thereof;  
FIG. 4 is a front elevational view, the opposite side being a mirror image; and,  
FIG. 5 is a right side elevational view thereof, the opposite side being a mirror image.

**1 Claim, 5 Drawing Sheets**

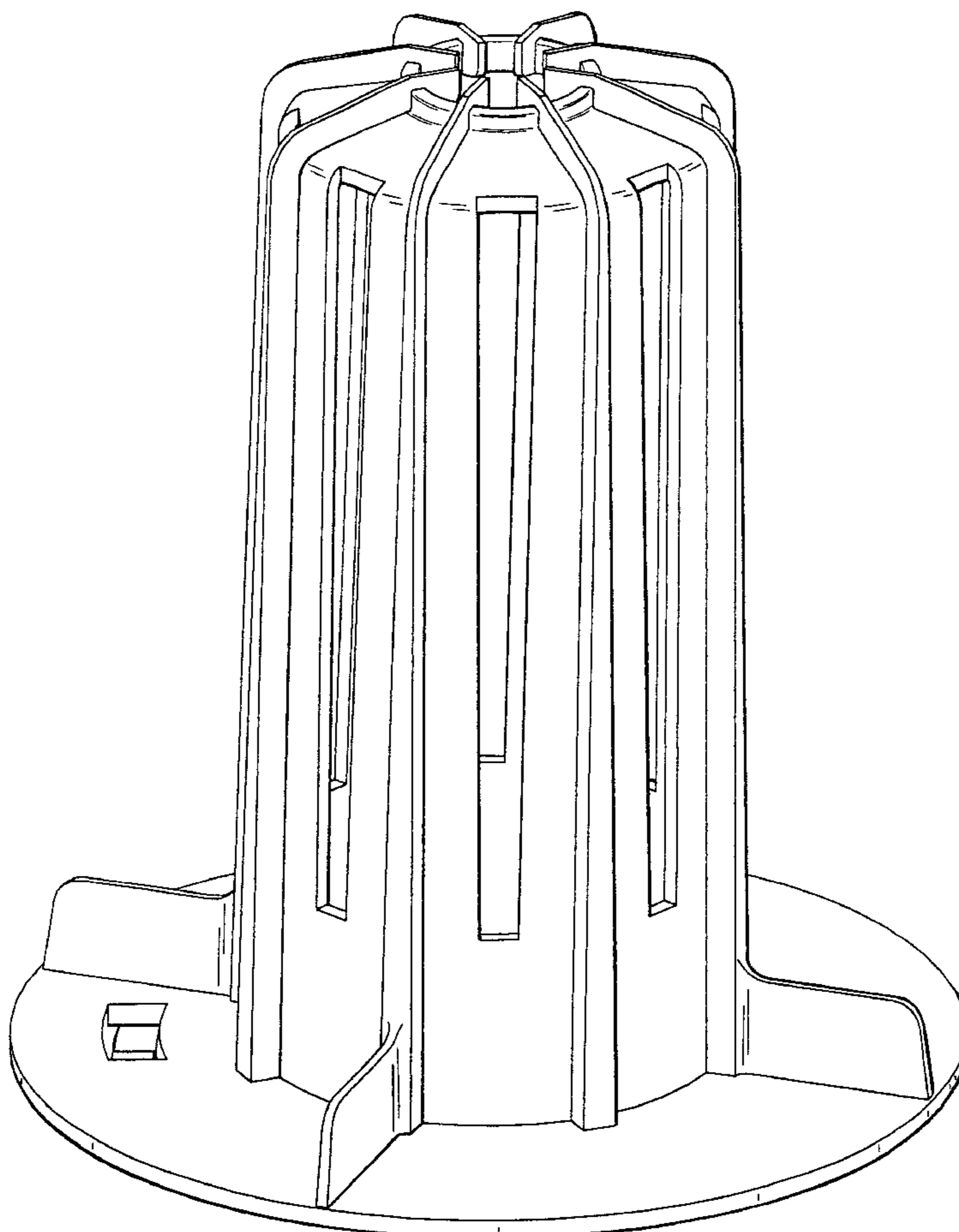
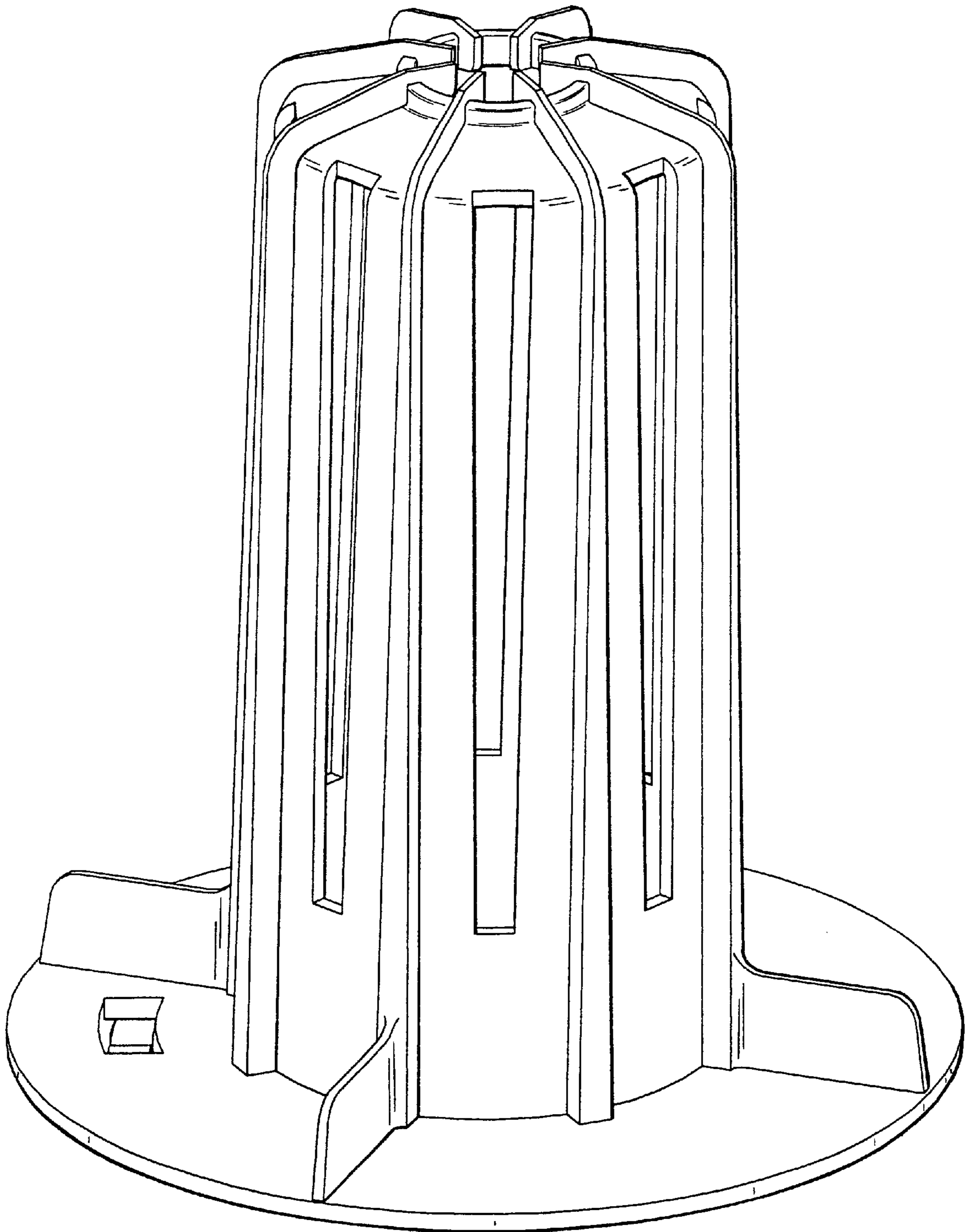


FIG. 1



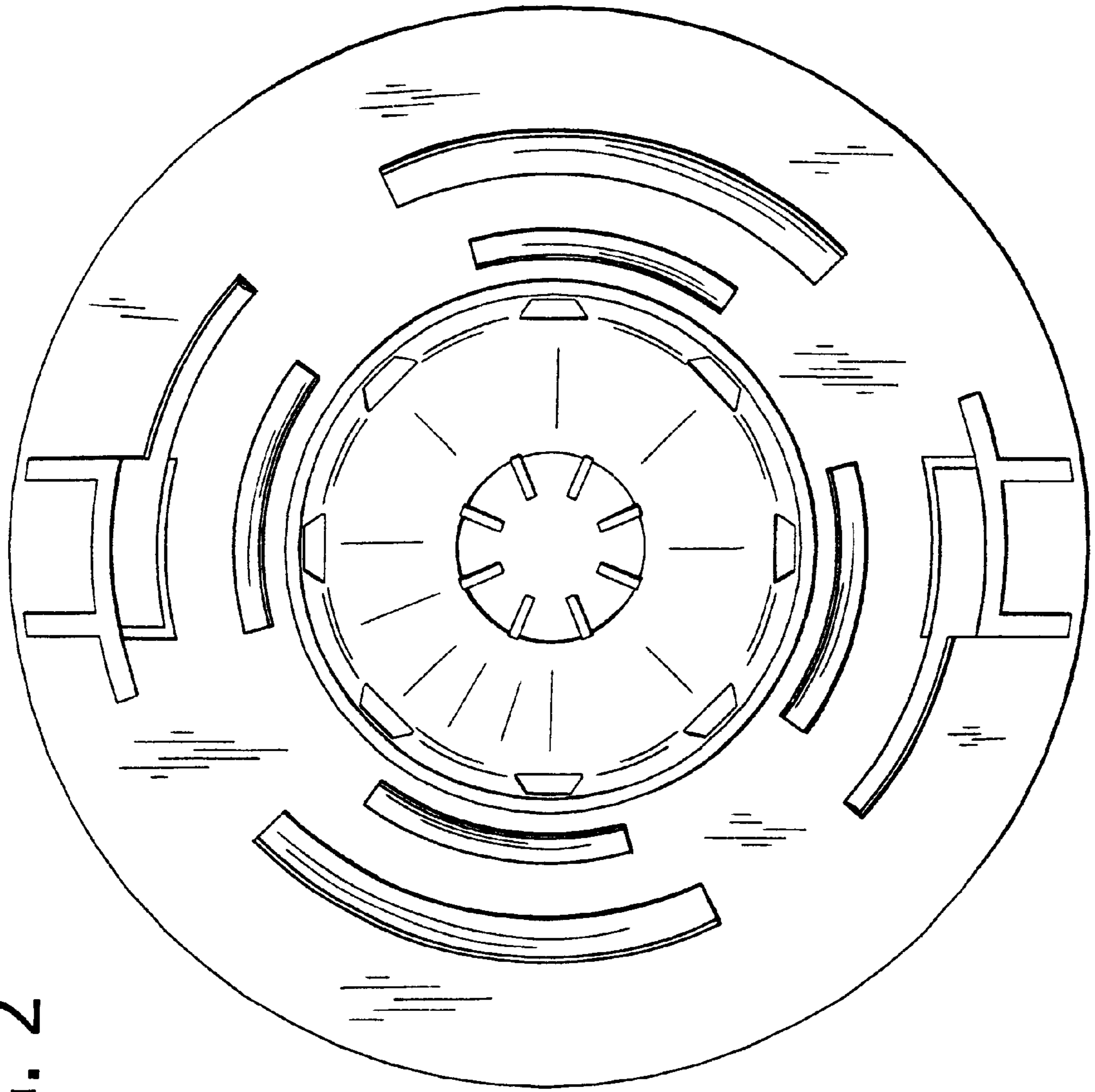


FIG. 2

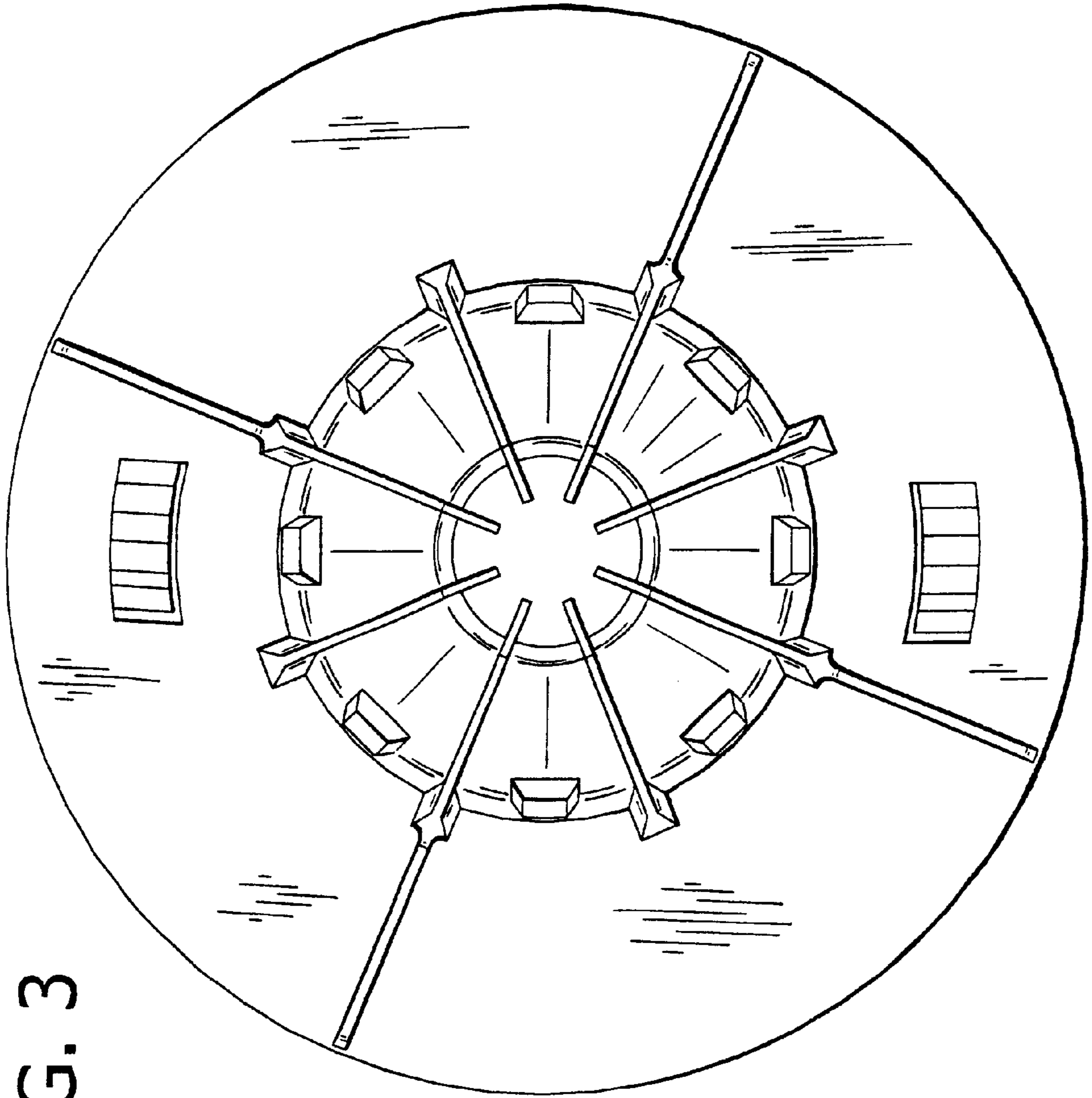


FIG. 3

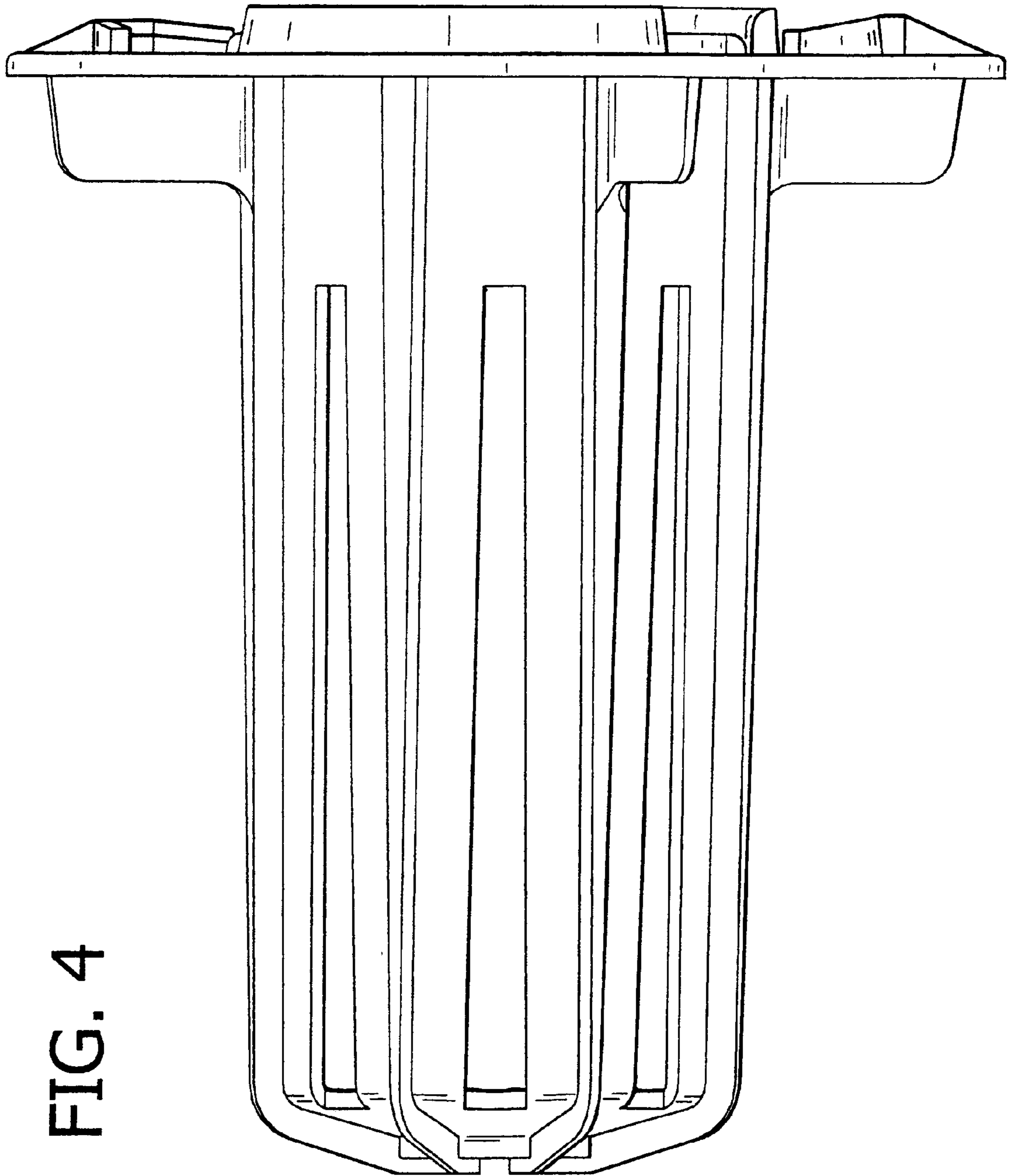


FIG. 4

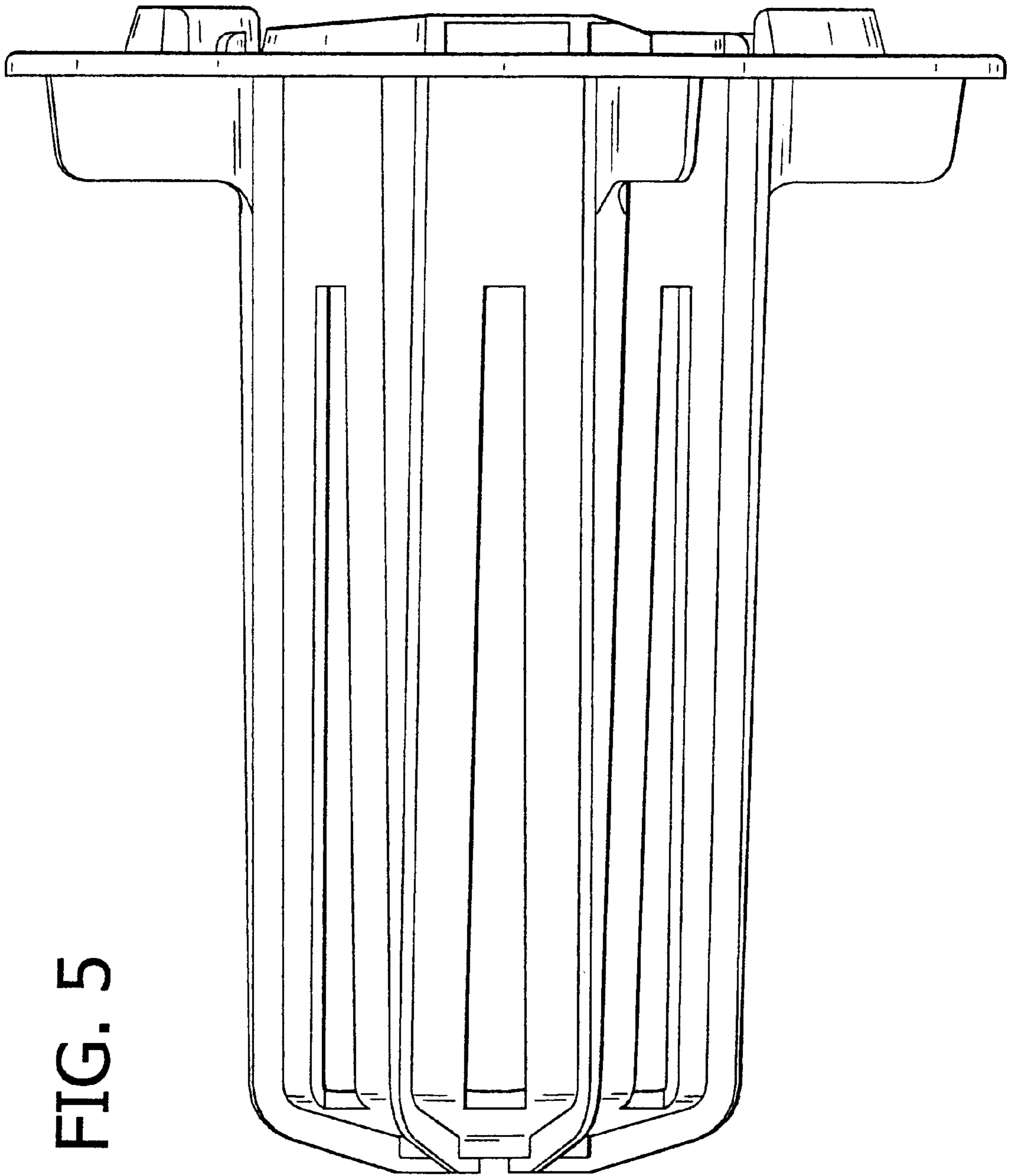


FIG. 5