



US00D471949S

(12) **United States Design Patent**
Thomas

(10) **Patent No.:** **US D471,949 S**

(45) **Date of Patent:** **** Mar. 18, 2003**

(54) **MUZZLE LOADER LOADING TOOL**

4,974,357 A * 12/1990 Jones et al. 42/90
5,097,615 A 3/1992 Kearns
D361,819 S 8/1995 Serrao

(76) Inventor: **Glen Thomas**, 144 Bartholomew Rd.,
Mercer, PA (US) 16137

(**) Term: **14 Years**

* cited by examiner

(21) Appl. No.: **29/163,460**

Primary Examiner—Louis S. Zarfaz
Assistant Examiner—Monica A. Weingart
(74) *Attorney, Agent, or Firm*—Aileen Champion Addressi

(22) Filed: **Jul. 8, 2002**

(57) **CLAIM**

(51) **LOC (7) Cl.** **22-01**

The ornamental design for a muzzle loader loading tool, as shown and described.

(52) **U.S. Cl.** **D22/108**

(58) **Field of Search** D22/100, 108,
D22/199; 42/51, 87, 90, 95, 96

DESCRIPTION

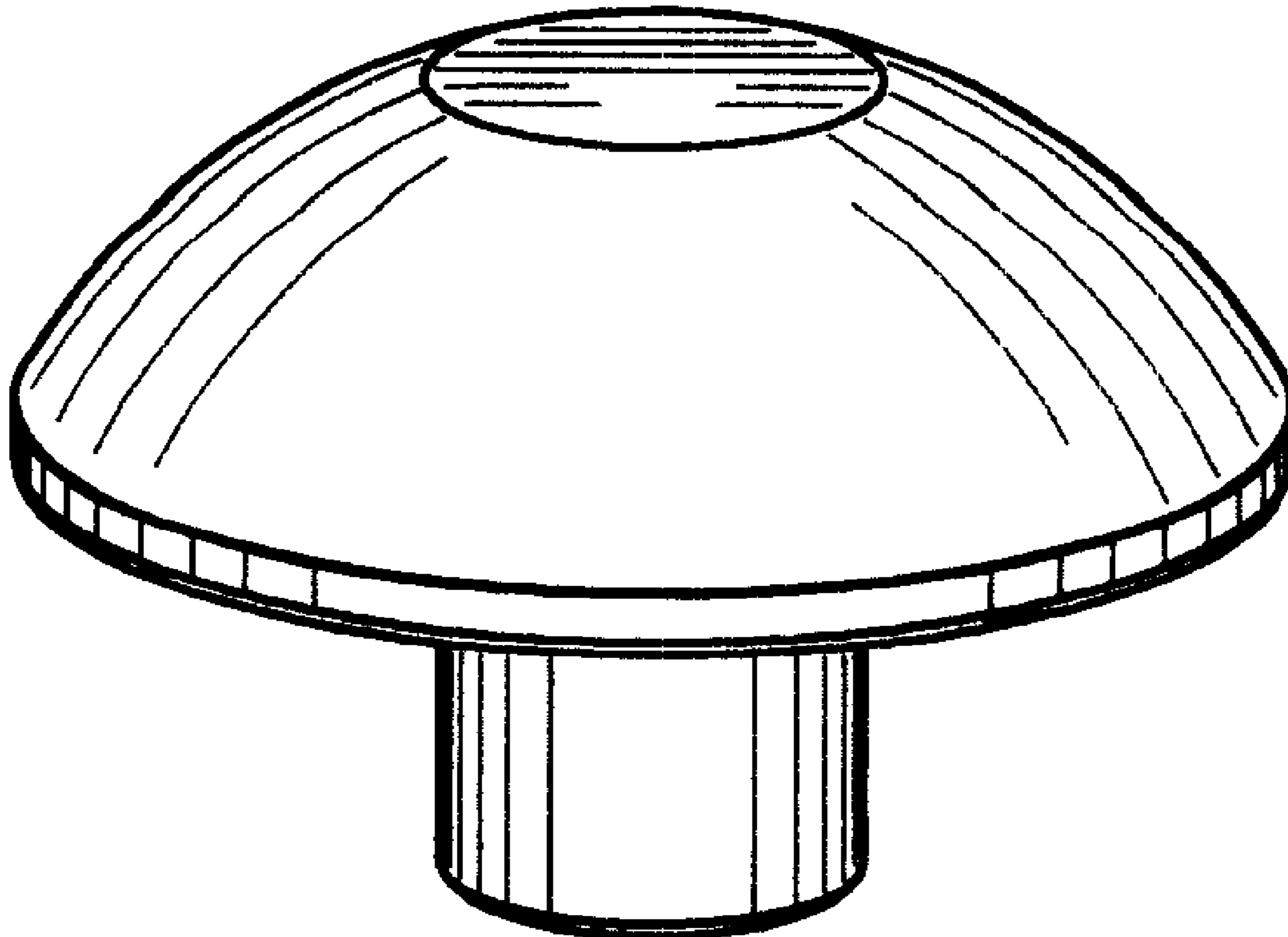
(56) **References Cited**

FIG. 1 is a perspective plan view of a muzzle loader loading tool showing my new design;
FIG. 2 is a perspective bottom view thereof;
FIG. 3 is a top plan view thereof;
FIG. 4 is a bottom plan view thereof; and,
FIG. 5 is a front elevational view thereof, the rear elevational view being a mirror image thereof, the right side elevational view being a mirror image thereof, and the left side elevational view being a mirror image thereof.

U.S. PATENT DOCUMENTS

163,404 A	*	5/1875	Phillips	42/90
3,208,302 A		9/1965	Lewis et al.		
4,229,897 A		10/1980	Snowden		
4,327,515 A		5/1982	Kuryn		
4,373,285 A	*	2/1983	Grout et al.	42/90
4,536,983 A	*	8/1985	Fry	42/90
4,601,125 A	*	7/1986	Curtis	42/90
4,817,321 A	*	4/1989	Clement	42/90
4,875,303 A		10/1989	DeWeert et al.		

1 Claim, 1 Drawing Sheet



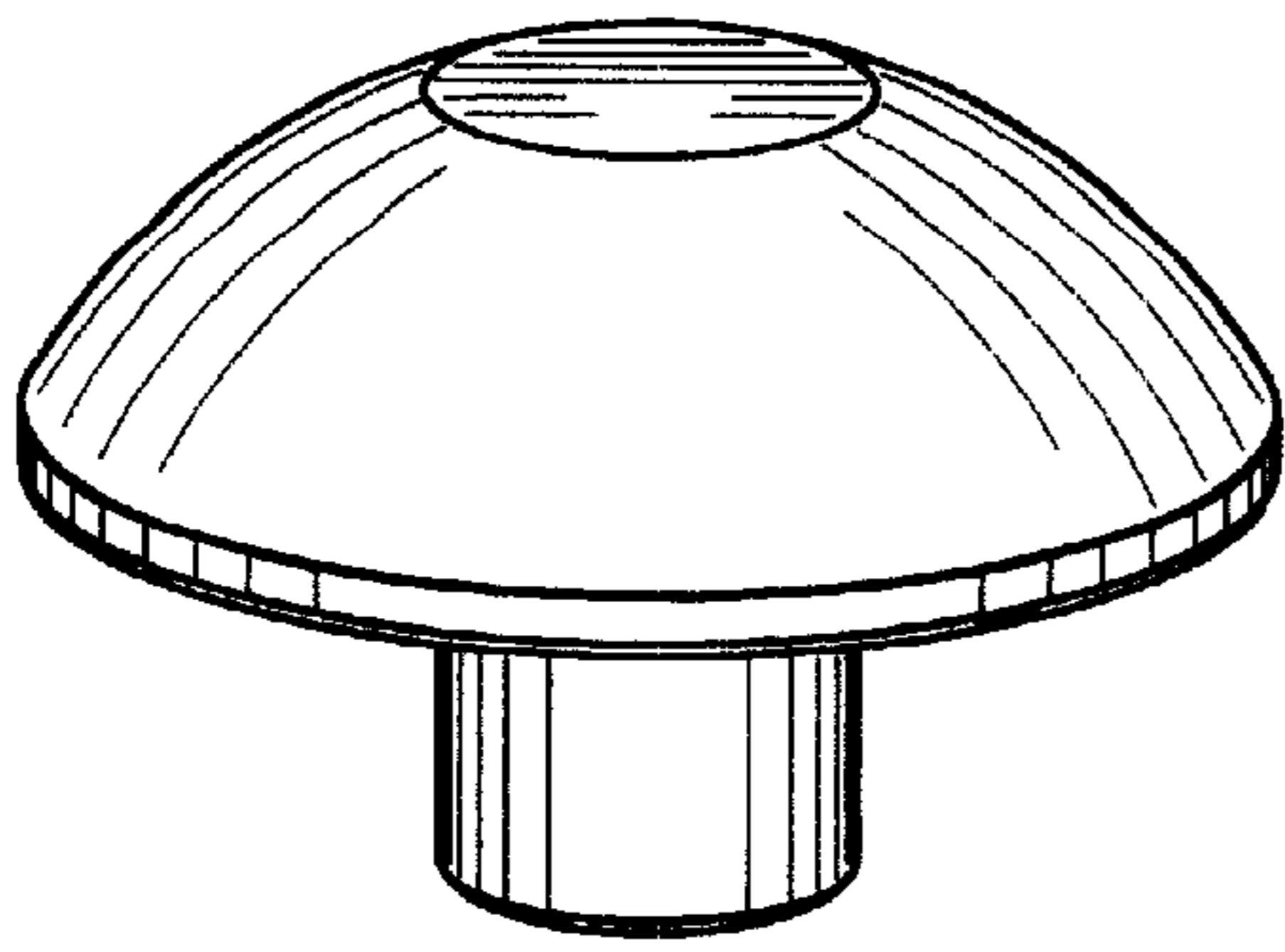


FIG. 1

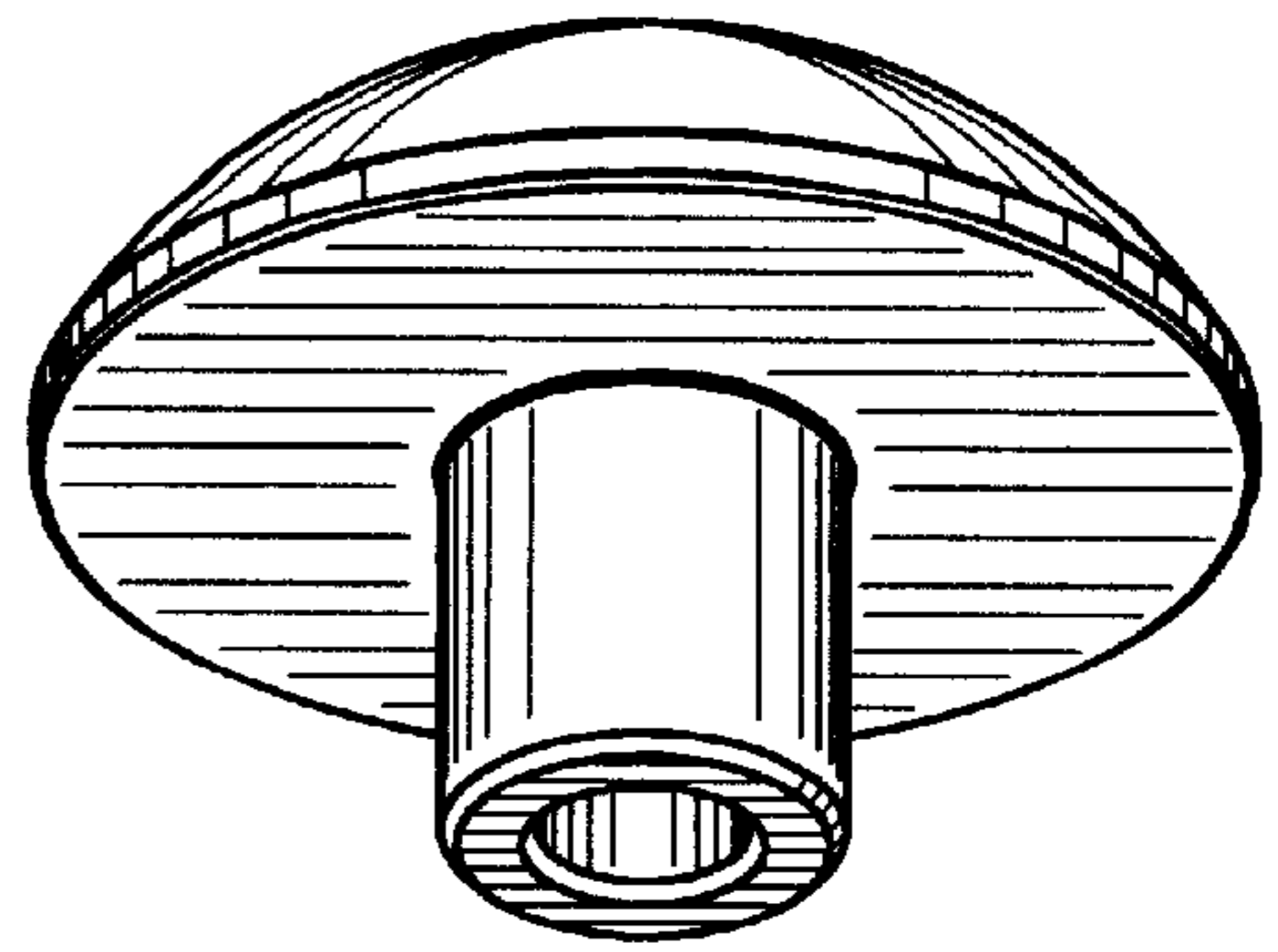


FIG. 2

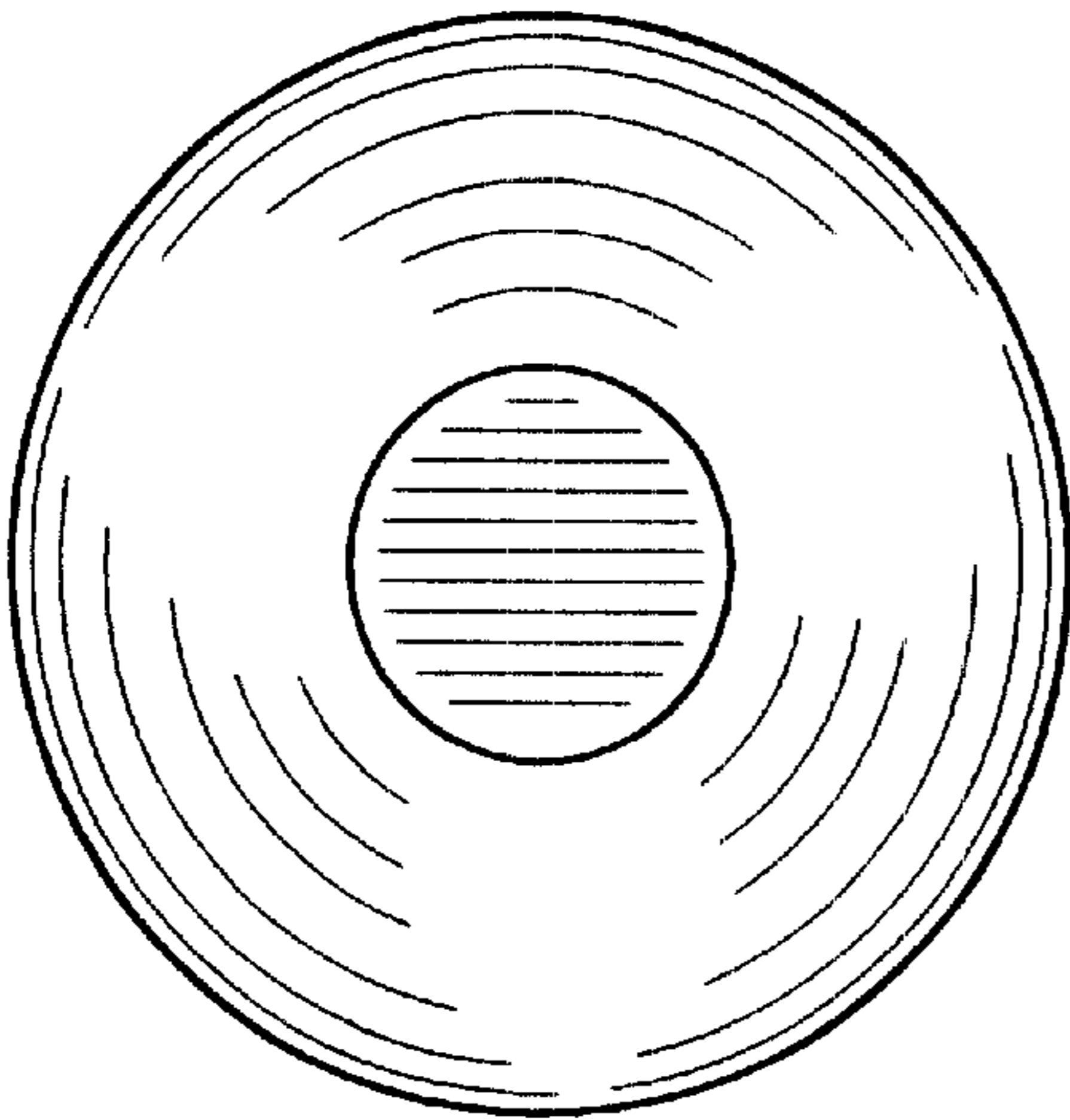


FIG. 3

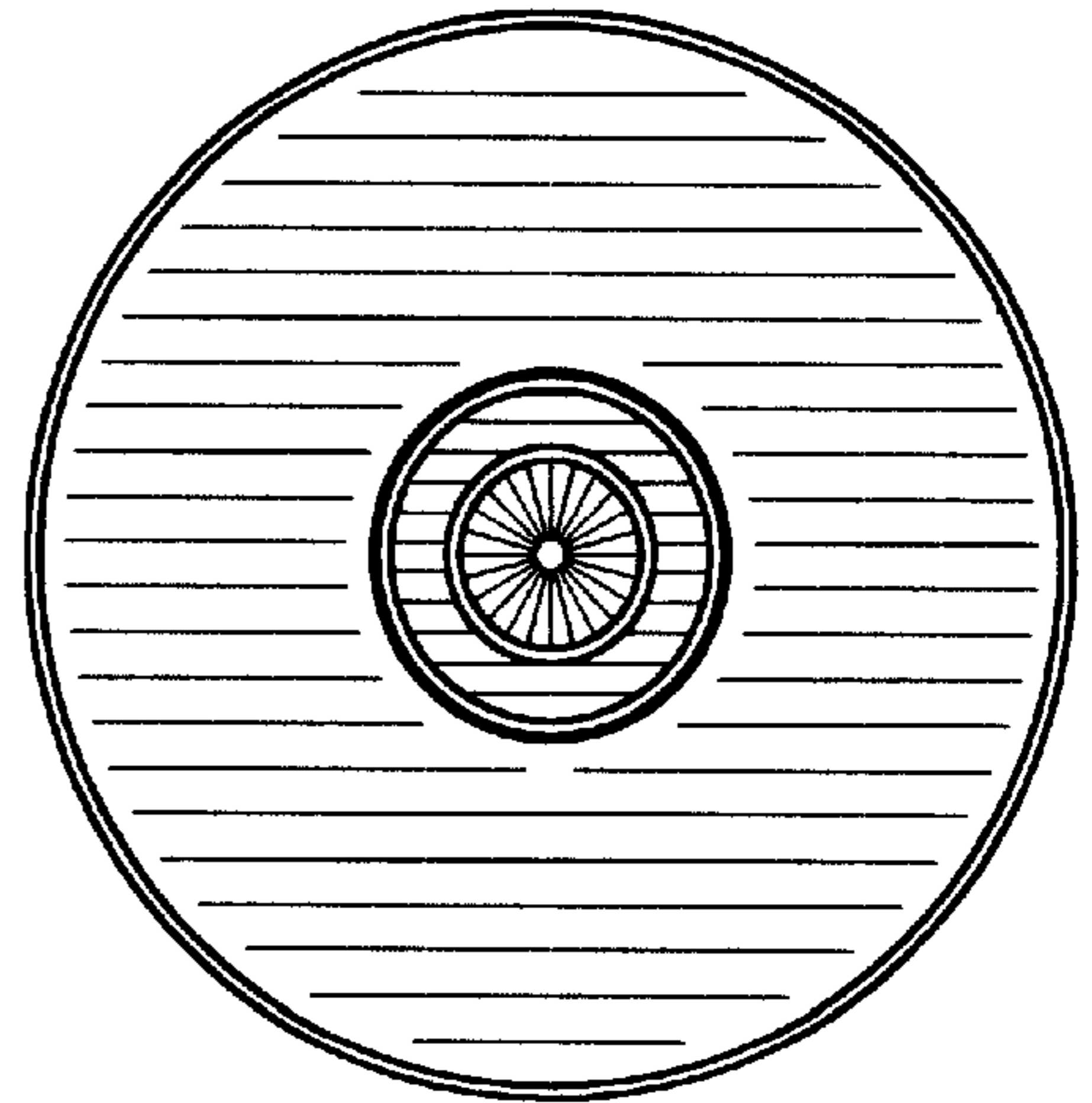


FIG. 4

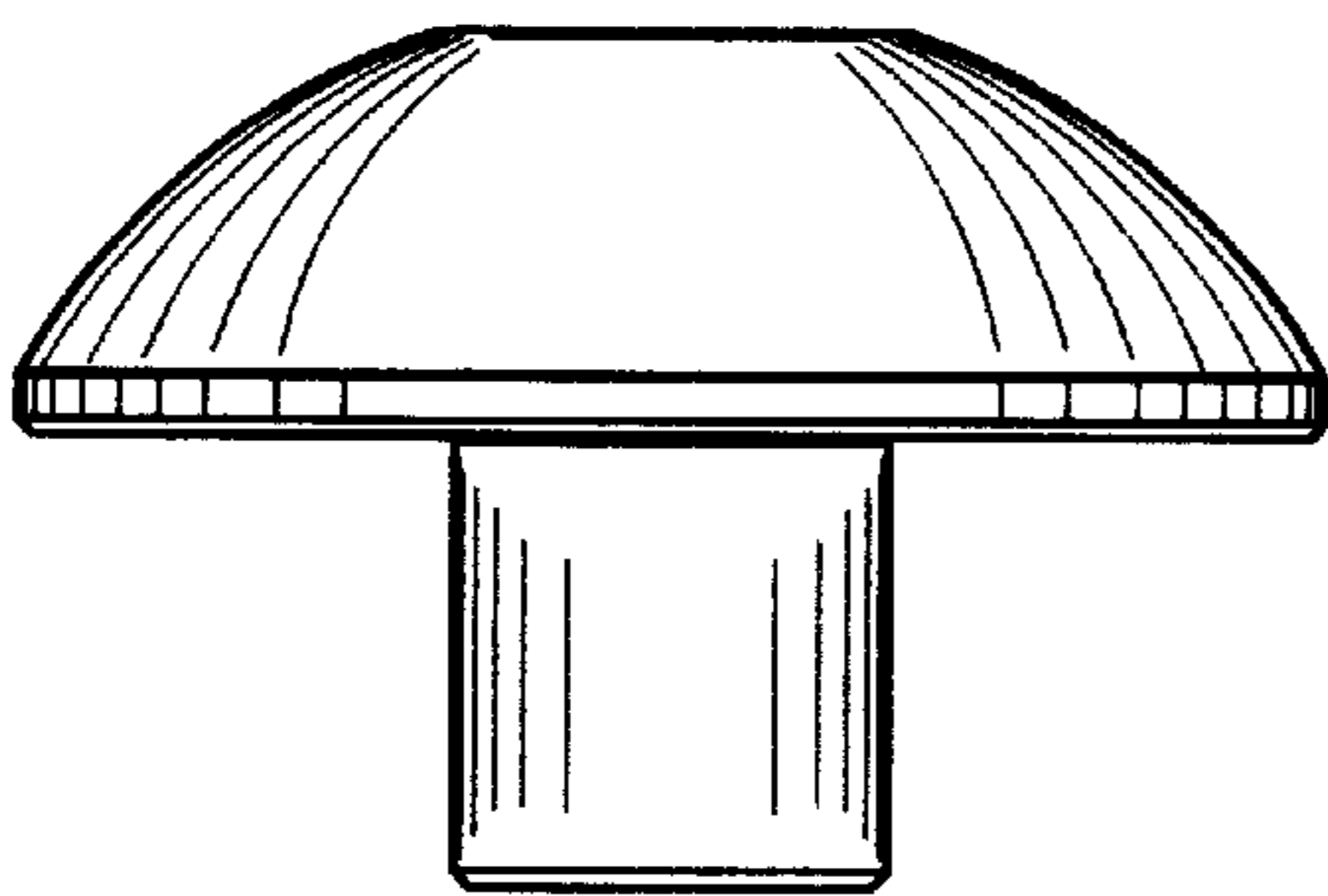


FIG. 5