



US00D471947S

(12) **United States Design Patent**
McGarry et al.

(10) **Patent No.:** **US D471,947 S**

(45) **Date of Patent:** **** Mar. 18, 2003**

(54) **RECEIVER FOR A GUN**

(75) Inventors: **James McGarry**, Prescott Valley, AZ (US); **William B. Ruger, Jr.**, Newport, NH (US)

(73) Assignee: **Sturm, Ruger & Company, Inc.**, Southport, CT (US)

(**) Term: **14 Years**

(21) Appl. No.: **29/154,878**

(22) Filed: **Jan. 30, 2002**

(51) **LOC (7) Cl.** **22-01**

(52) **U.S. Cl.** **D22/108**

(58) **Field of Search** D22/103, 108, D22/199; D21/573, 574, 575; 42/16, 101, 114, 117, 118, 75.01, 75.02, 75.03, 131; 89/128, 198, 199

(56) **References Cited**

U.S. PATENT DOCUMENTS

- 4,638,716 A * 1/1987 Goff et al. 89/199
- 5,452,534 A * 9/1995 Lambie 42/18
- 5,522,166 A * 6/1996 Martel 42/101
- D383,190 S * 9/1997 Lesenfants et al. D22/100 X
- 6,212,814 B1 * 4/2001 Lambie 42/75.03
- 6,293,040 B1 * 9/2001 Luth 89/128 X

OTHER PUBLICATIONS

Copy of catalog (undated) of Merkel Shotguns of Trussville, Alabama.

Copy of catalog (undated) of Merkel Shotguns of Trussville, Alabama.

Copy of catalog (undated) of SKB Shotguns of Omaha, Nebraska.

Copy of 2000 catalog of Merkel Shotguns of Trussville, Alabama.

* cited by examiner

Primary Examiner—Louis S. Zarfes

Assistant Examiner—Monica A. Weingart

(74) *Attorney, Agent, or Firm*—Pennie & Edmonds LLP

(57) **CLAIM**

The ornamental design for a receiver for a gun, as shown and described.

DESCRIPTION

FIG. 1 is a perspective view of a receiver for a gun according to the present invention with other parts of the gun shown in dashed lines and therefore not forming part of the claimed design;

FIG. 2 is a top view thereof;

FIG. 3 is a right side view thereof, the left side view being a mirror image thereof;

FIG. 4 is a close-up perspective view thereof, again with other parts of the gun shown in dashed lines and therefore not forming part of the claimed design;

FIG. 5 is a close-up top view thereof;

FIG. 6 is a close-up right side view thereof, the left side view being a mirror image thereof;

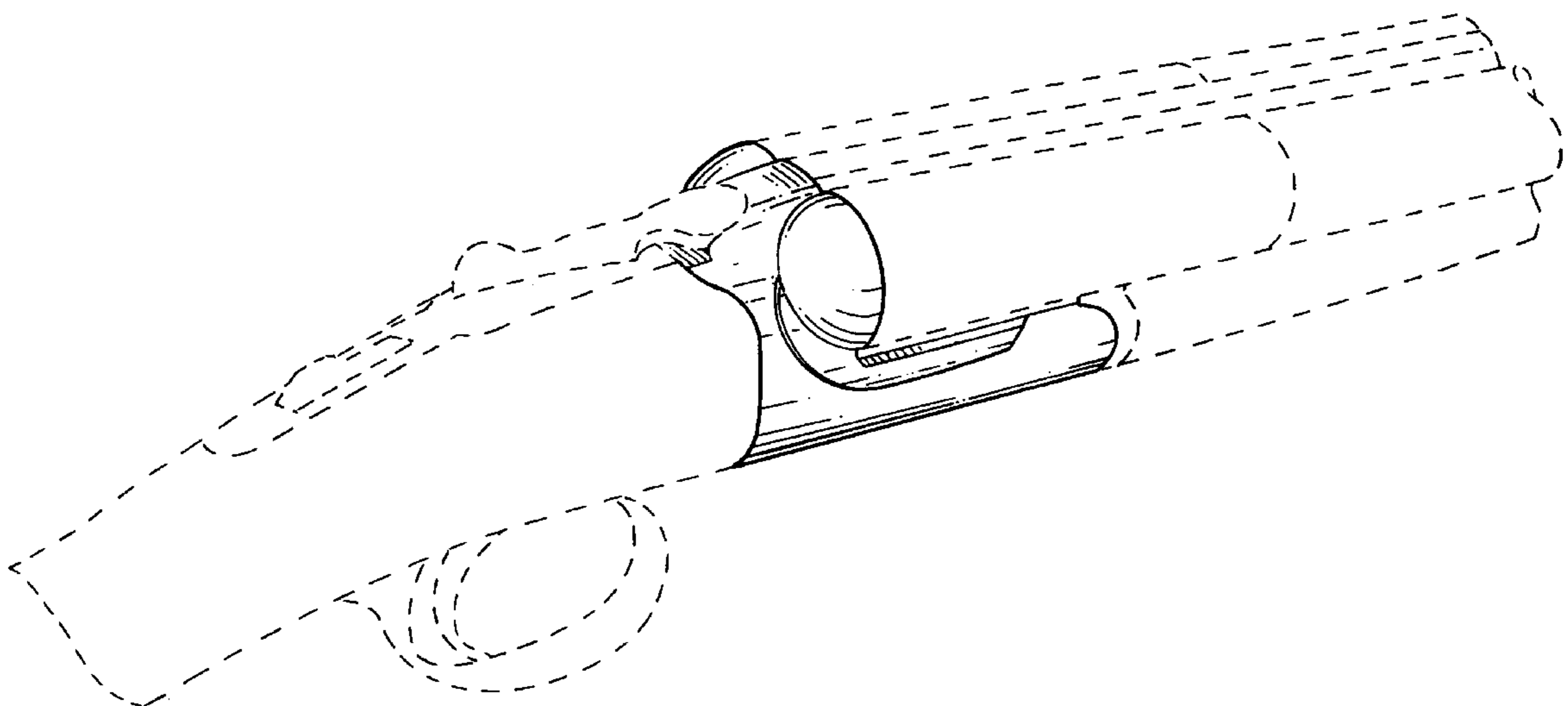
FIG. 7 is a close-up front view thereof;

FIG. 8 is a close-up rear view thereof; and,

FIG. 9 is a close-up bottom view thereof.

All broken lines in the above figures are for illustrative purposes only and form no part of the claimed design.

1 Claim, 8 Drawing Sheets



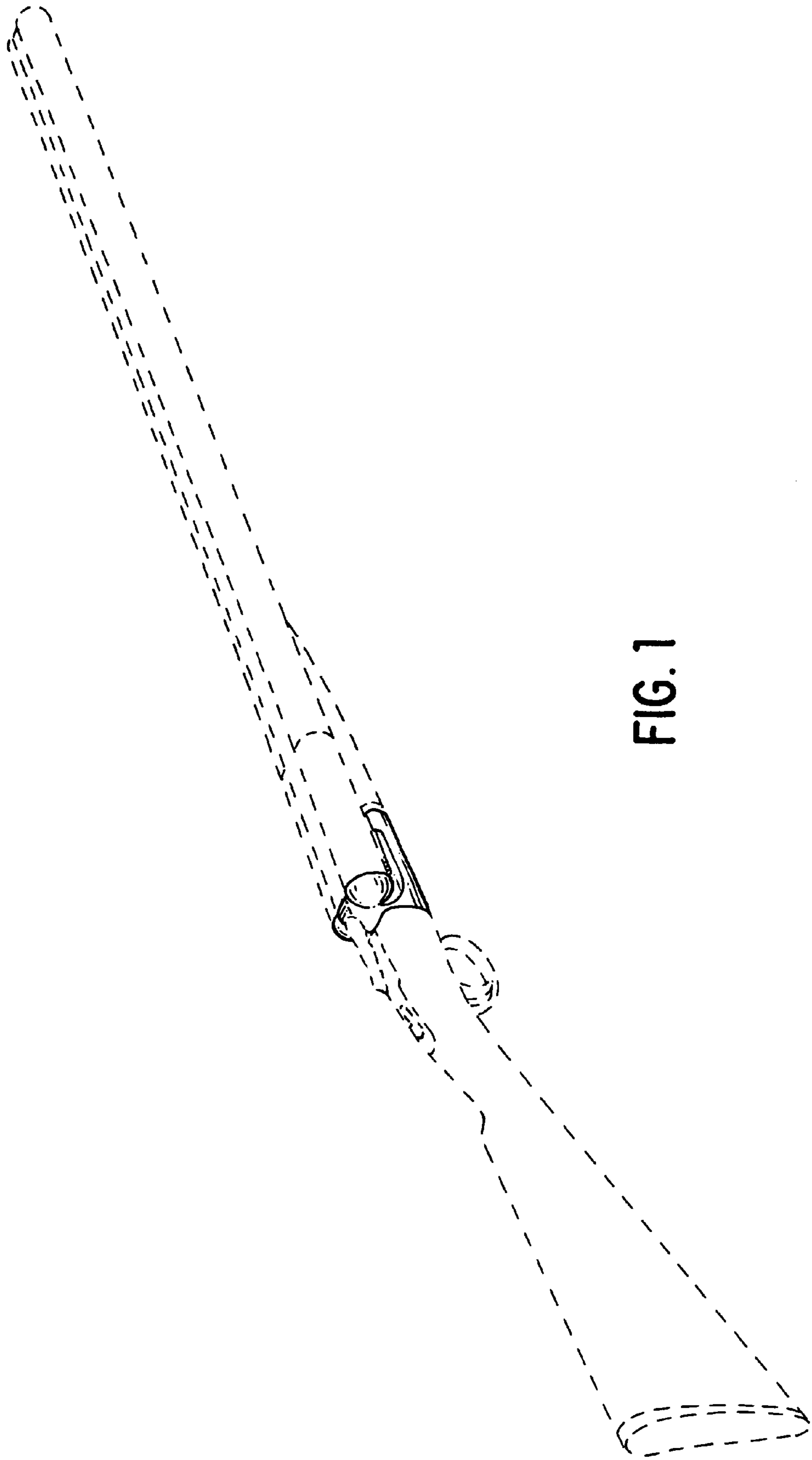


FIG. 1



FIG. 2

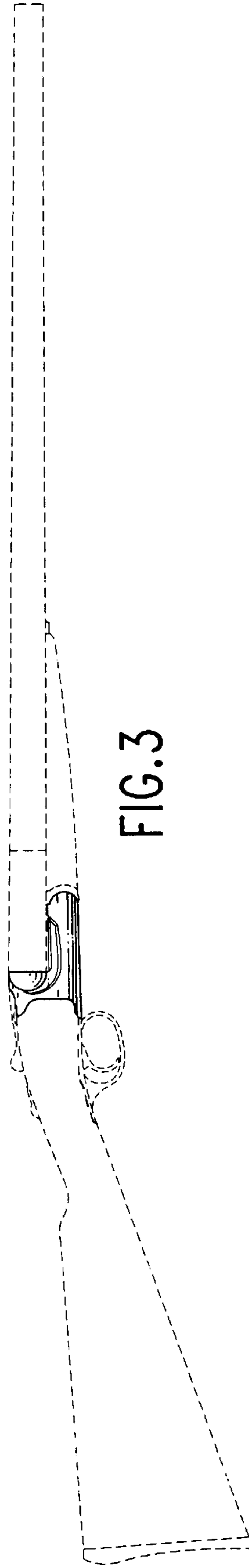


FIG. 3

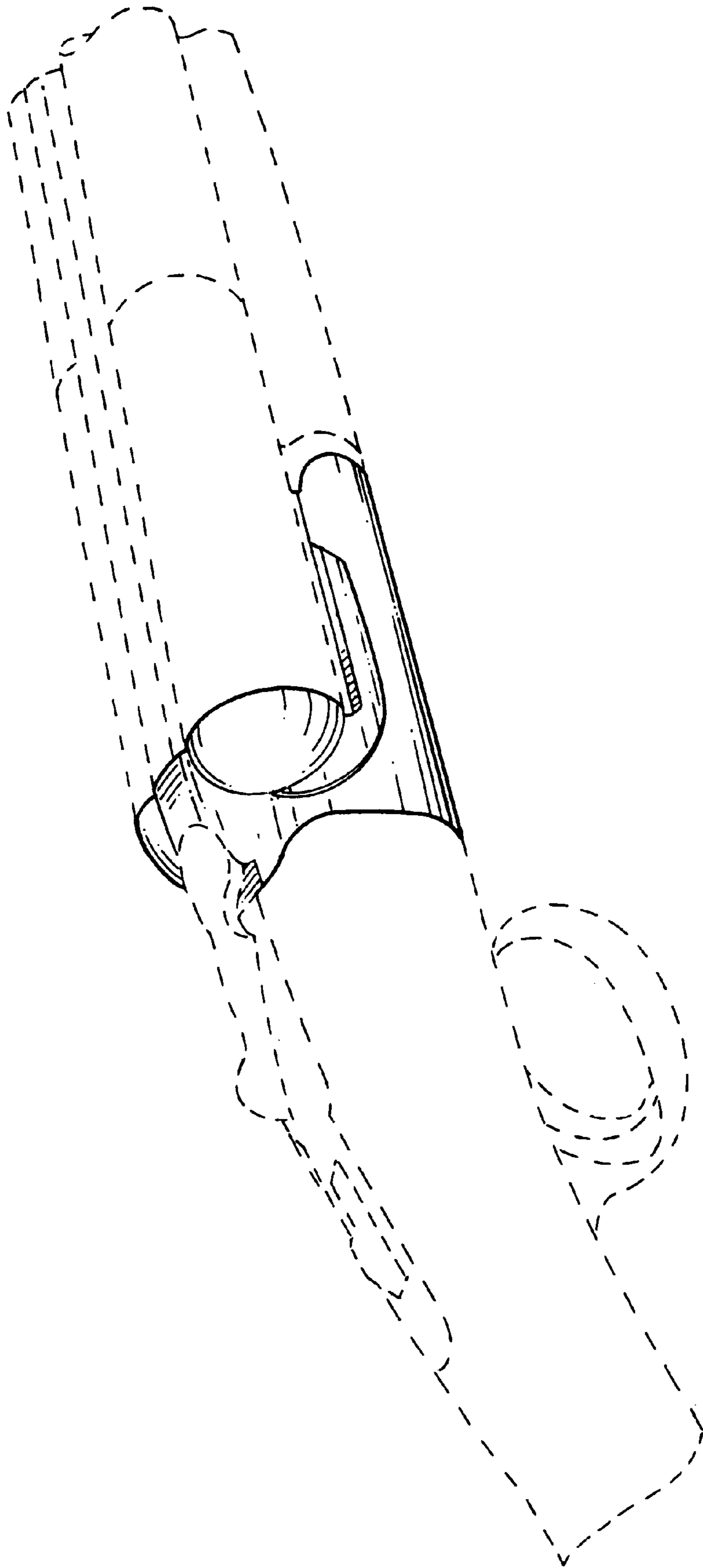


FIG. 4

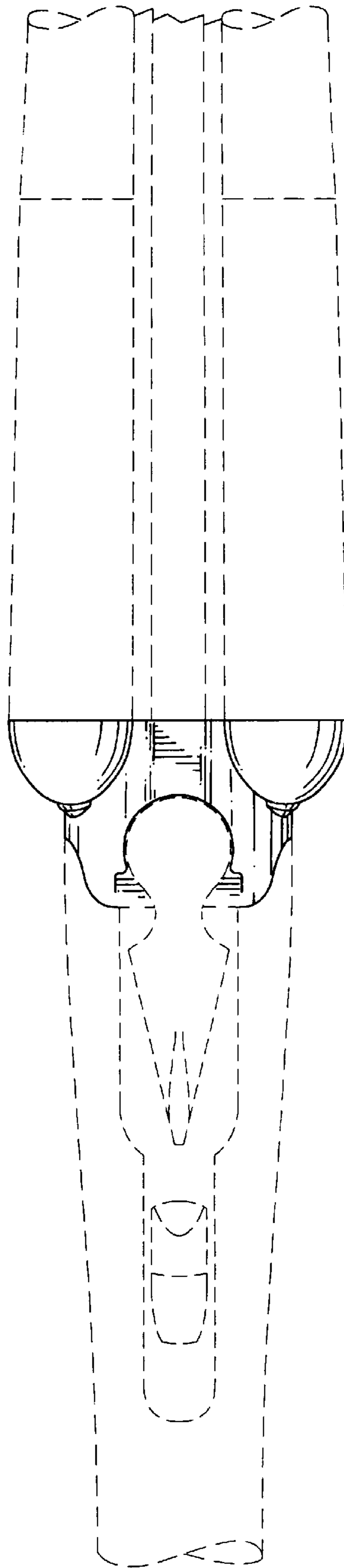


FIG. 5

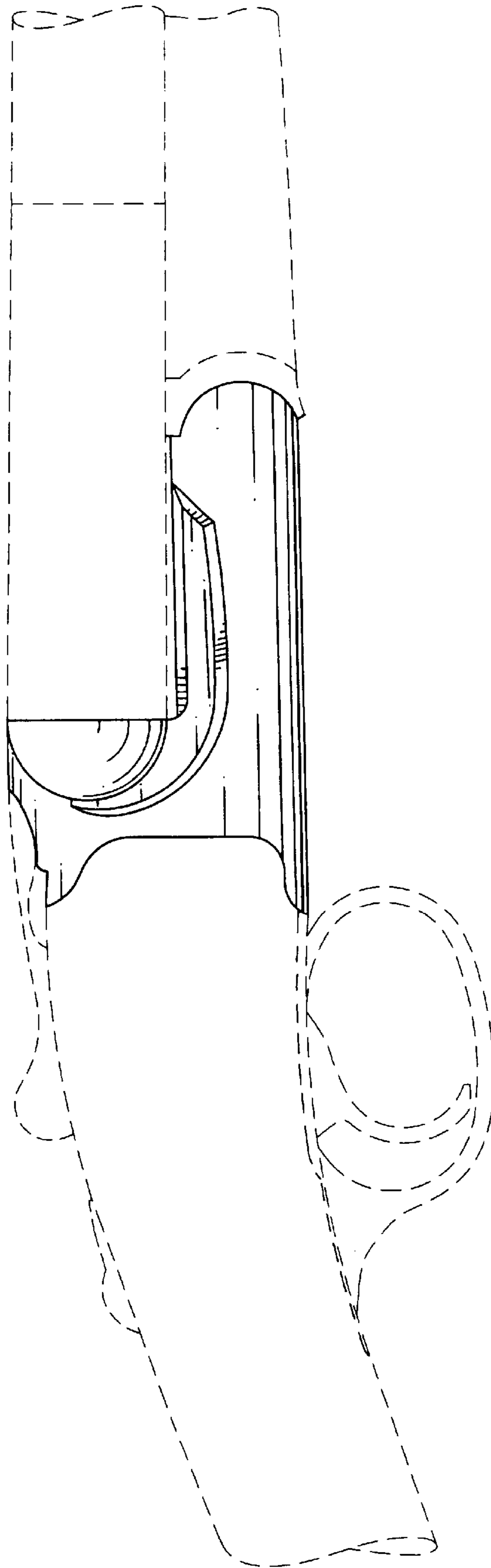


FIG. 6

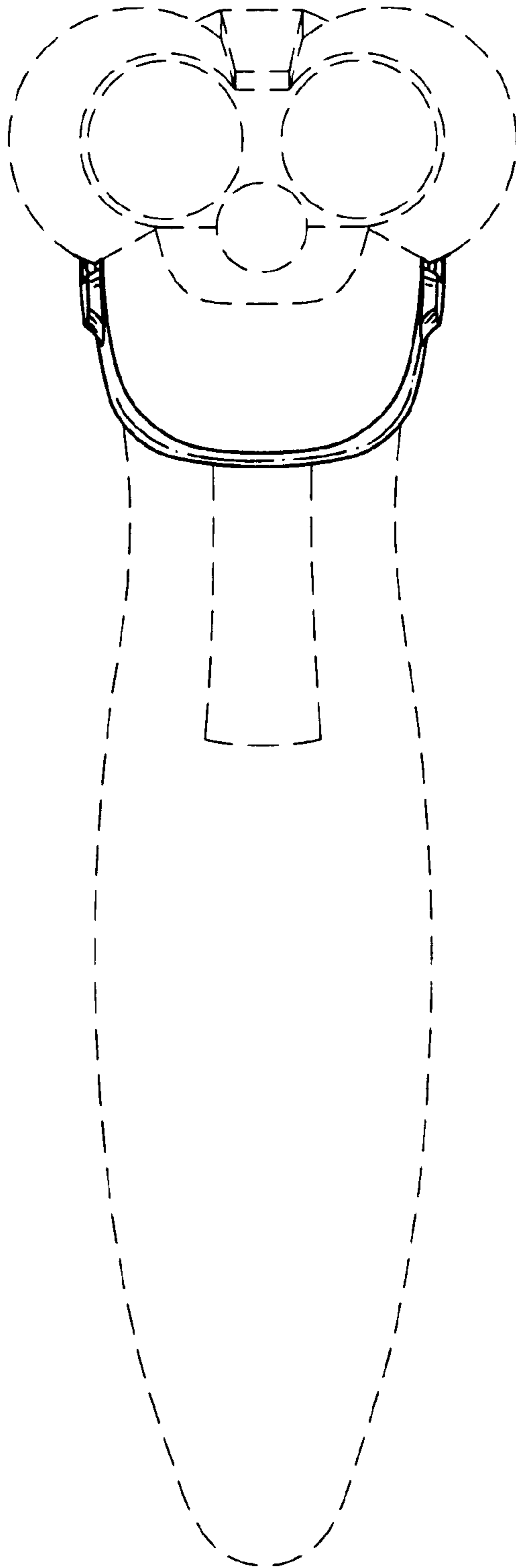


FIG.7

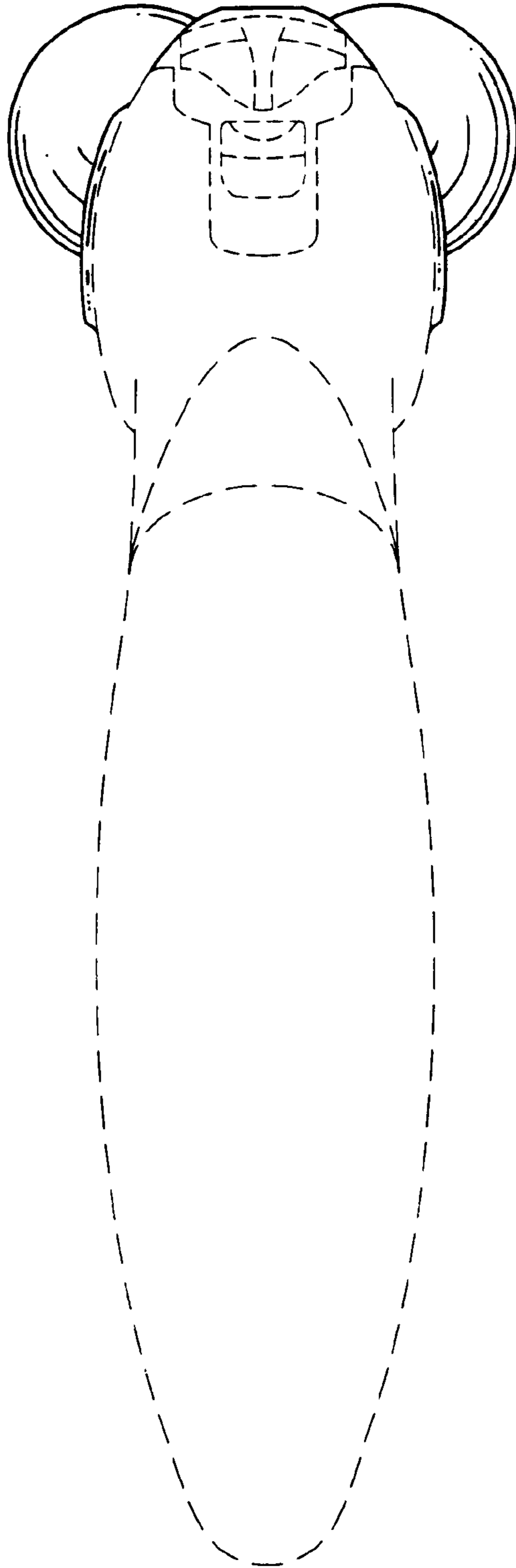


FIG.8

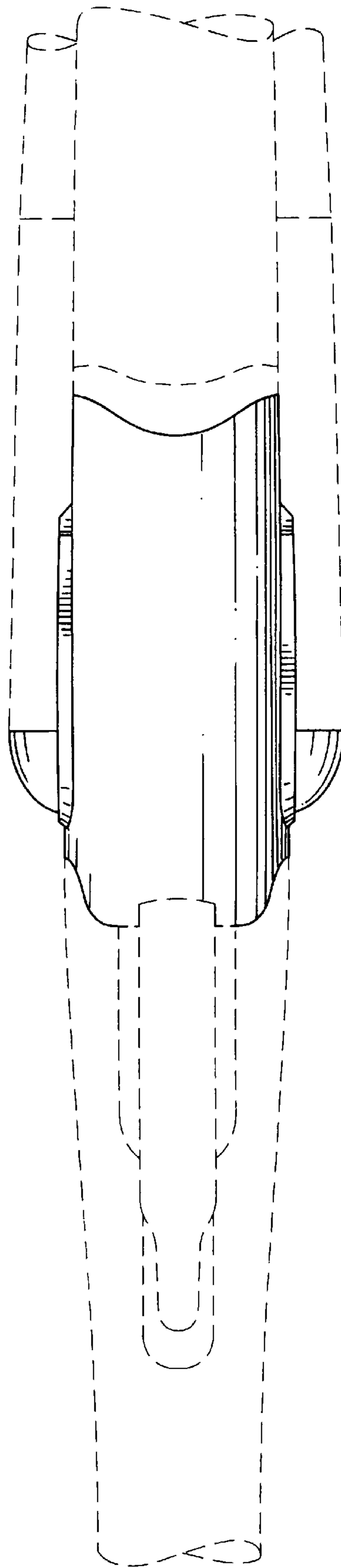


FIG. 9