



US00D471945S

(12) **United States Design Patent**
Ryerson et al.

(10) **Patent No.:** **US D471,945 S**

(45) **Date of Patent:** **** Mar. 18, 2003**

(54) **SWIMMER'S STARTING BLOCK**

(75) **Inventors:** **Carey Fredrick Ryerson**, Fort Collins, CO (US); **Leslie Calvin Hildenbrandt**, Windsor, CO (US); **Edeen Sarmast**, Windsor, CO (US); **Matthew Cathone**, Poughkeepsie, NY (US); **Scott A. Wisniewski**, Highland Falls, NY (US); **Thomas A. Saldarelli**, Yorktown Heights, NY (US)

(73) **Assignees:** **Colorado Time Systems, LLC**, Loveland, CO (US); **Paragon Aquatics, division of Pentair Pool Products, Inc.**, LaGraneville, NY (US)

(**) **Term:** **14 Years**

(21) **Appl. No.:** **29/162,311**

(22) **Filed:** **Jun. 13, 2002**

(51) **LOC (7) Cl.** **21-02**

(52) **U.S. Cl.** **D21/802**

(58) **Field of Search** D21/801, 802,
D21/803; D25/2; 434/254; 482/56, 30,
31, 32

(56) **References Cited**

U.S. PATENT DOCUMENTS

D202,546 S	*	10/1965	French	D21/802
3,809,392 A	*	5/1974	Kral, Jr.	482/56
3,916,214 A	*	10/1975	Coble, Jr. et al.		
D240,811 S	*	8/1976	Beall	D21/802
4,780,085 A	*	10/1988	Malone	434/254
6,247,935 B1	*	6/2001	Martin et al.	434/254

* cited by examiner

Primary Examiner—Lucy Lieberman

(74) *Attorney, Agent, or Firm*—Pearne & Gordon LLP

(57) **CLAIM**

The ornamental design for a swimmer's starting block, as shown and described.

DESCRIPTION

FIG. 1 is a perspective view of a swimmer's starting block, showing our new design.

FIG. 2 is a top view thereof.

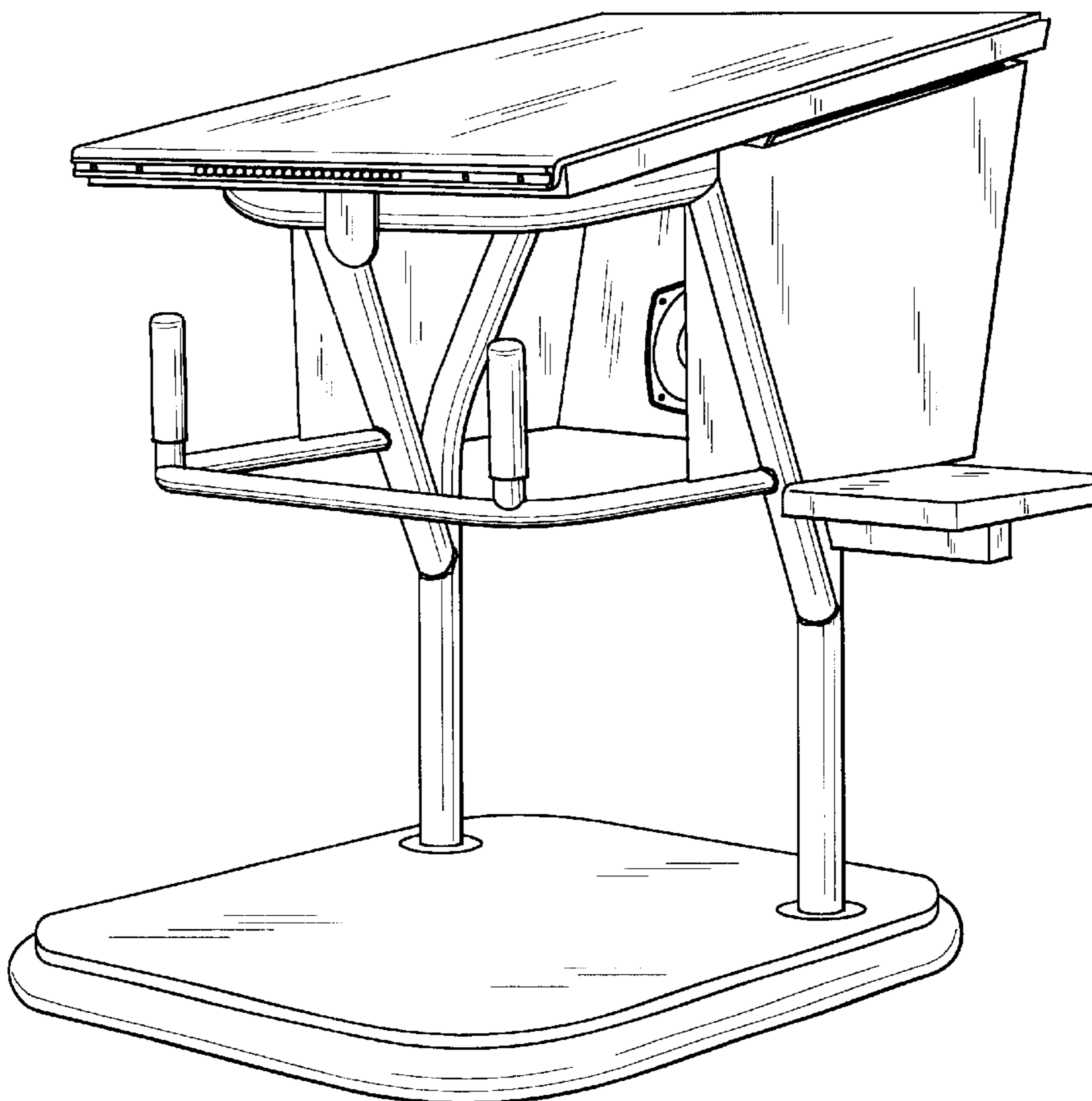
FIG. 3 is a front view thereof.

FIG. 4 is a side view thereof.

FIG. 5 is a rear view thereof; and,

FIG. 6 is an opposite side view thereof.

1 Claim, 4 Drawing Sheets



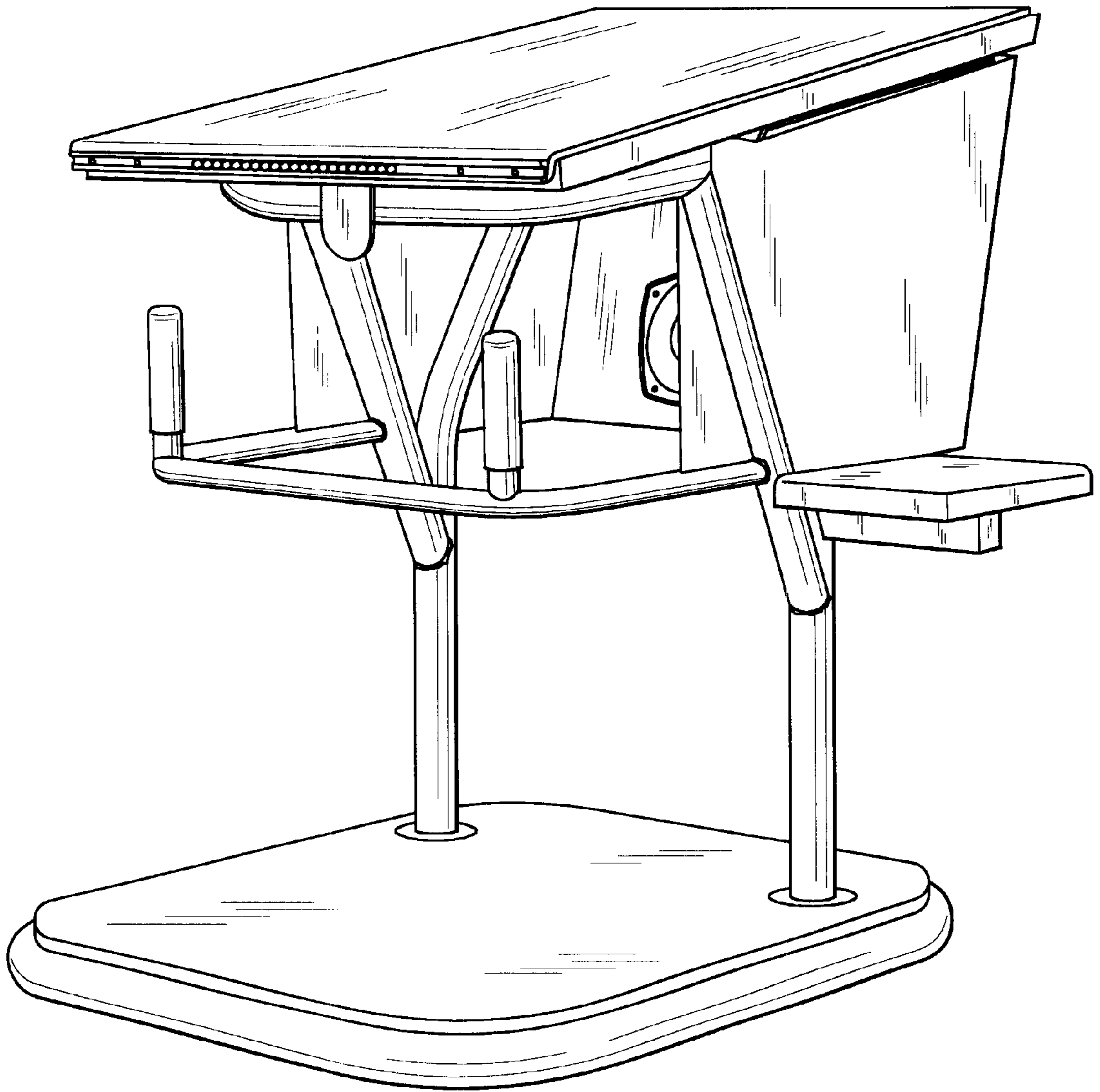


FIG. 1

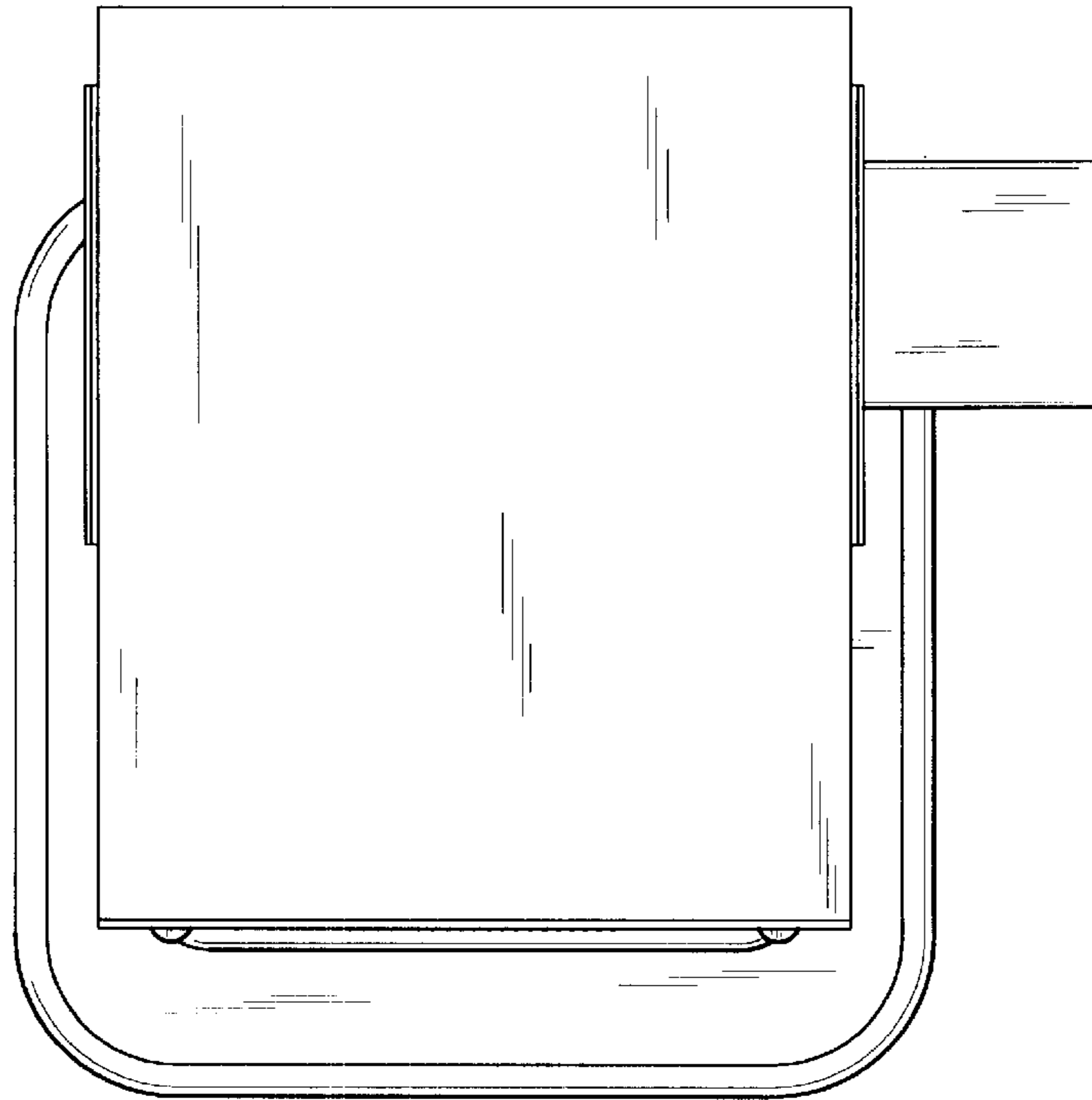


FIG. 2

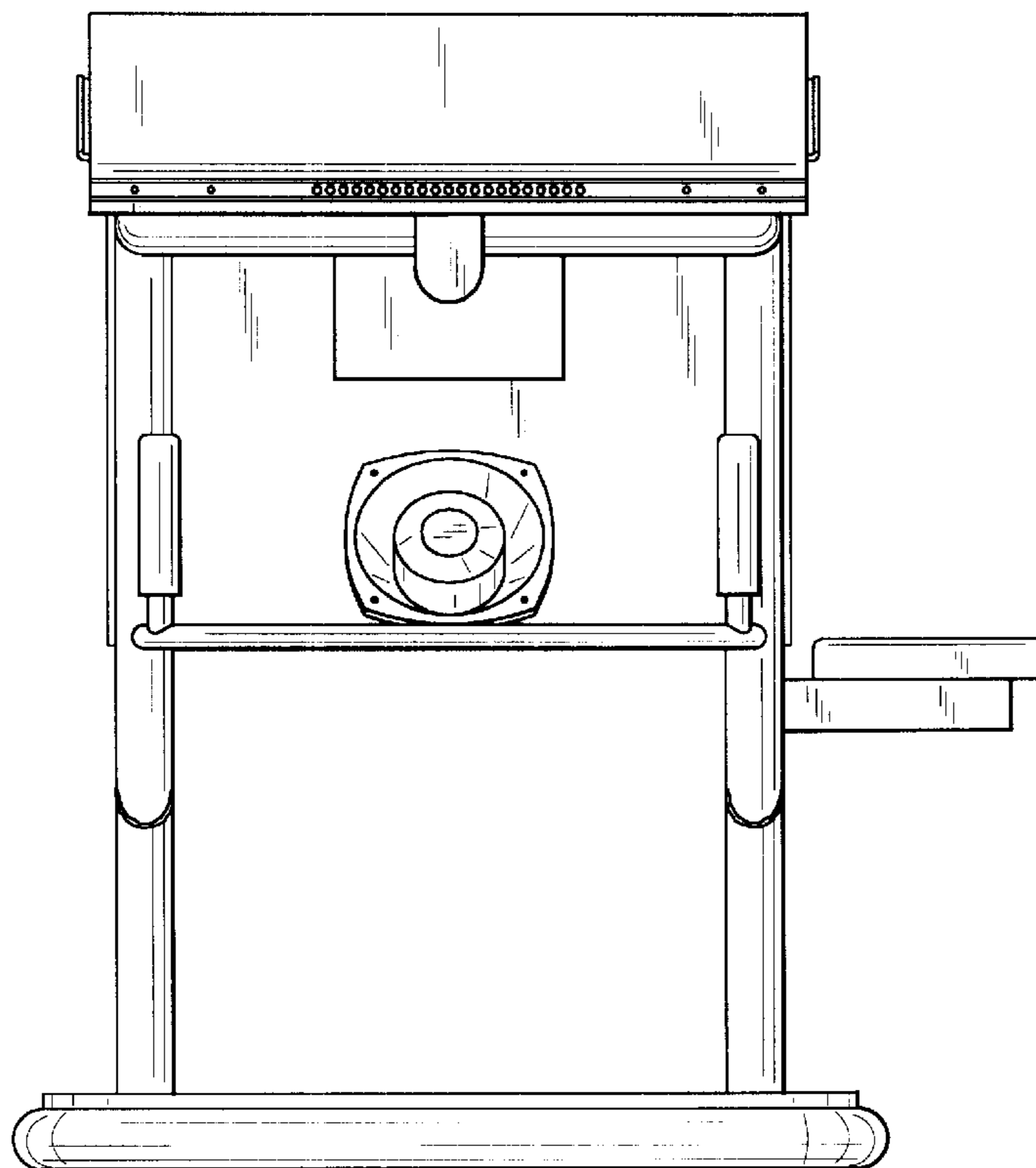


FIG. 3

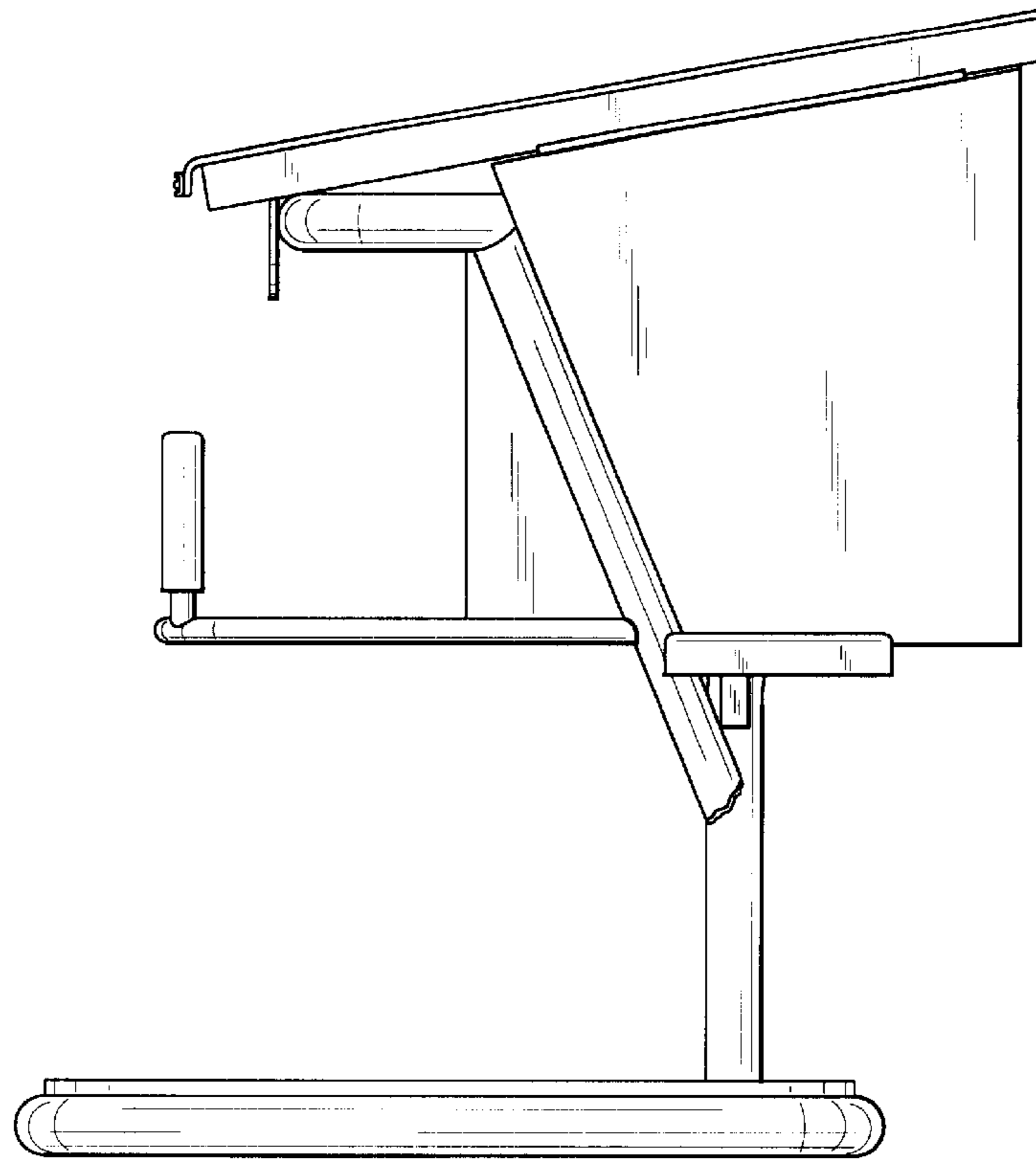


FIG. 4

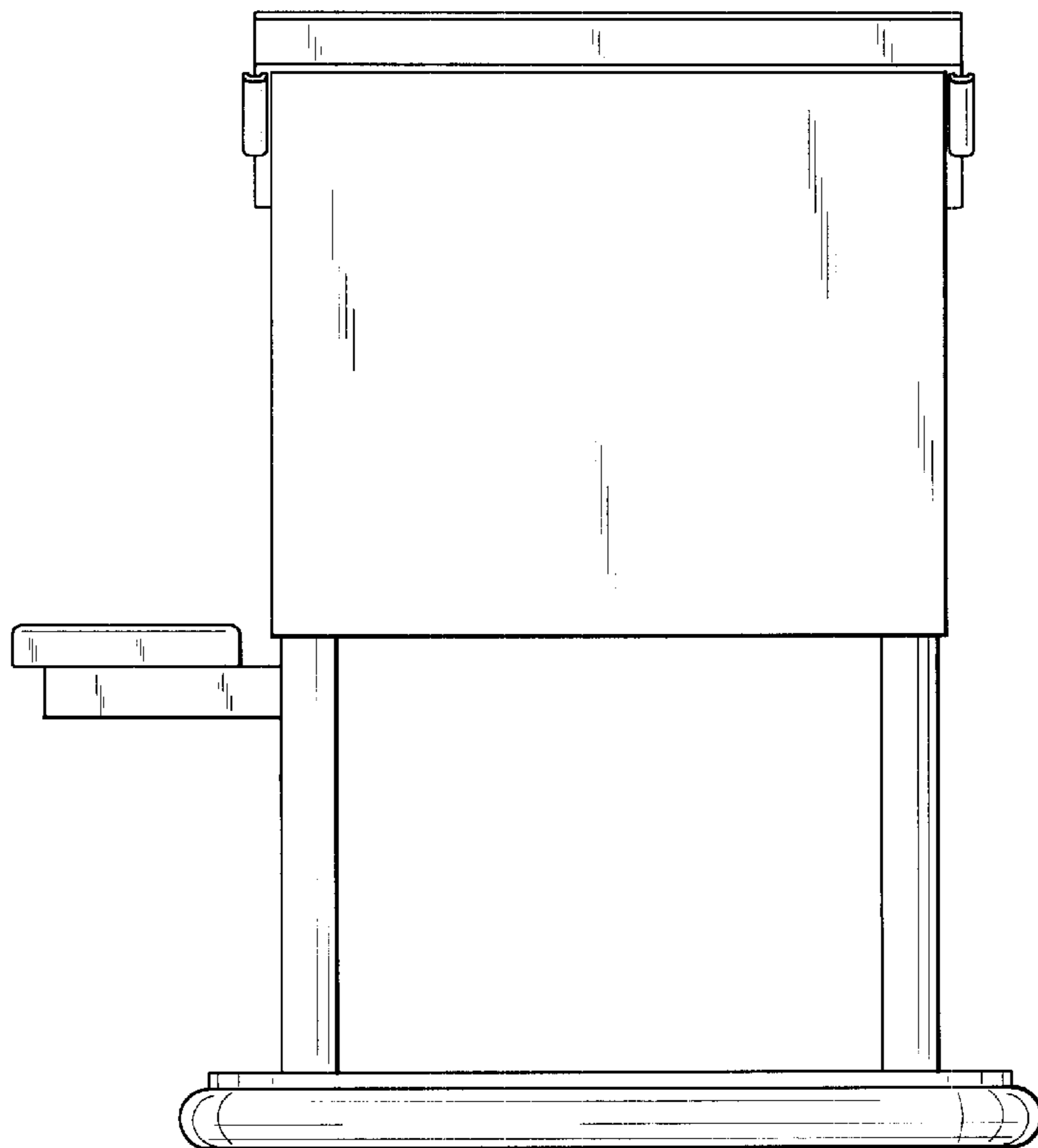


FIG. 5

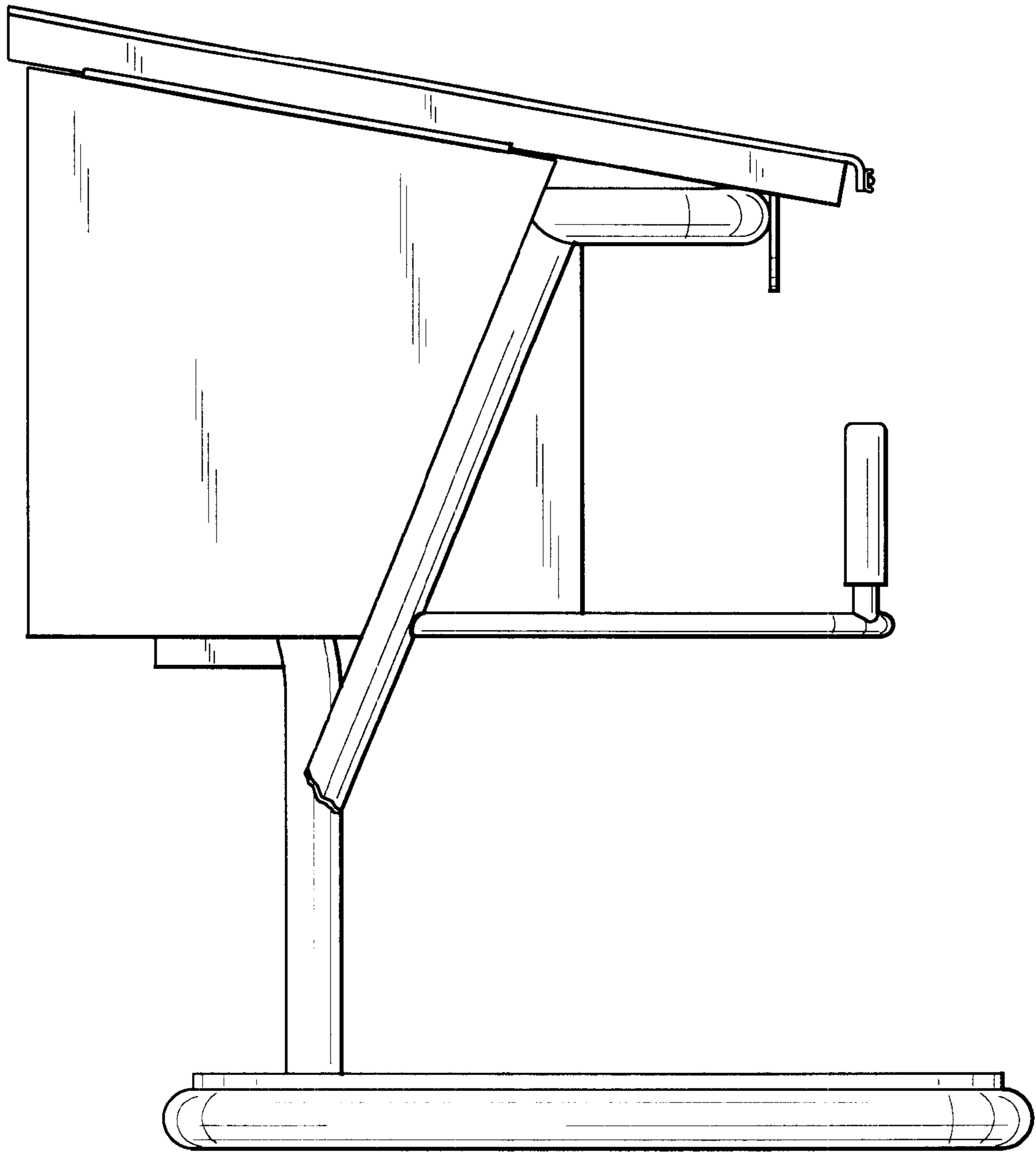


FIG. 6