



US00D471942S

(12) **United States Design Patent**  
**Love**

(10) **Patent No.:** **US D471,942 S**

(45) **Date of Patent:** **\*\* Mar. 18, 2003**

(54) **SKATER'S SUPPORT**

(76) **Inventor:** **Brian Love**, P.O. Box 117, King City,  
Ontario (CA), L7B 1A4

(\*\*) **Term:** **14 Years**

(21) **Appl. No.:** **29/162,243**

(22) **Filed:** **Jun. 13, 2002**

(30) **Foreign Application Priority Data**

Jan. 25, 2002 (CA) ..... 2002-0237

(51) **LOC (7) Cl.** ..... **21-02**

(52) **U.S. Cl.** ..... **D21/771**

(58) **Field of Search** ..... D21/771, 760,  
D21/763, 775; D12/130, 133; D3/7, 9;  
280/11.2, 11.18, 11.22, 818, 809, 811, 87.021,  
87.041, 87.051; 482/71; 434/253

(56) **References Cited**

**U.S. PATENT DOCUMENTS**

3,695,609 A \* 10/1972 Rothe

D323,692 S \* 2/1992 Lukowski

D357,522 S \* 4/1995 Garneau

D388,854 S \* 1/1998 Love

\* cited by examiner

*Primary Examiner*—Raphael Barkai

(74) *Attorney, Agent, or Firm*—Sim & McBurney

(57) **CLAIM**

The ornamental design for a skater's support, as shown.

**DESCRIPTION**

FIG. 1 is a perspective view of a skater's support showing my design, taken from in front and to one side, looking down obliquely;

FIG. 2 is a top plan view thereof;

FIG. 3 is a side elevational view thereof, the elevational view from the other side being a mirror image;

FIG. 4 is a front end view thereof; and,

FIG. 5 is a rear elevational view thereof.

**1 Claim, 3 Drawing Sheets**

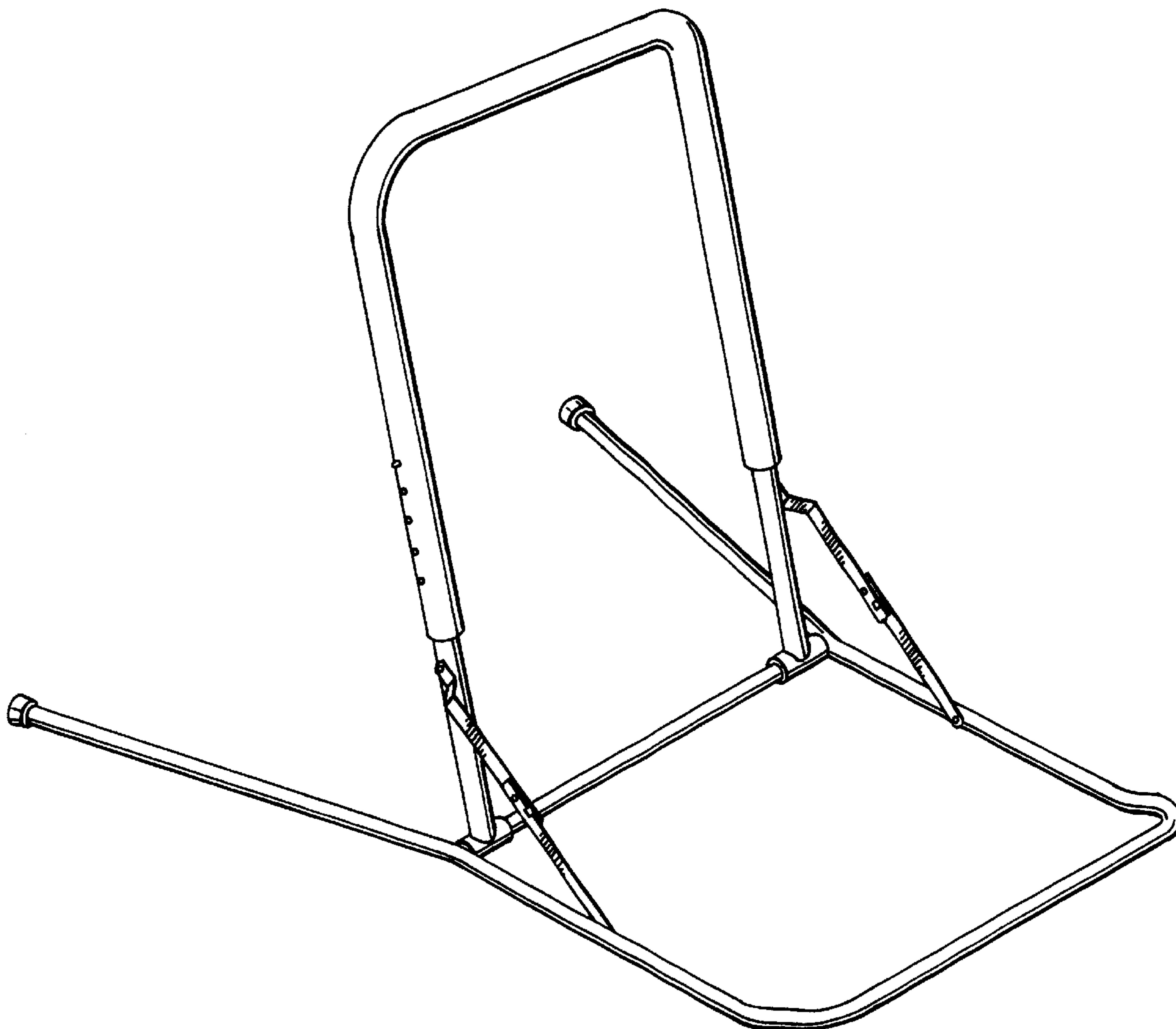
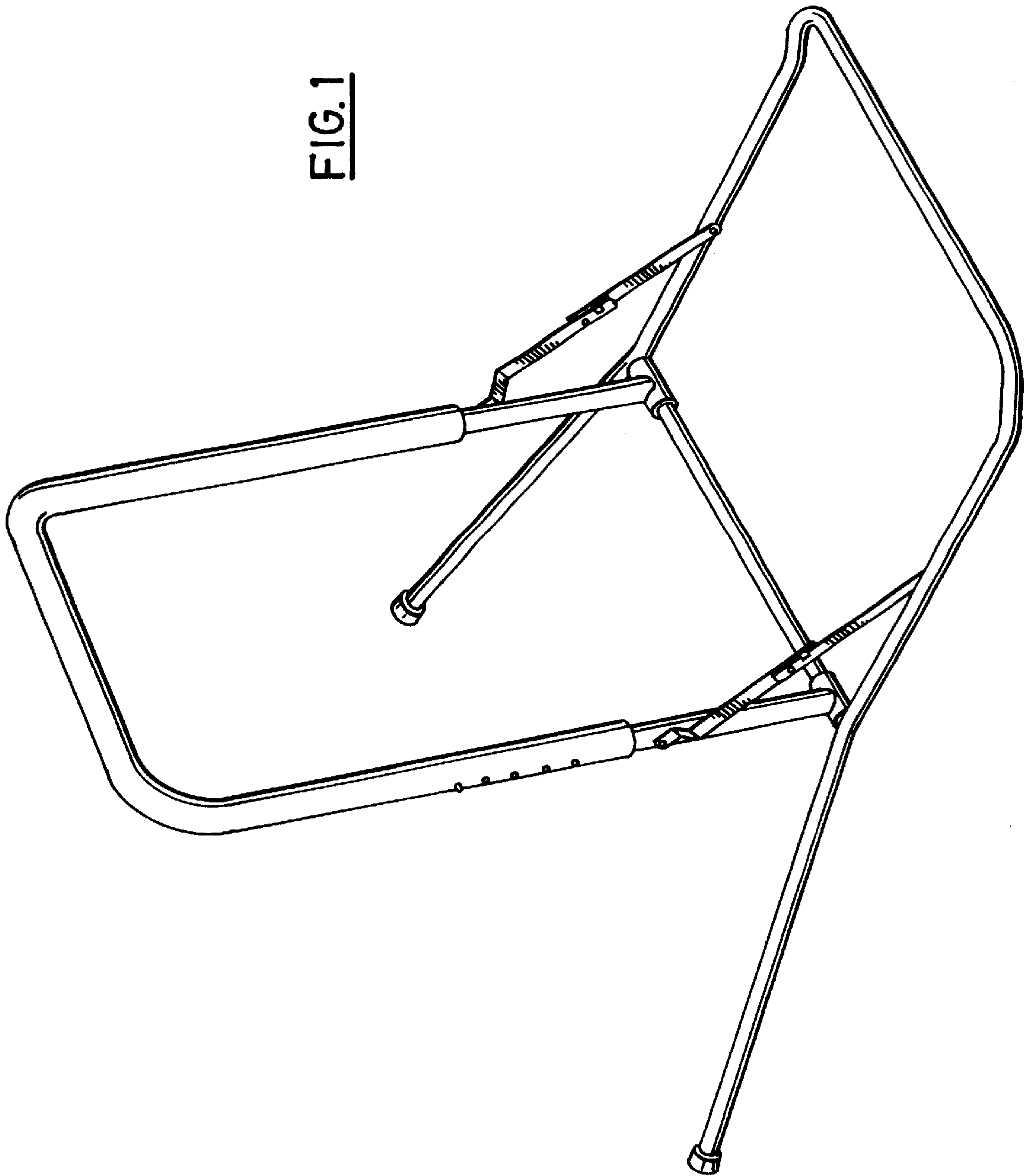


FIG. 1



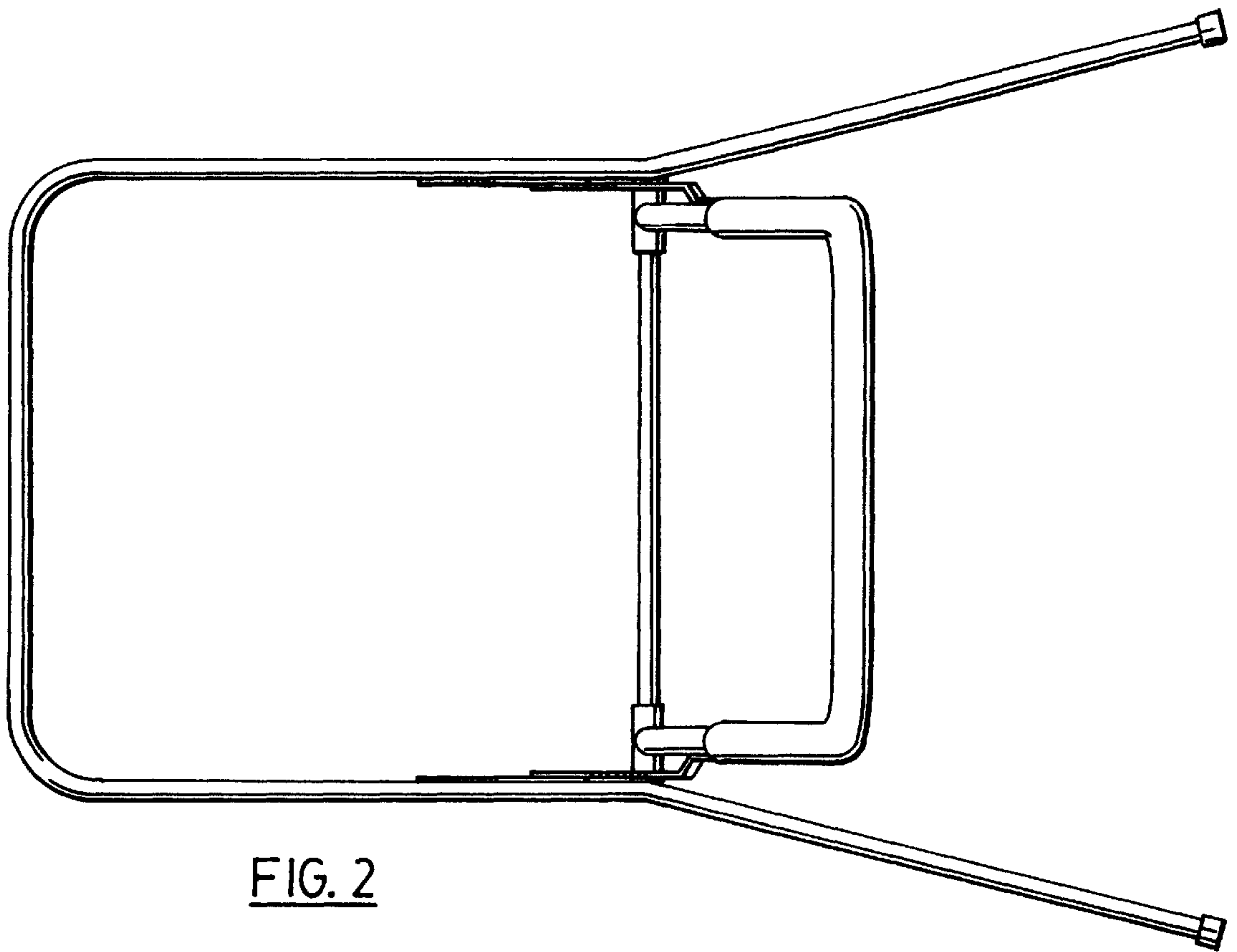


FIG. 2

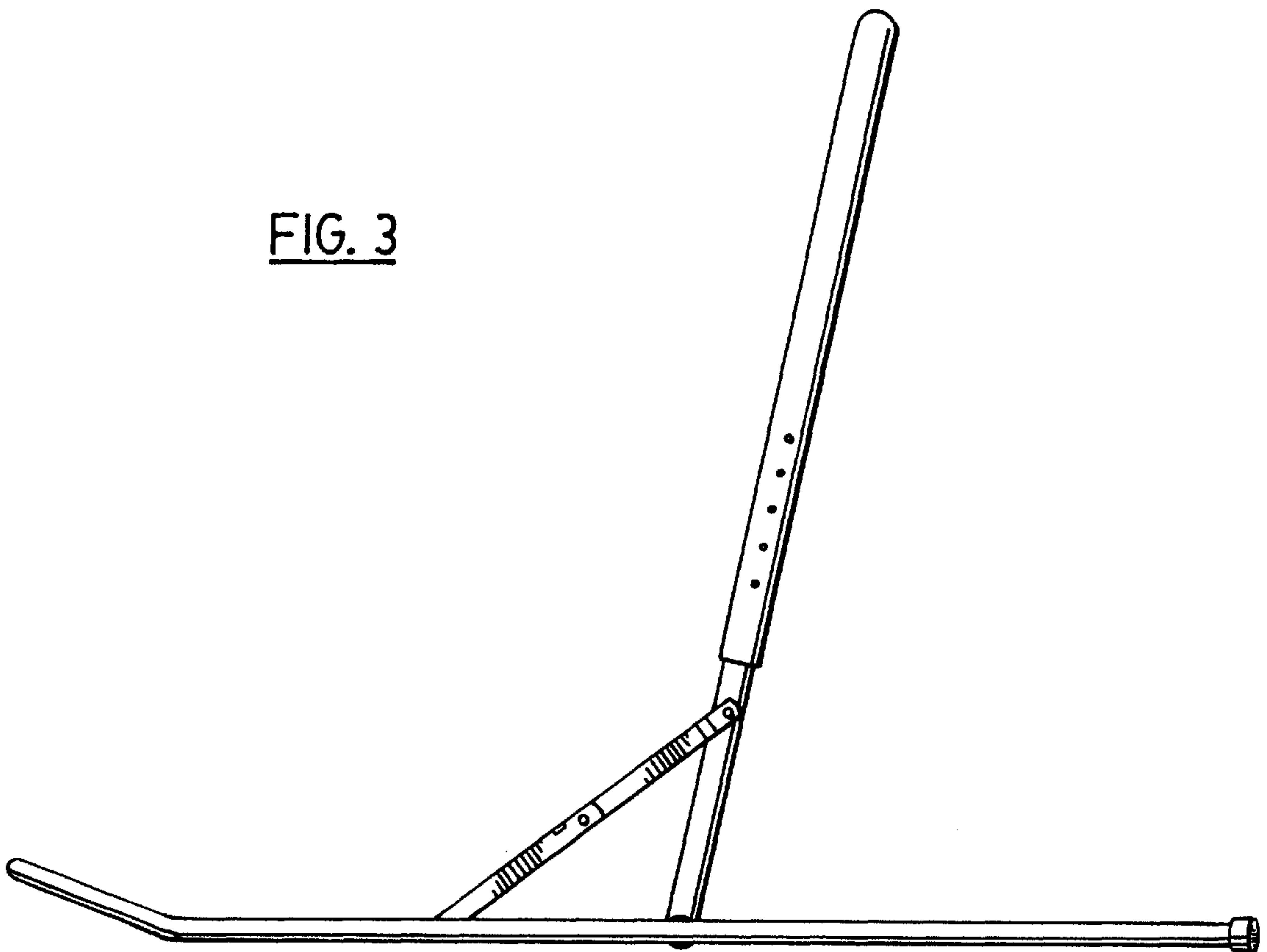


FIG. 3

