



US00D471936S

(12) **United States Design Patent**
Tilbor et al.

(10) **Patent No.:** **US D471,936 S**

(45) **Date of Patent:** **** Mar. 18, 2003**

(54) **TOY VEHICLE**

(75) Inventors: **Neil Tilbor**, New Smyrna Beach, FL
(US); **Michael G. Hetman**, New
Smyrna Beach, FL (US)

(73) Assignee: **Leynian Ltd. Co.**, New Smyrna Beach,
FL (US)

(**) Term: **14 Years**

(21) Appl. No.: **29/162,935**

(22) Filed: **Jun. 24, 2002**

(51) **LOC (7) Cl.** **21-01**

(52) **U.S. Cl.** **D21/433; D21/551**

(58) **Field of Search** D21/419-435,
D21/533, 534, 548-551, 561-563; D12/87,
88; 446/160, 447, 428, 456, 465, 470; 280/1.13,
87.01, 87.02, 87.041, 828, 775

(56) **References Cited**

U.S. PATENT DOCUMENTS

- 4,629,023 A * 12/1986 Carpanelli et al. 280/775
- D311,994 S * 11/1990 Tsuji
- D359,082 S * 6/1995 Aker et al.

- D368,743 S * 4/1996 Amburgey et al.
- D397,380 S * 8/1998 Araki et al. D21/137
- D432,186 S * 10/2000 Ruo D21/433

* cited by examiner

Primary Examiner—Raphael Barkai

(74) *Attorney, Agent, or Firm*—Keusey, Tutunjian &
Bitetto, P.C.

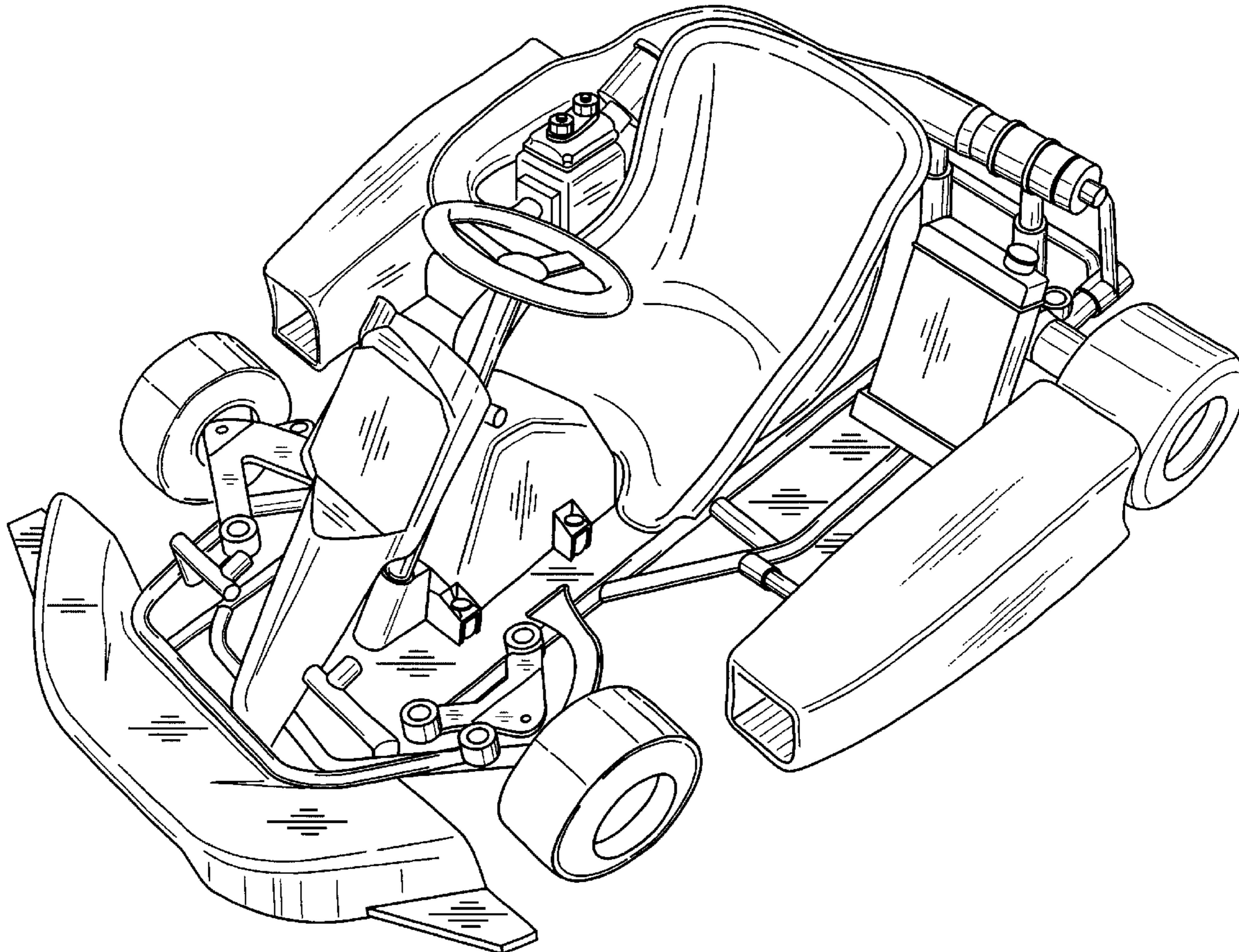
(57) **CLAIM**

The ornamental design for a toy vehicle, as shown and
described.

DESCRIPTION

FIG. 1 is a perspective view of the toy vehicle showing our
new design;
 FIG. 2 is a perspective view thereof with a rider shown in
broken lines, the broken lines are for illustrative purposes
only and form no part of the claimed design;
 FIG. 3 is a front view thereof;
 FIG. 4 is a rear view thereof;
 FIG. 5 is top view thereof;
 FIG. 6 is a bottom view thereof;
 FIG. 7 is a right side view thereof; and,
 FIG. 8 is a left side view thereof.

1 Claim, 6 Drawing Sheets



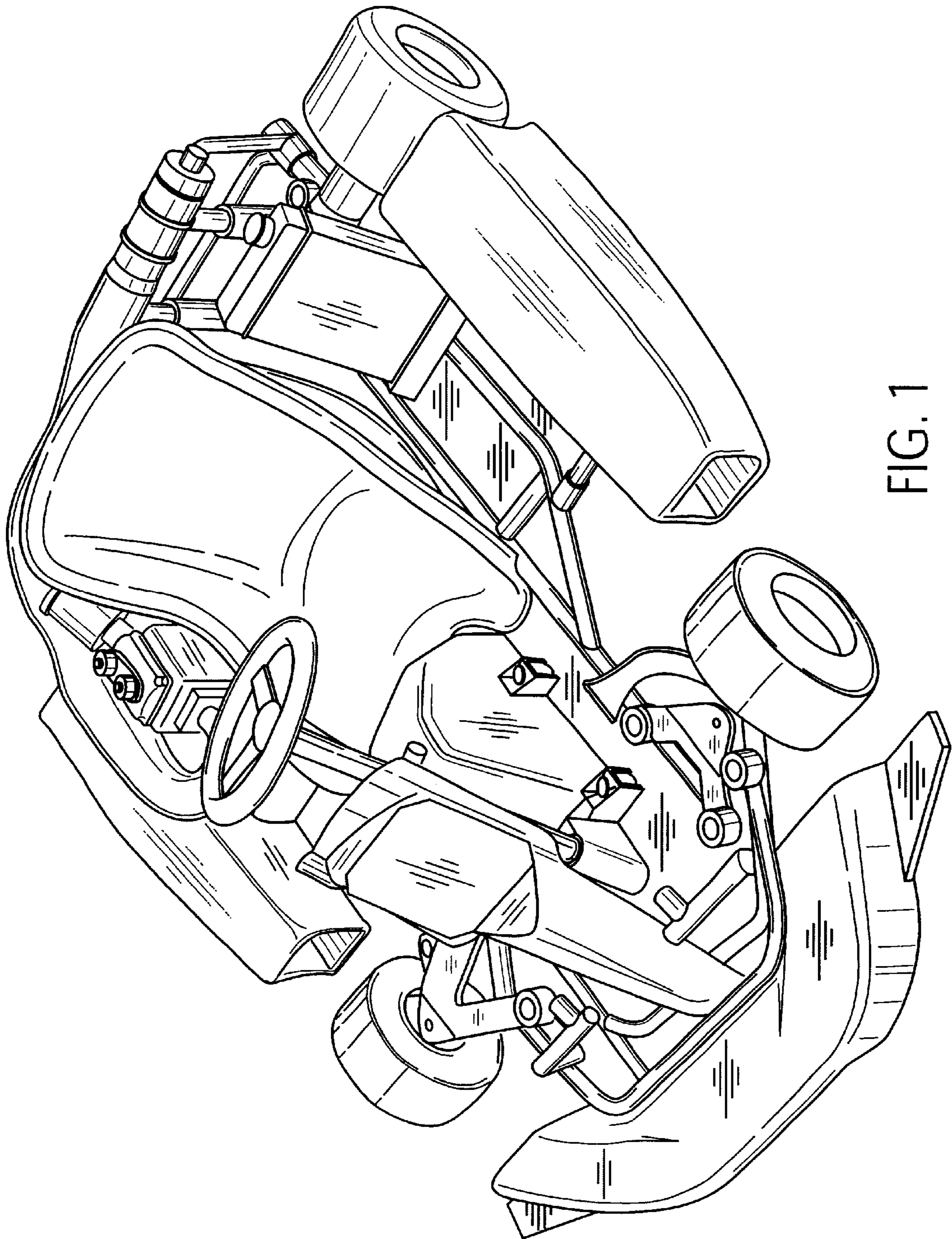


FIG. 1

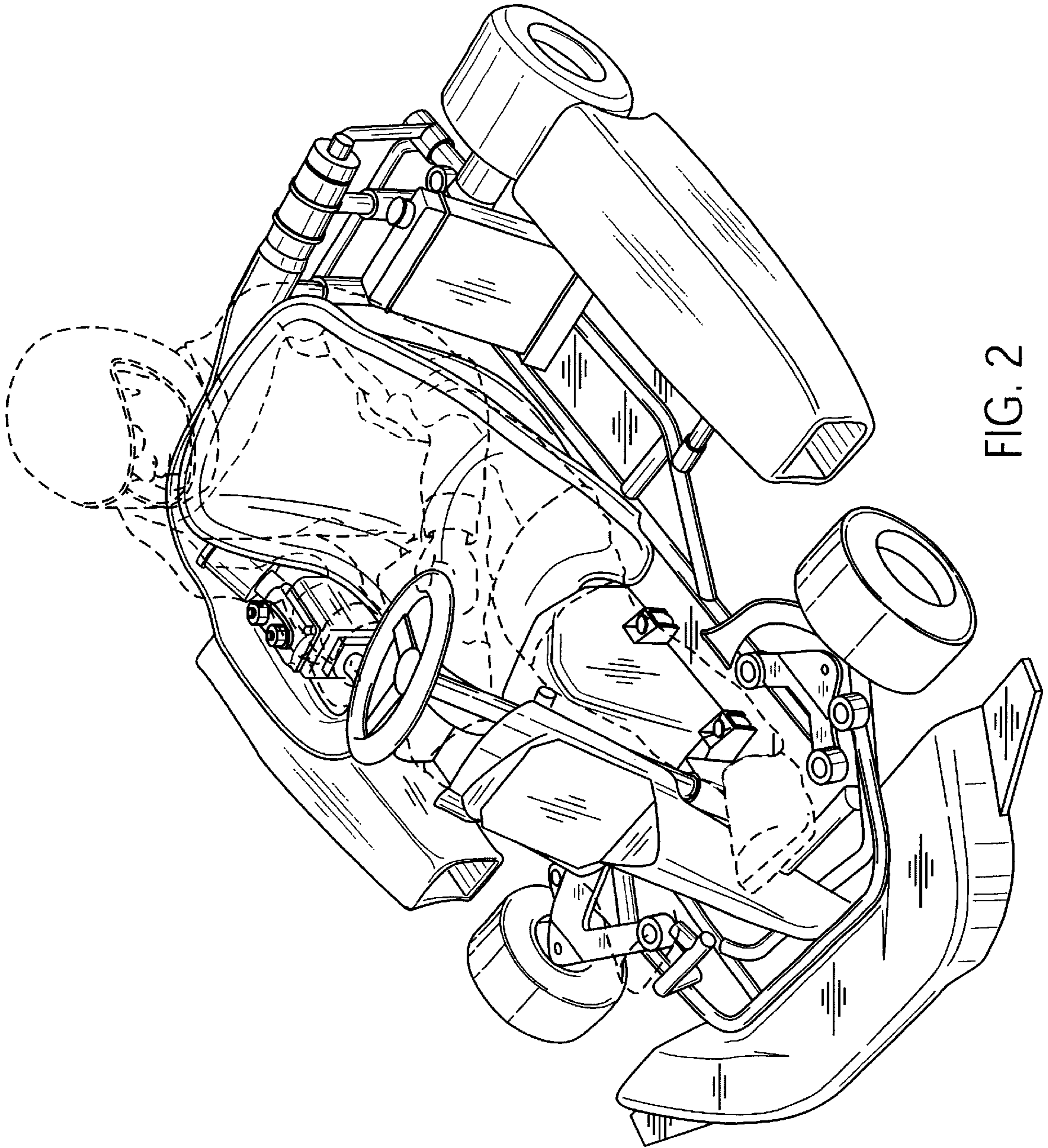


FIG. 2

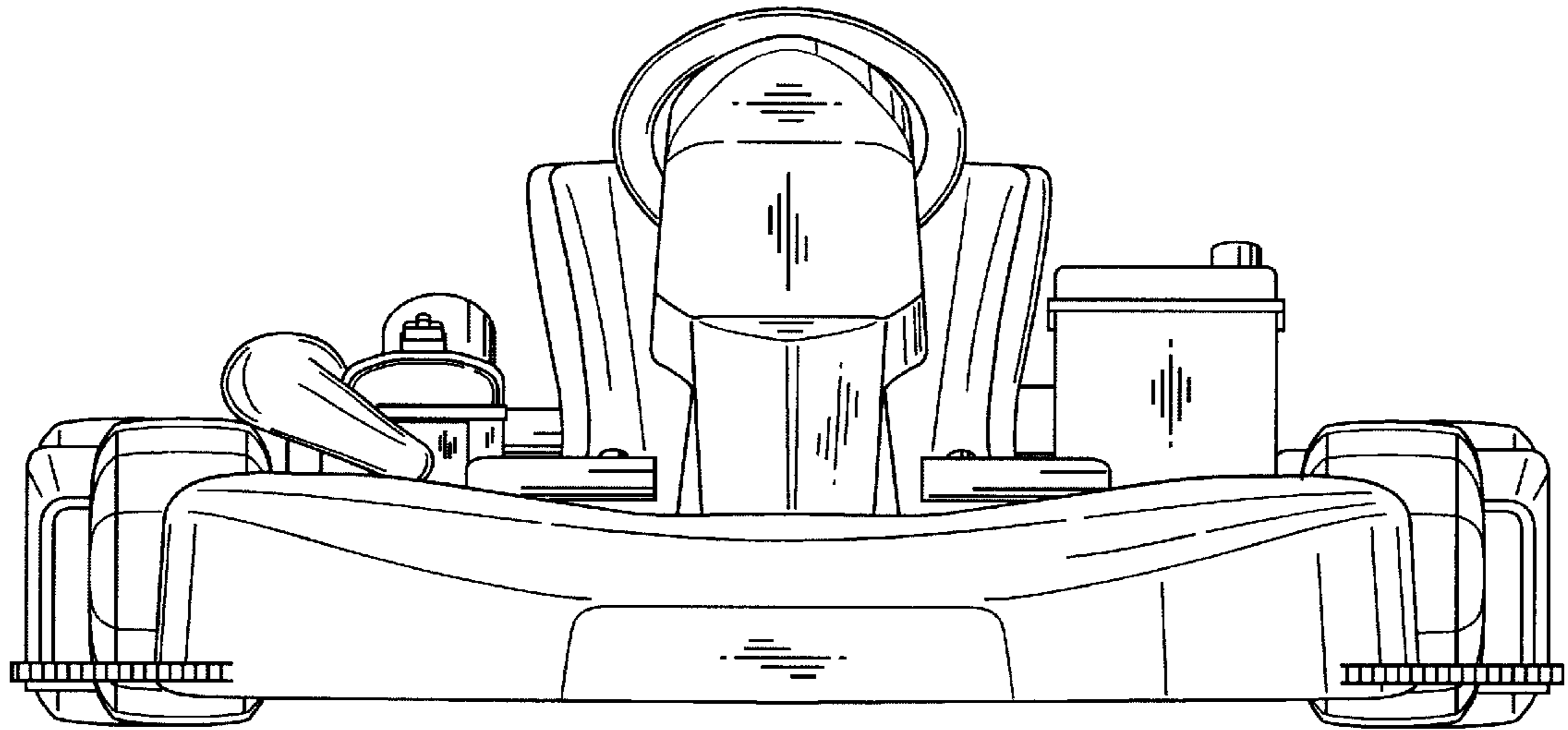


FIG. 3

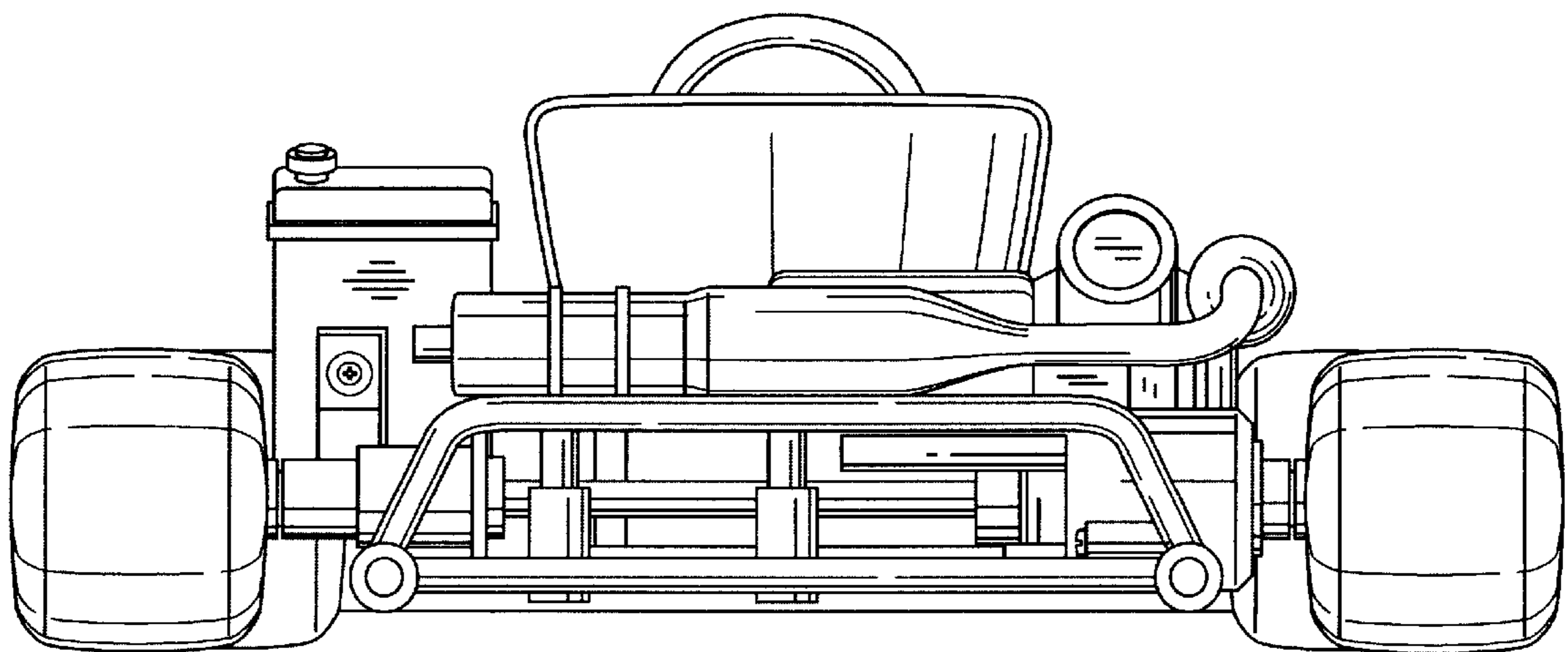


FIG. 4

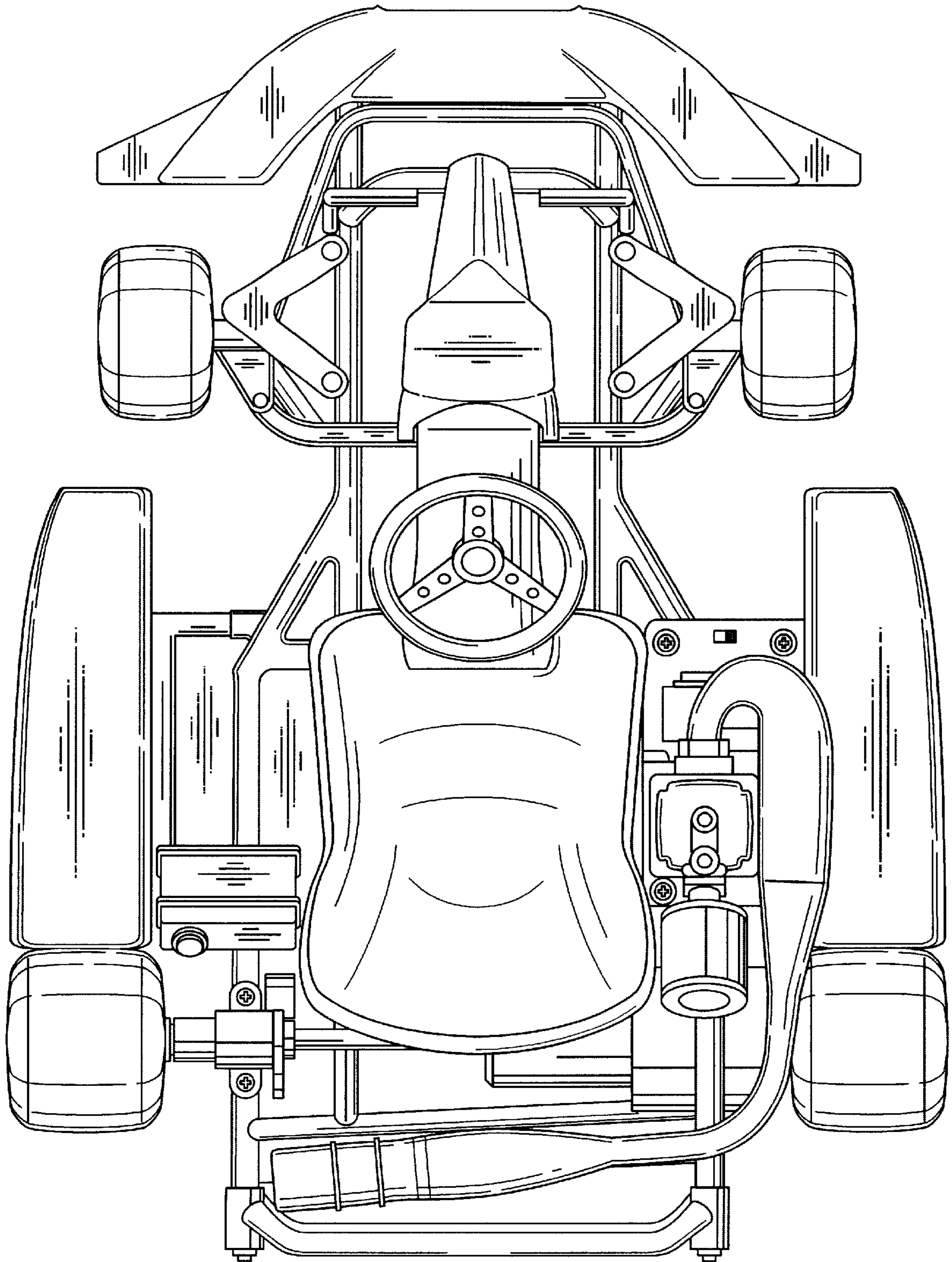


FIG. 5

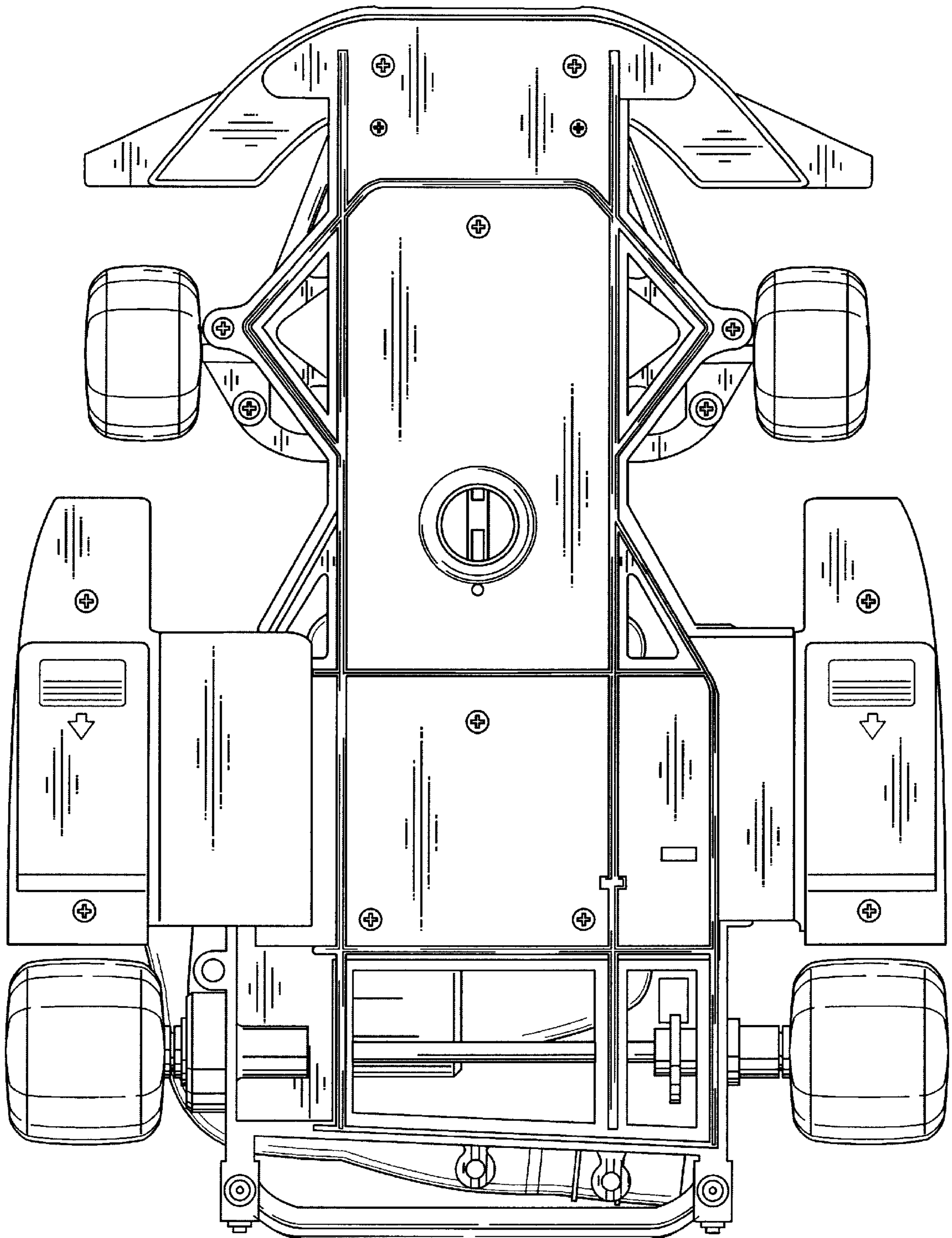


FIG. 6

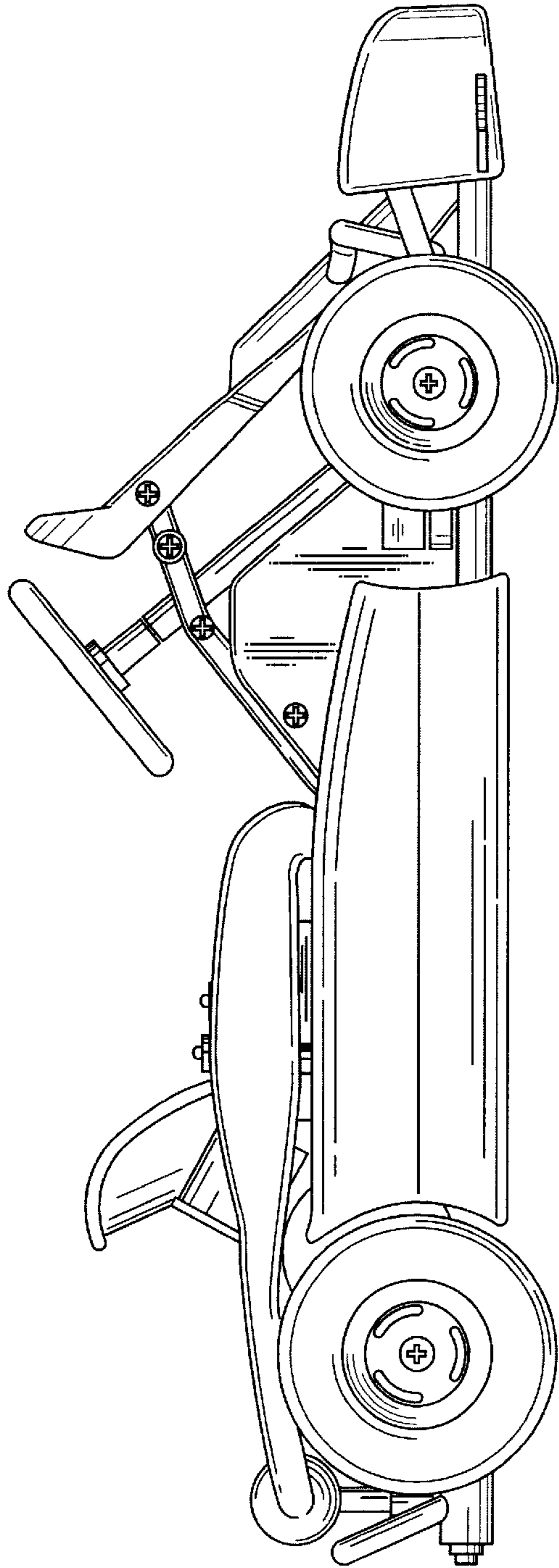


FIG. 7

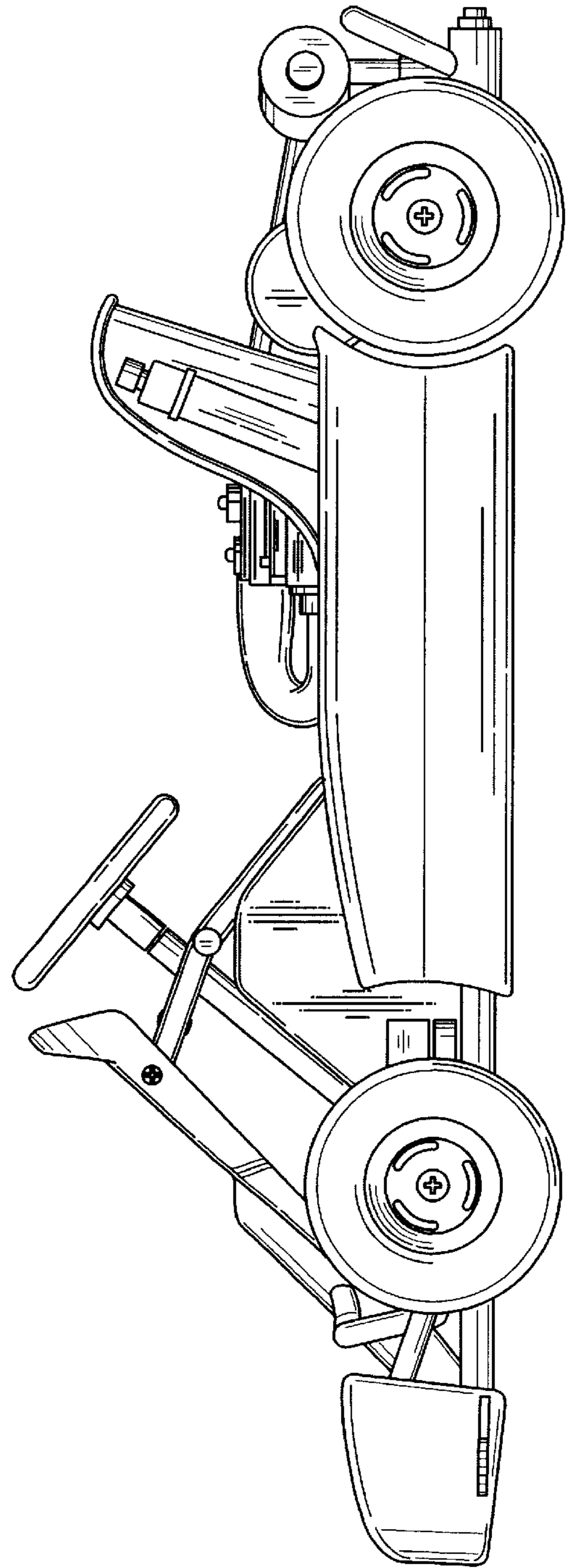


FIG. 8