



US00D471935S

(12) **United States Design Patent**
Mariani

(10) **Patent No.:** **US D471,935 S**

(45) **Date of Patent:** **** Mar. 18, 2003**

(54) **ELECTRONIC GAME CALLER**

(75) **Inventor:** **Timothy D. Mariani**, Little Rock, AR (US)

(73) **Assignee:** **NLC Products, Inc.**, Little Rock, AR (US)

(**) **Term:** **14 Years**

(21) **Appl. No.:** **29/144,009**

(22) **Filed:** **Jun. 23, 2001**

(51) **LOC (7) Cl.** **21-01**

(52) **U.S. Cl.** **D21/324; D14/496**

(58) **Field of Search** **D21/324-333; D14/496, 400, 401, 432; 273/148 B; 463/1, 29-47; 345/156-161**

(56) **References Cited**

U.S. PATENT DOCUMENTS

5,217,295 A * 6/1993 Totola et al. 273/148 B
D364,648 S * 11/1995 Osterhout D21/324

D430,617 S * 9/2000 Shimoide D21/324
6,254,477 B1 * 7/2001 Sasaki et al. 463/29
6,312,336 B1 * 11/2001 Handleman et al. 463/42
6,312,338 B1 * 11/2001 Sato et al. 463/46
D454,595 S * 3/2002 Ijams et al. D21/333

* cited by examiner

Primary Examiner—Prabhakar Deshmukh

(74) *Attorney, Agent, or Firm*—Head Johnson & Kachigian

(57) **CLAIM**

The ornamental design for an electronic game caller, as shown and described.

DESCRIPTION

FIG. 1 is a right side elevational view of an electronic game caller showing my new design.

FIG. 2 is a top plan view thereof;

FIG. 3 is a bottom plan view thereof;

FIG. 4 is a left side elevational view thereof;

FIG. 5 is a front elevational view thereof; and,

FIG. 6 is a rear elevational view thereof.

1 Claim, 3 Drawing Sheets

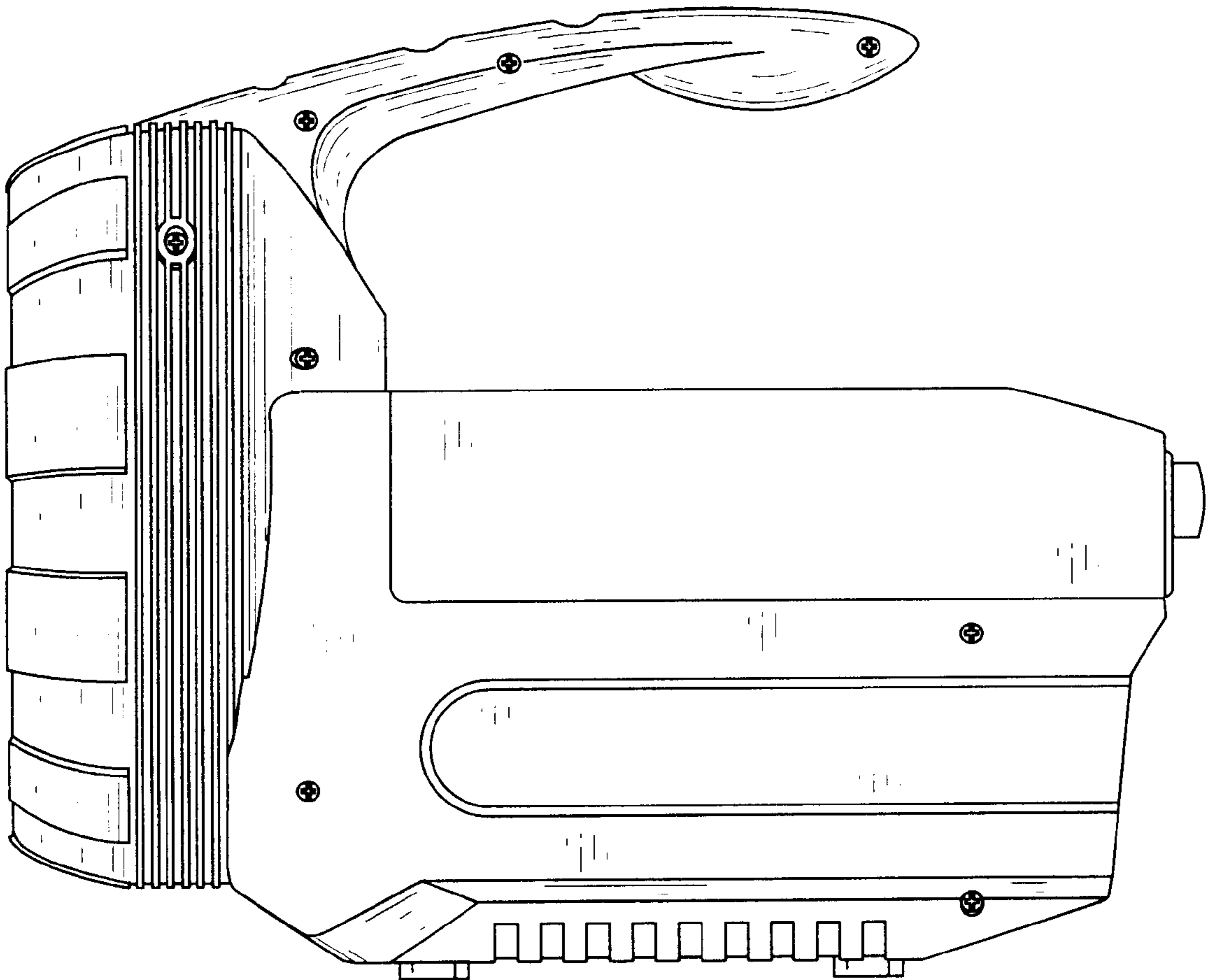


FIG. 1

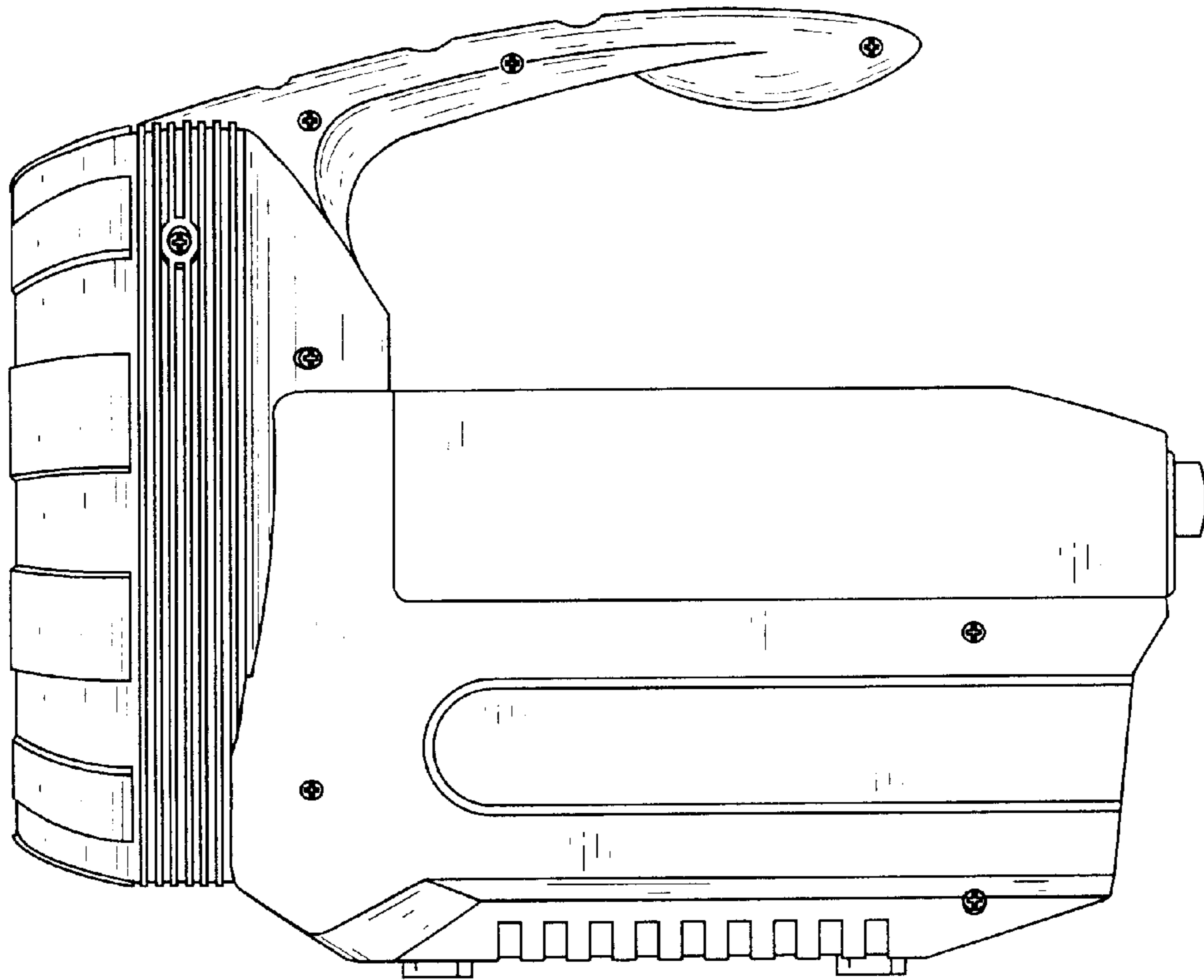


FIG. 2

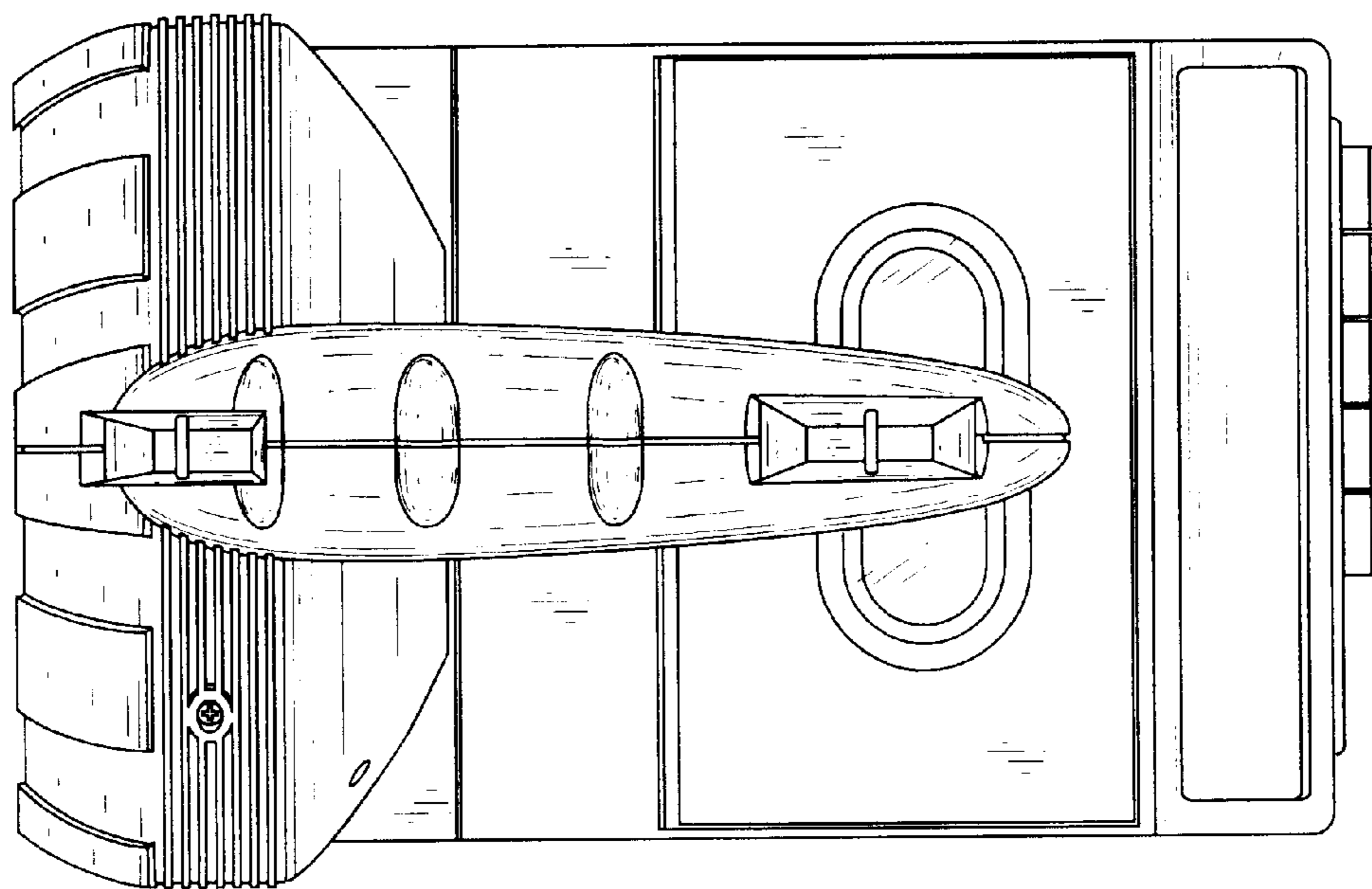


FIG. 3

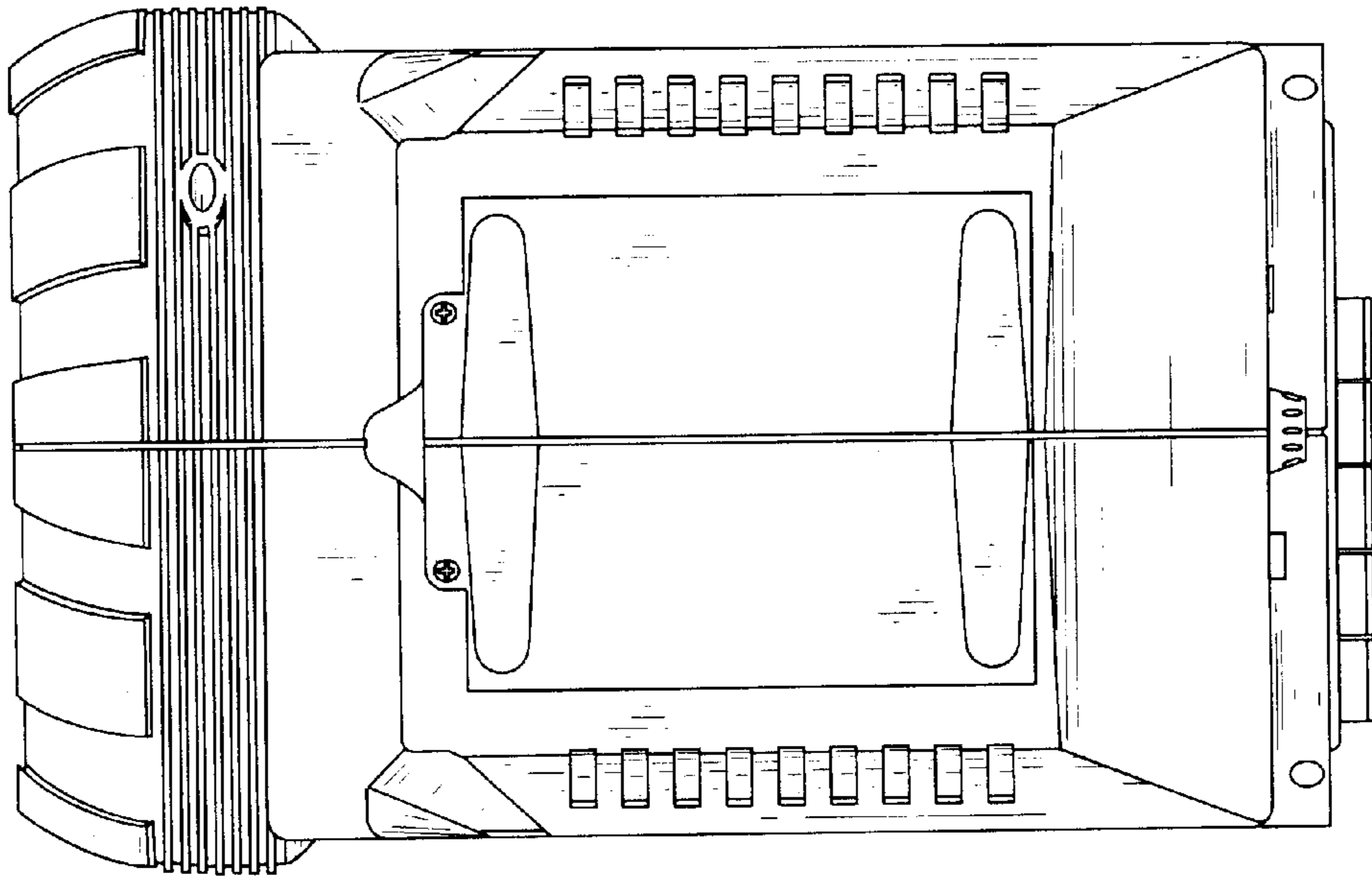


FIG. 4

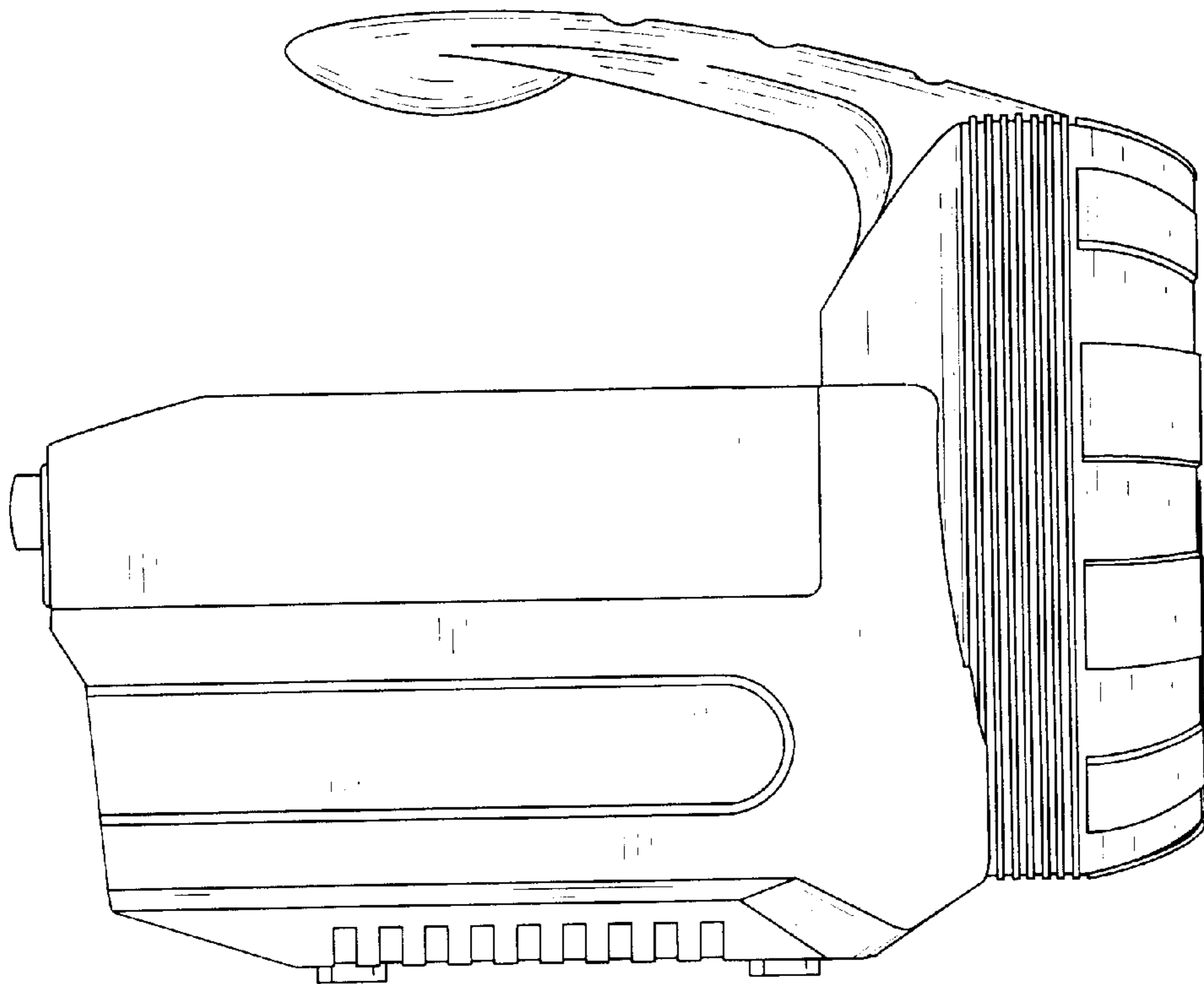


FIG. 5

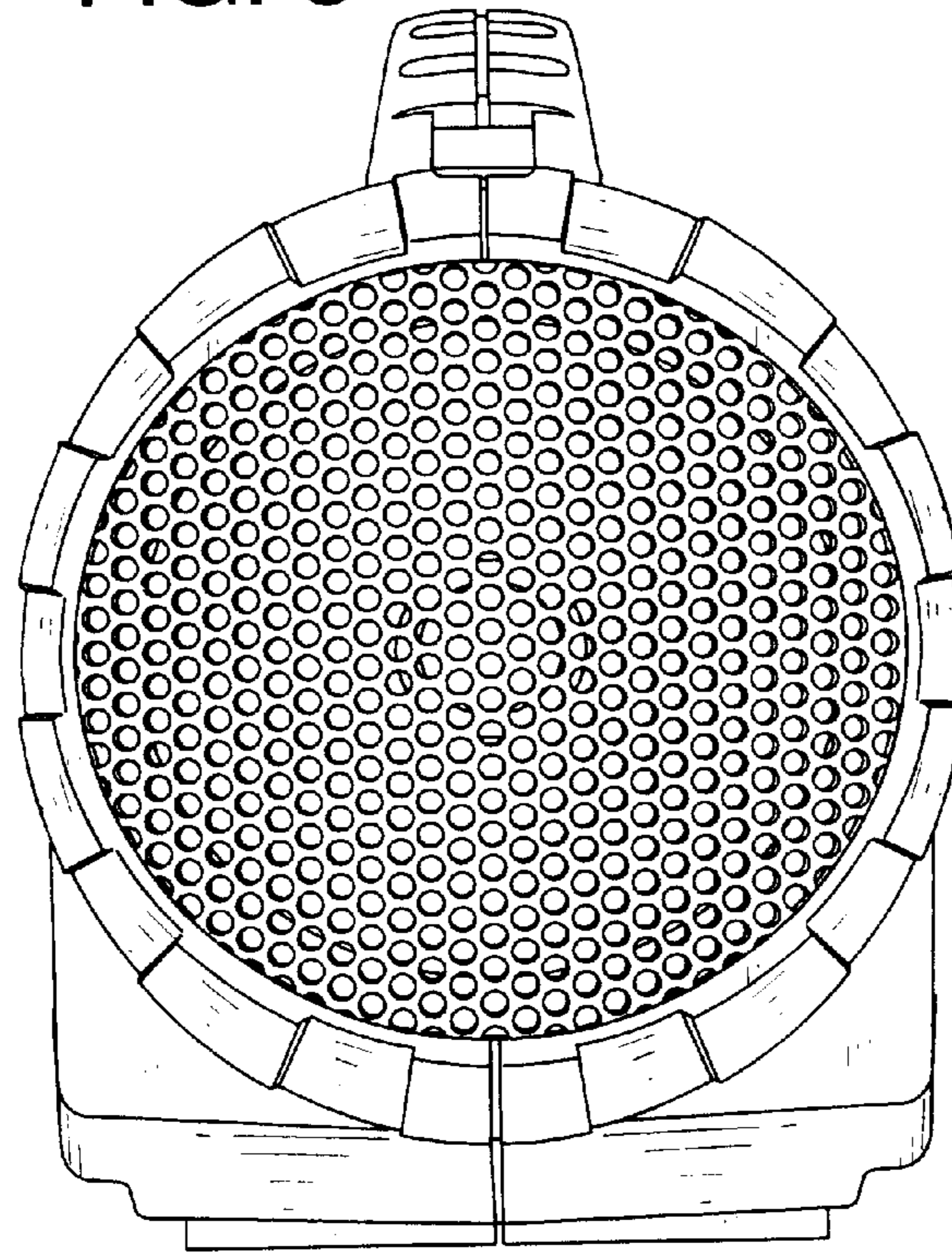


FIG. 6

