



US00D471927S

(12) **United States Design Patent**
Kim

(10) **Patent No.:** **US D471,927 S**

(45) **Date of Patent:** **** Mar. 18, 2003**

(54) **CAMERA FOR CELLULAR PHONES**

(75) Inventor: **Young Hoon Kim**, Kyungki-do (KR)

(73) Assignee: **Samsung Electro-Mechanics Co., Ltd.**
(KR)

(**) Term: **14 Years**

(21) Appl. No.: **29/154,550**

(22) Filed: **Jan. 24, 2002**

(51) **LOC (7) Cl.** **16-01**

(52) **U.S. Cl.** **D16/208; D16/202; D14/240**

(58) **Field of Search** **D14/130, 138,**
D14/144, 240, 317; D16/200, 202, 203,
204, 205, 208, 218; 348/14.01-14.09, 14.1,
373-376; 396/535-541

(56) **References Cited**

U.S. PATENT DOCUMENTS

D262,117 S	*	12/1981	Sasaki	D16/203
5,491,507 A	*	2/1996	Umezawa et al.	348/14.02
D405,457 S	*	2/1999	Kawashima	D16/208
D425,887 S	*	5/2000	Edwards et al.	D14/138
6,239,841 B1	*	5/2001	Verstockt et al.	348/373
D448,785 S	*	10/2001	Chou	D16/202
D449,605 S	*	10/2001	Schebesch et al.	D14/138

OTHER PUBLICATIONS

Harris Corporation Catalog, 1990 Cover page.*

* cited by examiner

Primary Examiner—Adir Aronovich

(74) *Attorney, Agent, or Firm*—Webb Ziesenheim Logsdon Orkin & Hanson, P.C.

(57) **CLAIM**

The ornamental design for a camera for cellular phones, as shown and described.

DESCRIPTION

FIG. 1 is a perspective view (front and right side view) of a camera for cellular phones;

FIG. 2 is a front view thereof;

FIG. 3 is a rear view thereof;

FIG. 4 is a left side view thereof (the right side view thereof is a mirror image of this);

FIG. 5 is a top plan view thereof;

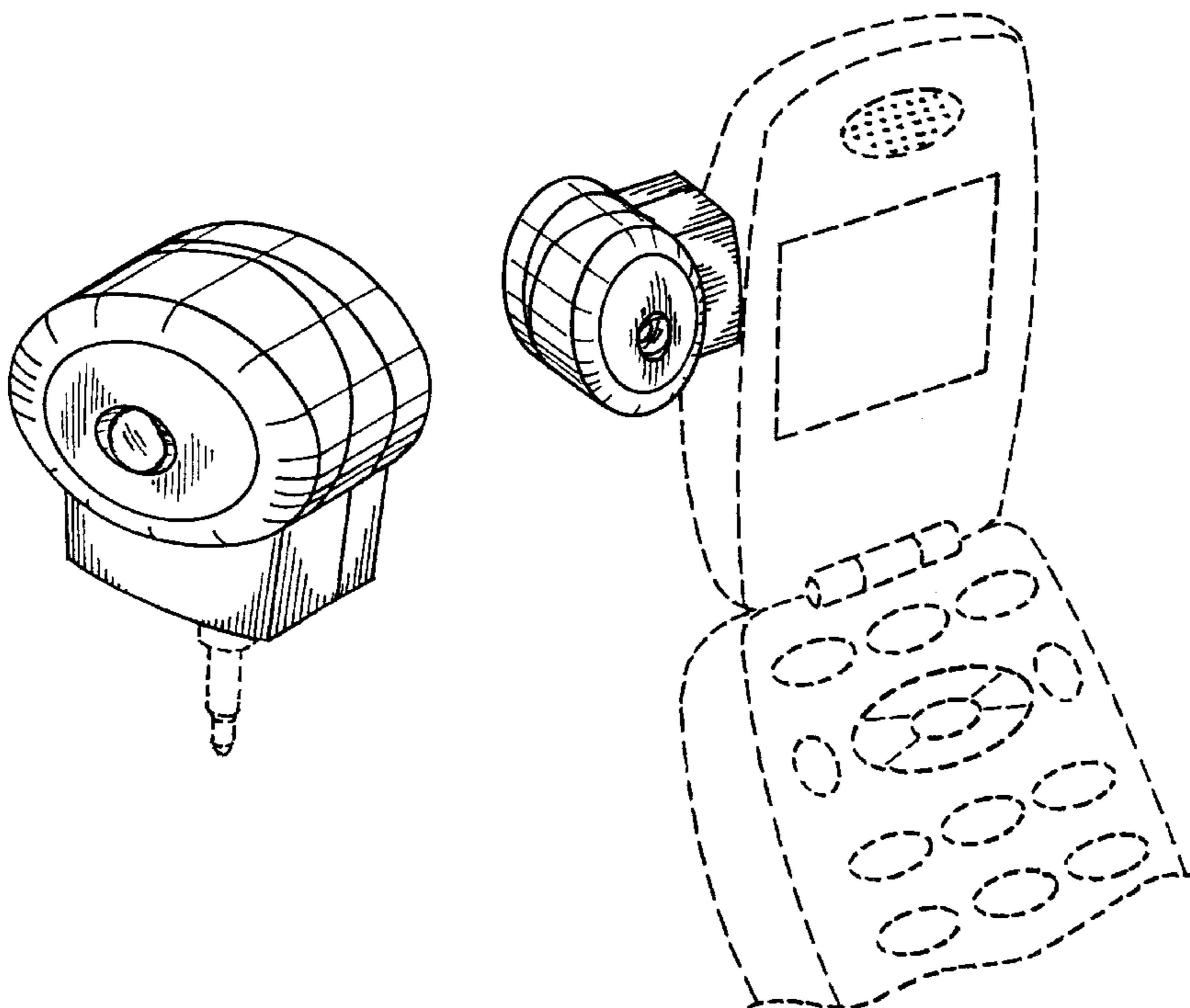
FIG. 6 is a bottom view thereof;

FIG. 7 is a perspective view showing the camera in use, the portion of the camera shown in broken lines is for illustrative purposes only and forms no part of the claimed design; and,

FIG. 8 is a perspective view showing the camera attached to a cellular phone, the fragmentary portion of the cellular phone is shown to illustrate environment only and forms no part of the claimed design.

The portions of the article in broken lines shown in FIGS. 1-4 and 6 are for illustrative purposes only and form no part of the claimed design.

1 Claim, 2 Drawing Sheets



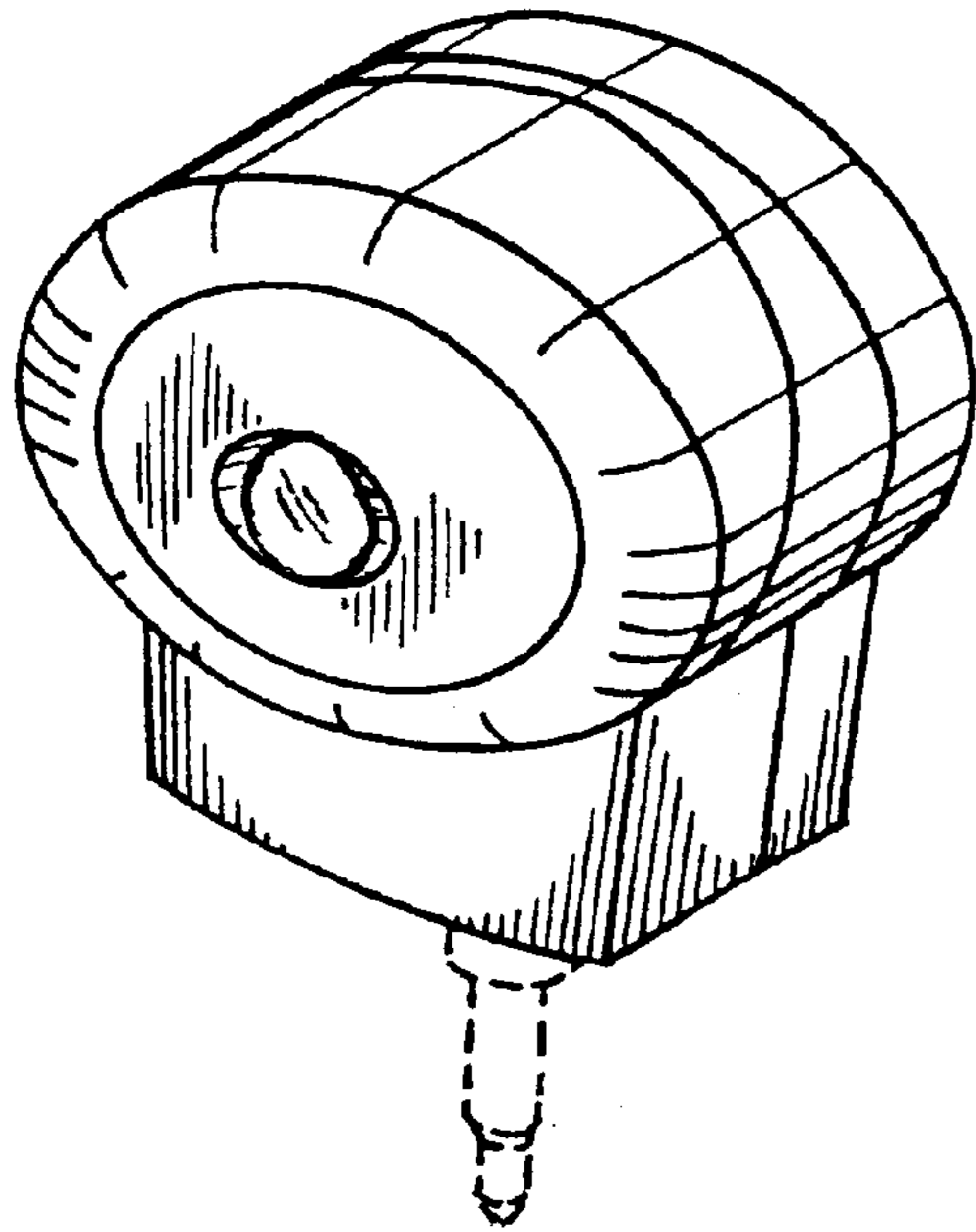


Fig. 1

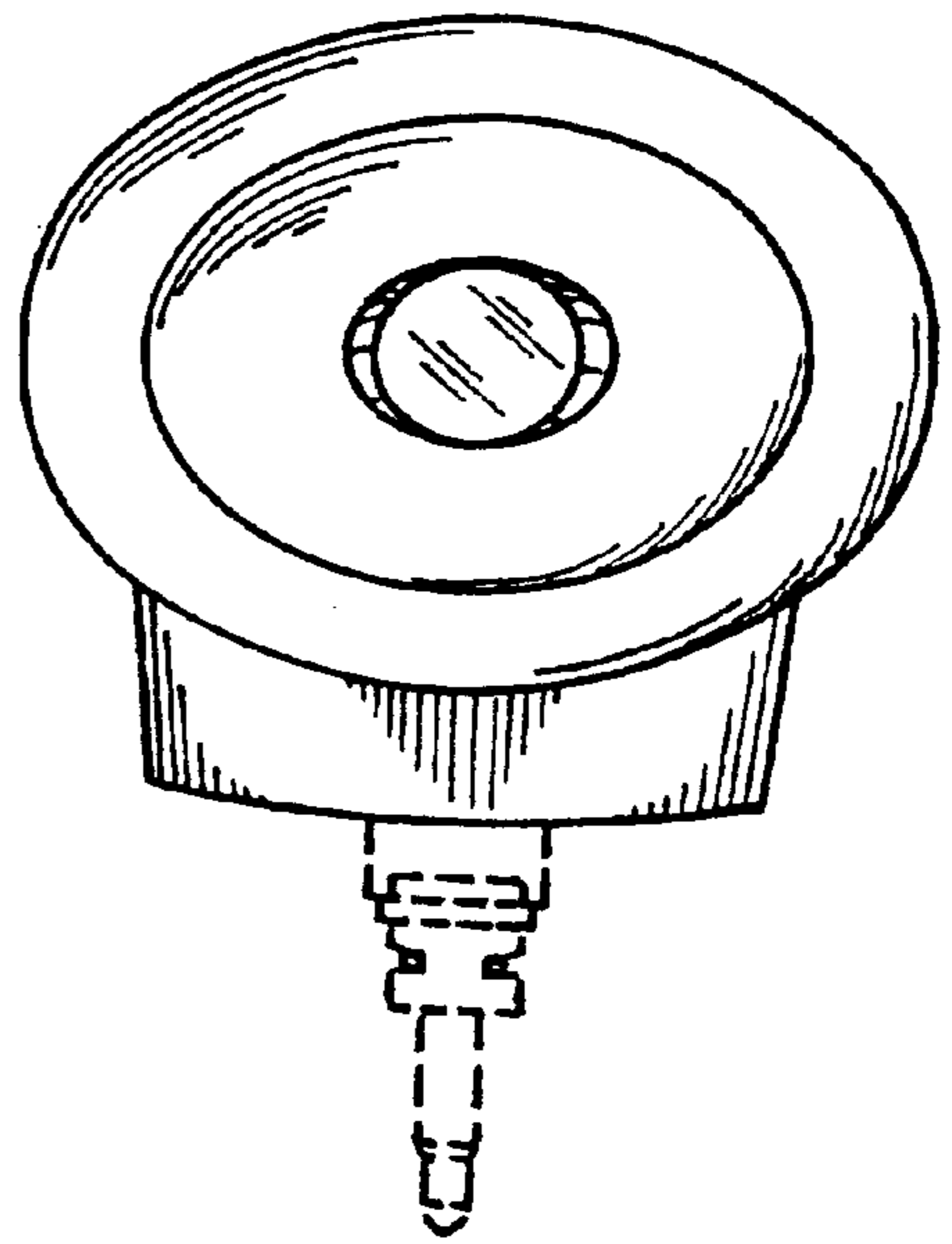


Fig. 2

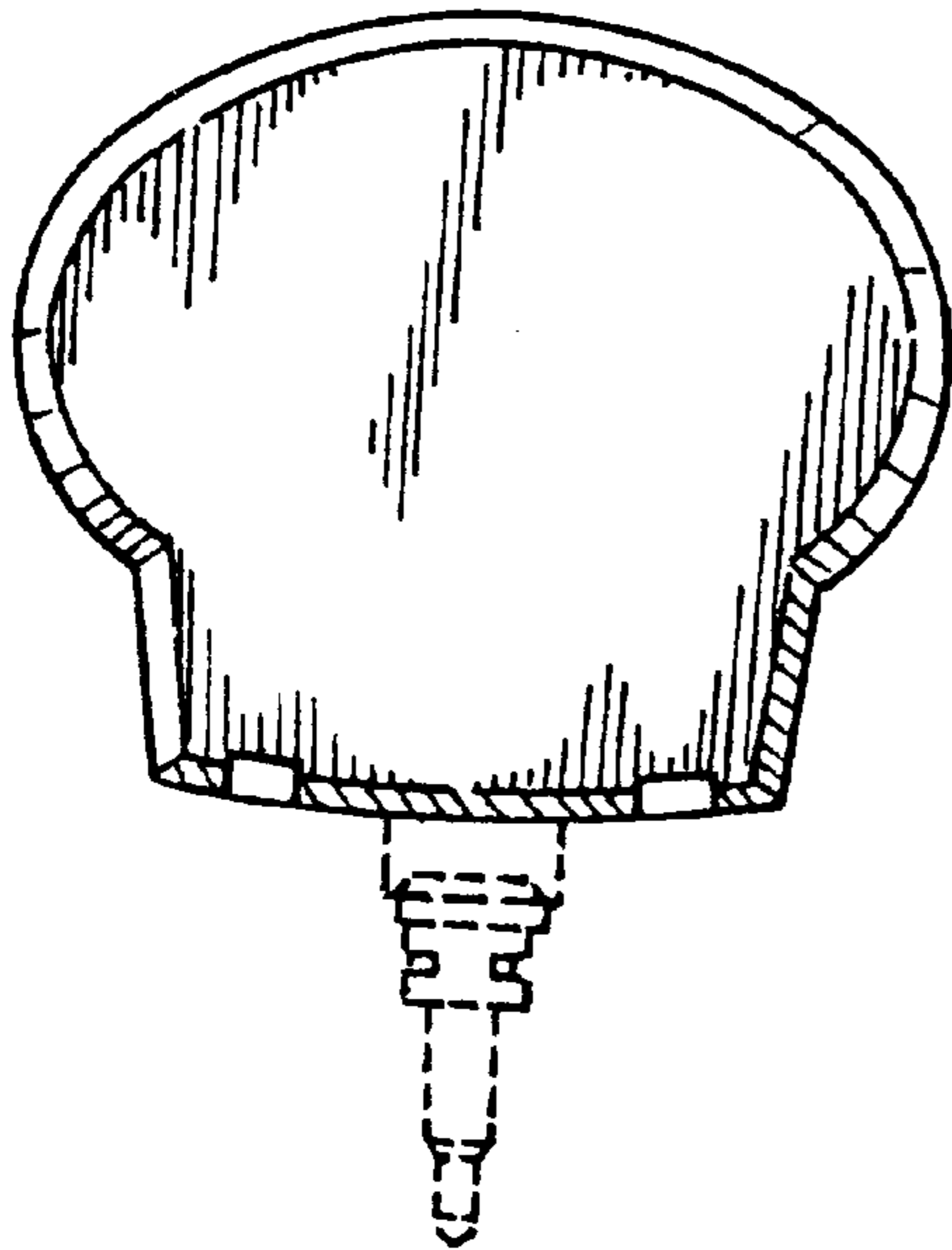


Fig. 3

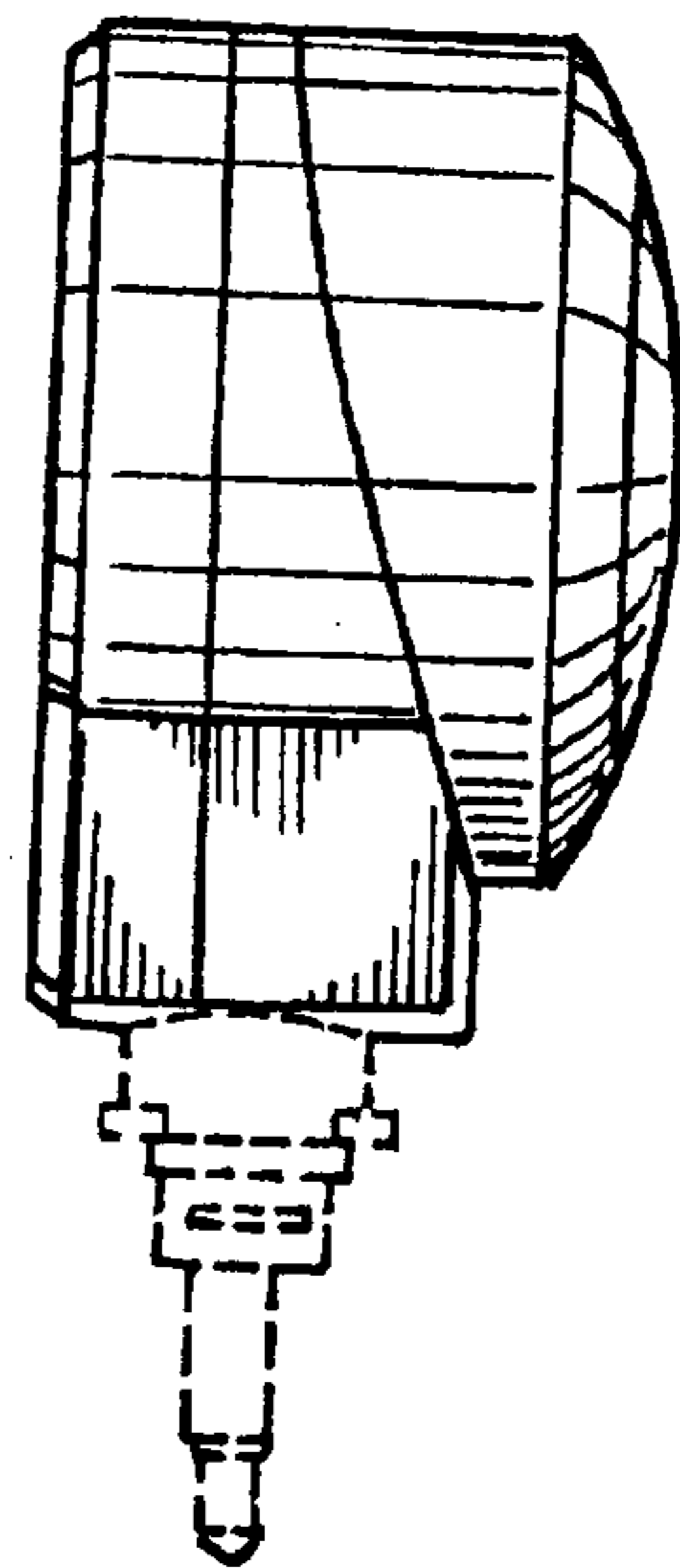


Fig. 4

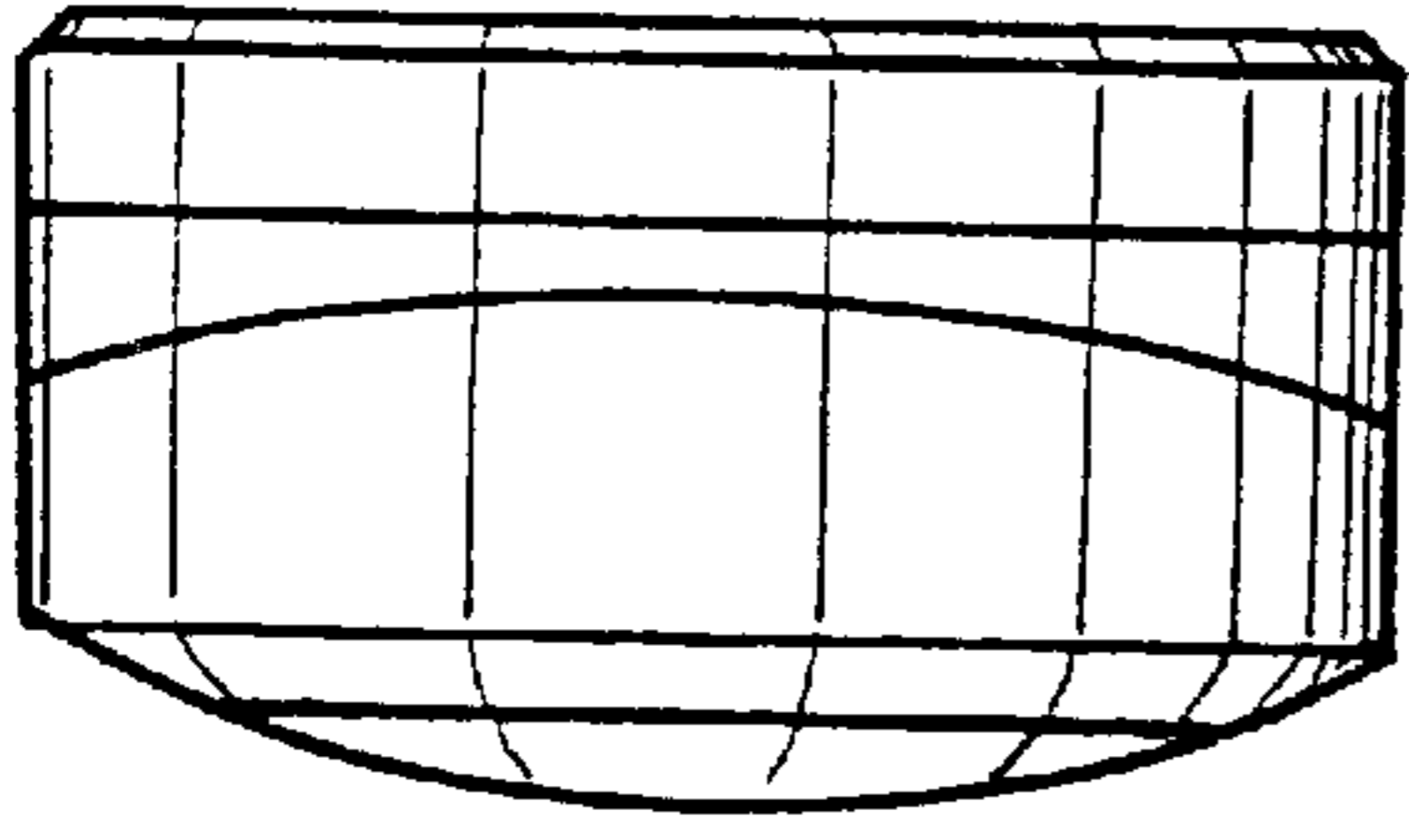


Fig. 5

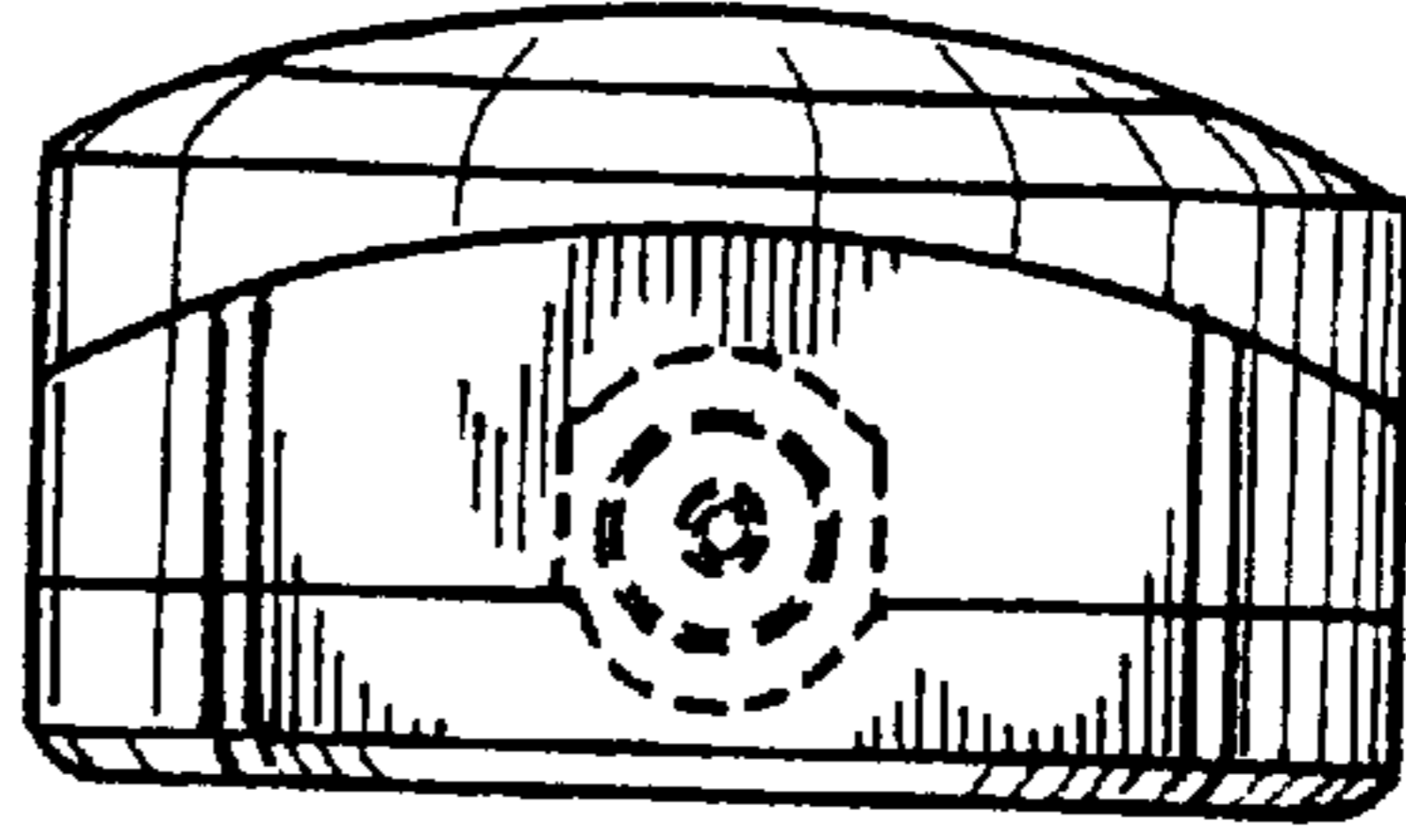


Fig. 6

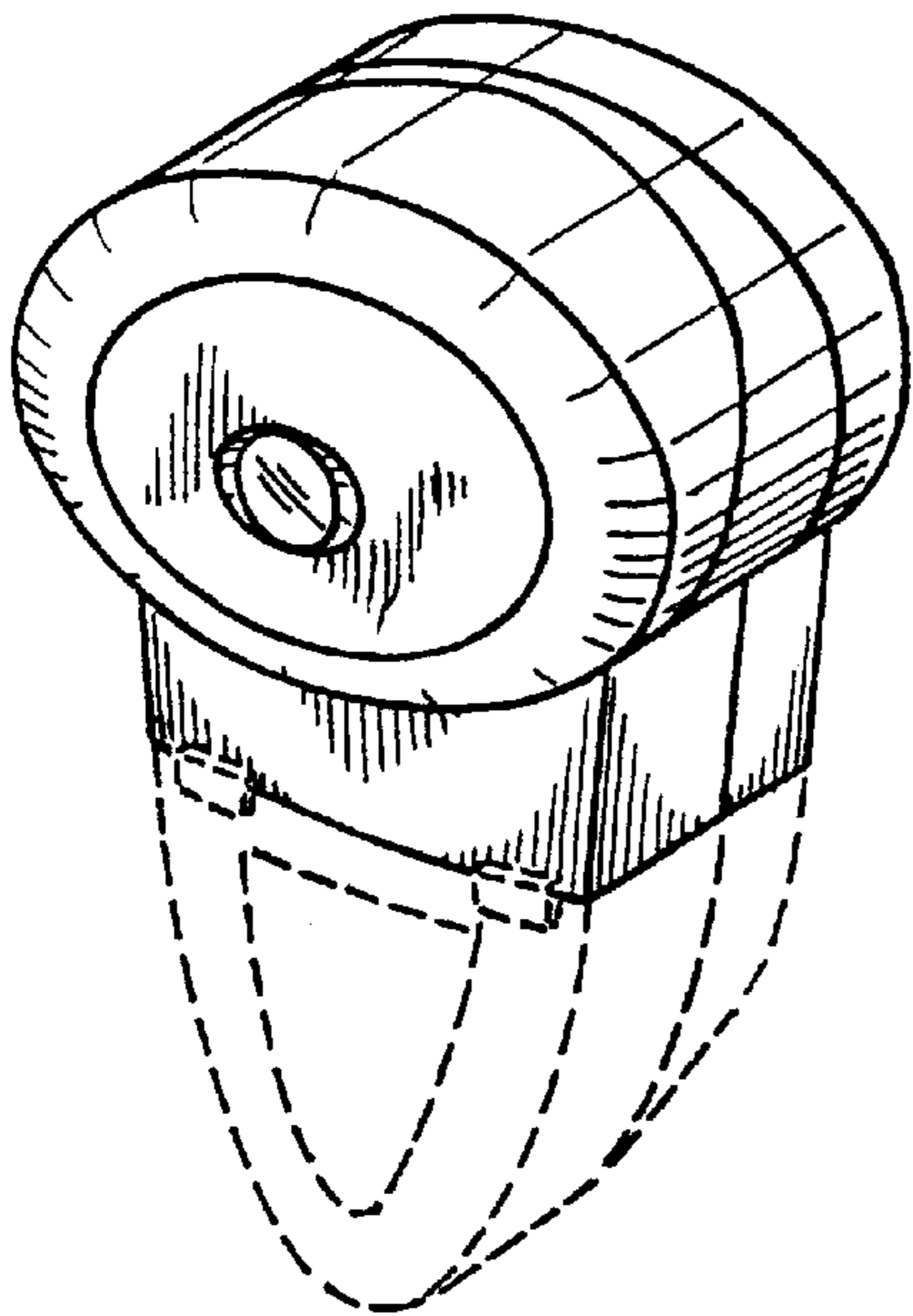


Fig. 7

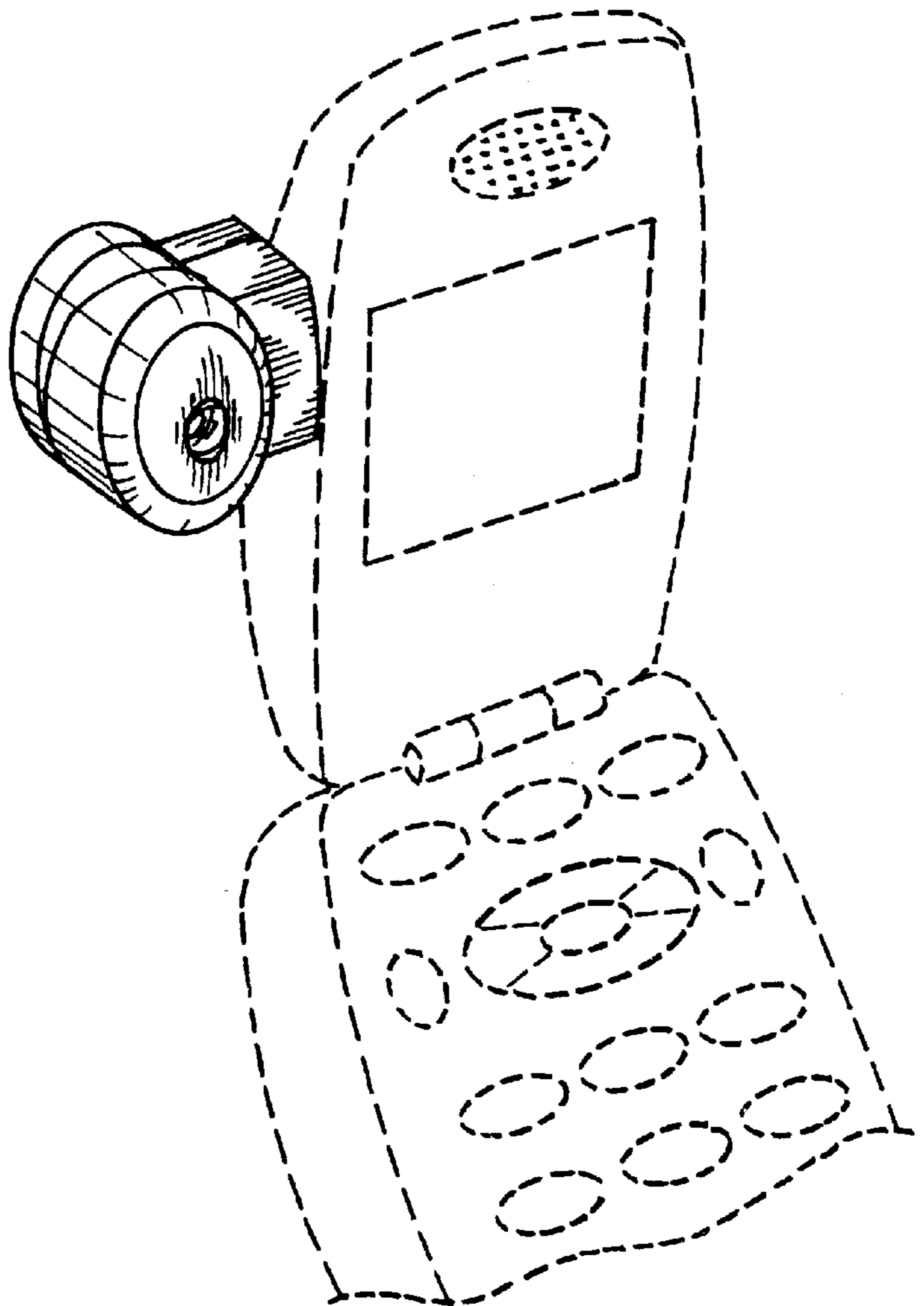


Fig. 8