



US00D471914S

(12) **United States Design Patent**
Kanatani

(10) **Patent No.:** **US D471,914 S**

(45) **Date of Patent:** **** Mar. 18, 2003**

(54) **MONITOR**

(75) Inventor: **Masakazu Kanatani**, Tokyo (JP)

(73) Assignee: **Sony Corporation**, Tokyo (JP)

(**) Term: **14 Years**

(21) Appl. No.: **29/140,227**

(22) Filed: **Apr. 16, 2001**

(51) **LOC (7) Cl.** **14-02**

(52) **U.S. Cl.** **D14/448; D14/126**

(58) **Field of Search** D14/375, 371,
D14/374, 379, 126-129, 448; 345/104,
133, 156, 168, 173; 348/180, 184, 325,
739; 341/12; 349/1, 2, 11, 62; 248/917-924

(56) **References Cited**

U.S. PATENT DOCUMENTS

D432,101 S	10/2000	Oba	D14/126
D438,518 S	3/2001	Kanatani et al.	D14/126
D446,519 S	* 8/2001	Wu	D14/375
D454,845 S	* 3/2002	Niitsu	D14/126
D457,864 S	* 5/2002	Bong et al.	D14/126

OTHER PUBLICATIONS

Catalog "Personal Computer Vaio L" 3 sheets, Sony Corporation, Jul. 2000.

Catalog "Personal Computer Vaio RX" 3 sheets, Sony Corporation, Oct. 2000.

* cited by examiner

Primary Examiner—Kay H. Chin

(74) *Attorney, Agent, or Firm*—Rader, Fishman & Grauer PLLC

(57) **CLAIM**

The ornamental design for a monitor, as shown and described.

DESCRIPTION

FIG. 1 is a perspective view of a monitor showing my new design;

FIG. 2 is a front elevational view thereof;

FIG. 3 is a rear elevational view thereof;

FIG. 4 is a left side elevational view thereof;

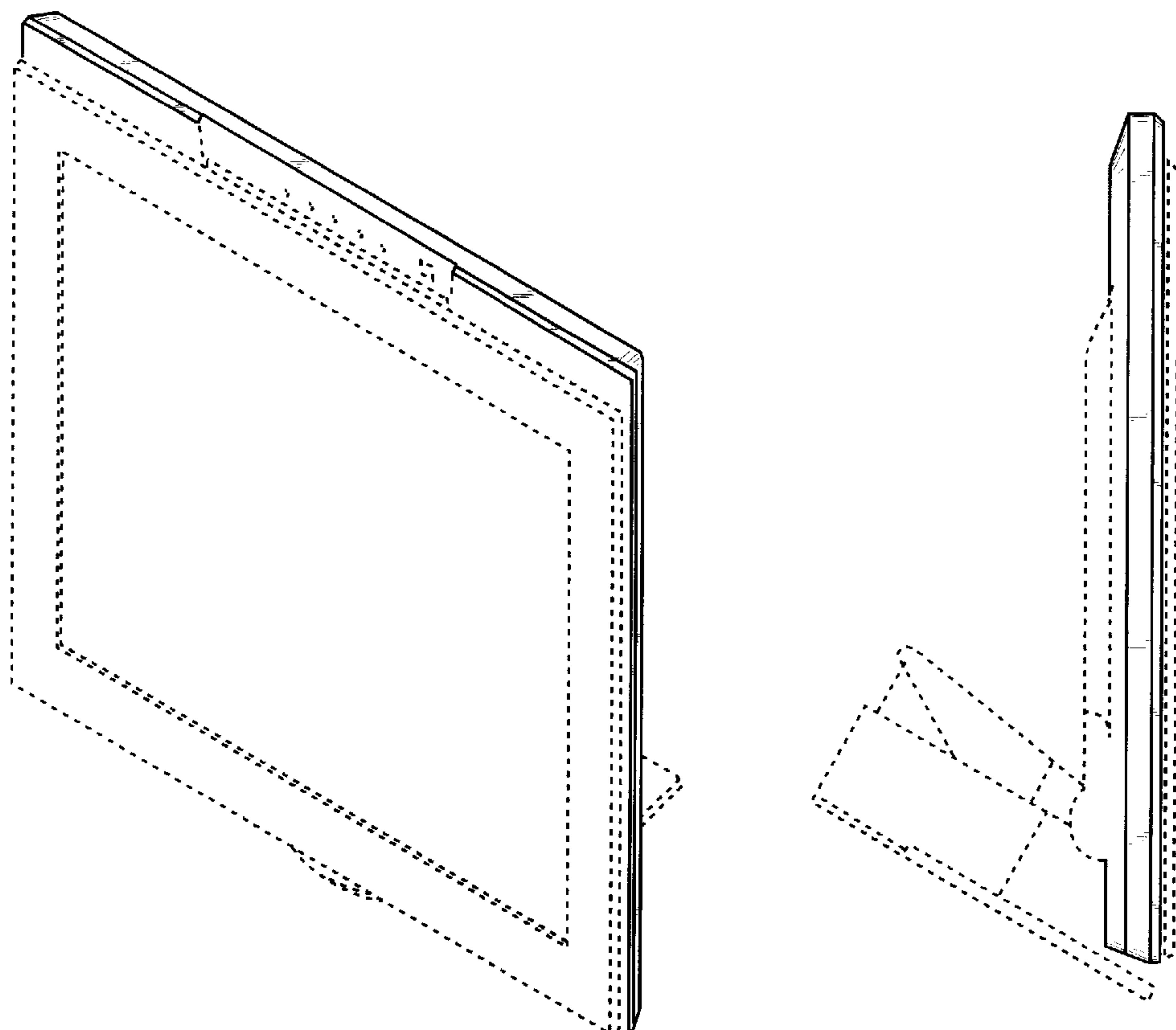
FIG. 5 is a right side elevational view thereof;

FIG. 6 is a top plan view thereof; and,

FIG. 7 is a bottom plan view thereof.

The portions in broken lines are for illustrative purposes only and form no part of the claimed design.

1 Claim, 4 Drawing Sheets



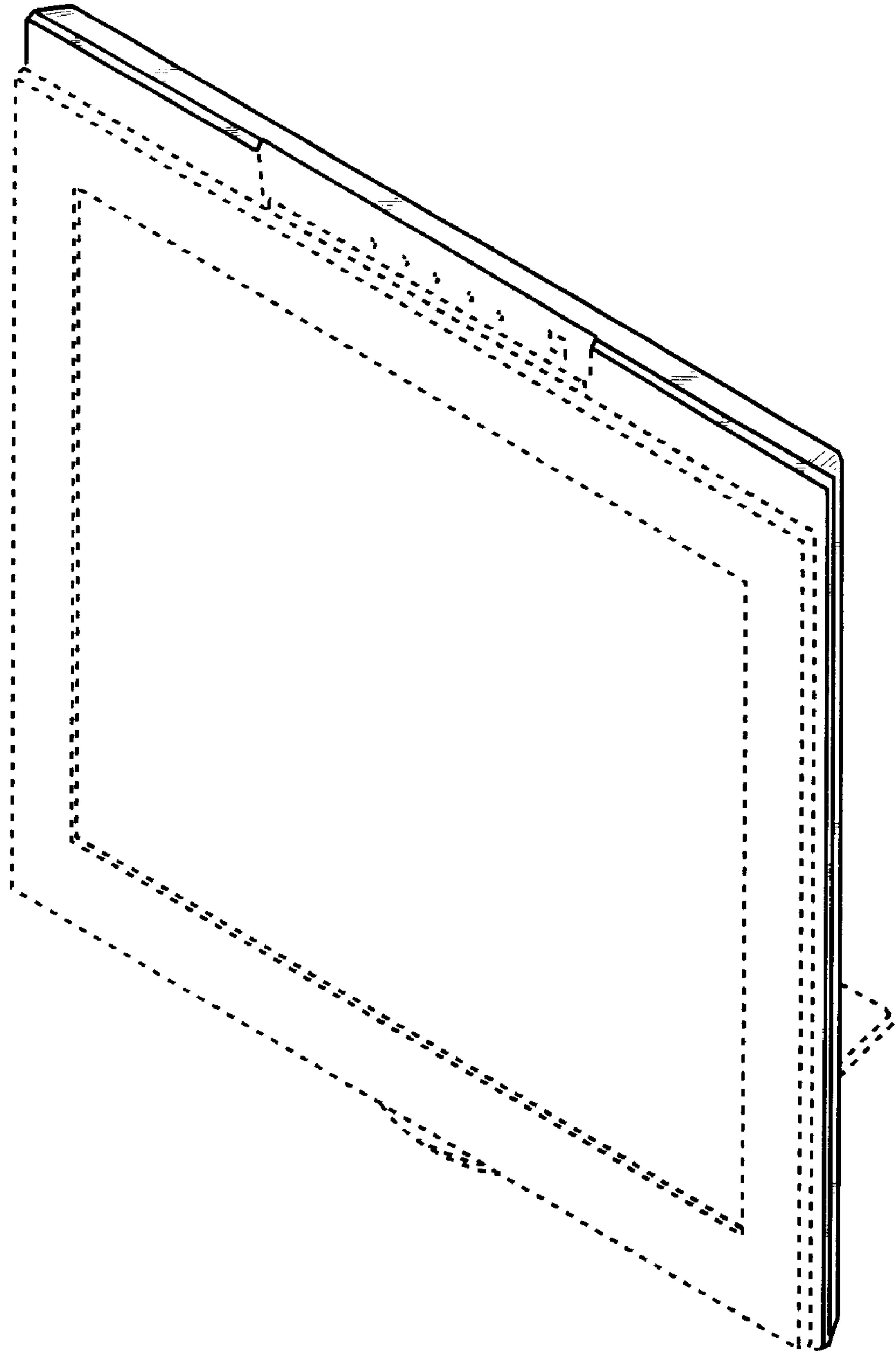


Fig. 1

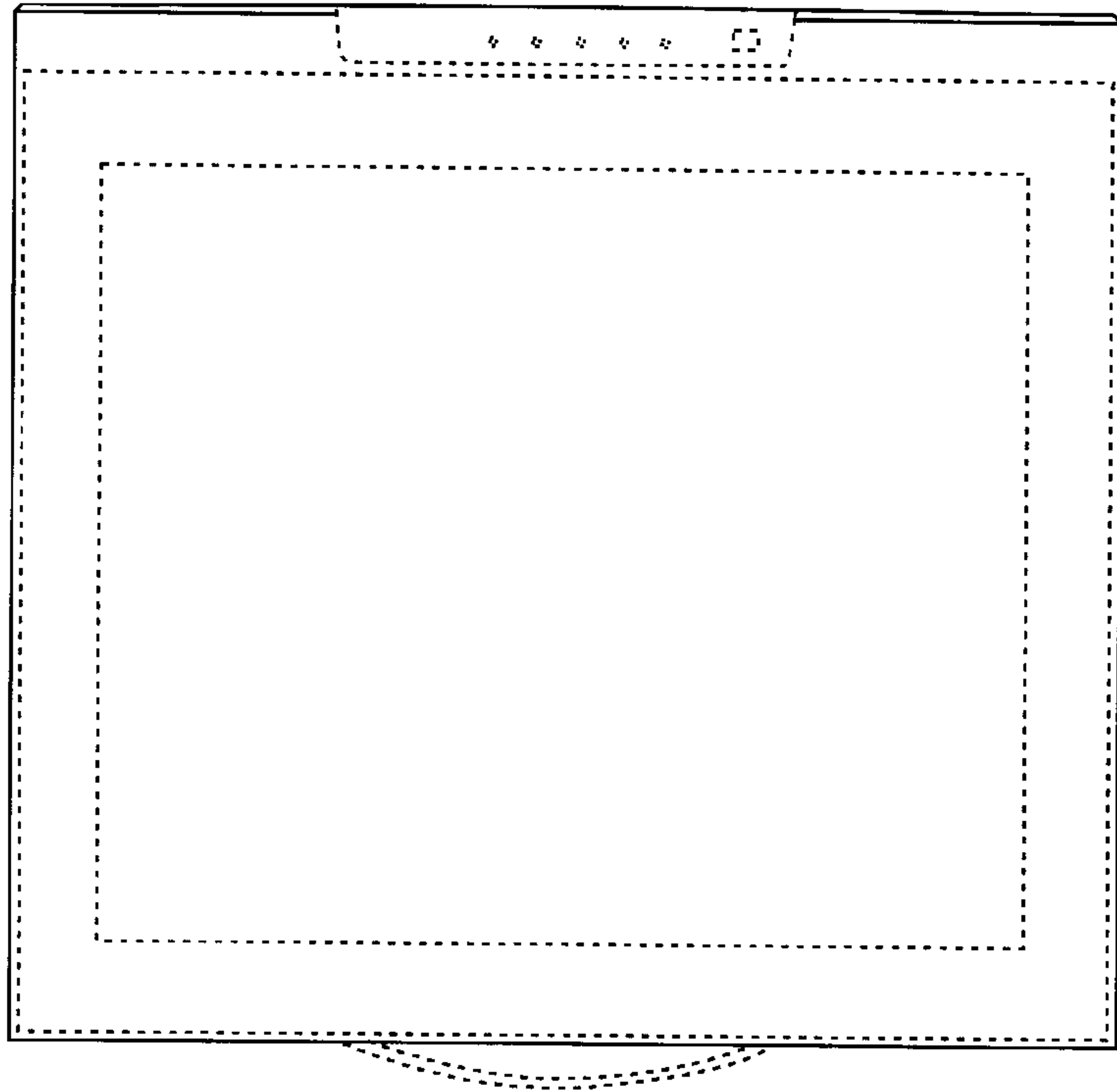


Fig. 2

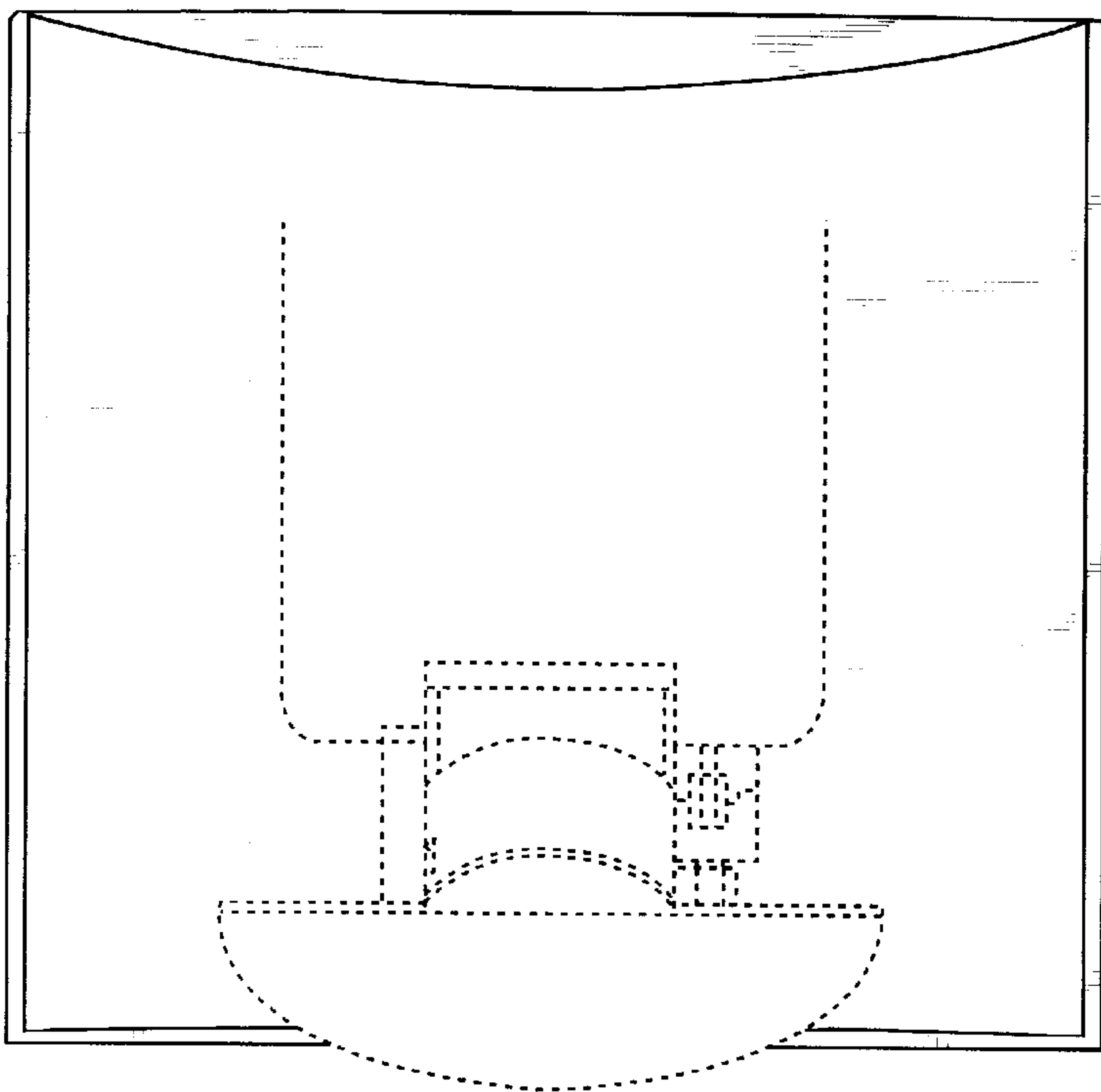


Fig. 3

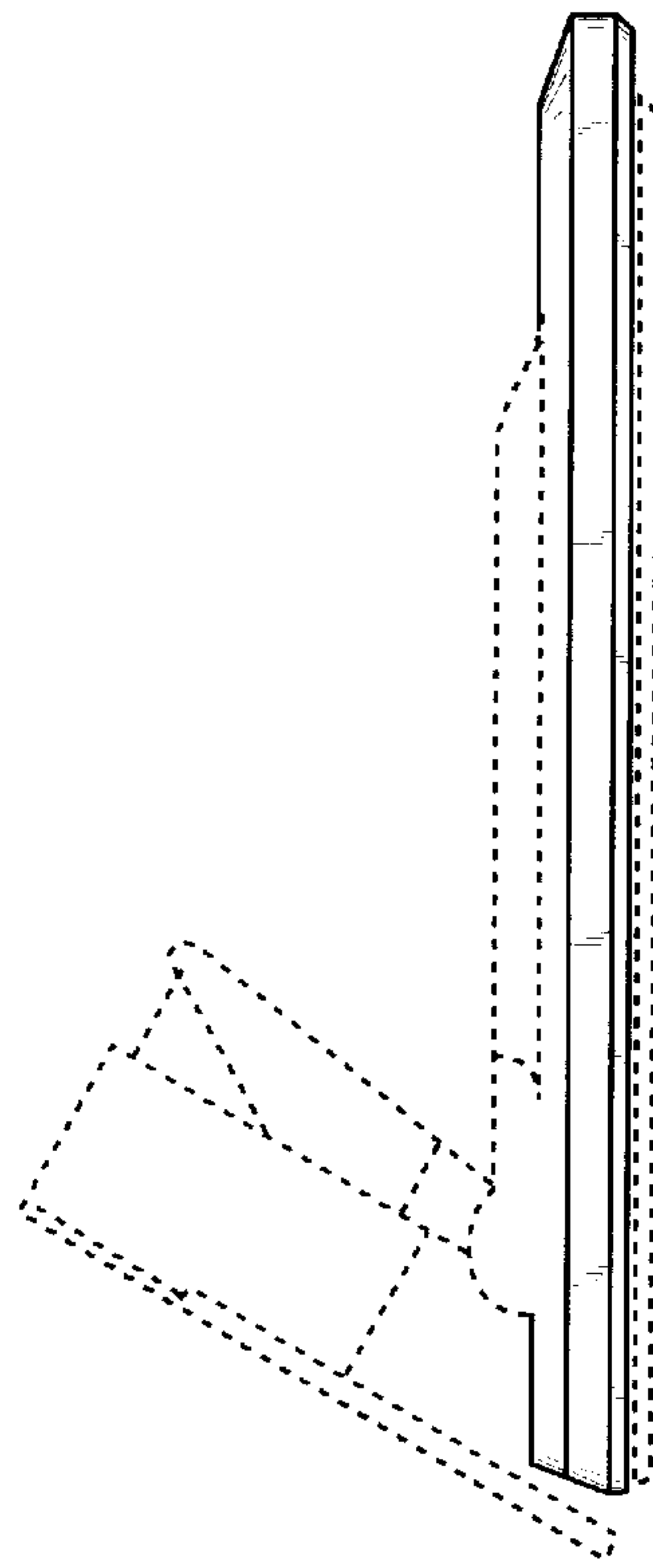


Fig. 4

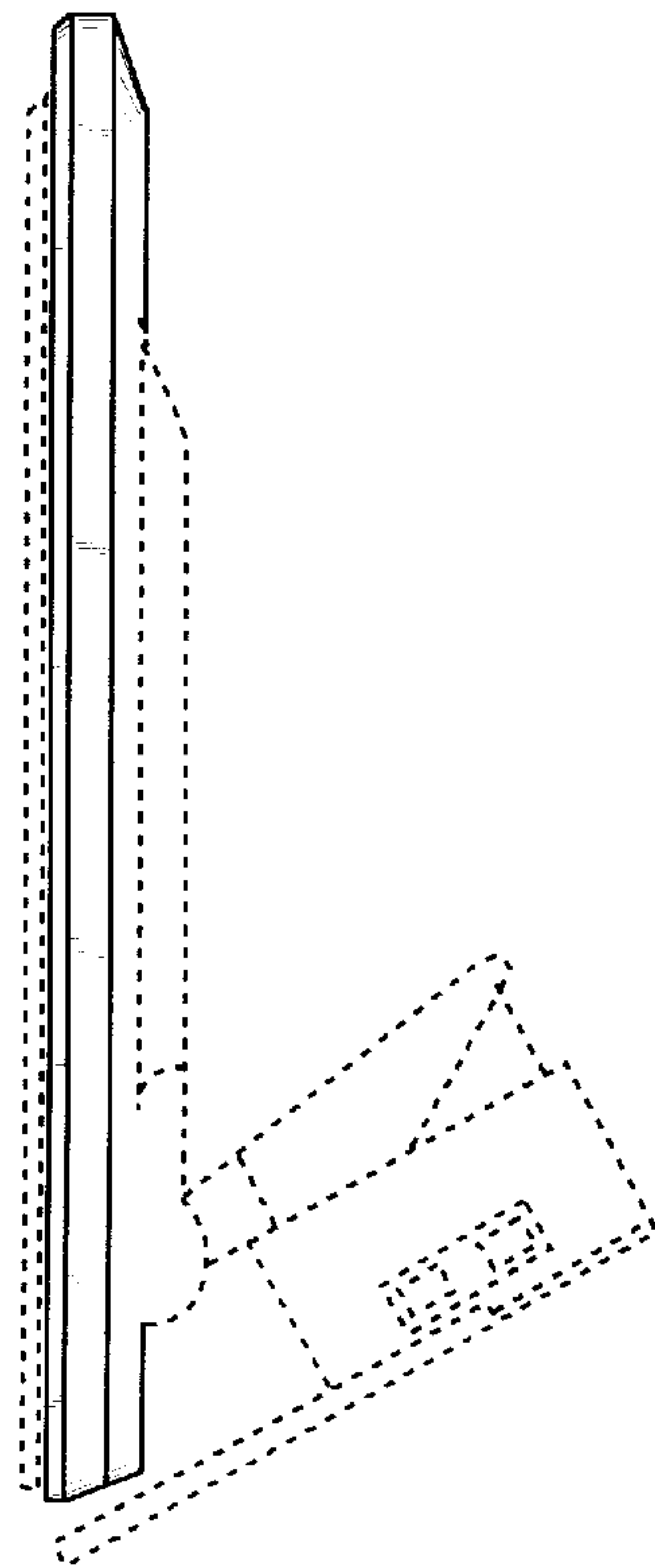


Fig. 5

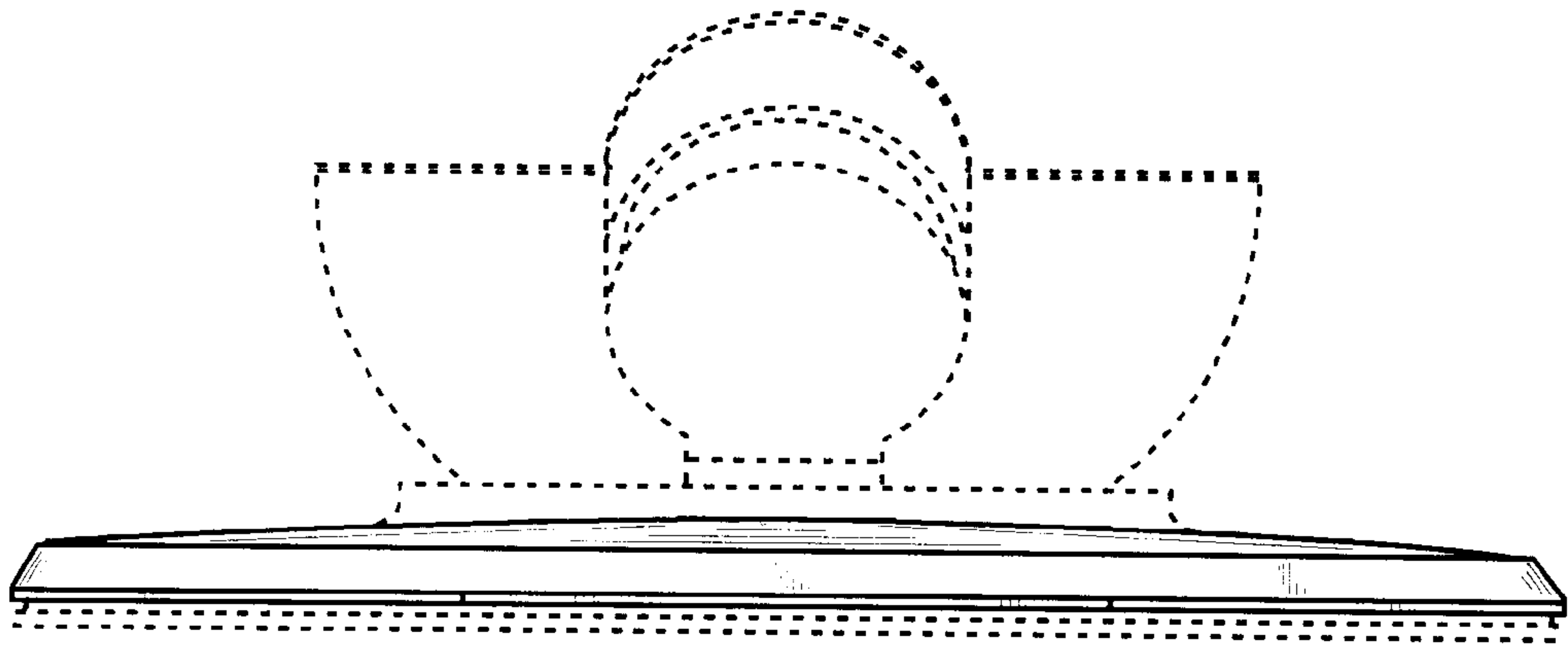


Fig. 6

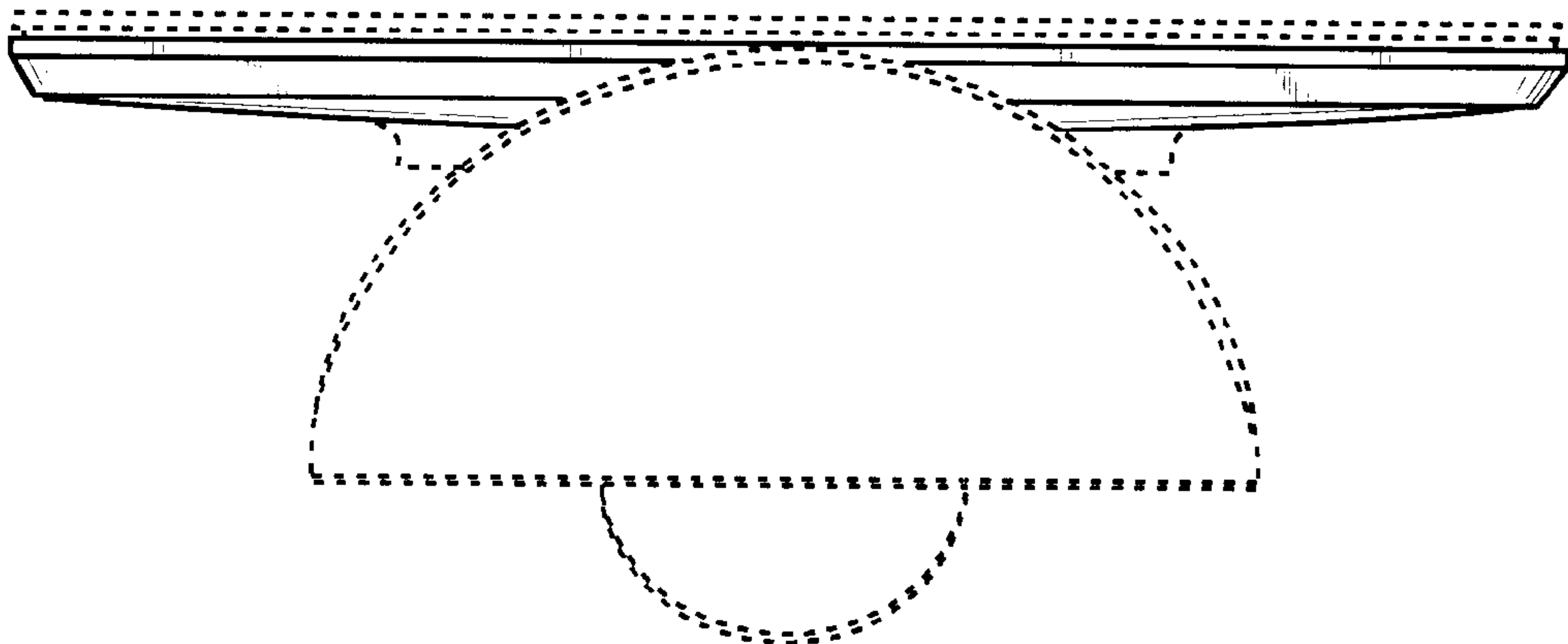


Fig. 7