



US00D471912S

(12) **United States Design Patent**
Camarota et al.

(10) **Patent No.:** **US D471,912 S**

(45) **Date of Patent:** **** Mar. 18, 2003**

(54) **LAPTOP PORT**

(76) Inventors: **Richard J. Camarota**, 424 Graafschap Rd., Holland, MI (US) 49423; **Richard Hartmann, Jr.**, 4629 N. 168th Ave., Holland, MI (US) 49424; **Gary Alsobrook**, Metcalf Rd., Shelby, NC (US) 28150

(**) Term: **14 Years**

(21) Appl. No.: **29/135,798**

(22) Filed: **Jan. 16, 2001**

(51) **LOC (7) Cl.** **14-02**

(52) **U.S. Cl.** **D14/433; D14/432**

(58) **Field of Search** **D14/432, 433, D14/434, 443; D13/162, 164, 184, 137, 142, 160, 139.4; 200/5 R, 5 A, 6 R, 6 A; 361/627, 628, 631, 643, 644, 655, 668, 673; 439/131, 135, 142, 638**

(56) **References Cited**

U.S. PATENT DOCUMENTS

D275,105 S	*	8/1984	Kuschewsk et al.	D14/443
D279,892 S	*	7/1985	Brockway	D13/164
D327,061 S		6/1992	Soren et al.		
D348,936 S	*	7/1994	Swick et al.	D24/201
D363,741 S		10/1995	Leff et al.		
D380,446 S	*	7/1997	Chou	D13/142
D398,587 S		9/1998	Pratt		
D413,593 S		9/1999	Suzuki et al.		
D435,021 S	*	12/2000	Davis et al.	D13/162
D454,130 S	*	3/2002	Do et al.	D14/433
D460,736 S	*	7/2002	Pincek et al.	D13/139.4

OTHER PUBLICATIONS

Webpage print-out from American Power Conversion Corp. Showing Powermanager™ Surge Suppressor (date unknown) (2 pages).

Copy of drawings of U.S. design application Ser. No. 29/122,394 filed Apr. 24, 2000, assigned to the Assignee of the present invention, and having an effective date before Jan. 16, 2001.

* cited by examiner

Primary Examiner—Kay H. Chin

(74) *Attorney, Agent, or Firm*—Flynn, Thiel, Boutell & Tanis, P.C.

(57) **CLAIM**

The ornamental design of a laptop port, as shown and described.

DESCRIPTION

FIG. 1 is a pictorial view, taken from the top, right side, and rear of a laptop port showing our new design;

FIG. 2 is a front elevational view thereof;

FIG. 3 is a rear elevational view thereof;

FIG. 4 is a top view thereof;

FIG. 5 is a right side elevational view thereof, the left side elevational view being a mirror image thereof;

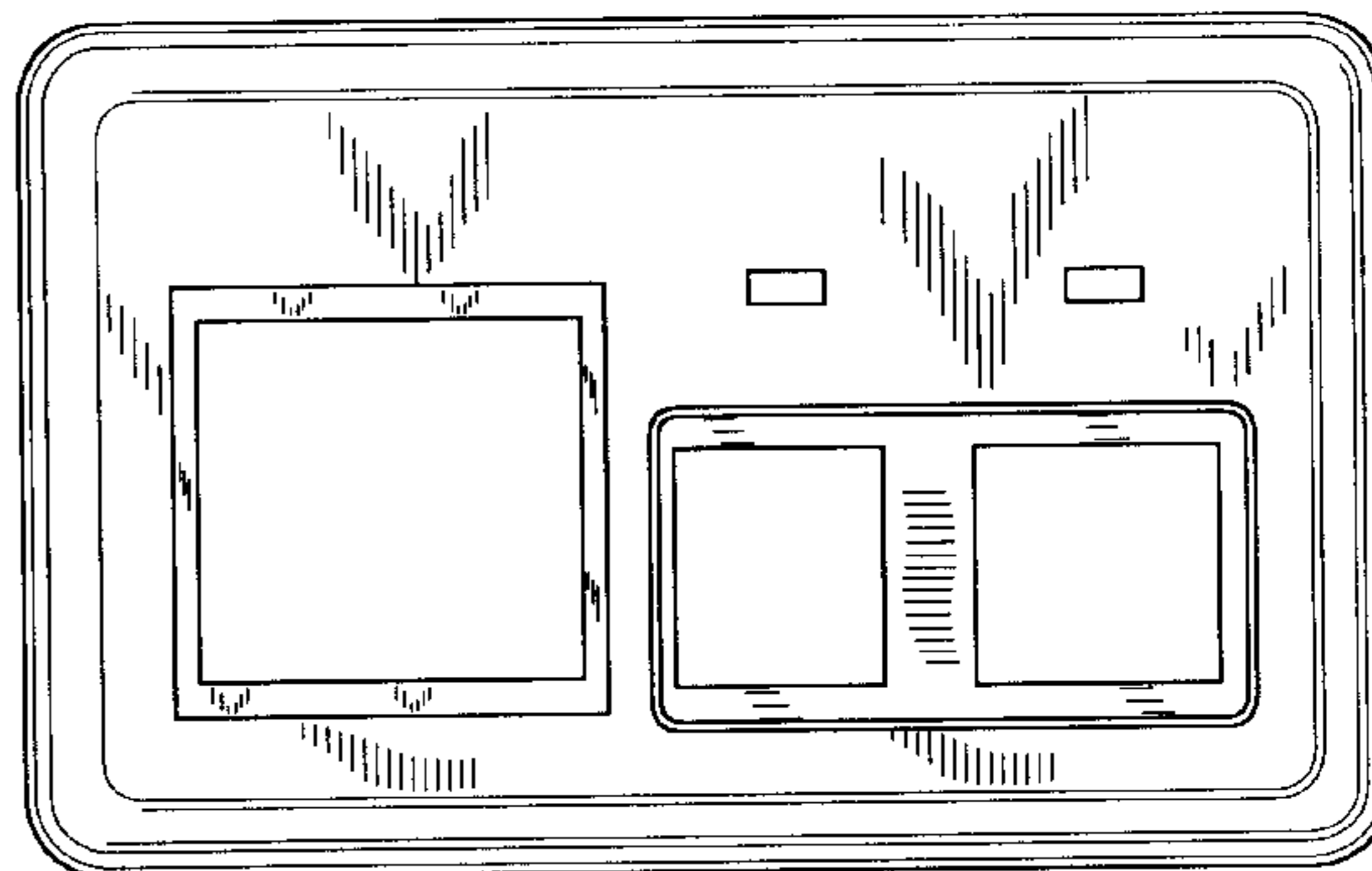
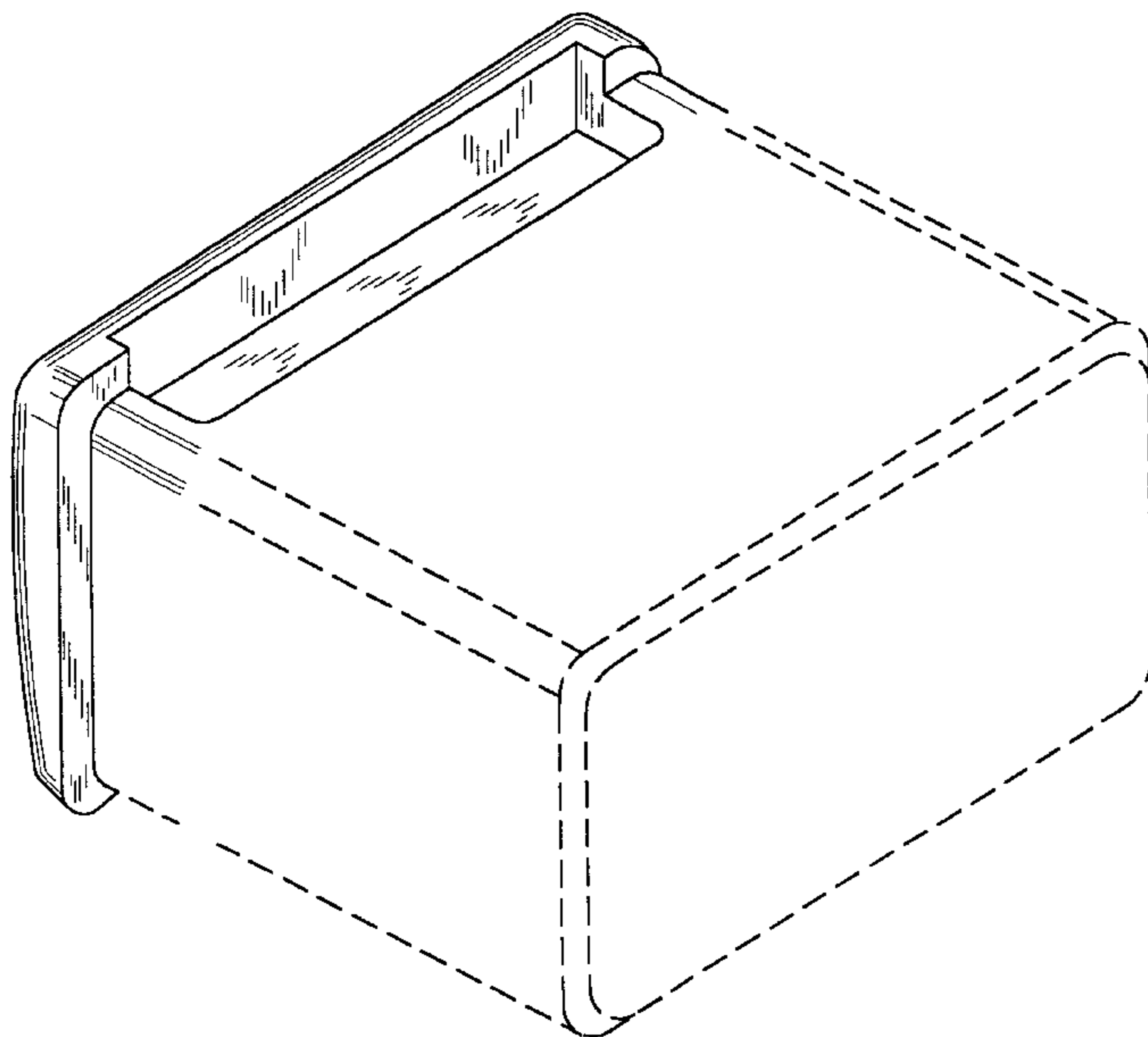
FIG. 6 is a fragmentary view similar to FIG. 5;

FIG. 7 is similar to FIG. 2 but adding, in broken line, environmental subject matter which is not part of our claimed design; and,

FIG. 8 is a bottom view of the FIG. 1 design.

Throughout the drawings, broken lines depict environmental subject matter which is not part of our claimed design.

1 Claim, 5 Drawing Sheets



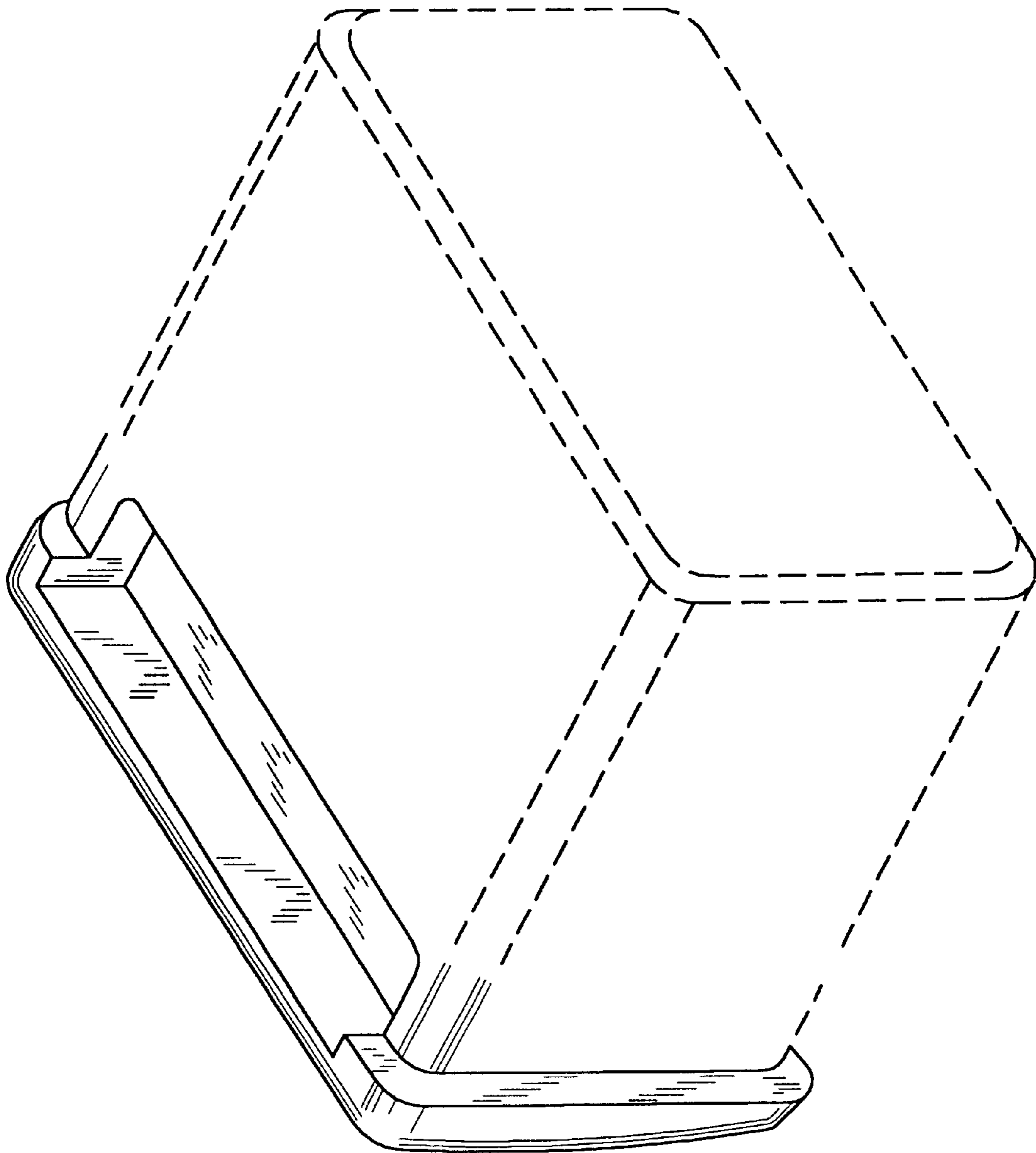


FIG. 1

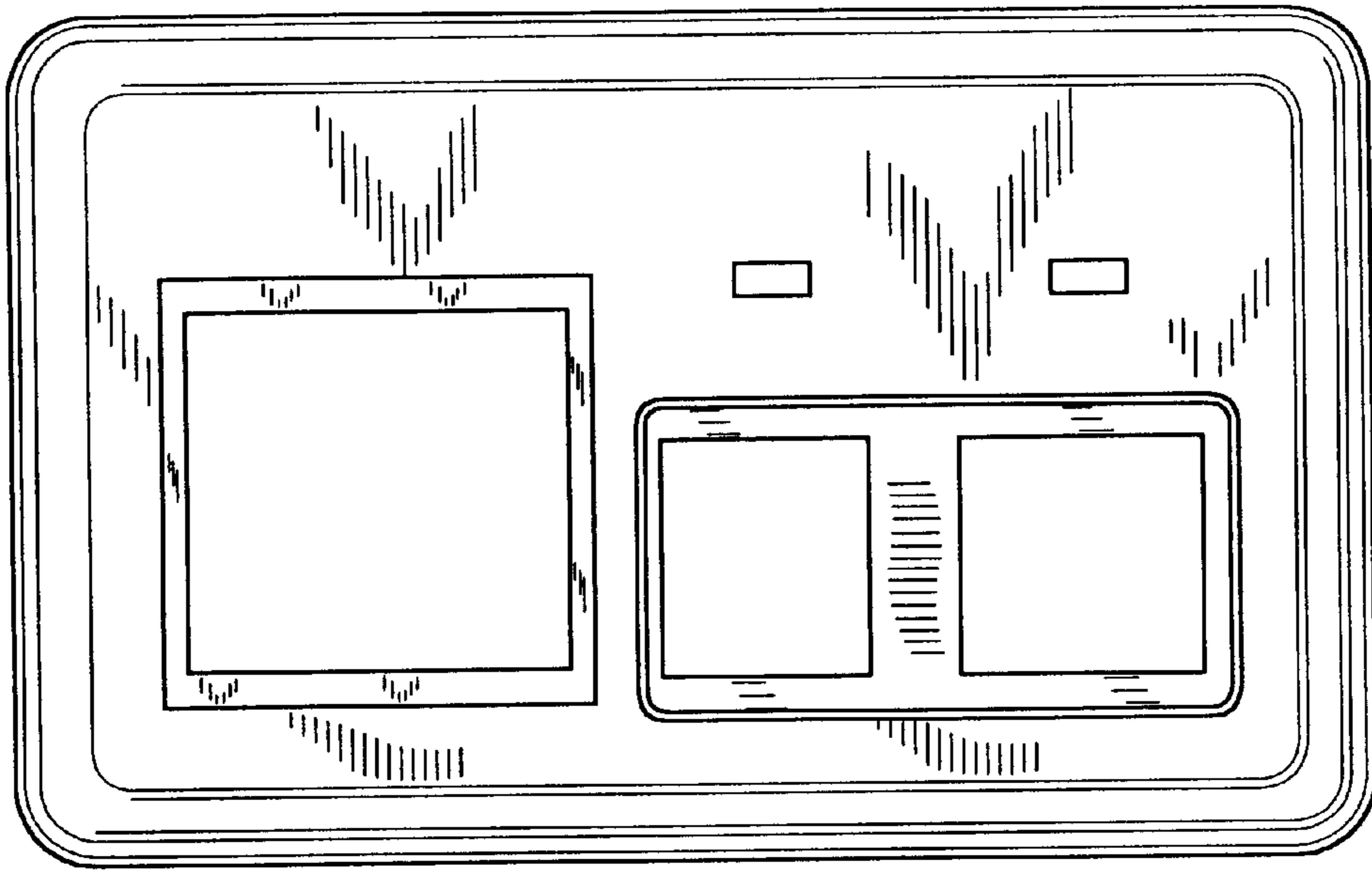


FIG. 2

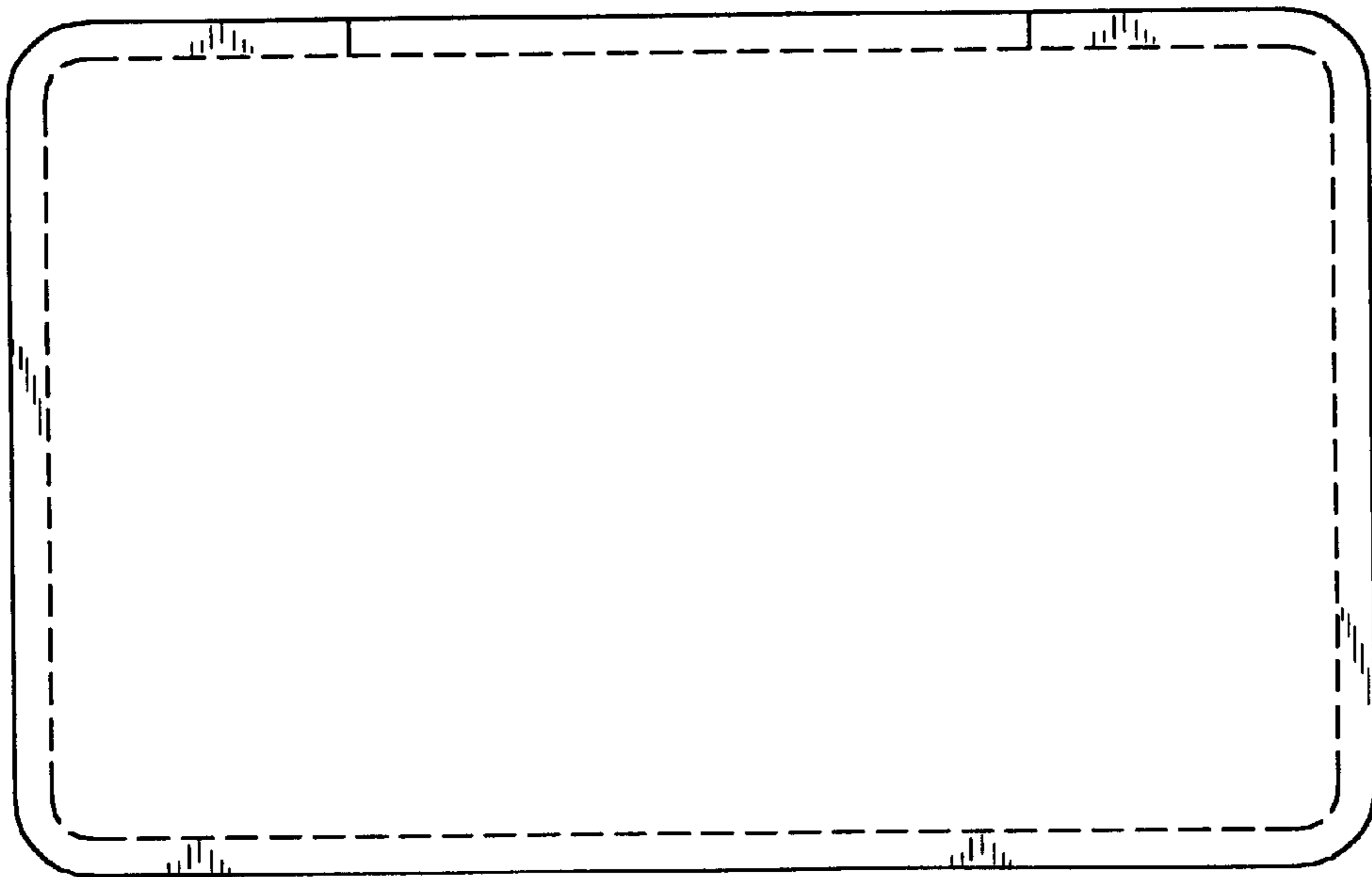


FIG. 3

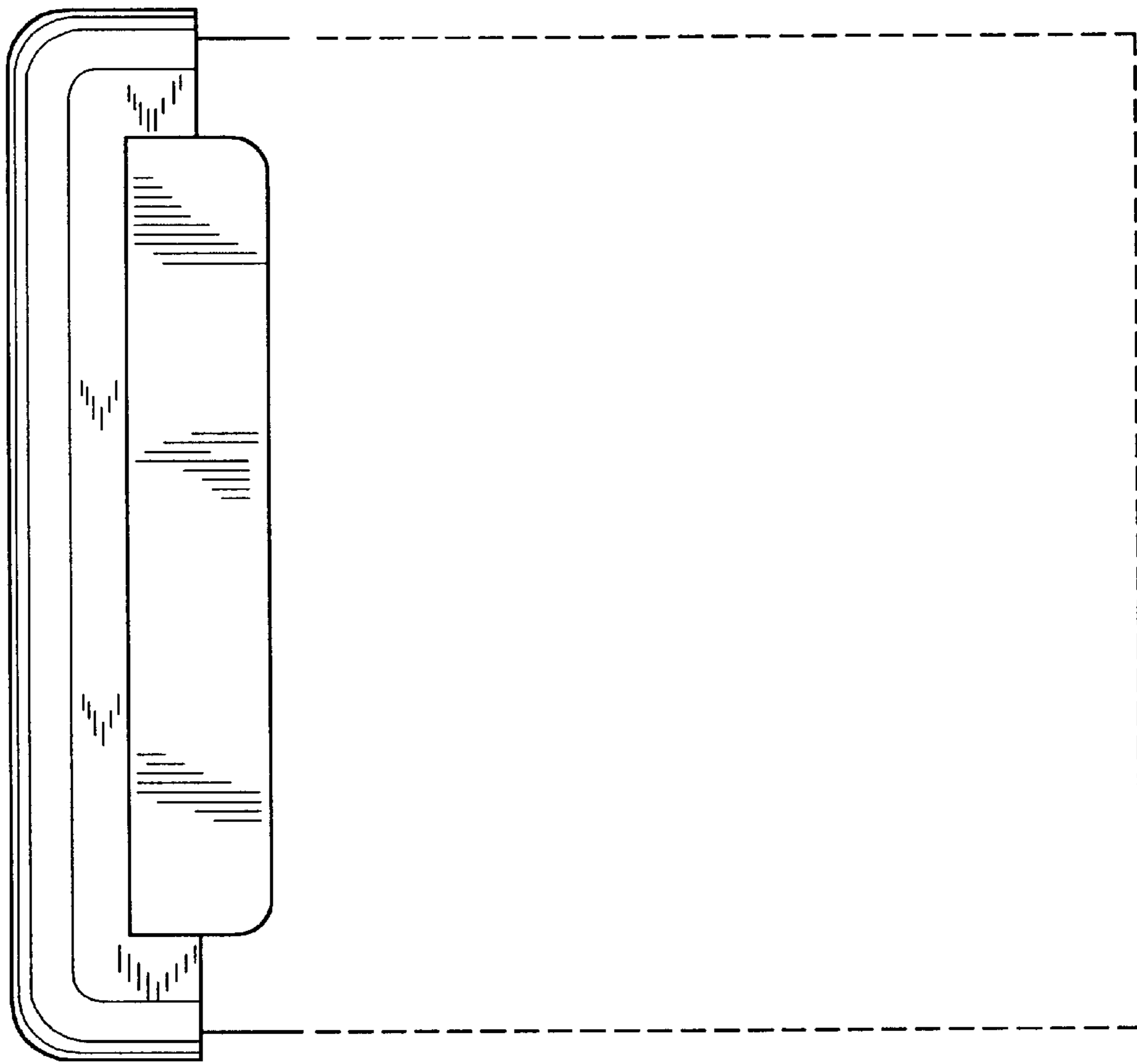


FIG. 4

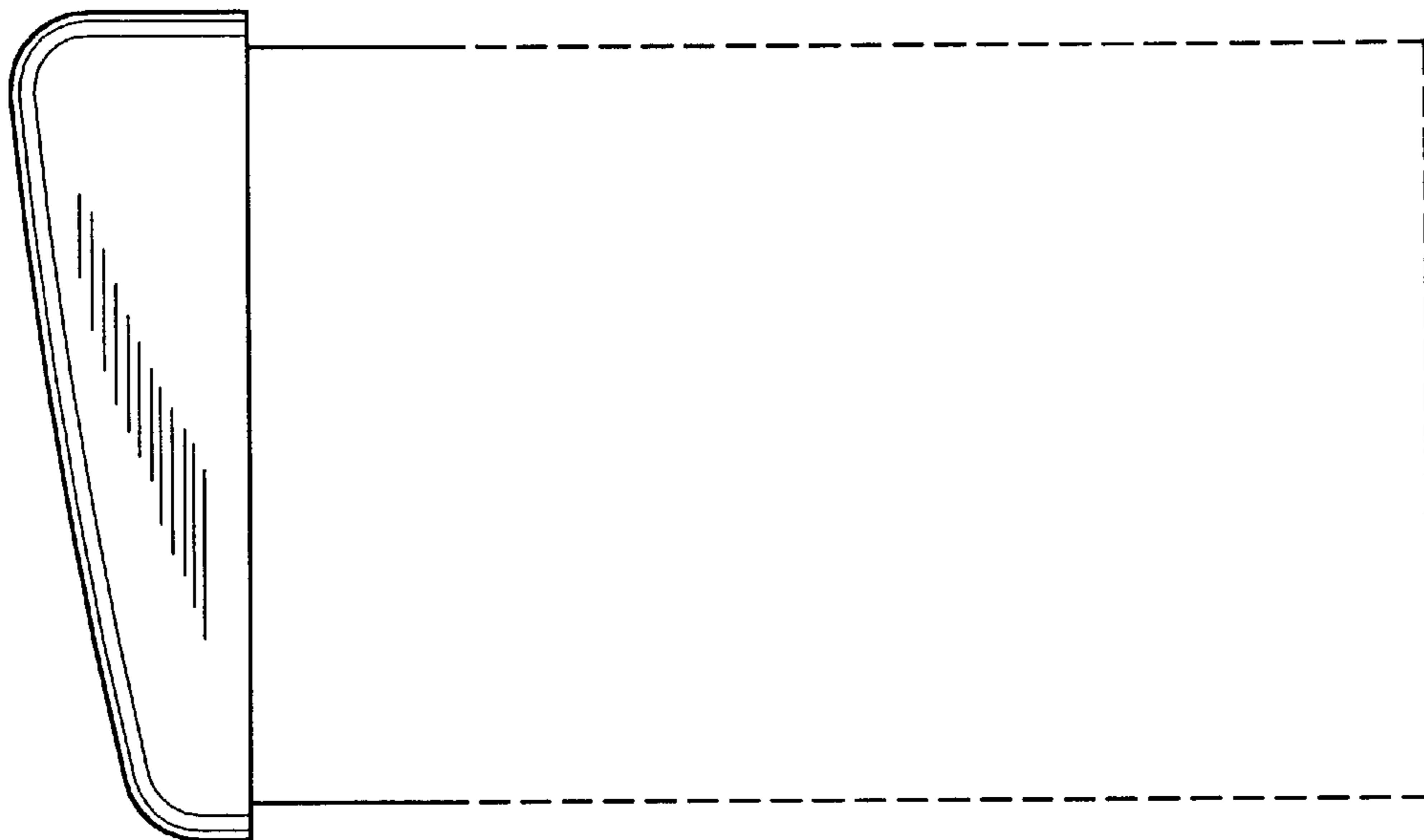


FIG. 5

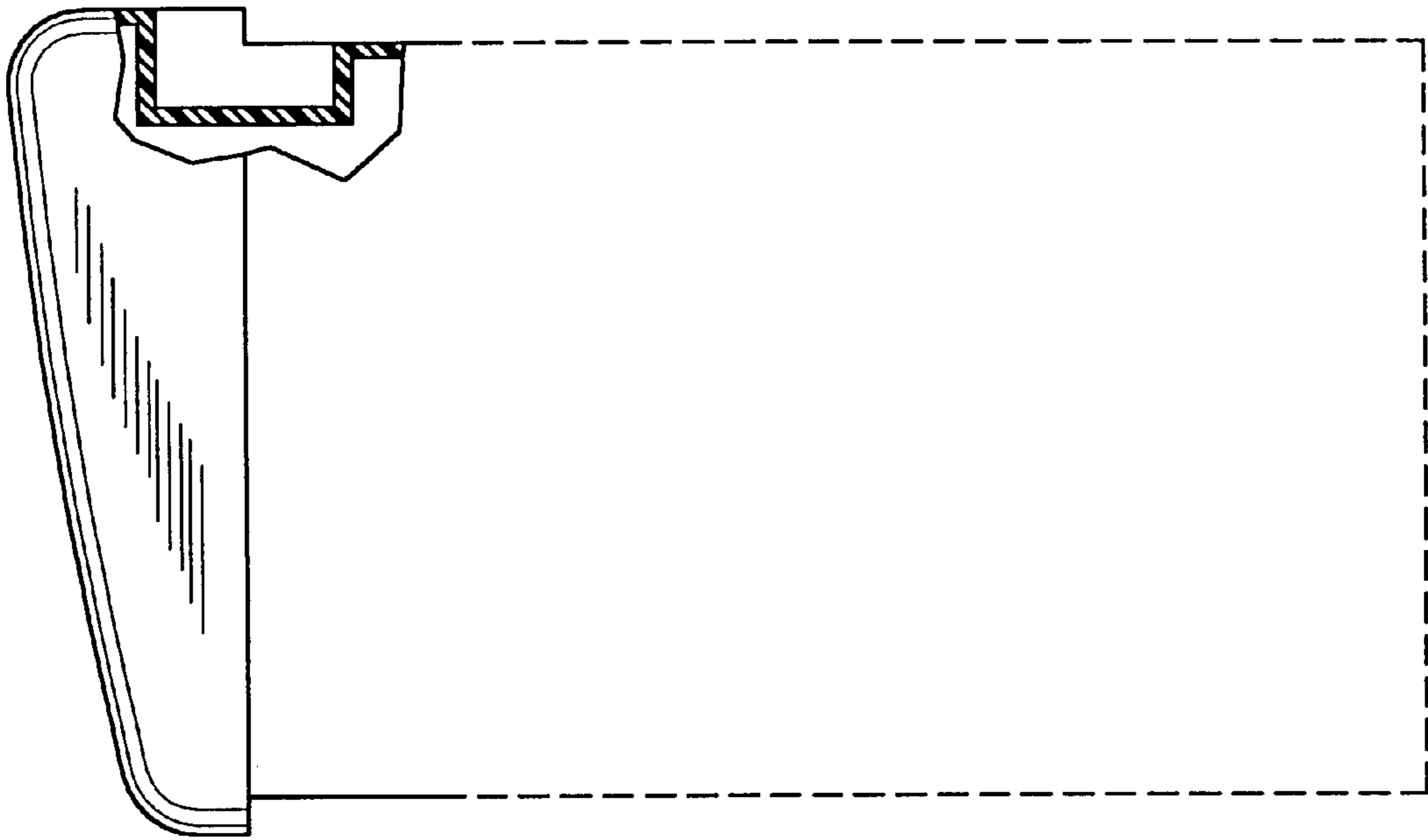


FIG. 6

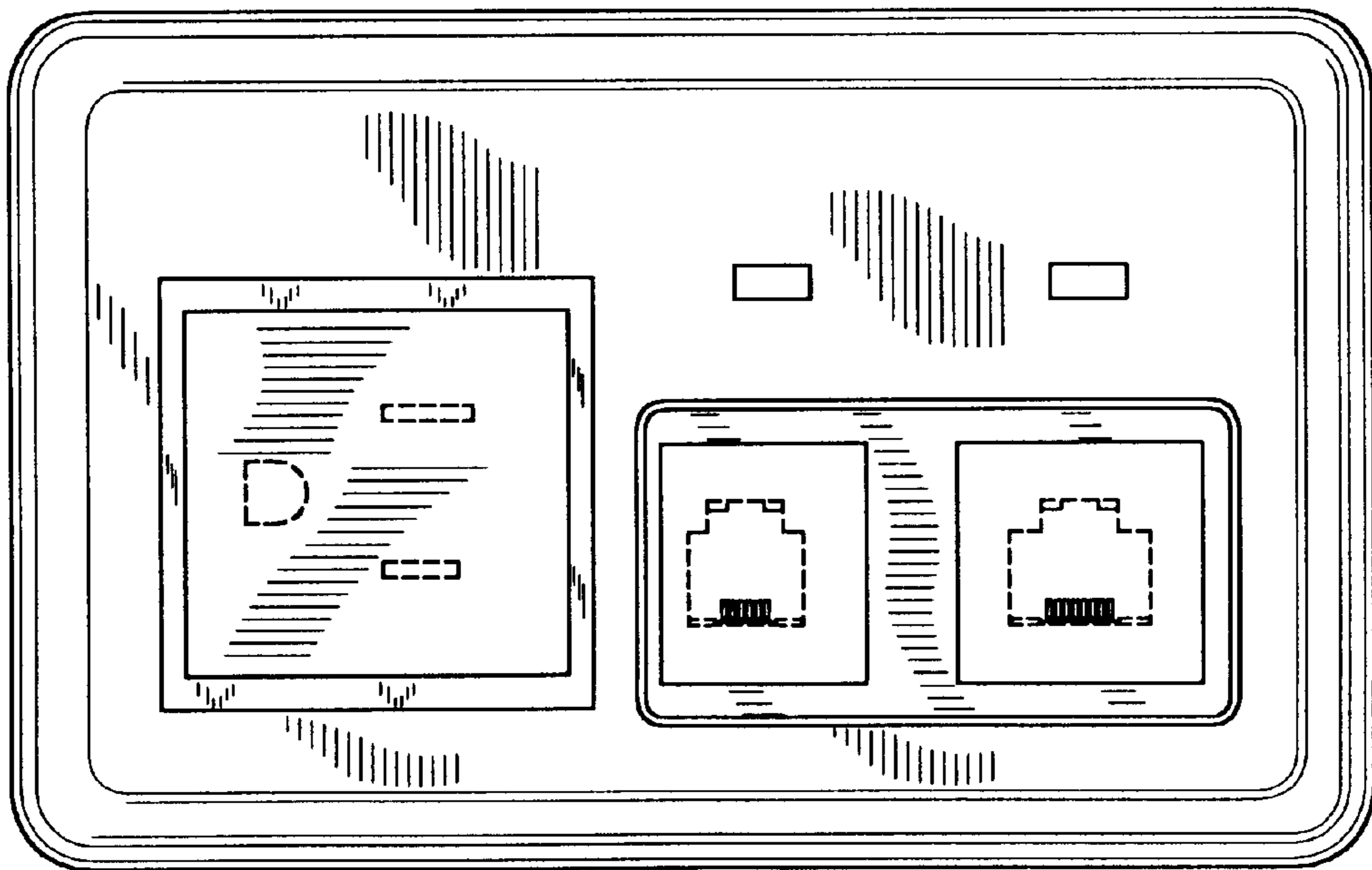


FIG. 7

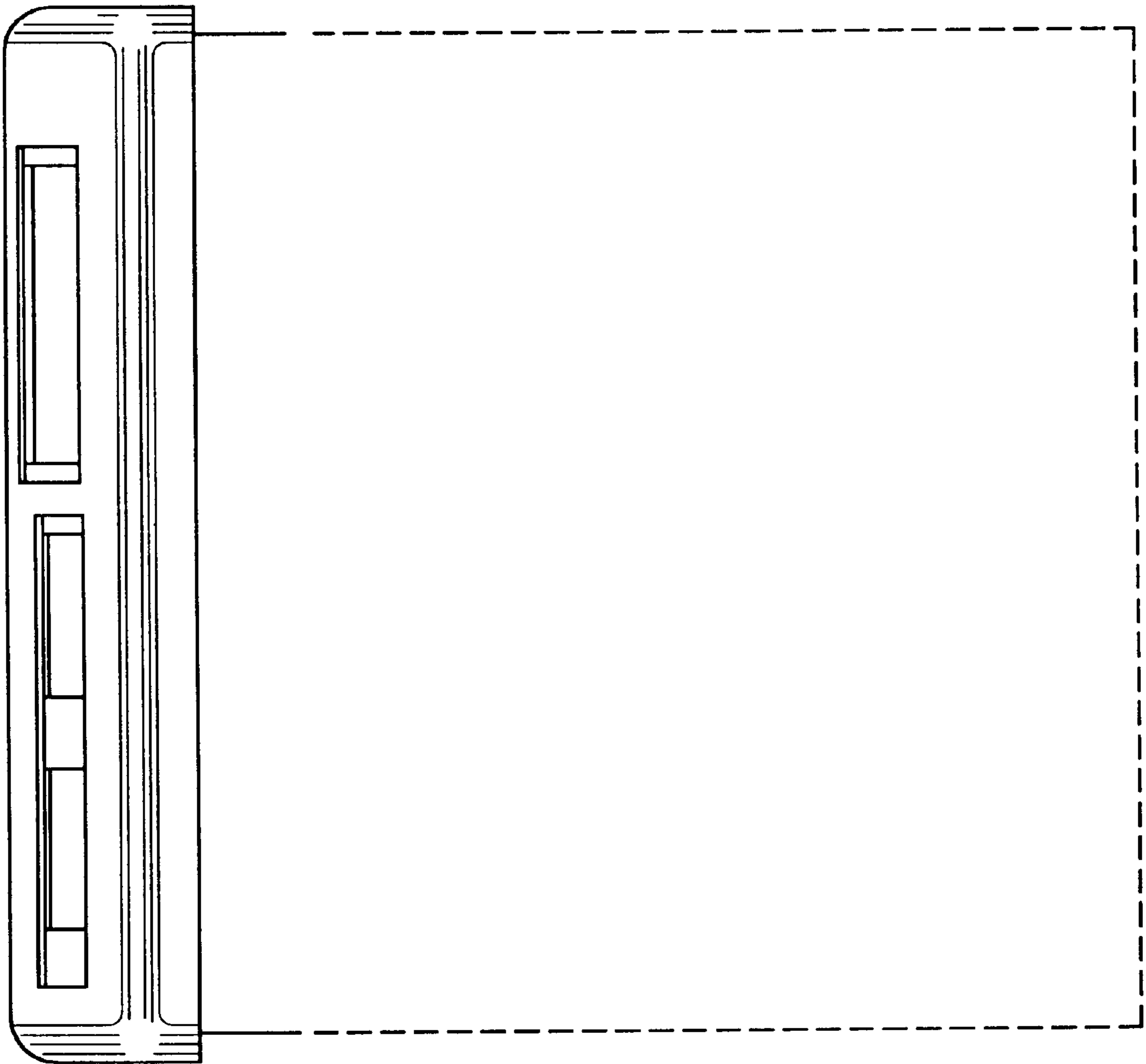


FIG. 8