



US00D471910S

(12) **United States Design Patent**
Cheng

(10) **Patent No.:** **US D471,910 S**

(45) **Date of Patent:** **** Mar. 18, 2003**

(54) **KEYBOARD**

D442,589 S * 5/2001 Ledbetter et al. D14/393
D443,271 S * 6/2001 Poole et al. D14/392

(76) Inventor: **Kuo Shu Cheng**, 6F, No. 108,
Min-Chuan Rd., Hsin-Tien City, Taipei
Hsien (TW)

* cited by examiner

(**) Term: **14 Years**

Primary Examiner—Freda Nunn
(74) *Attorney, Agent, or Firm*—Rosenberg, Klein & Lee

(21) Appl. No.: **29/152,702**

(57) **CLAIM**

(22) Filed: **Dec. 31, 2001**

The ornamental design for a keyboard, as shown and described.

(51) **LOC (7) Cl.** **14-02**

DESCRIPTION

(52) **U.S. Cl.** **D14/396**

(58) **Field of Search** D14/391, 392,
D14/396, 398; D18/1, 2, 7; 178/17 A, 17 C;
200/5 A, 5 R, 6 A, 6 R; 235/145 A, 145 R;
341/22, 23; 345/160, 168; 400/484-486,
488, 489, 492

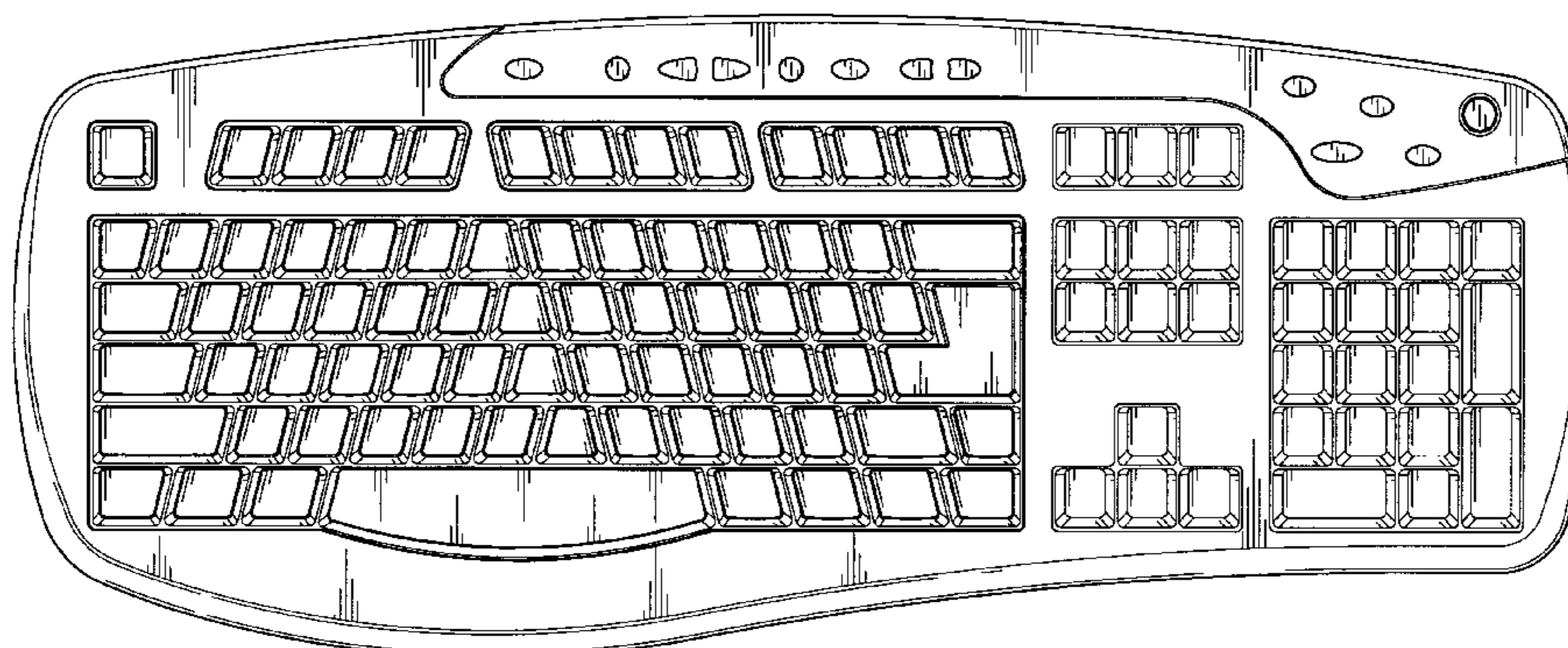
FIG. 1 is the perspective view of a keyboard showing my new design;
FIG. 2 is the front view thereof;
FIG. 3 is the rear view thereof;
FIG. 4 is the left side view thereof;
FIG. 5 is the right side view thereof;
FIG. 6 is the top view thereof; and,
FIG. 7 is the bottom view thereof.

(56) **References Cited**

U.S. PATENT DOCUMENTS

D437,597 S * 2/2001 Kaneko et al. D14/396

1 Claim, 5 Drawing Sheets



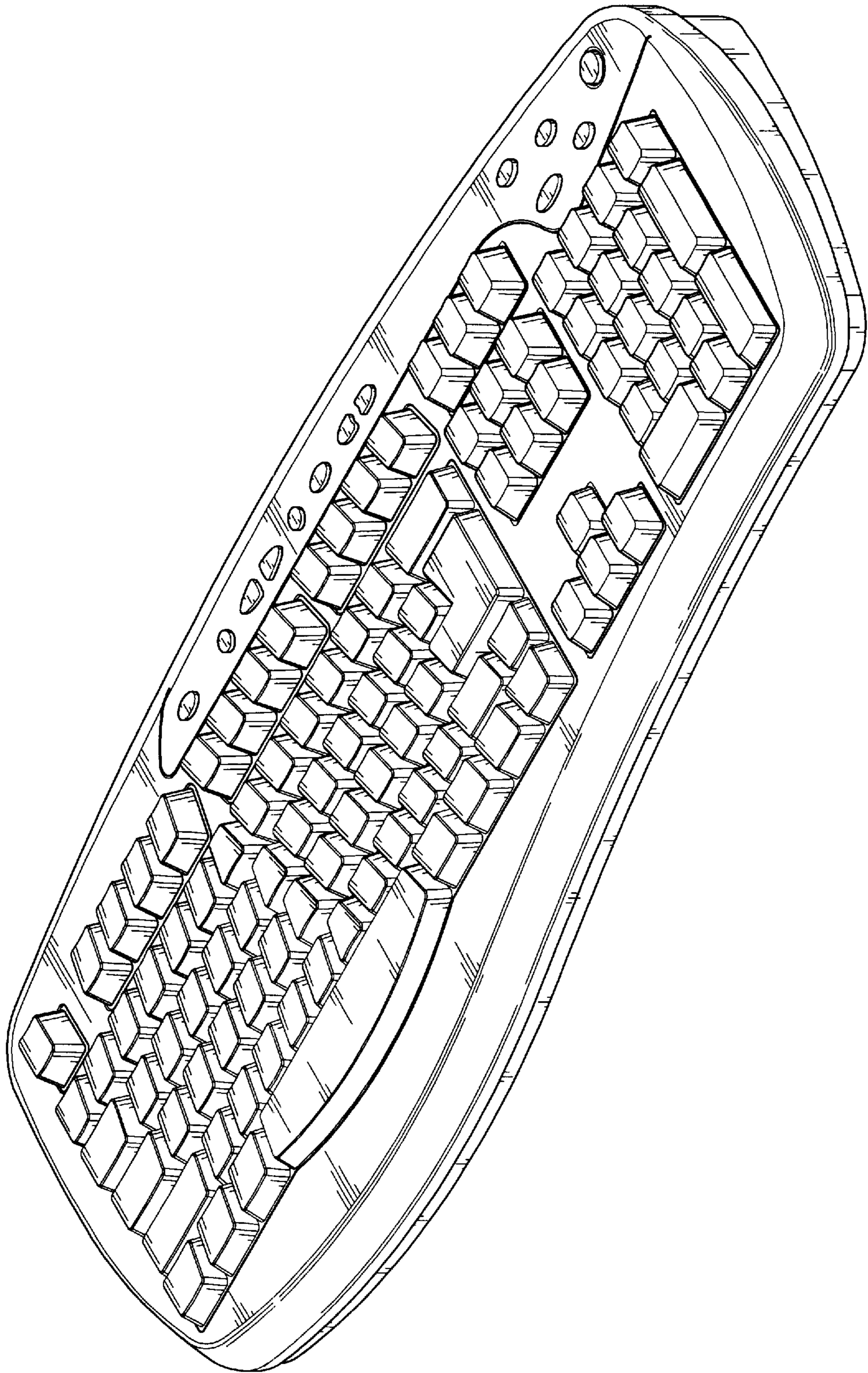


FIG. 1

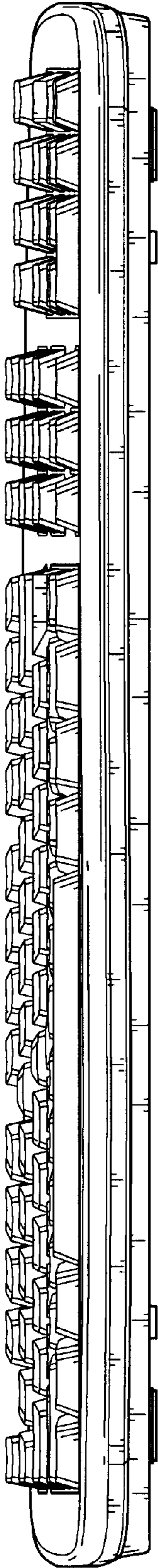


FIG. 2

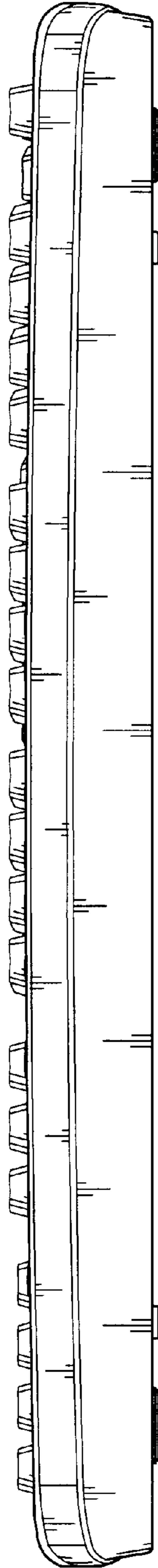


FIG. 3

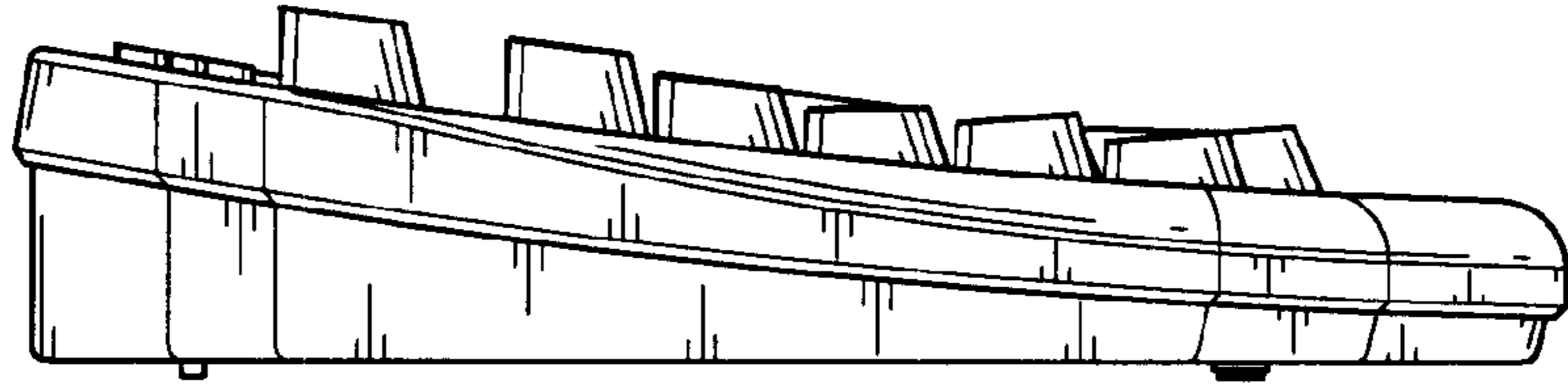


FIG. 4

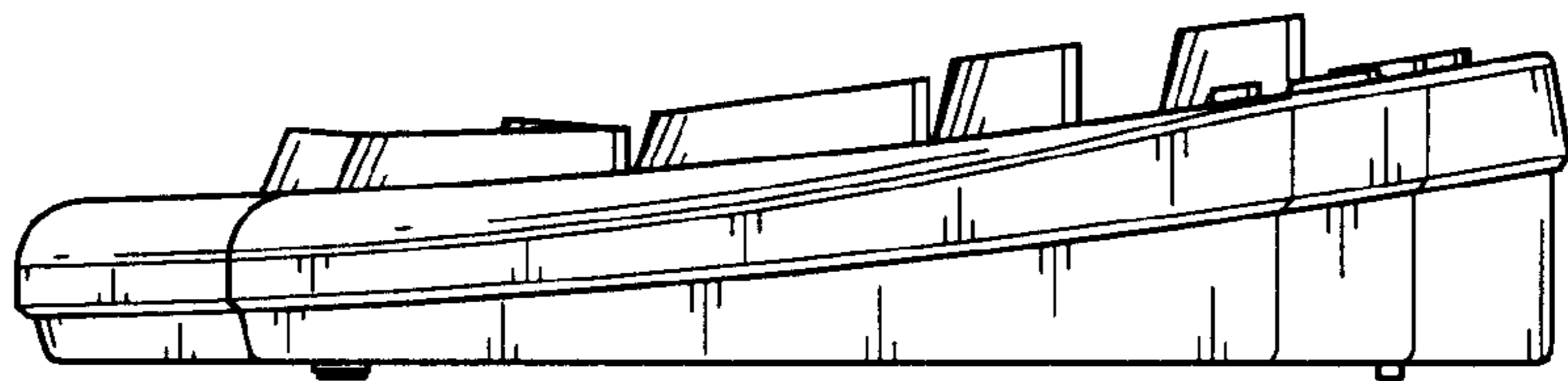


FIG. 5

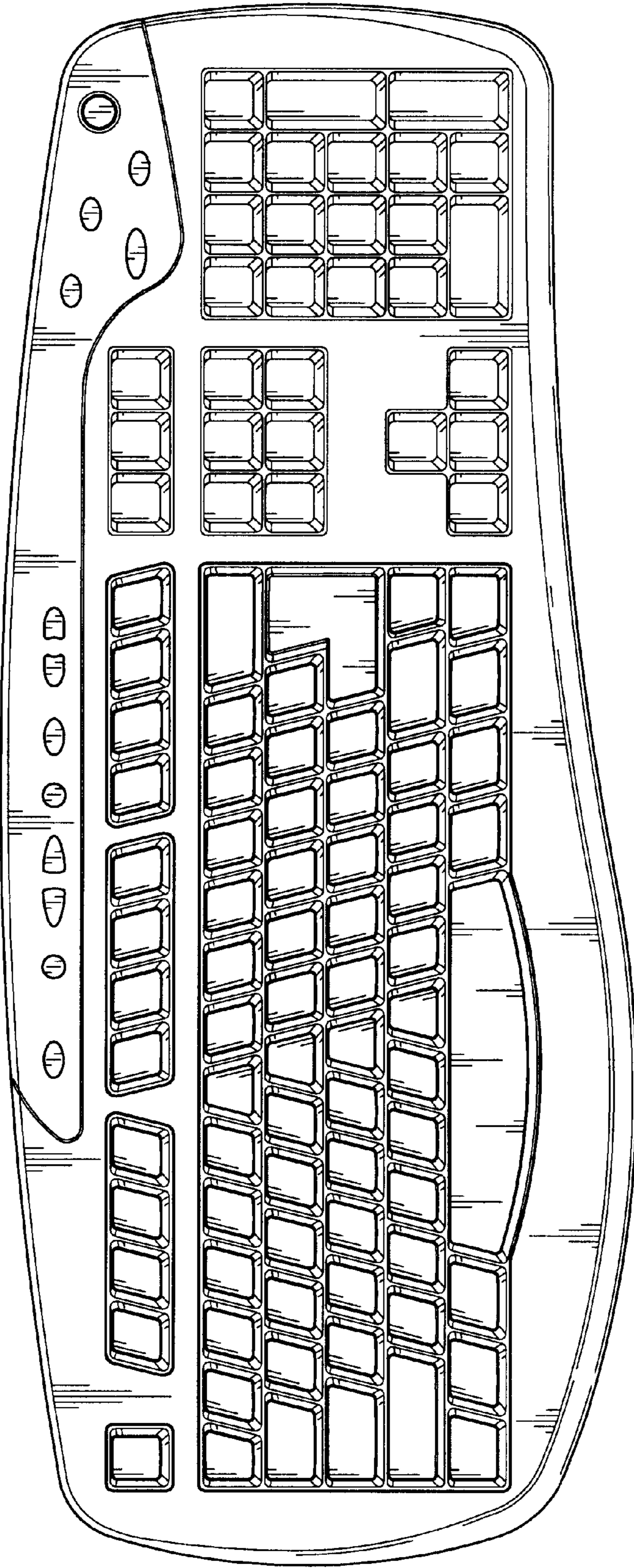


FIG. 6

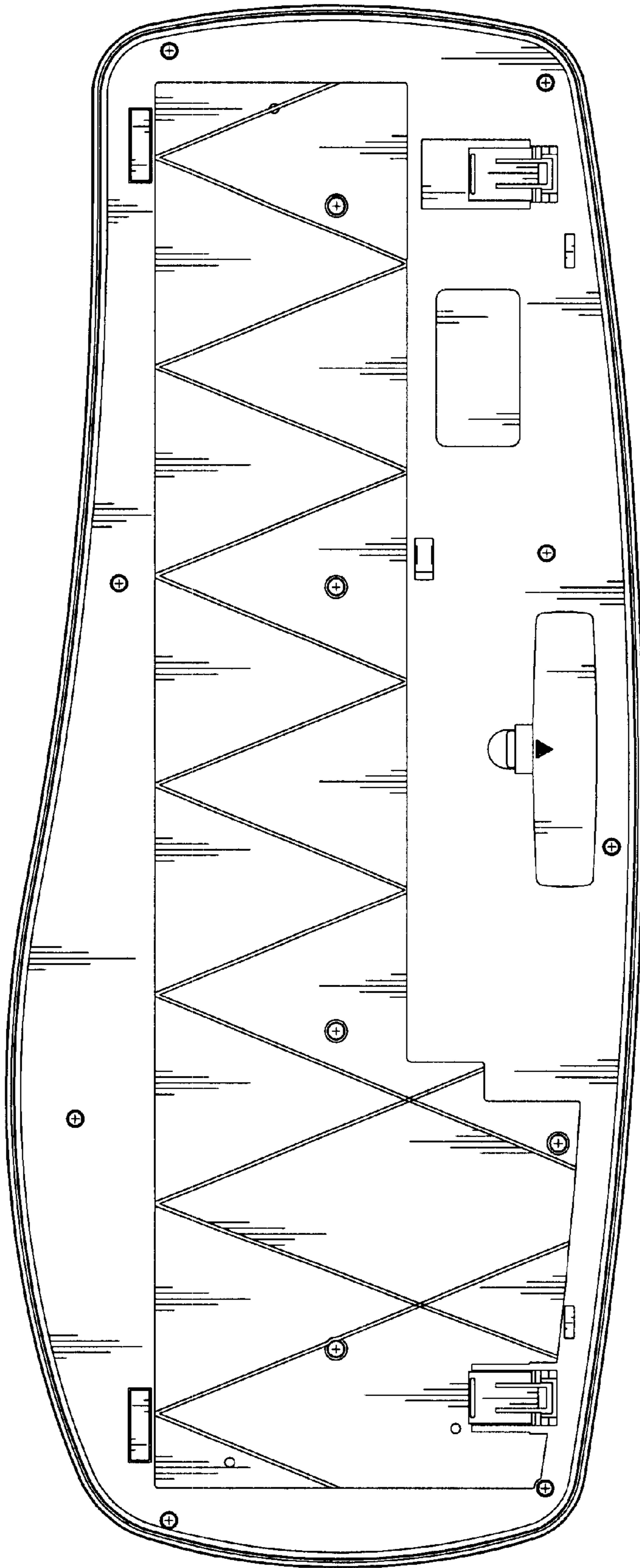


FIG. 7