



US00D471906S

(12) **United States Design Patent**  
**Salazar et al.**

(10) **Patent No.:** **US D471,906 S**  
(45) **Date of Patent:** **\*\* Mar. 18, 2003**

(54) **DESK STAND**

(75) Inventors: **Eduardo Salazar**, Woodland Hills, CA (US); **Sheldon Phillips**, Thousand Oaks, CA (US); **Frank Nuovo**, Los Angeles, CA (US)

(73) Assignee: **Vertu Ltd.**, London (GB)

(\*\*) Term: **14 Years**

(21) Appl. No.: **29/150,686**

(22) Filed: **Nov. 27, 2001**

(51) **LOC (7) Cl.** ..... **14-03**

(52) **U.S. Cl.** ..... **D14/253; D13/108**

(58) **Field of Search** ..... D14/137, 434, D14/138, 447, 148, 147, 149-151, 140-142, 240, 241, 251, 253, 252, 451; 379/426, 449, 419, 420.01-420.04, 428.01-428.04, 440, 454, 455, 446; D19/87, 75; 455/550-575, 90; D13/107, 108; 320/110, 113, 114, 115

(56) **References Cited**

**U.S. PATENT DOCUMENTS**

- D204,881 S \* 5/1966 Cook ..... D13/108
- D301,456 S \* 6/1989 Siddoway ..... D13/107

- 5,052,943 A \* 10/1991 Davis ..... 439/357
- D324,370 S \* 3/1992 Lay et al. .... D13/108
- D335,861 S \* 5/1993 Tattari ..... D13/108
- D344,708 S \* 3/1994 Ho ..... D13/108
- D353,371 S \* 12/1994 Delhaes ..... D14/149
- D373,124 S \* 8/1996 Behar et al. .... D14/148
- D386,495 S \* 11/1997 Schmoll ..... D14/149
- D412,162 S \* 7/1999 Tal et al. .... D14/114
- D429,212 S \* 8/2000 Oden, II et al. .... D13/108
- D435,253 S \* 12/2000 Oden, II et al. .... D14/253
- D442,141 S \* 5/2001 Ikenaga ..... D13/107
- 6,438,229 B1 \* 8/2002 Overy et al. .... 379/446

\* cited by examiner

*Primary Examiner*—Jeffrey Asch

(74) *Attorney, Agent, or Firm*—Banner & Witcoff, Ltd.

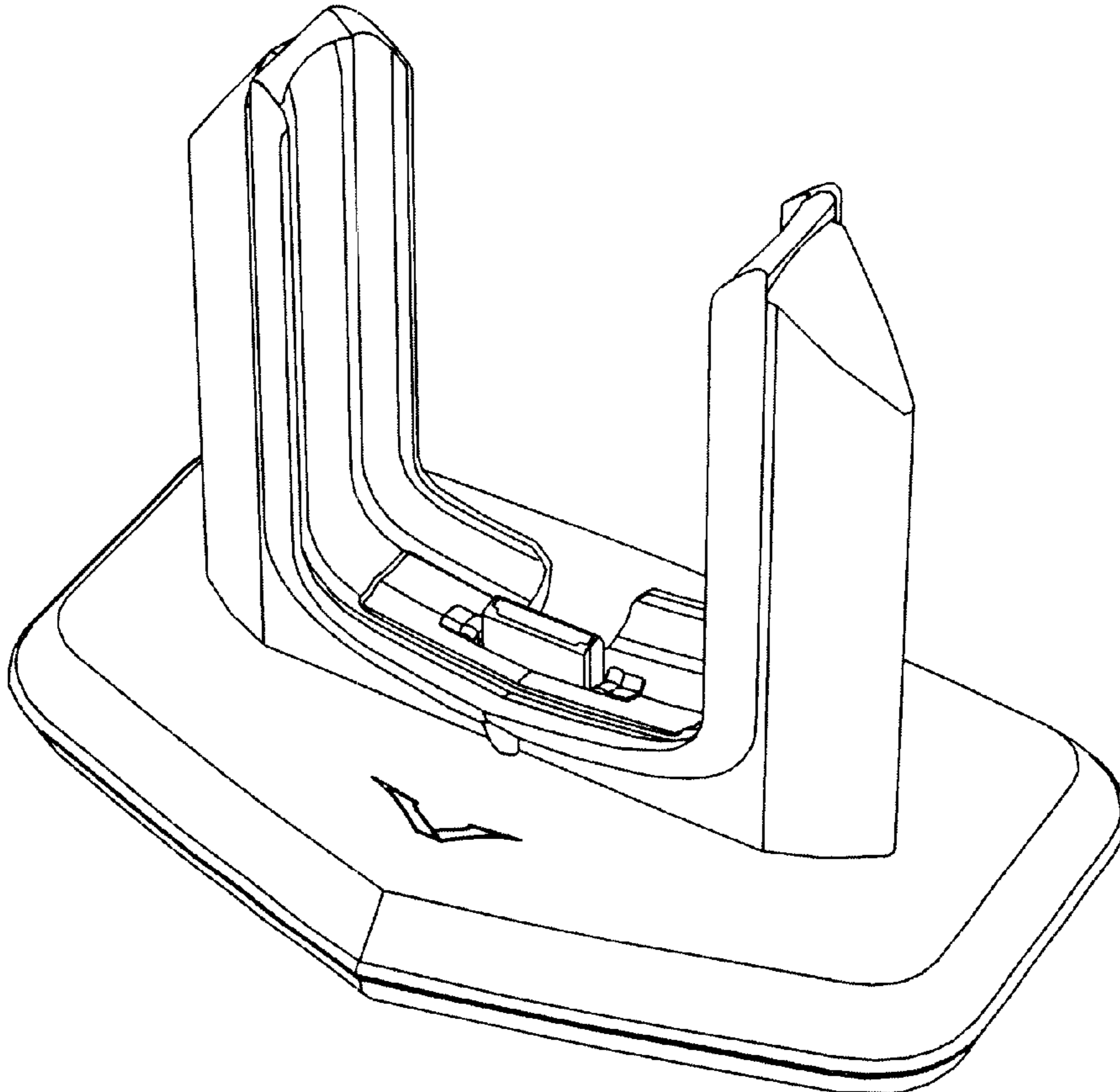
(57) **CLAIM**

We claim the ornamental design for a desk stand, as shown.

**DESCRIPTION**

FIG. 1 is a perspective front view of the desk stand; FIG. 2 is a perspective rear view thereof; FIG. 3 is a front view thereof; FIG. 4 is a left side view thereof; and, FIG. 5 is a right side view thereof.

**1 Claim, 2 Drawing Sheets**



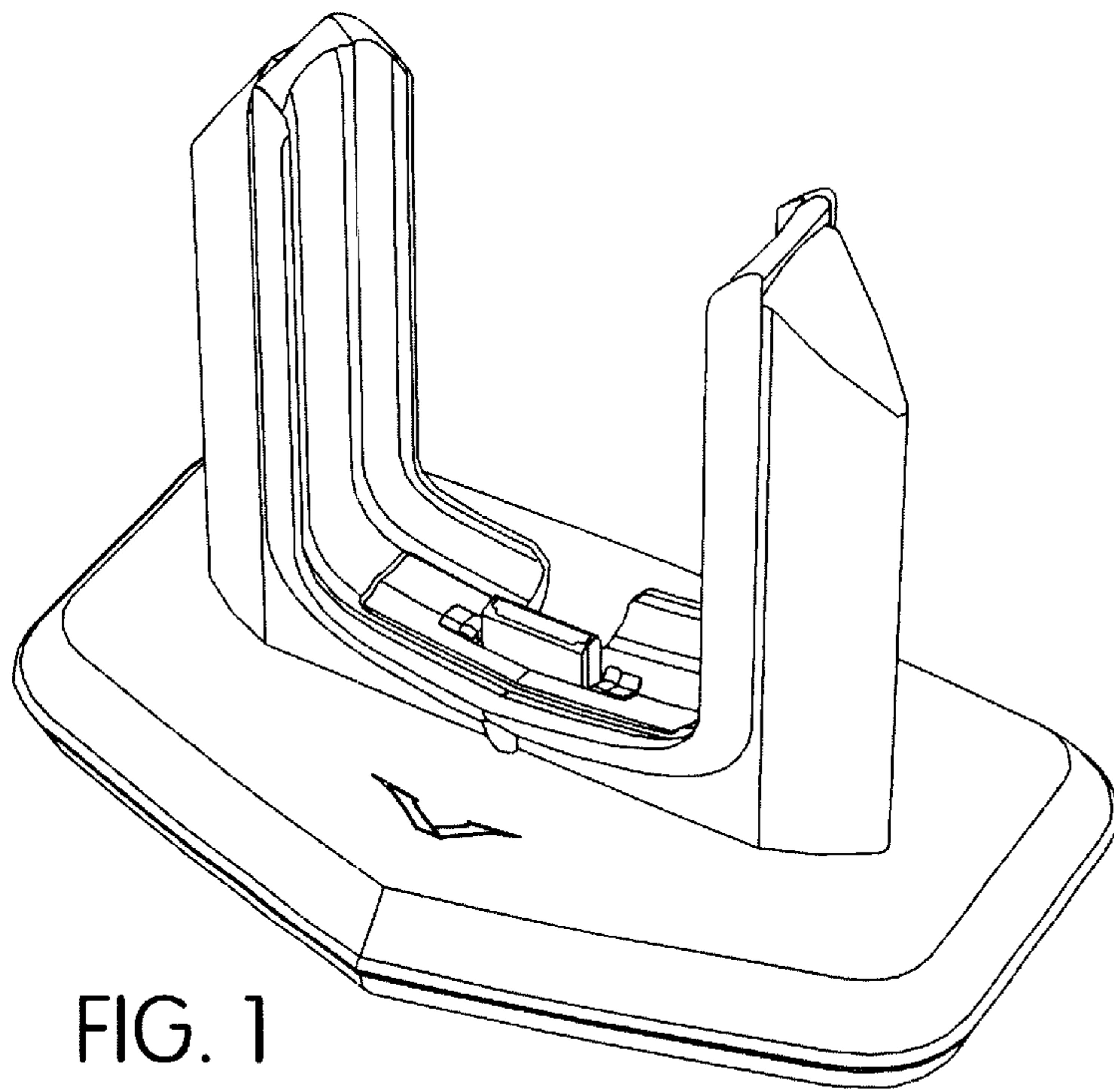


FIG. 1

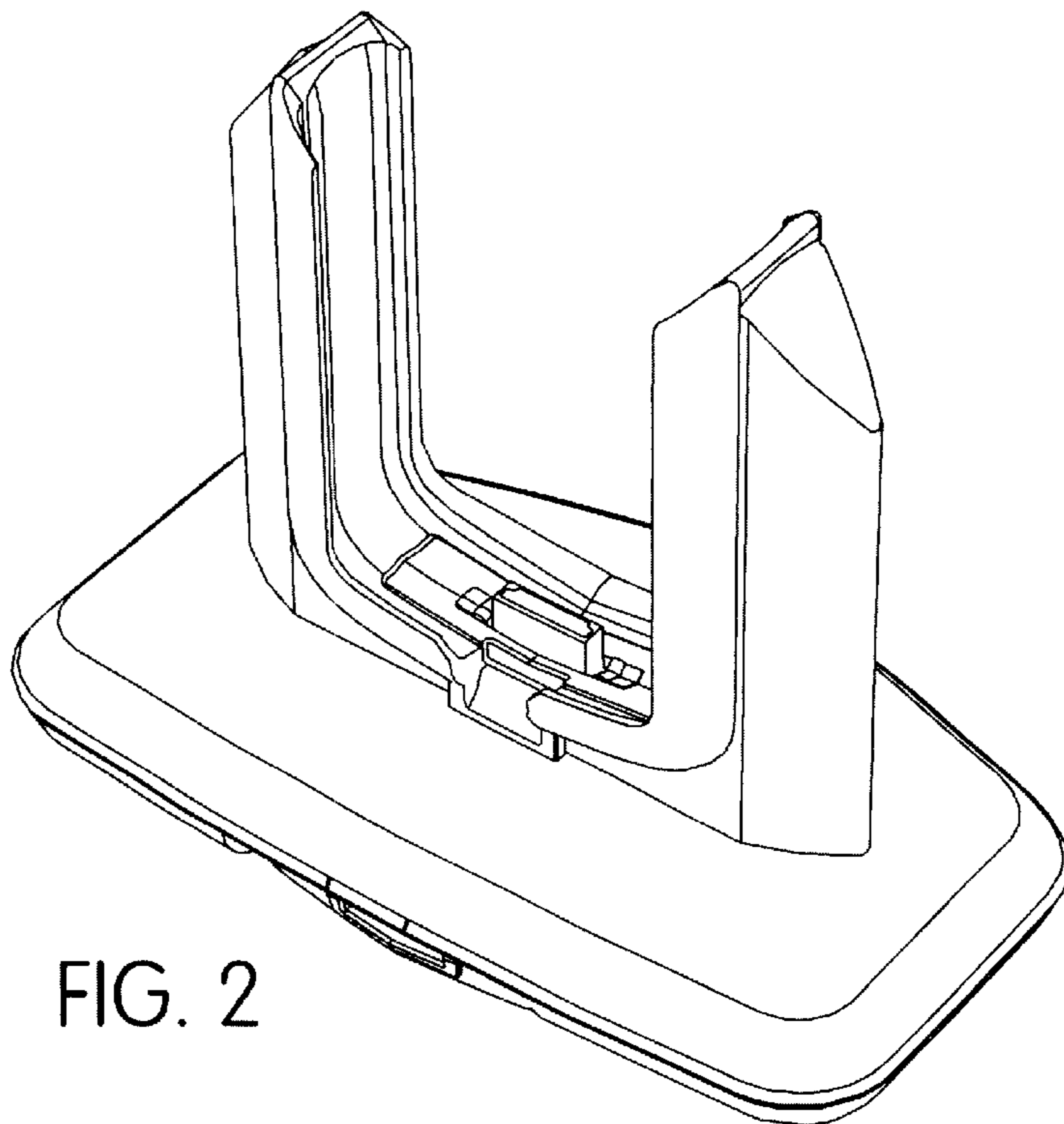


FIG. 2

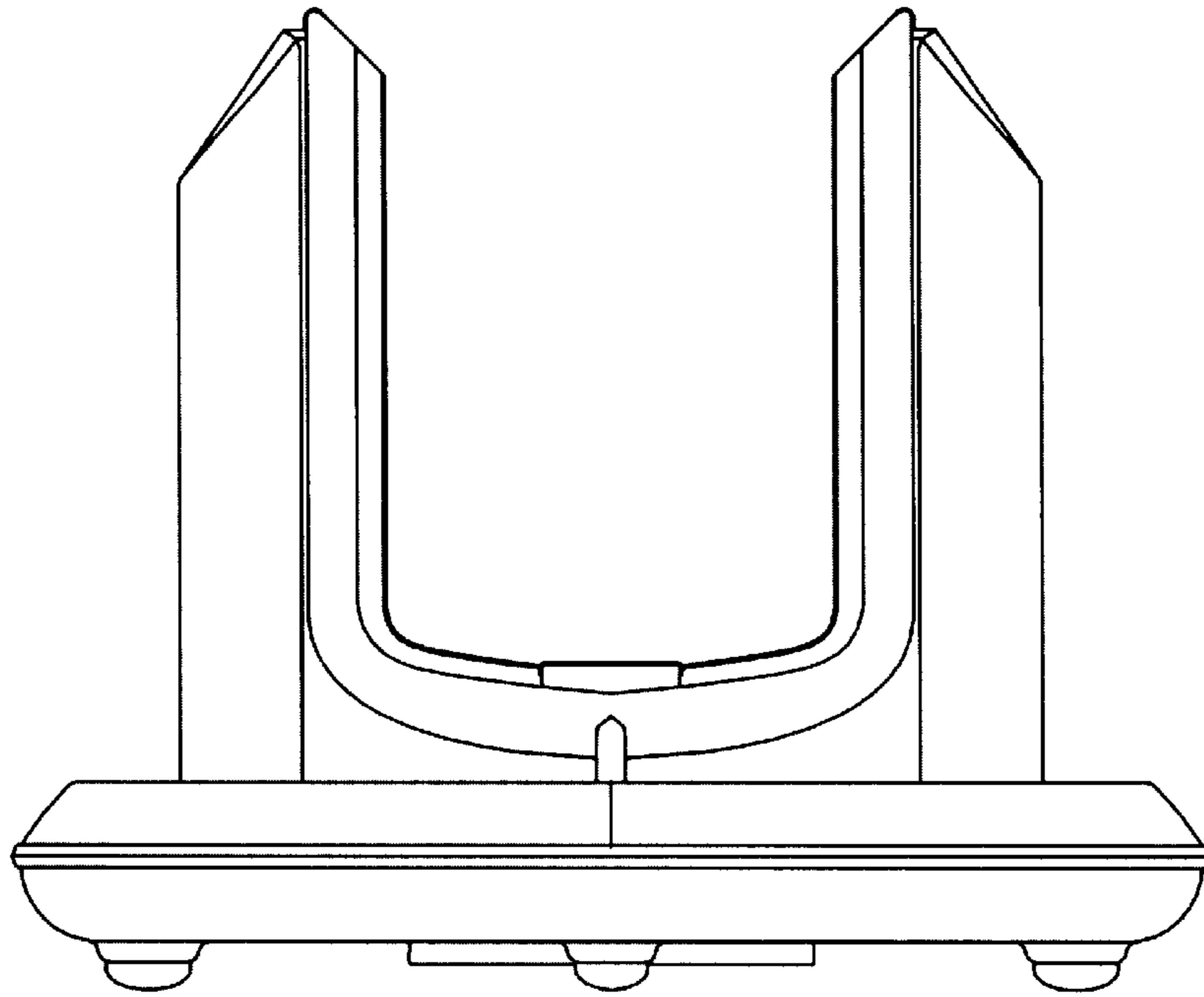


FIG. 3

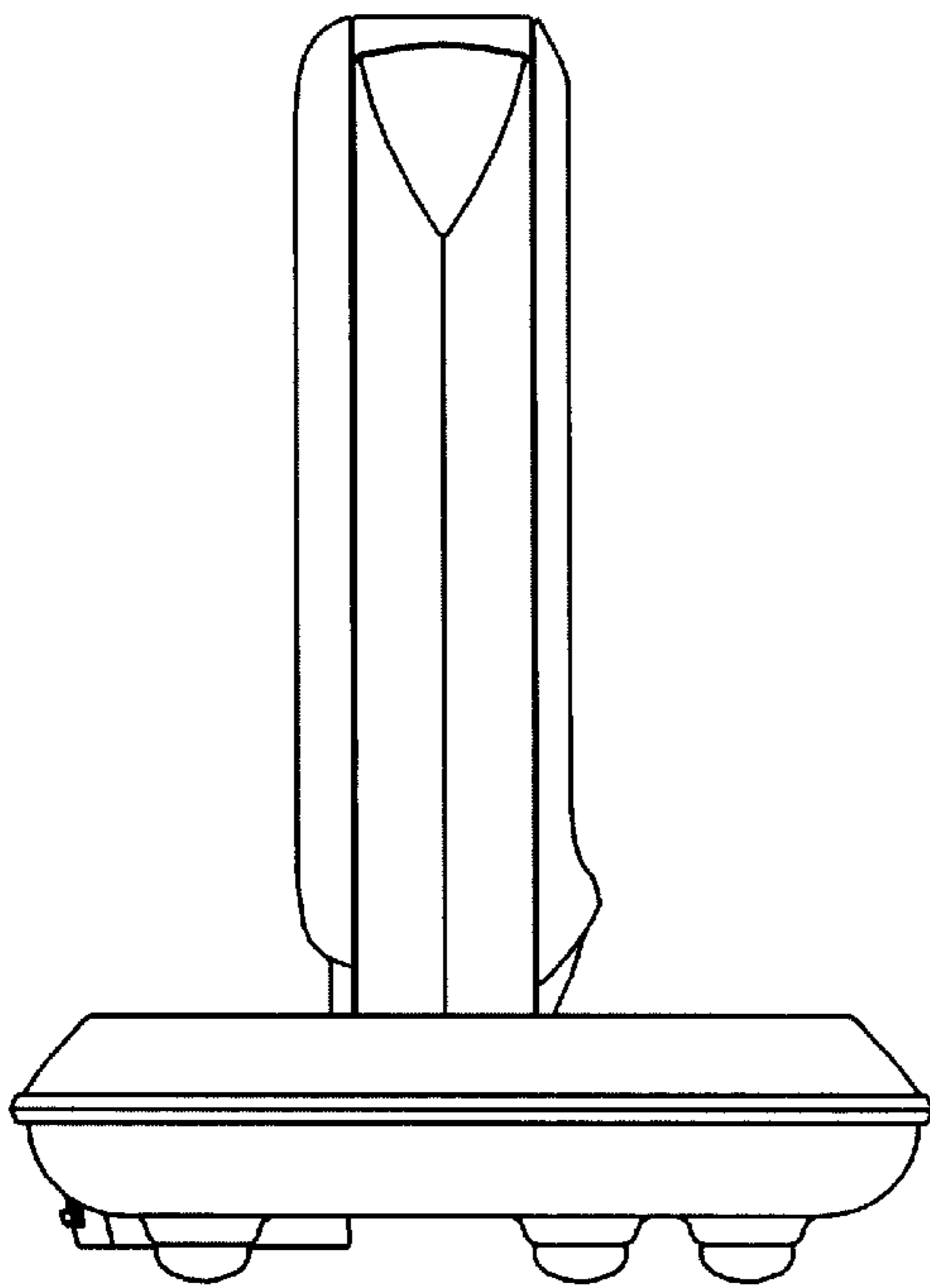


FIG. 4

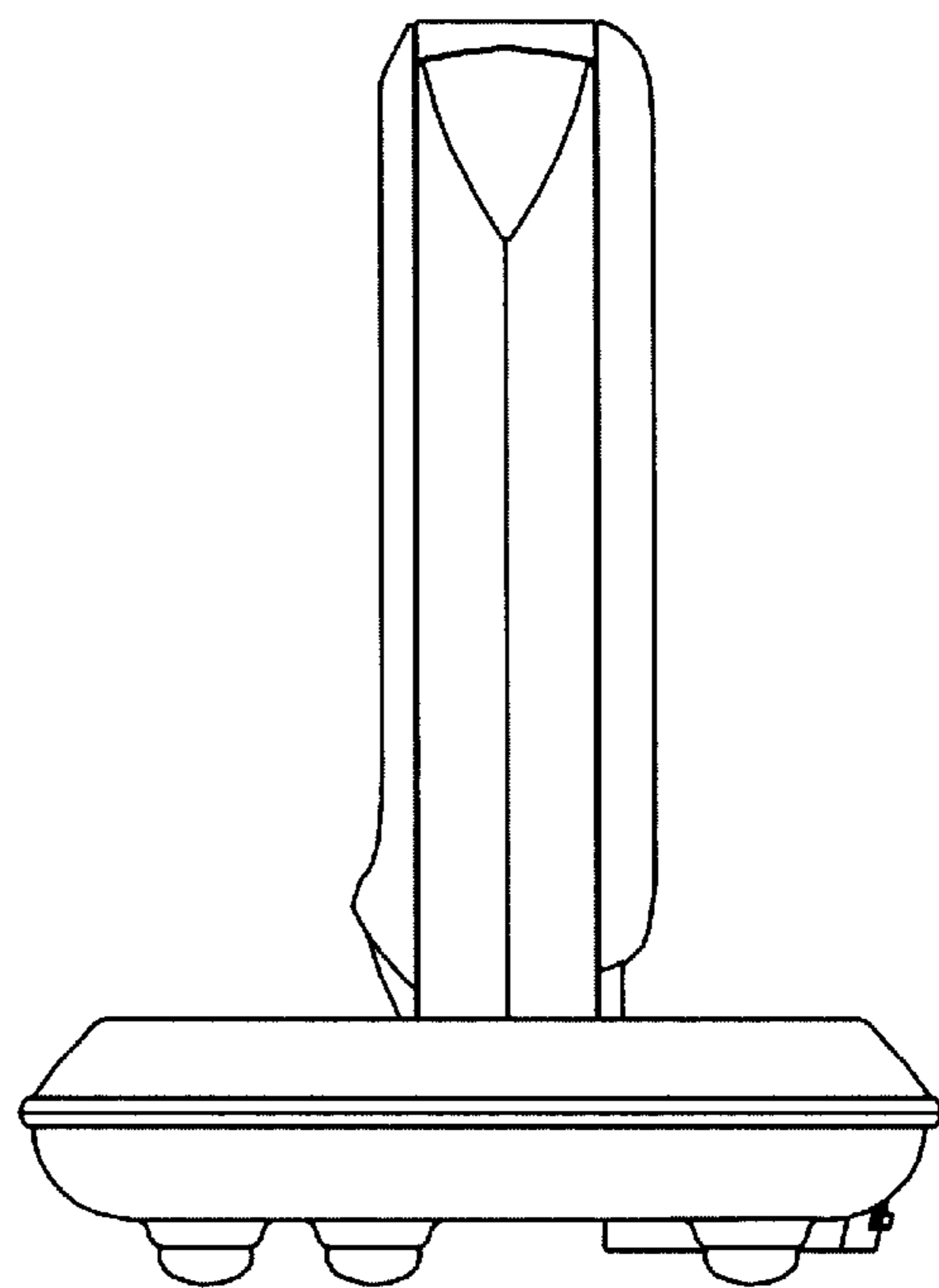


FIG. 5