



US00D471900S

(12) **United States Design Patent**
Saunders et al.

(10) **Patent No.: US D471,900 S**

(45) **Date of Patent: ** Mar. 18, 2003**

(54) **TELEPHONE DEVICE**

D464,623 S * 10/2002 Pogagetz et al. D13/123

(75) Inventors: **Craig M. Saunders**, Rocky River, OH (US); **Lindsey Tufts, Jr.**, Euclid, OH (US); **Kristin M. Nichols**, Cleveland Hts., OH (US); **Mark E. Reindle**, Parma, OH (US)

(73) Assignee: **Royal Appliance Mfg. Co.**, Glenwillow, OH (US)

(**) Term: **14 Years**

(21) Appl. No.: **29/161,148**

(22) Filed: **May 23, 2002**

(51) **LOC (7) Cl. 14-03**

(52) **U.S. Cl. D14/240; D13/133**

(58) **Field of Search** D14/137, 240, D14/242, 256, 356, 357, 358, 432, 433, 217, 140, 142, 299, 439, 241, 243, 245; 379/442, 419, 434, 428.01-428.04, 420.01-420.04, 440, 441; 455/550-575, 90; D13/184, 133, 147, 110, 153, 123; 361/600, 622, 684, 724-728, 702; 439/607-610, 676

(56) **References Cited**

U.S. PATENT DOCUMENTS

D312,627 S	*	12/1990	Gutzmer	D14/107
D341,363 S	*	11/1993	Chambers	D14/240
D354,953 S	*	1/1995	Kazufimi et al.	D14/114
D363,700 S	*	10/1995	Buongervino et al.	D13/147
D373,567 S	*	9/1996	Rak et al.	D13/133
D386,473 S	*	11/1997	England et al.	D13/147
5,683,269 A	*	11/1997	Davis et al.	439/607
D387,732 S	*	12/1997	England et al.	D13/147
D411,175 S	*	6/1999	Doren et al.	D13/154
D424,528 S	*	5/2000	Dernehl	D13/184
D436,919 S	*	1/2001	Wakefield et al.	D13/110
D436,927 S	*	1/2001	Hogan	D13/153
D443,859 S	*	6/2001	Hogan	D13/133
D445,110 S	*	7/2001	MacLeod	D14/433
D460,738 S	*	7/2002	Chen	D13/147

OTHER PUBLICATIONS

Netgear Model FA101 Adapter, www.netgear.com, originally visited Oct. 27, 2002.*

TelSoft Innovative Telecom Solutions, "LC200 Telemarketer Stopper" (<http://www.dialerbuddy.com/lc200.htm>) Oct. 18, 2001.

TelSoft Innovative Telecom Solutions, "LX300-SIT Telemarketer Stopper" (<http://www.dialerbuddy.com/lx300.htm>) Oct. 18, 2001.

Jech Technologies, Inc., "Telemarketer Stopper".

CallmeNot LLC, "The Call Screener", ©2001.

Telemarketer Stopper, <http://www.sandman.com/tmstop2.html>, 2 pages Mar. 29, 2001.

Callplex Telephone Privacy System, <http://www.callplex.com/newpage1.htm> Mar. 29, 2001.

Phone Zap Privacy Protection System, PhoneGuard, Inc. ©2000, 5 pages.

Telezapper by Privacy Technologies, Royal Appliance Mfg. Co. ©2001, 2 pages.

* cited by examiner

Primary Examiner—Jeffrey Asch

(74) *Attorney, Agent, or Firm*—Fay, Sharpe, Fagan, Minnich & McKee, LLP

(57) **CLAIM**

The ornamental design for a telephone device, as shown and described.

DESCRIPTION

FIG. 1 is a perspective view of a telephone device showing our new design;

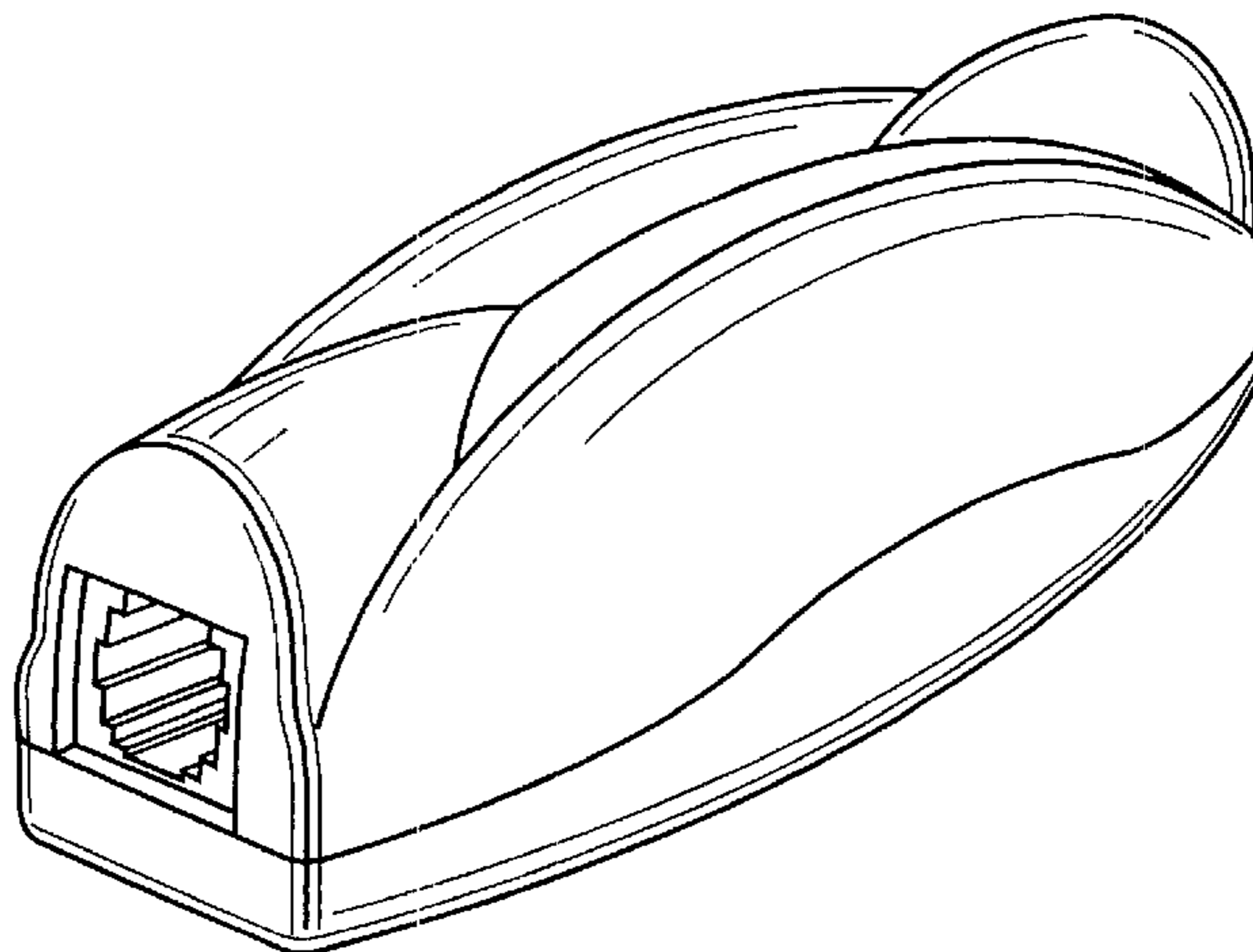
FIG. 2 is a top plan view thereof;

FIG. 3 is a left side elevational view thereof, with a right side elevational view being a mirror image thereof;

FIG. 4 is a bottom plan view thereof; and,

FIG. 5 is a front elevational view thereof, with a rear elevational view being a mirror image thereof.

1 Claim, 2 Drawing Sheets



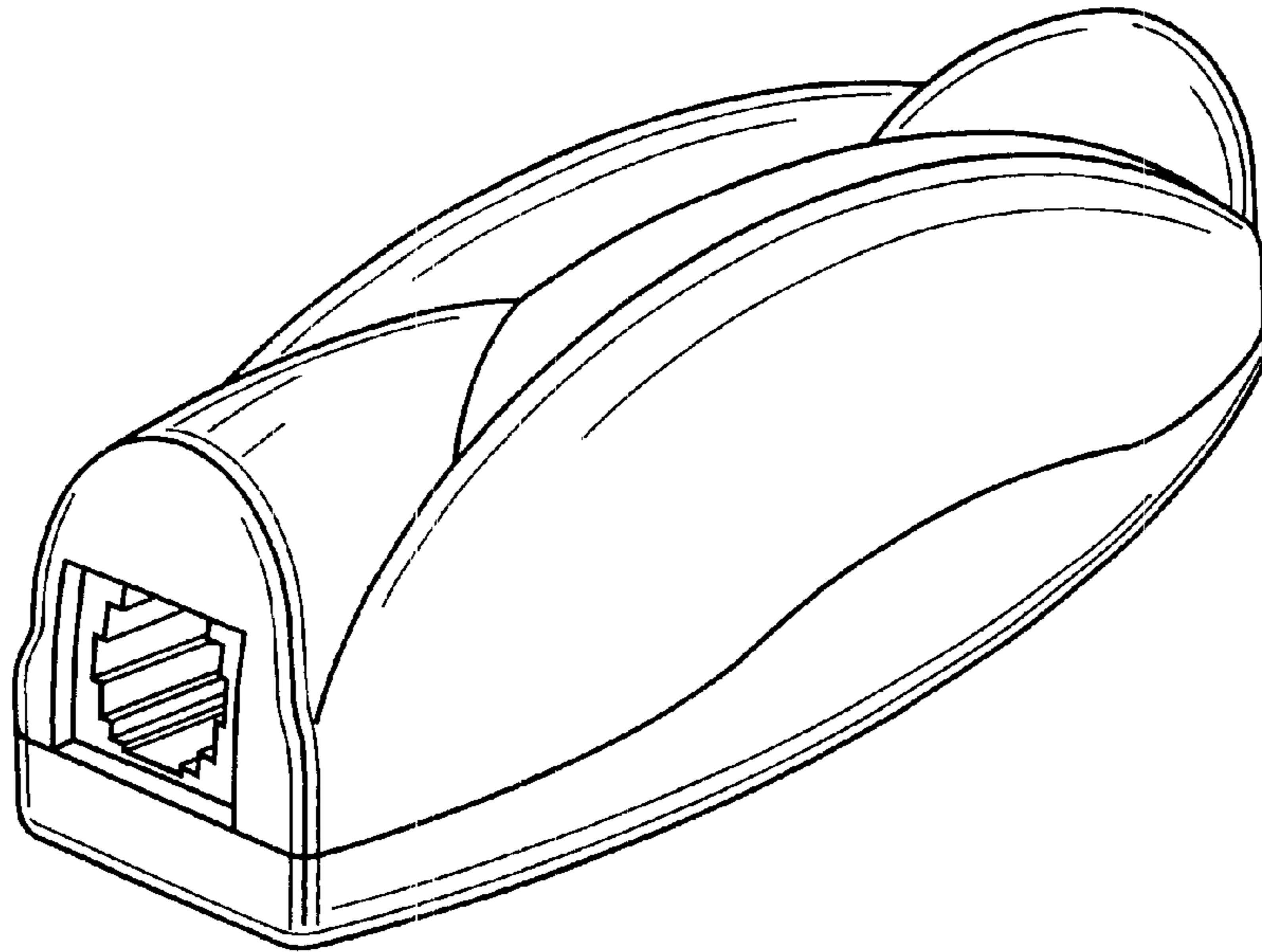


FIG. 1

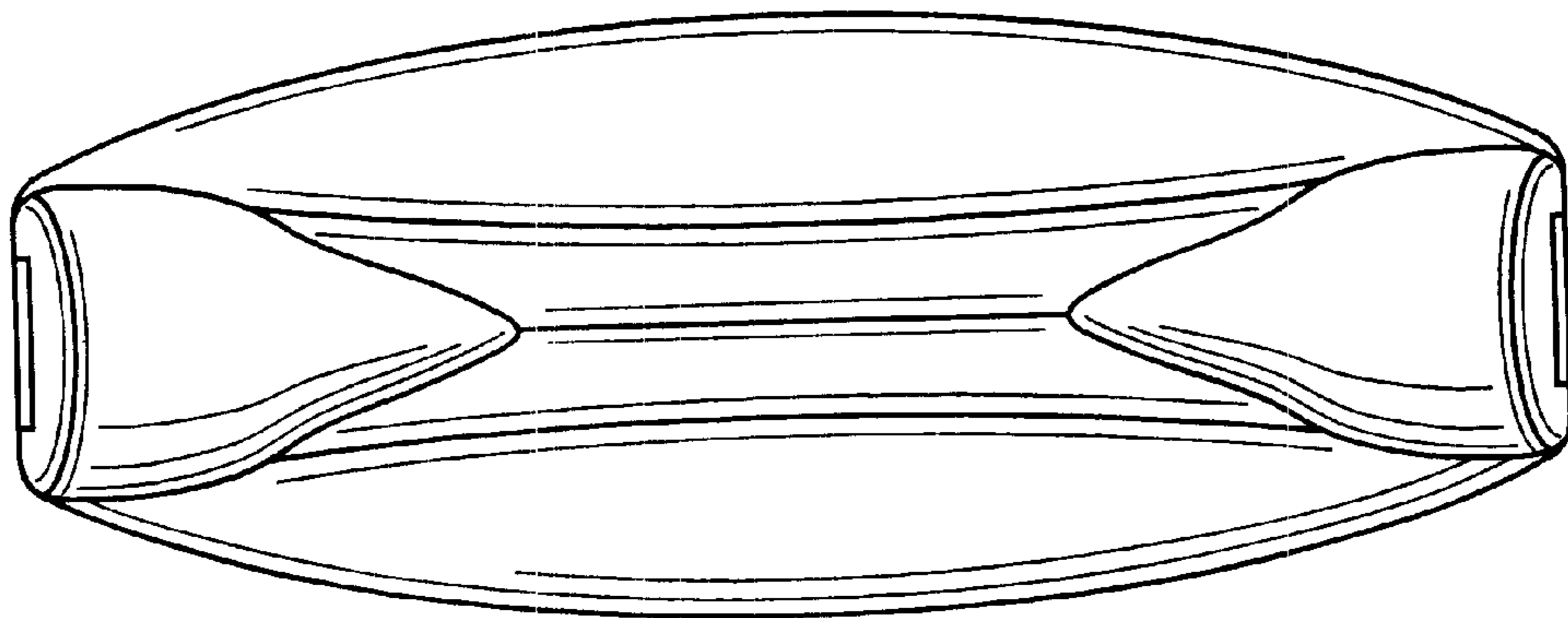


FIG. 2

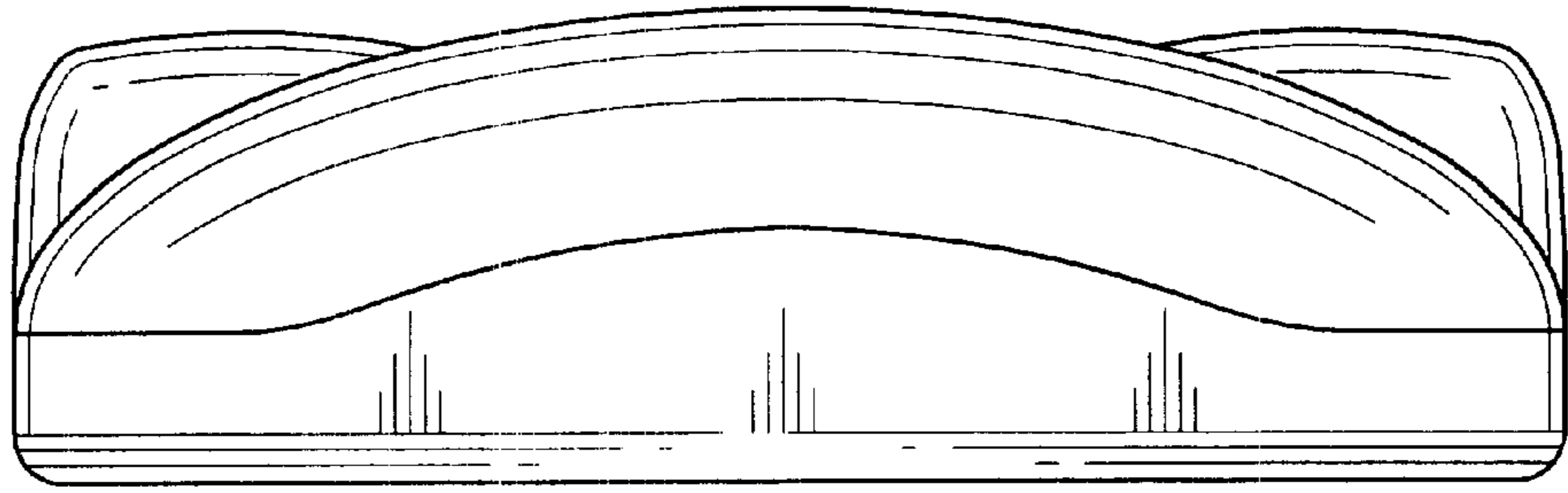


FIG. 3

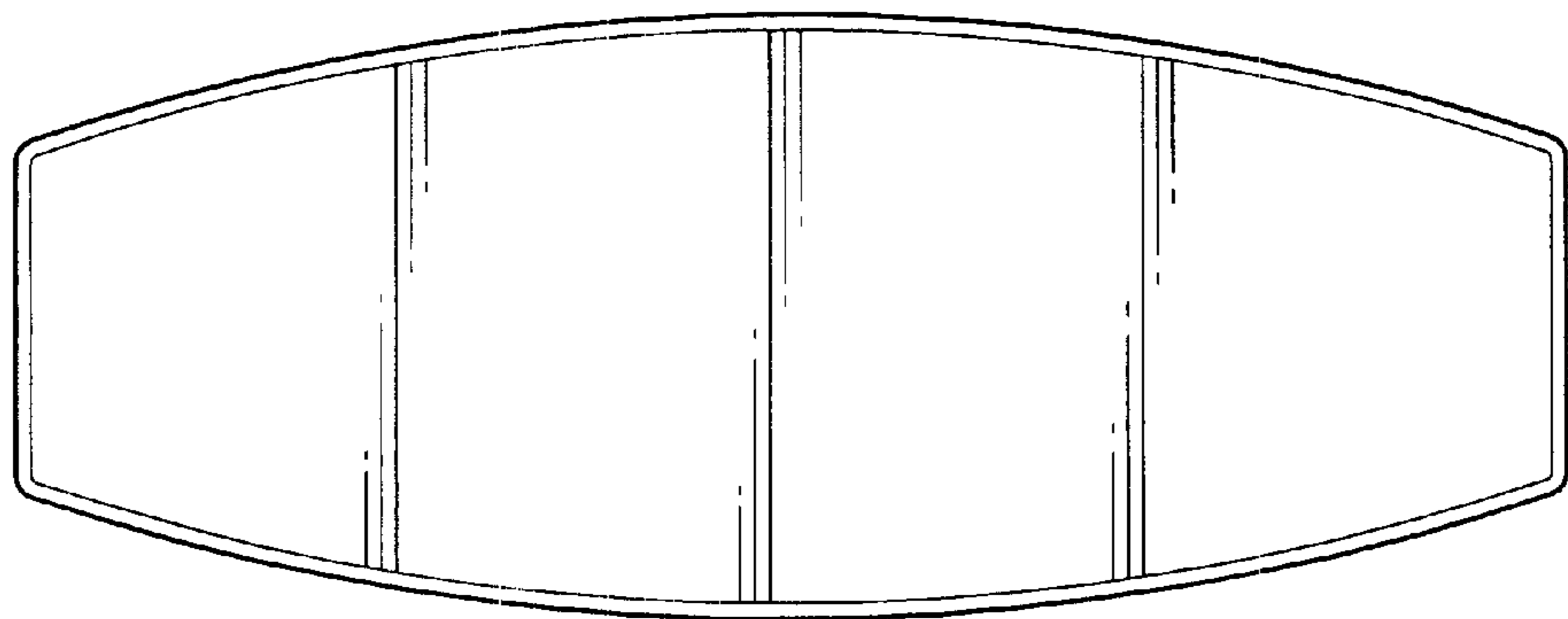


FIG. 4

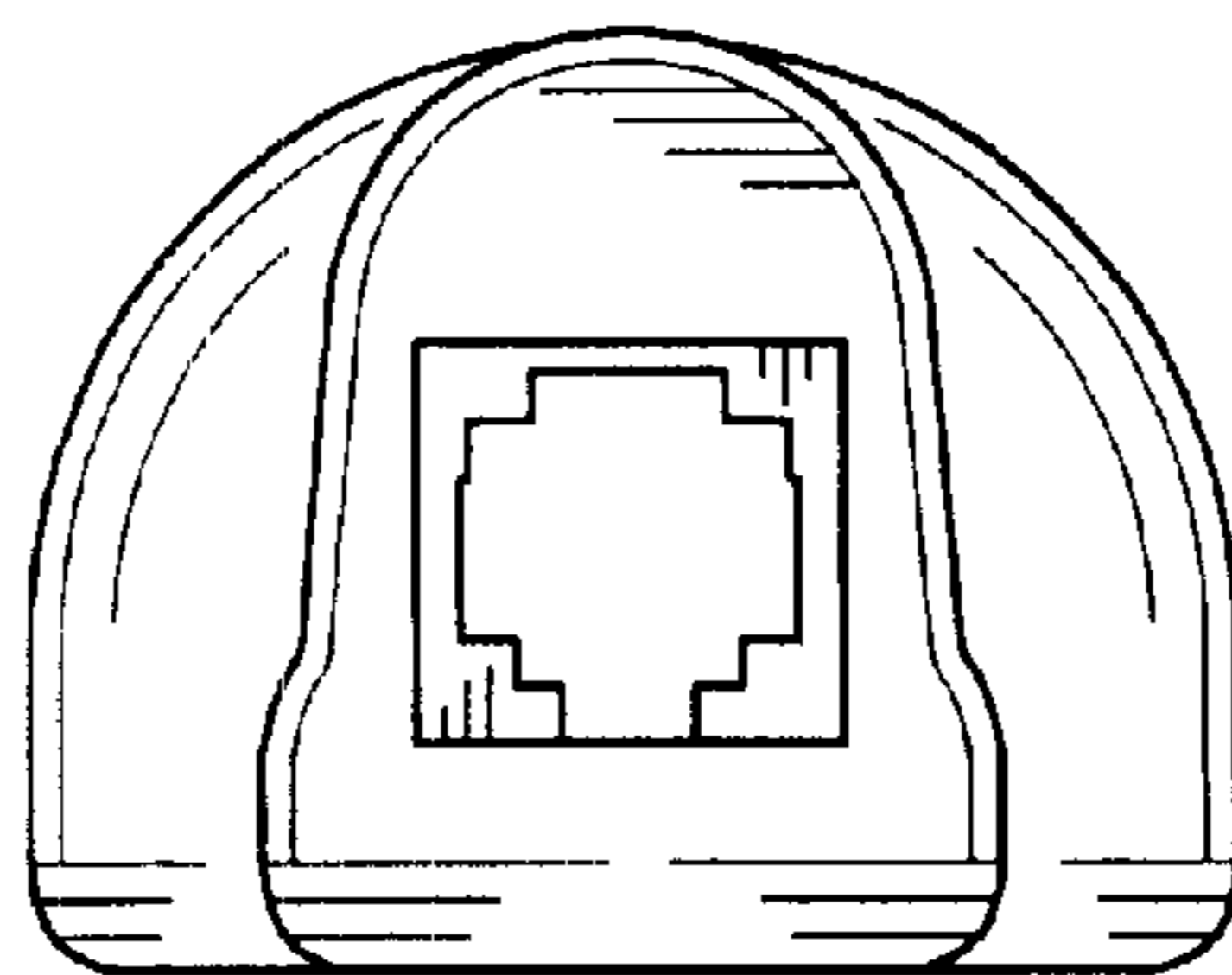


FIG. 5