



US00D471898S

(12) **United States Design Patent**
Bae

(10) **Patent No.:** **US D471,898 S**

(45) **Date of Patent:** **** Mar. 18, 2003**

(54) **WIRELESS HEADSET**

(75) **Inventor:** **Hyon S. Bae**, Burlingame, CA (US)

(73) **Assignee:** **Youngbo Engineering, Inc.** (KR)

(**) **Term:** **14 Years**

(21) **Appl. No.:** **29/155,791**

(22) **Filed:** **Feb. 15, 2002**

(51) **LOC (7) Cl.** **14-01**

(52) **U.S. Cl.** **D14/223; D14/205**

(58) **Field of Search** **D14/142, 188,**
D14/192, 205, 206, 223; 181/129, 130;
379/430, 433; 381/370, 376, 377, 378,
379, 380, 381

(56) **References Cited**

U.S. PATENT DOCUMENTS

4,558,178 A	12/1985	Yasuda et al.	
D293,107 S	* 12/1987	Müller	
4,882,745 A	11/1989	Silver	
5,113,428 A	5/1992	Fitzgerald	
5,191,602 A	3/1993	Regen et al.	
5,426,689 A	6/1995	Griffith et al.	
5,557,653 A	9/1996	Paterson et al.	
D375,500 S	* 11/1996	Bungardt et al. D14/223
5,586,176 A	12/1996	Peck	
5,590,417 A	12/1996	Rydbeck	
5,596,638 A	1/1997	Paterson et al.	
D377,796 S	* 2/1997	Hayashi D14/206
5,613,222 A	3/1997	Guenther	
D382,874 S	* 8/1997	Peschke et al. D14/142
5,721,775 A	2/1998	Leifer	
5,745,859 A	4/1998	Takenaka	
5,757,944 A	5/1998	Jensen et al.	
D396,715 S	* 8/1998	Konomi D14/142

5,926,532 A	7/1999	Peck	
5,978,689 A	11/1999	Tuoriniemi et al.	
5,991,645 A	11/1999	Yuen et al.	
6,006,115 A	12/1999	Wingate	
D430,146 S	* 8/2000	Lin D14/223
6,097,809 A	8/2000	Lucey et al.	
6,101,260 A	8/2000	Jensen et al.	
6,104,824 A	8/2000	Ito	
6,130,953 A	10/2000	Wilton et al.	
6,229,893 B1	5/2001	Chen	
6,252,970 B1	6/2001	Poon et al.	
D445,415 S	* 7/2001	Jaakkola D14/223
6,256,386 B1	7/2001	Phillips	
D460,960 S	* 7/2002	Kao D14/223
D461,791 S	* 8/2002	Ma D14/206

* cited by examiner

Primary Examiner—Paula A. Mortimer

(74) *Attorney, Agent, or Firm*—Alzheimer & Gray; Michael A. Molano; John F. Griffith

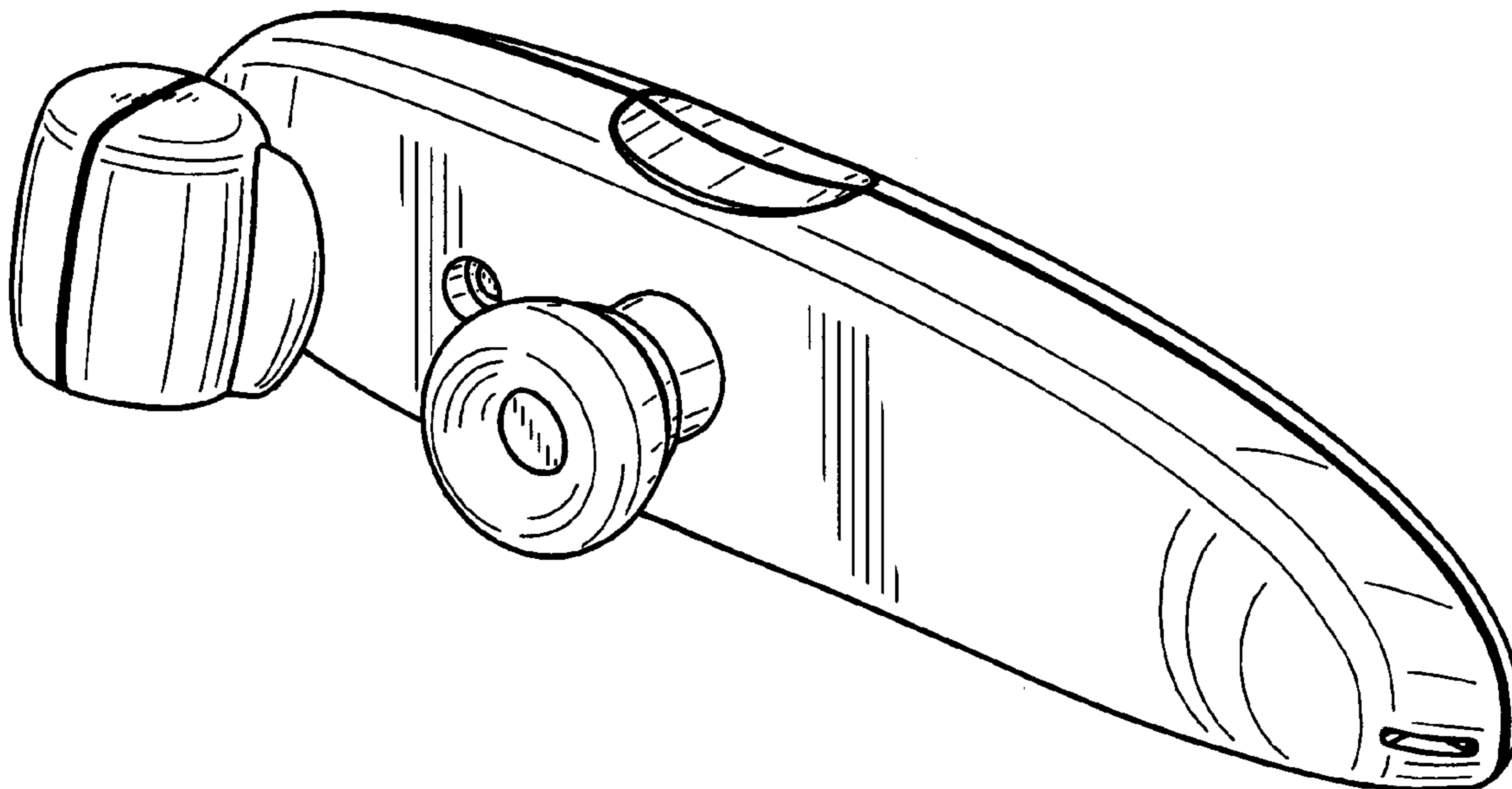
(57) **CLAIM**

The ornamental design of the wireless headset, as shown and described.

DESCRIPTION

FIG. 1 is a first perspective view of a wireless headset showing the new ornamental design; FIG. 2 is a second perspective view thereof, the second perspective view opposite the first perspective view; FIG. 3 is a front elevational view thereof; FIG. 4 is a right side elevational view thereof, a left side elevational view the same as the right side view; FIG. 5 is a rear elevational view thereof; FIG. 6 is a top plan view thereof; and, FIG. 7 is a bottom plan view thereof.

1 Claim, 2 Drawing Sheets



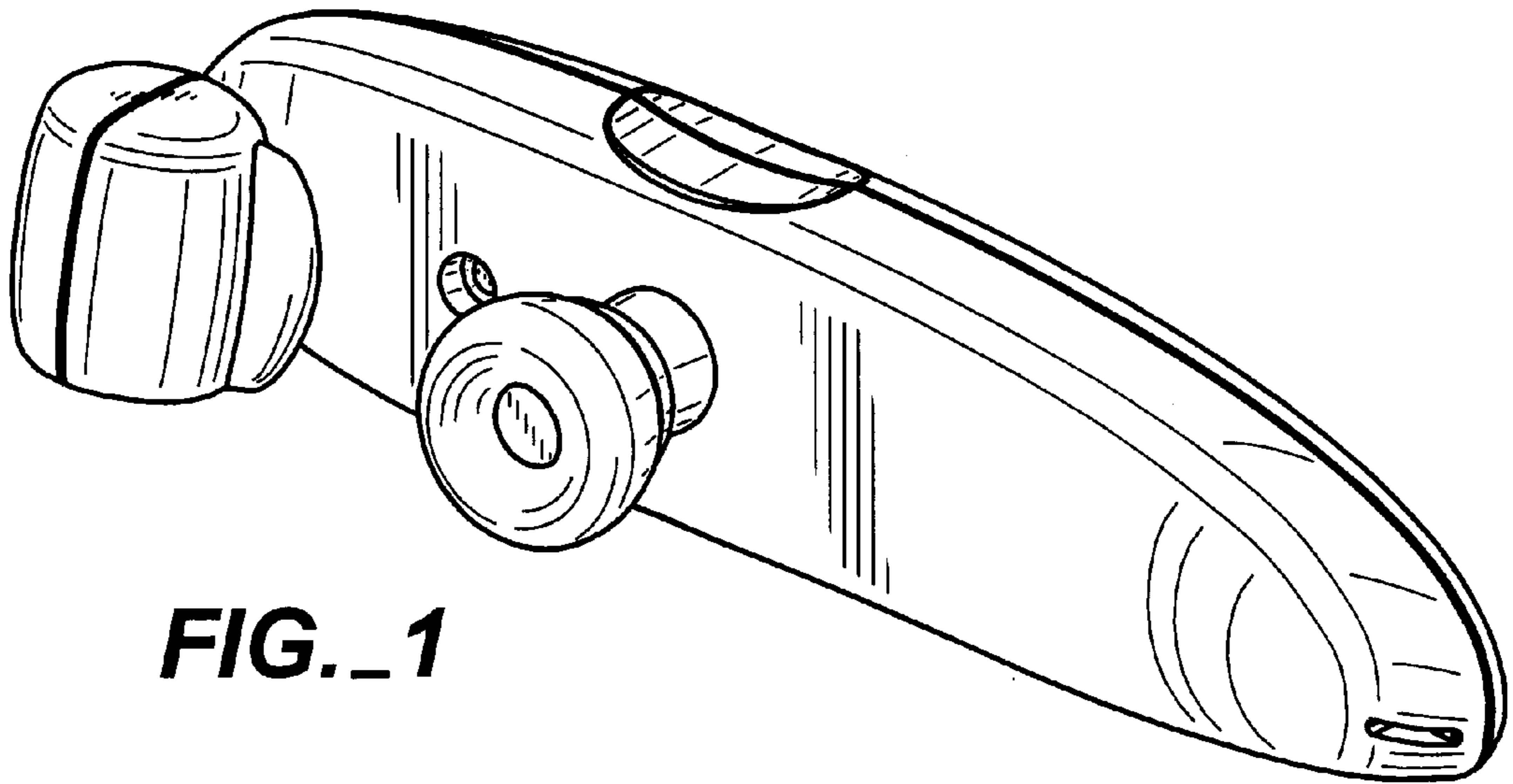


FIG._1

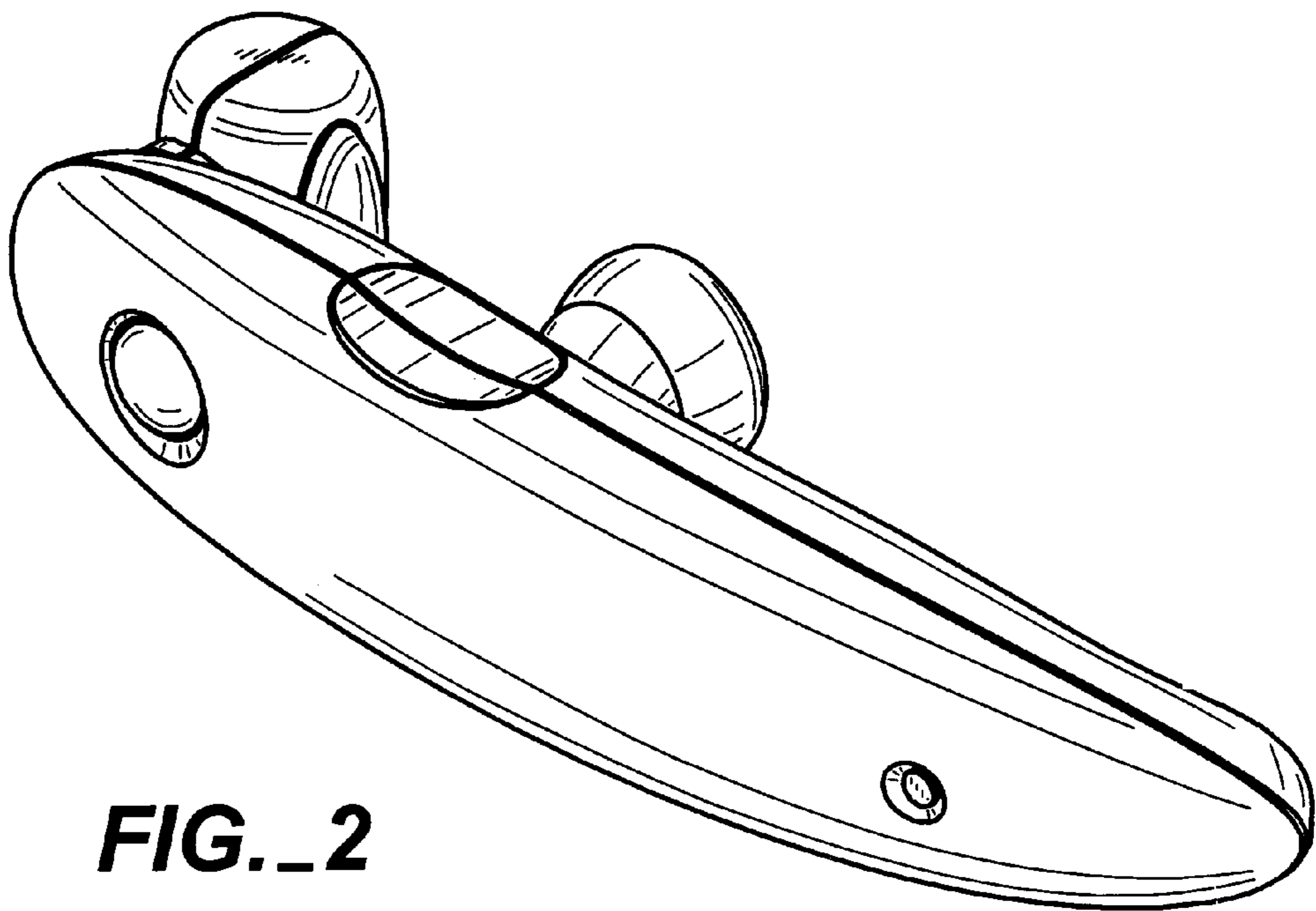


FIG._2

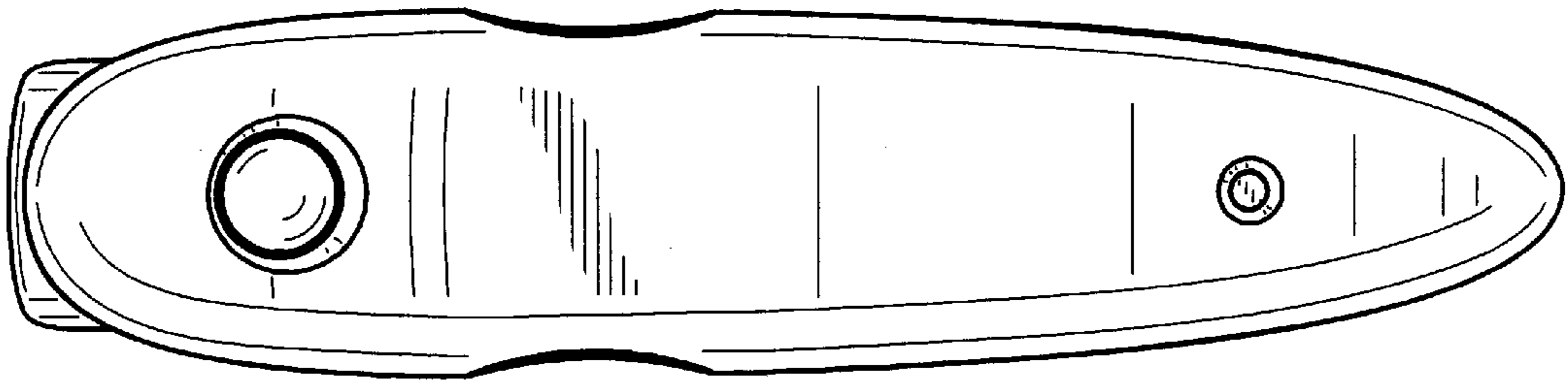


FIG._3

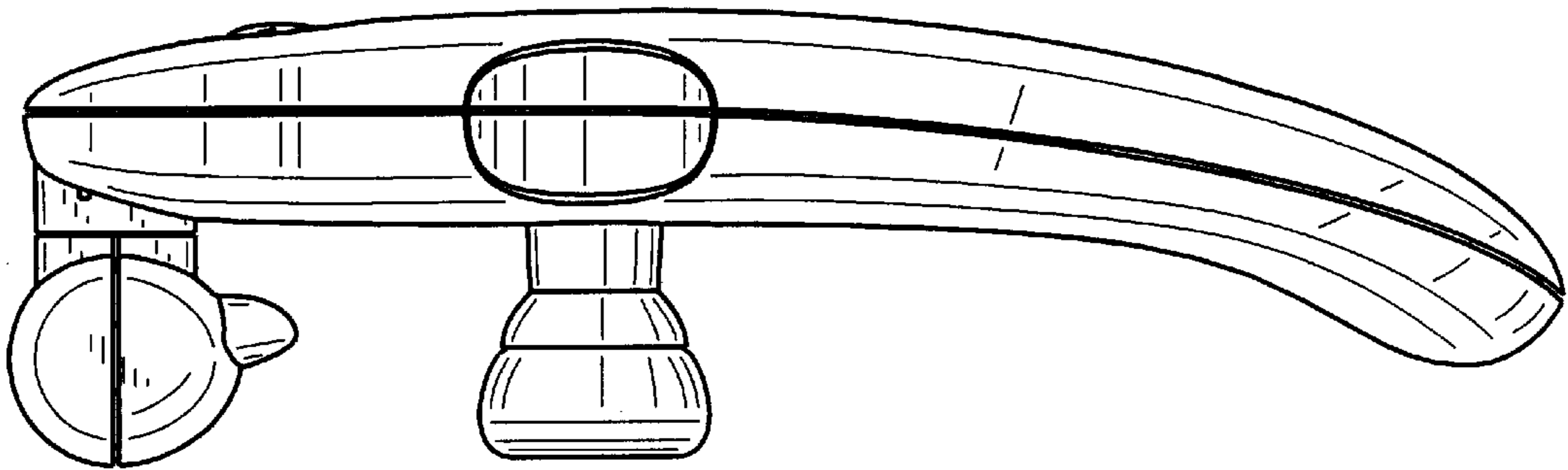


FIG._4

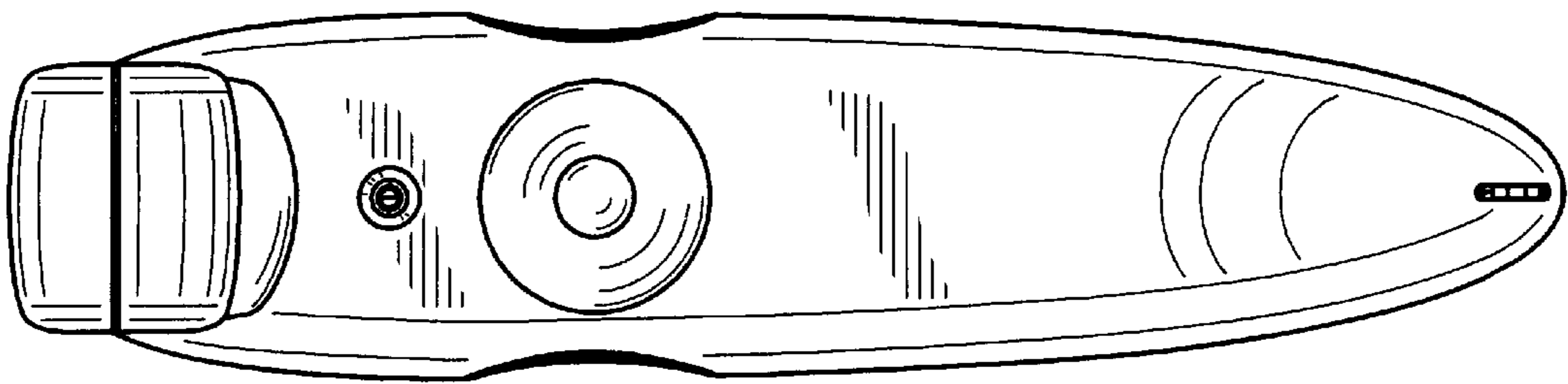


FIG._5

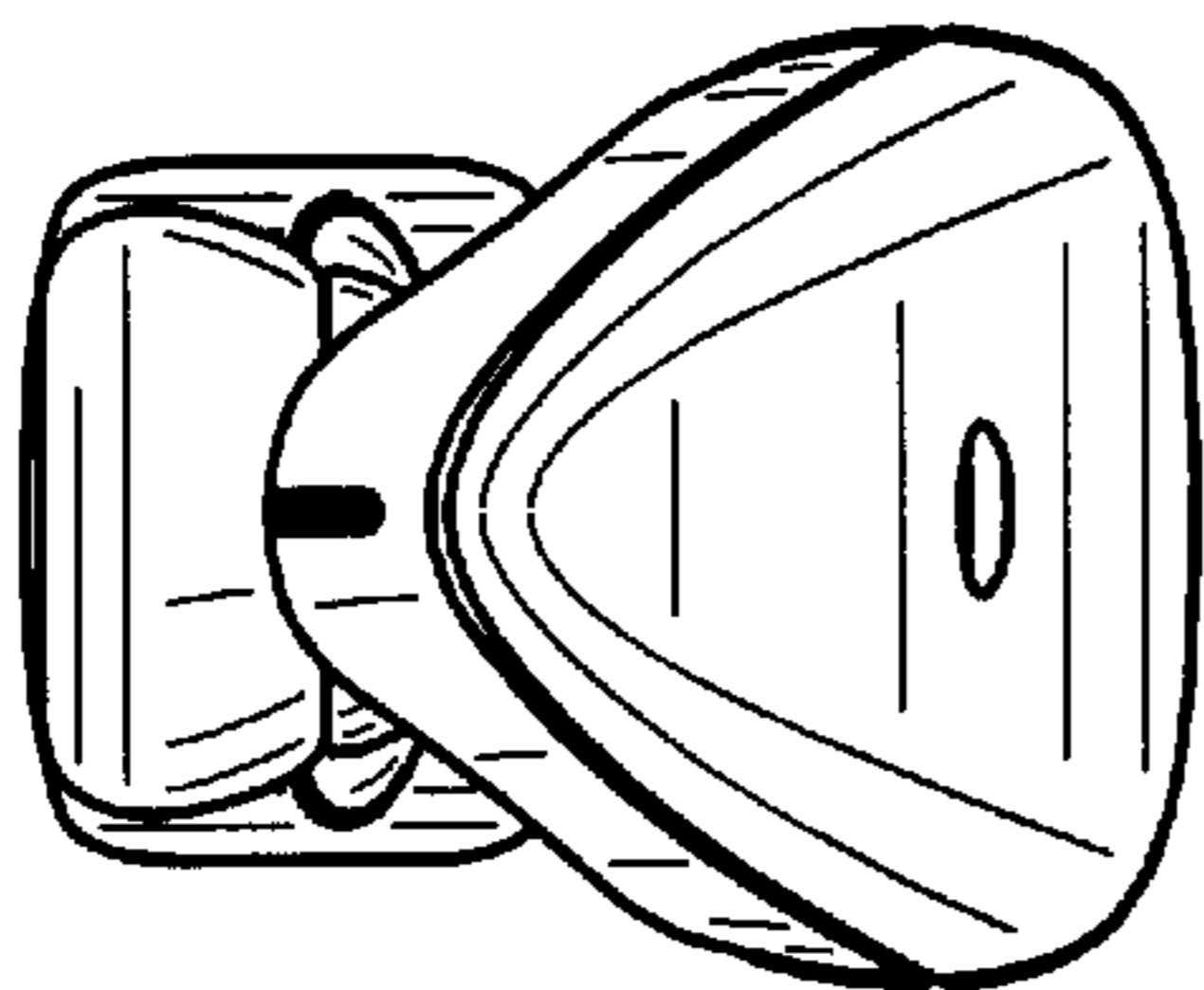


FIG._6

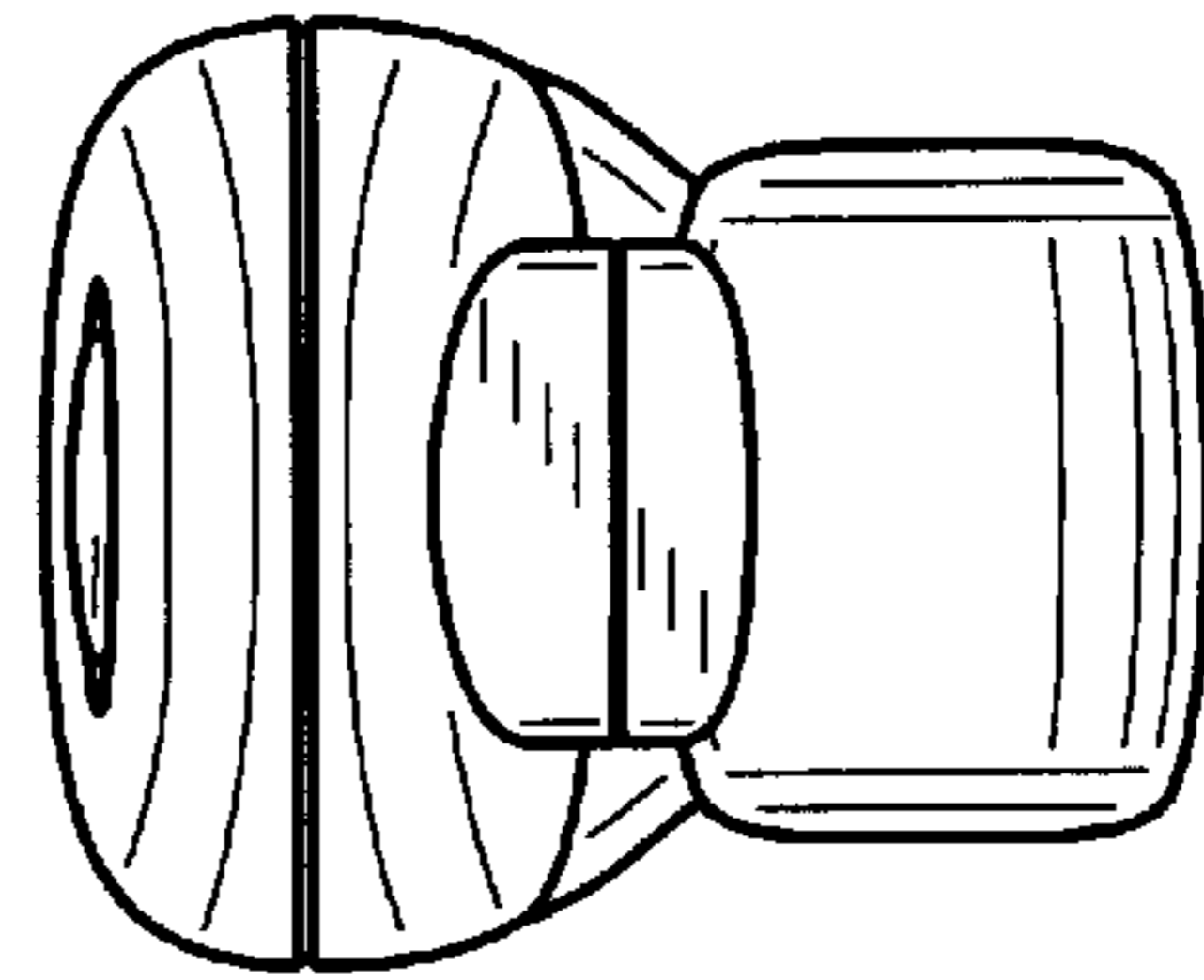


FIG._7