



US00D471895S

(12) **United States Design Patent**  
**Hovanky et al.**

(10) **Patent No.:** **US D471,895 S**  
(45) **Date of Patent:** **\*\* Mar. 18, 2003**

(54) **AUDIO SYSTEM ENCLOSURE WITH  
SPEAKER GRILLS**

D378,591 S \* 3/1997 Brezovar ..... D14/214  
D384,355 S \* 9/1997 Chang ..... D14/214  
D400,883 S \* 11/1998 Jung ..... D14/214  
D442,576 S \* 5/2001 Hsu Huang et al. .... D14/214

(75) Inventors: **Thao Hovanky**, Austin, TX (US);  
**Michael Kenoyer**, Austin, TX (US);  
**Denton Simpson**, Round Rock, TX  
(US); **Peter Chu**, Lexington, MA (US);  
**Richard Washington**, Austin, TX (US);  
**Christopher Ramm**, Watertown, MA  
(US); **Scott Wakefield**, Andover, MA  
(US); **Jim McGroddy**, Nashua, NH  
(US); **Tom Eagan**, Chelmsford, MA  
(US)

\* cited by examiner

*Primary Examiner*—Nanda Bondade  
(74) *Attorney, Agent, or Firm*—Carr & Ferrell LLP

(73) Assignee: **Polycom, Inc.**, Milpitas, CA (US)

(\*\*) Term: **14 Years**

(21) Appl. No.: **29/157,701**

(22) Filed: **Mar. 22, 2002**

(51) **LOC (7) Cl.** ..... **14-01**

(52) **U.S. Cl.** ..... **D14/215**

(58) **Field of Search** ..... D14/204, 207,  
D14/209–216, 356; 181/144–145, 147–148,  
150, 153, 157, 198–199; 381/300–302,  
306, 333, 345, 361–364, 386–388

(56) **References Cited**

**U.S. PATENT DOCUMENTS**

D360,416 S \* 7/1995 Yamamoto ..... D14/210

(57) **CLAIM**

The ornamental design for an audio system enclosure with speaker grills, as shown and described.

**DESCRIPTION**

FIG. 1 is a perspective view of an audio system enclosure with speaker grills showing the top, front, and right side of our new design;

FIG. 2 is a right side elevational view of the audio system enclosure with speaker grills of FIG. 1, the left side elevational view being a mirror image thereof;

FIG. 3 is a front elevational view of the audio system enclosure with speaker grills of FIG. 1;

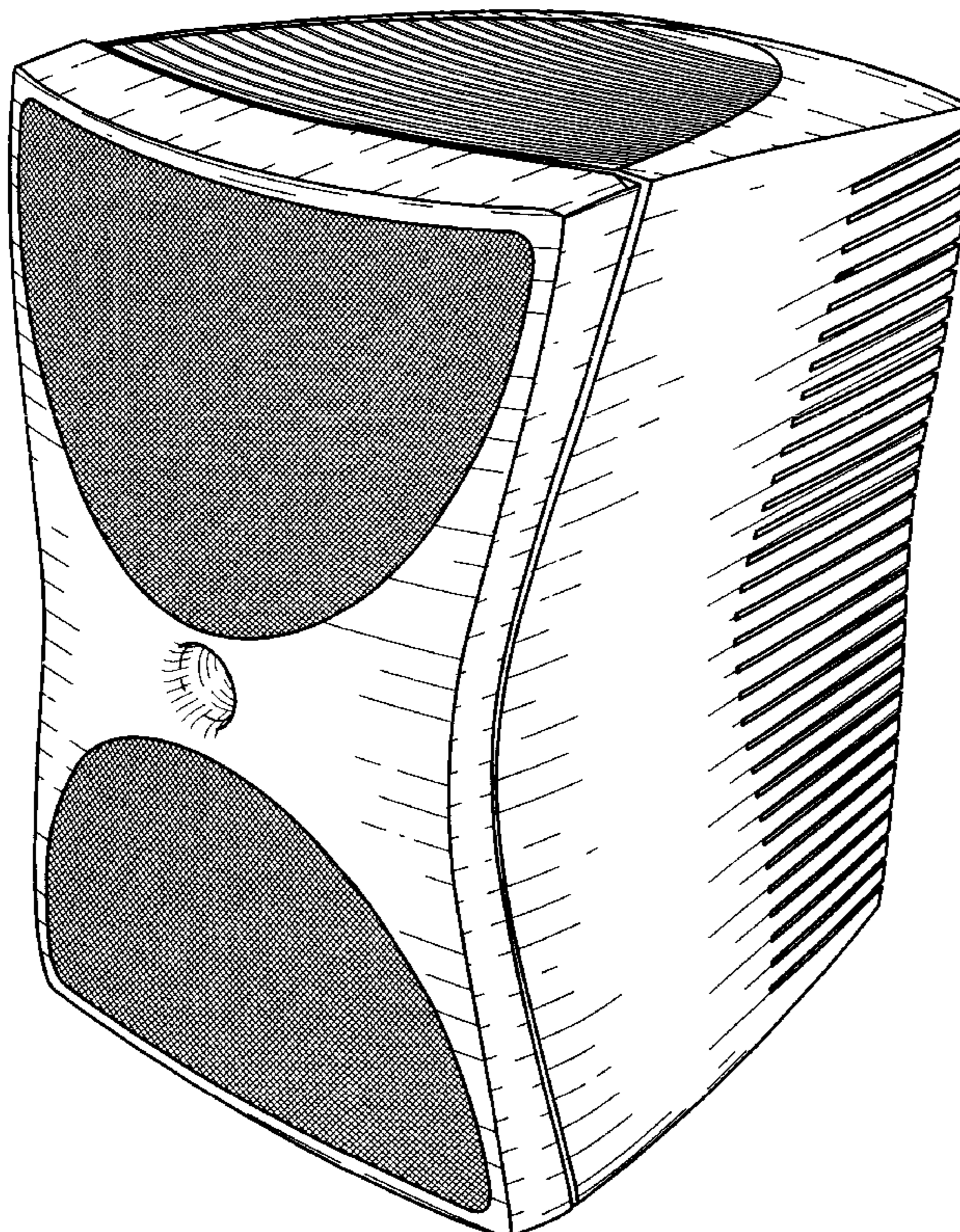
FIG. 4 is a rear elevational view of the audio system enclosure with speaker grills of FIG. 1;

FIG. 5 is a top plan view of the audio system enclosure with speaker grills of FIG. 1; and,

FIG. 6 is a bottom plan view of the audio system enclosure with speaker grills of FIG. 1.

The broken line showing on FIG. 4 is for illustrative purposes only and forms no part of the claimed design.

**1 Claim, 3 Drawing Sheets**





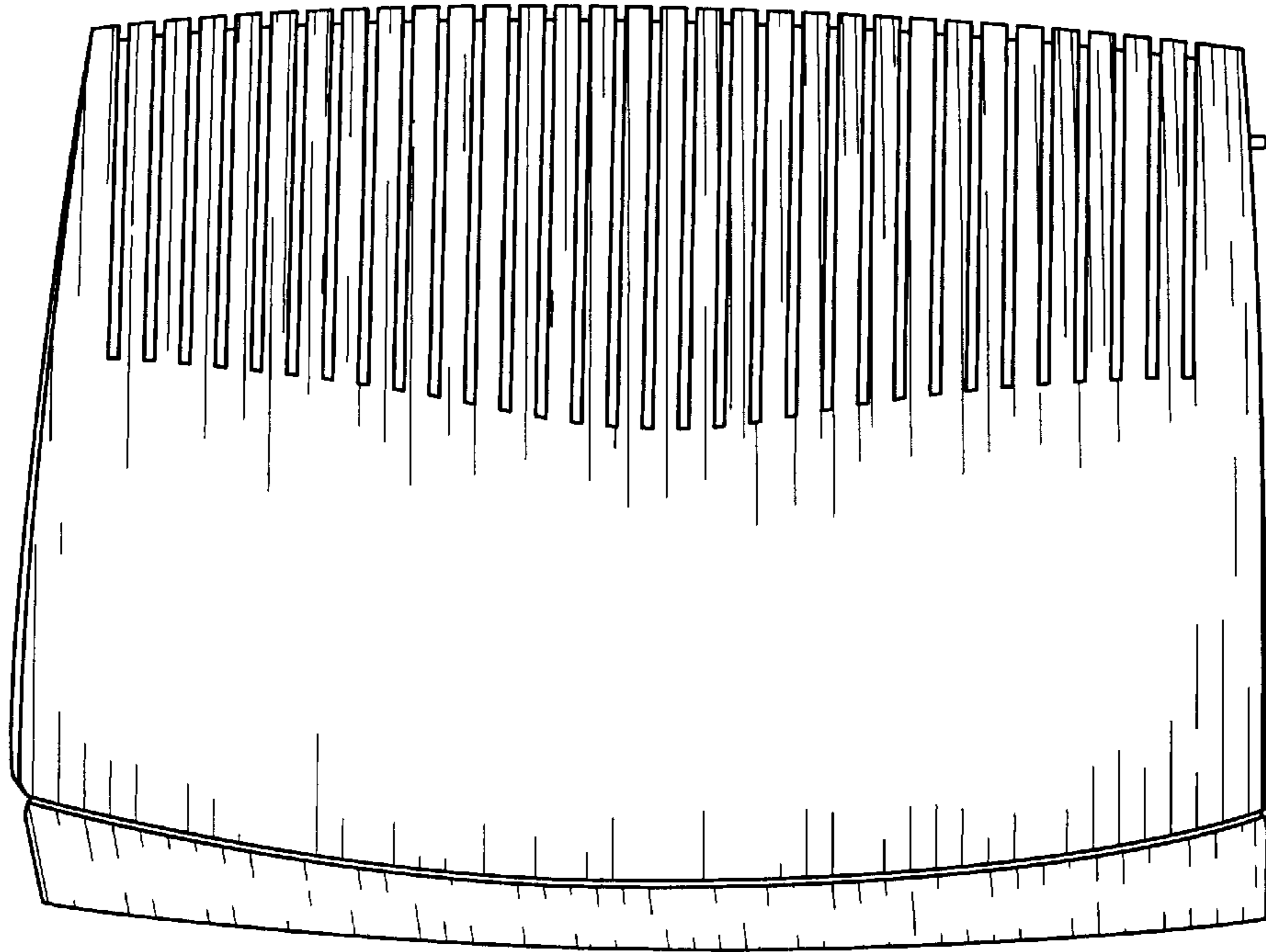


FIG. 2

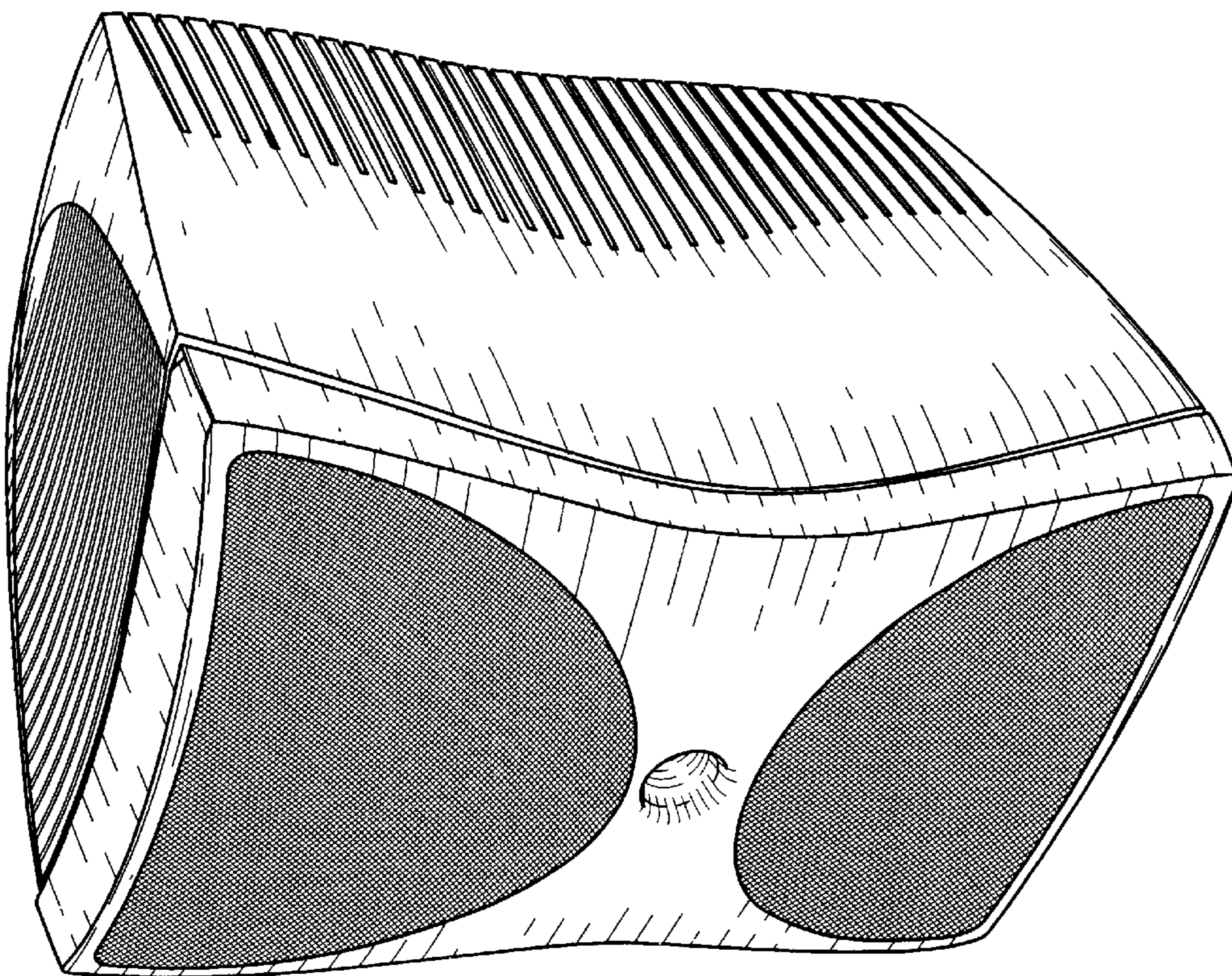


FIG. 1



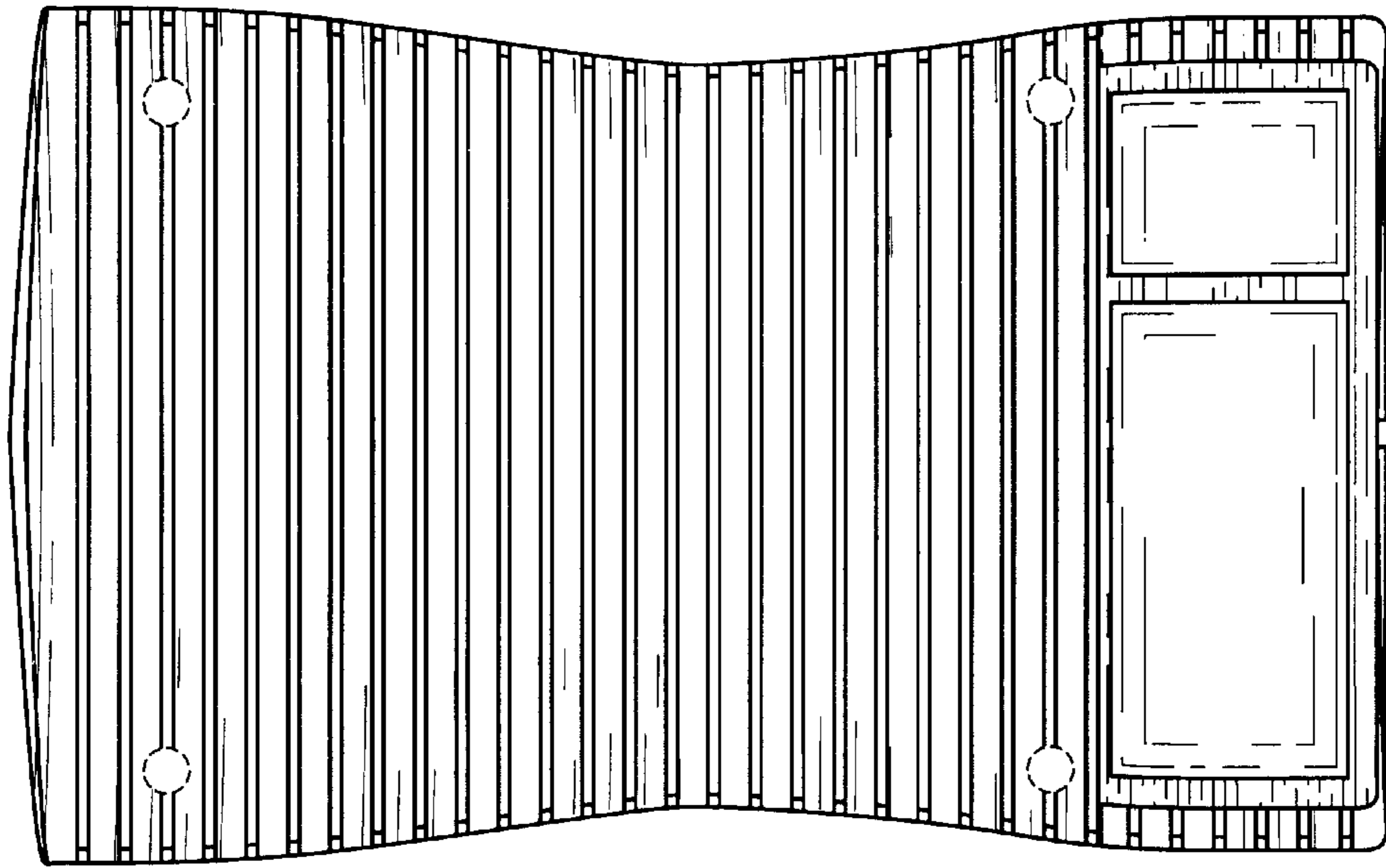


FIG. 4

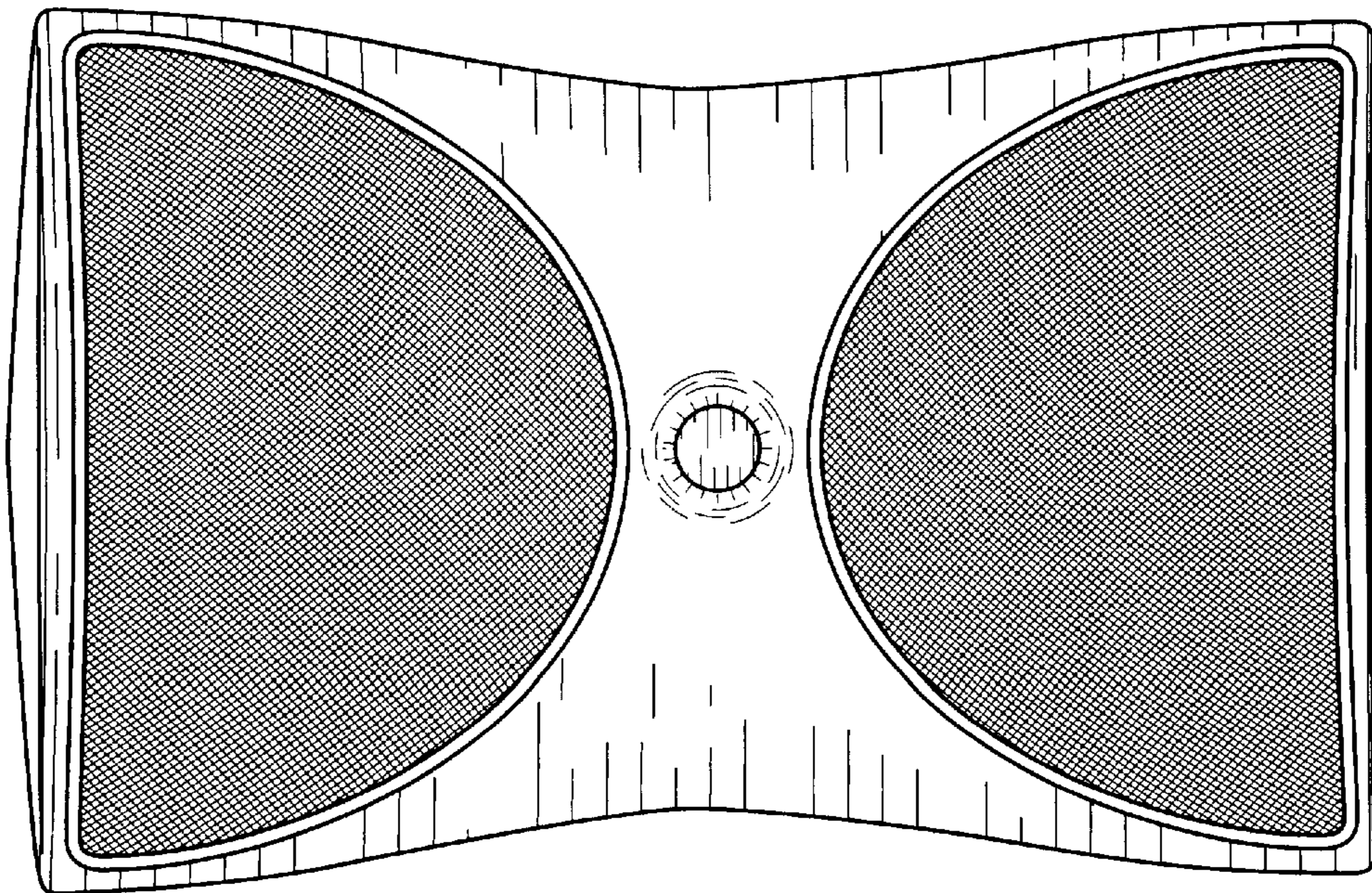


FIG. 3

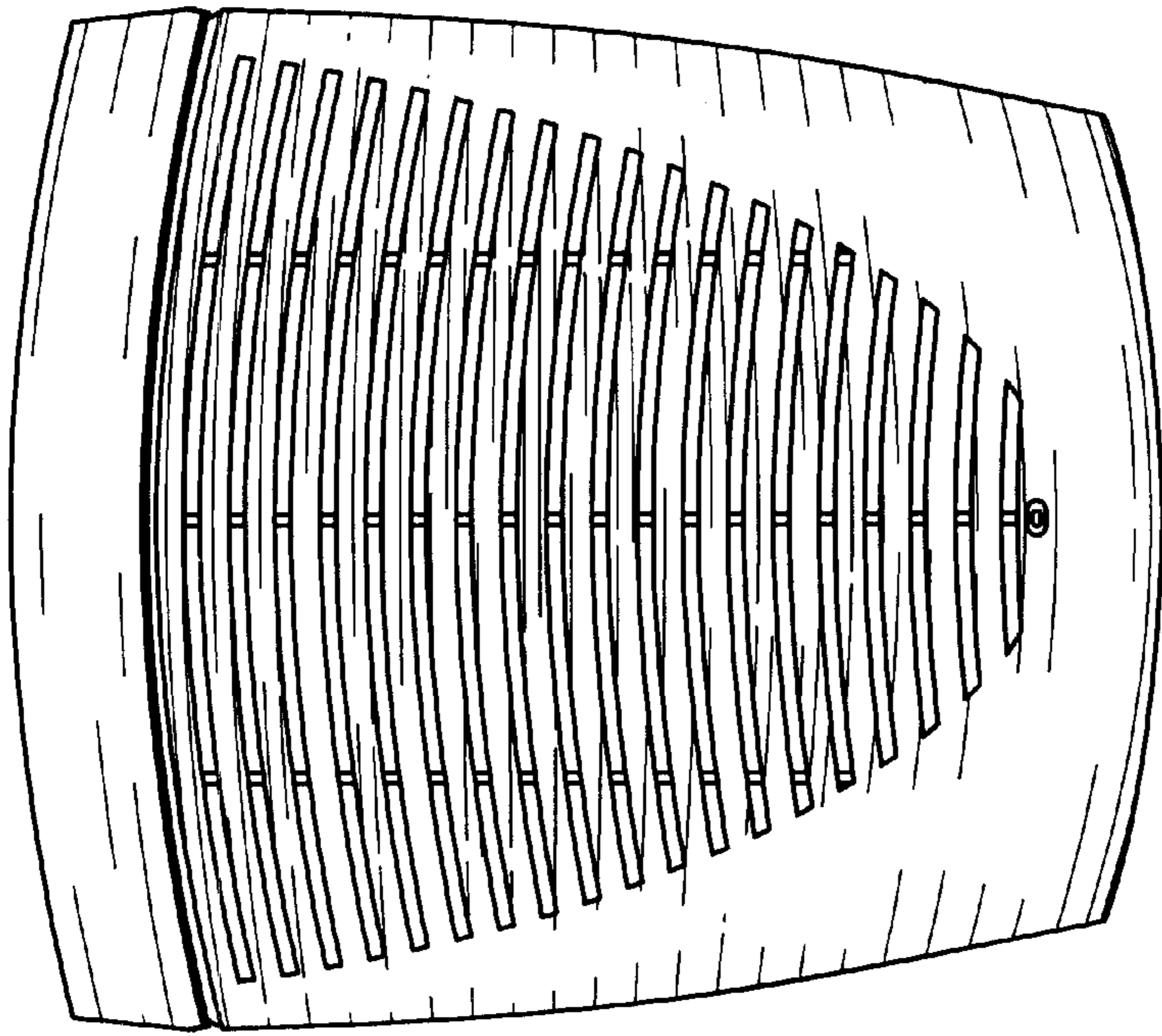


FIG. 6

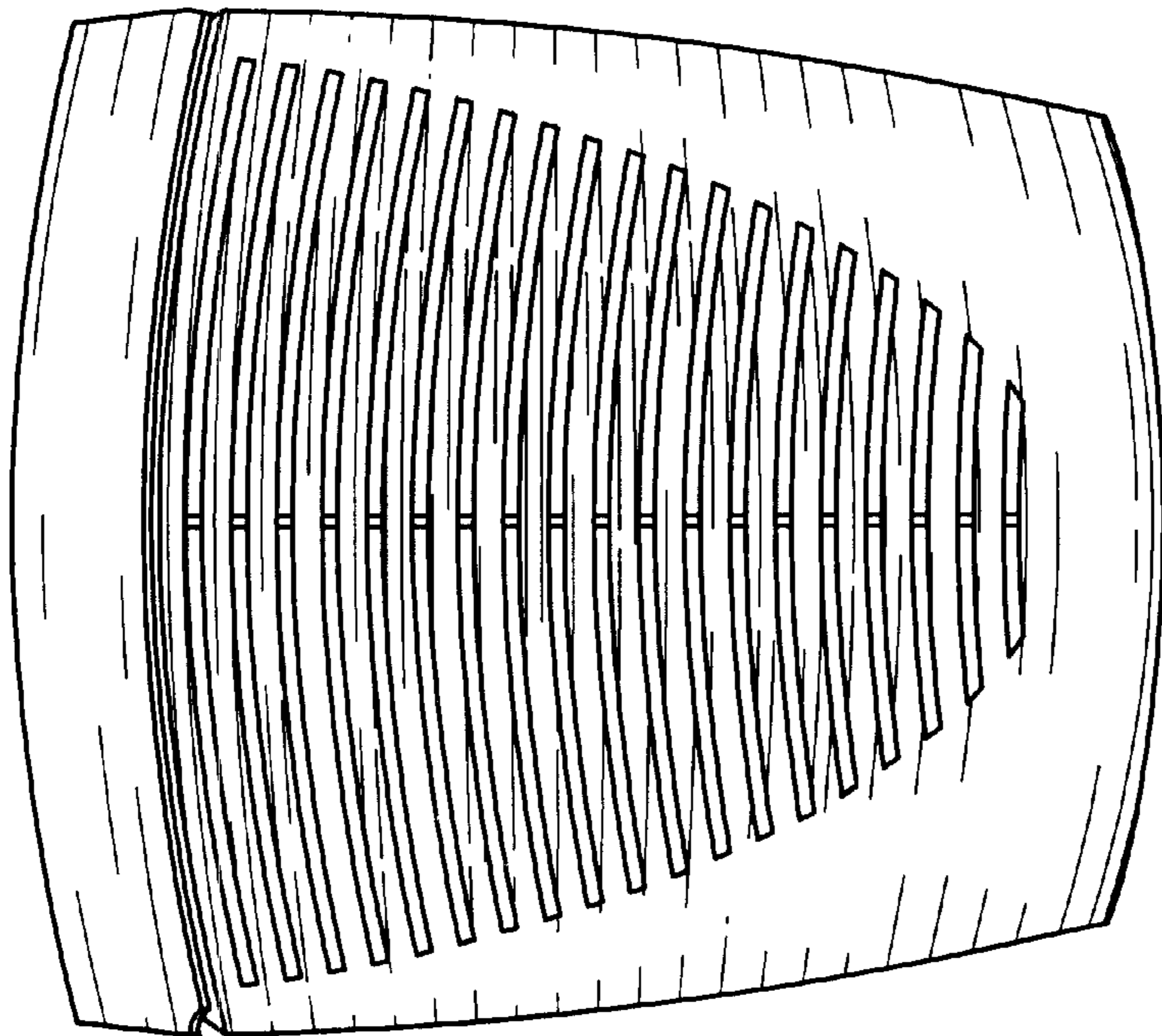


FIG. 5