



US00D471888S

(12) **United States Design Patent**
Solland

(10) **Patent No.:** **US D471,888 S**

(45) **Date of Patent:** **** Mar. 18, 2003**

- (54) **SPEAKER HOUSING**
- (75) Inventor: **Kurt Solland**, Westlake Village, CA (US)
- (73) Assignee: **Harman International Industries, Inc.**, Northridge, CA (US)
- (**) Term: **14 Years**
- (21) Appl. No.: **29/164,643**
- (22) Filed: **Jul. 30, 2002**
- (51) **LOC (7) Cl.** **14-01**
- (52) **U.S. Cl.** **D14/204**
- (58) **Field of Search** D9/431-433; D14/204, D14/209-216, 356; D21/797; 181/144-145, 147-148, 150, 153, 157, 198-199; 206/108.1, 459.5, 524.1, 524.2; 299/112-113, 125.38; 381/300-302, 306, 333, 345, 361-364, 386-388

- 3,259,153 A * 7/1966 Haase 229/113
- D244,550 S 5/1977 Zuroski
- D253,700 S * 12/1979 Gillum D14/214
- D280,984 S * 10/1985 Tucker D14/214
- 4,924,967 A * 5/1990 Ike et al. 181/199
- 5,040,721 A * 8/1991 Essack 229/112
- D384,354 S * 9/1997 Weissberg et al. D14/214
- D441,823 S * 5/2001 Blackhurst D21/797

* cited by examiner

Primary Examiner—Nanda Bondade
(74) *Attorney, Agent, or Firm*—Banner & Witcoff, Ltd.

(57) **CLAIM**

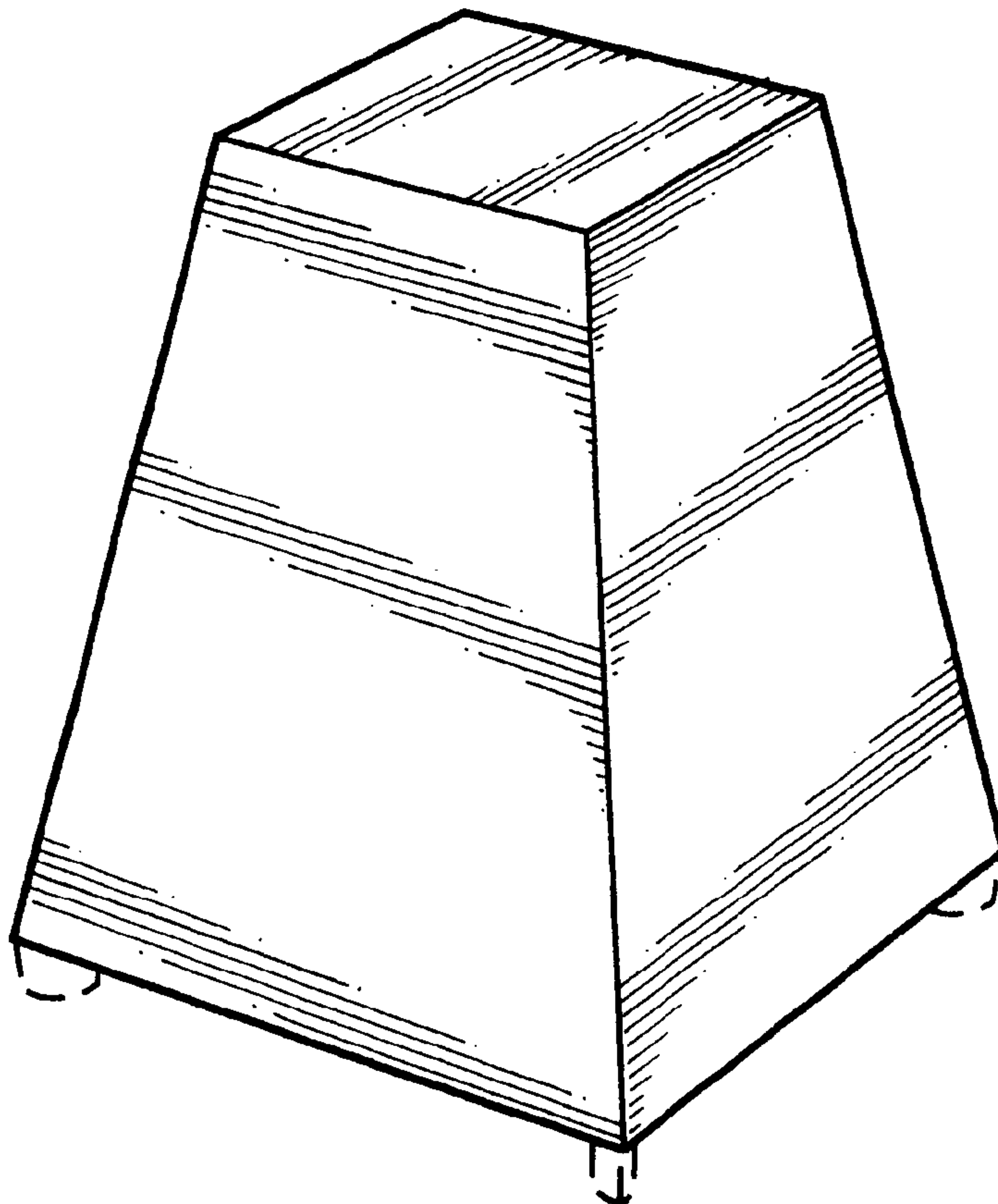
The ornamental design for a speaker housing, as shown and described.

DESCRIPTION

FIG. 1 is a perspective view of a speaker housing showing my new design;
FIG. 2 is a front elevational view thereof, the side elevational and rear elevational views being identical; and,
FIG. 3 is a top plan view thereof.
The broken line showing of the speaker feet/base is for illustrative purposes only and forms no part of the claimed design.

- (56) **References Cited**
- U.S. PATENT DOCUMENTS
- 687,968 A * 12/1901 Reber 229/108.1
- D69,280 S 1/1926 Moss
- 2,276,220 A * 3/1942 Le Veille, Sr. 206/524.1
- 2,312,507 A * 3/1943 Trogman 229/113

1 Claim, 2 Drawing Sheets



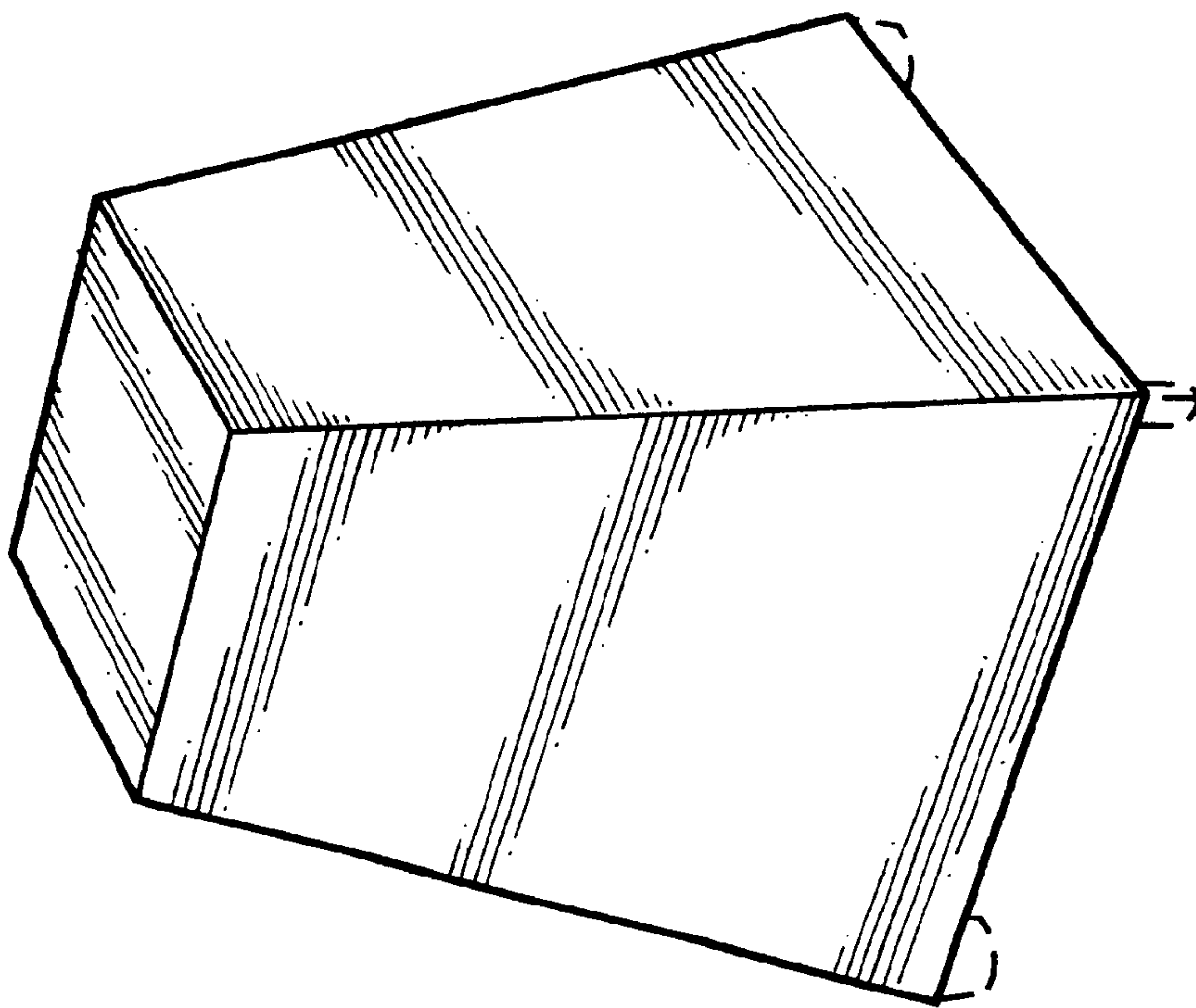


FIG. 1

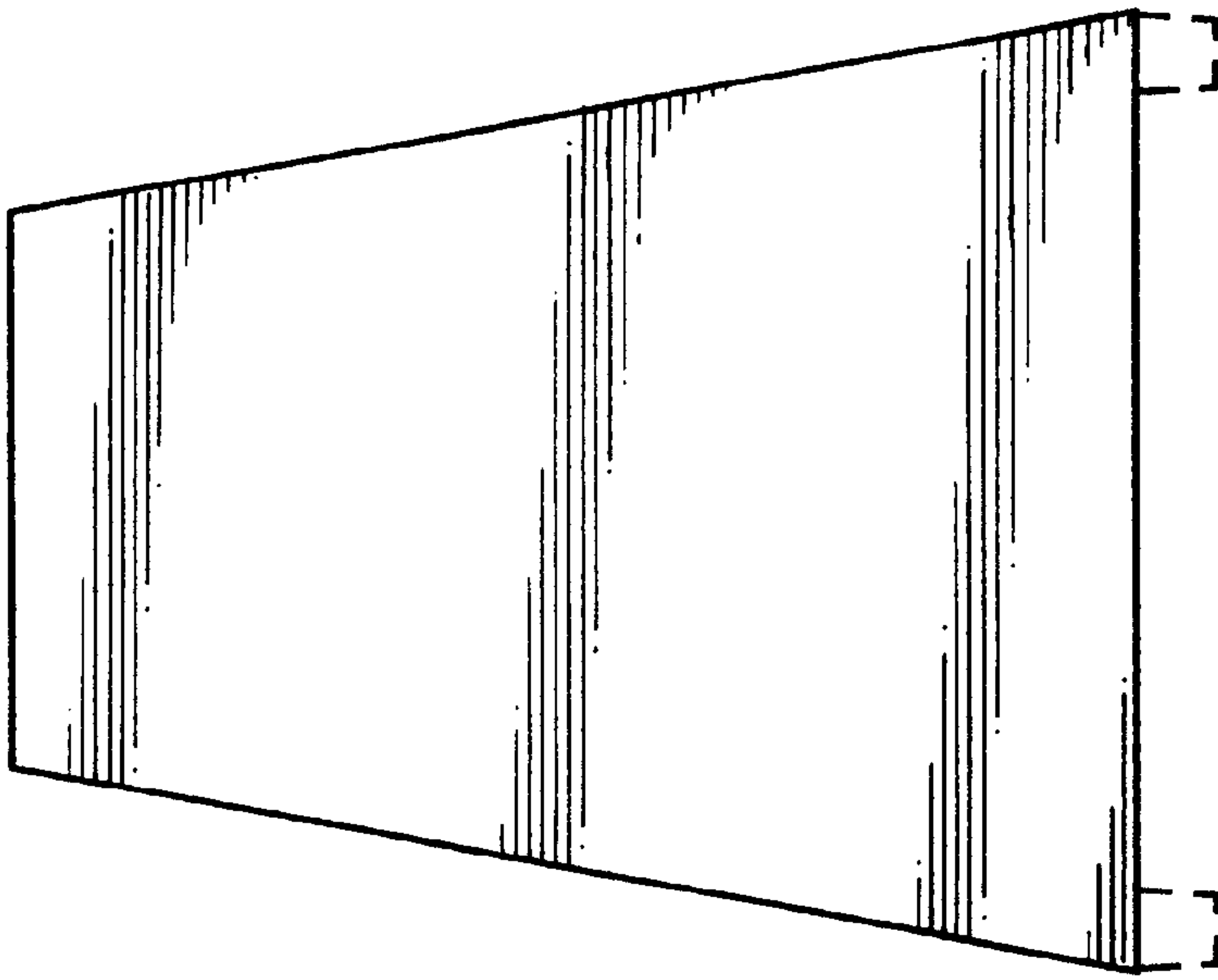


FIG. 2

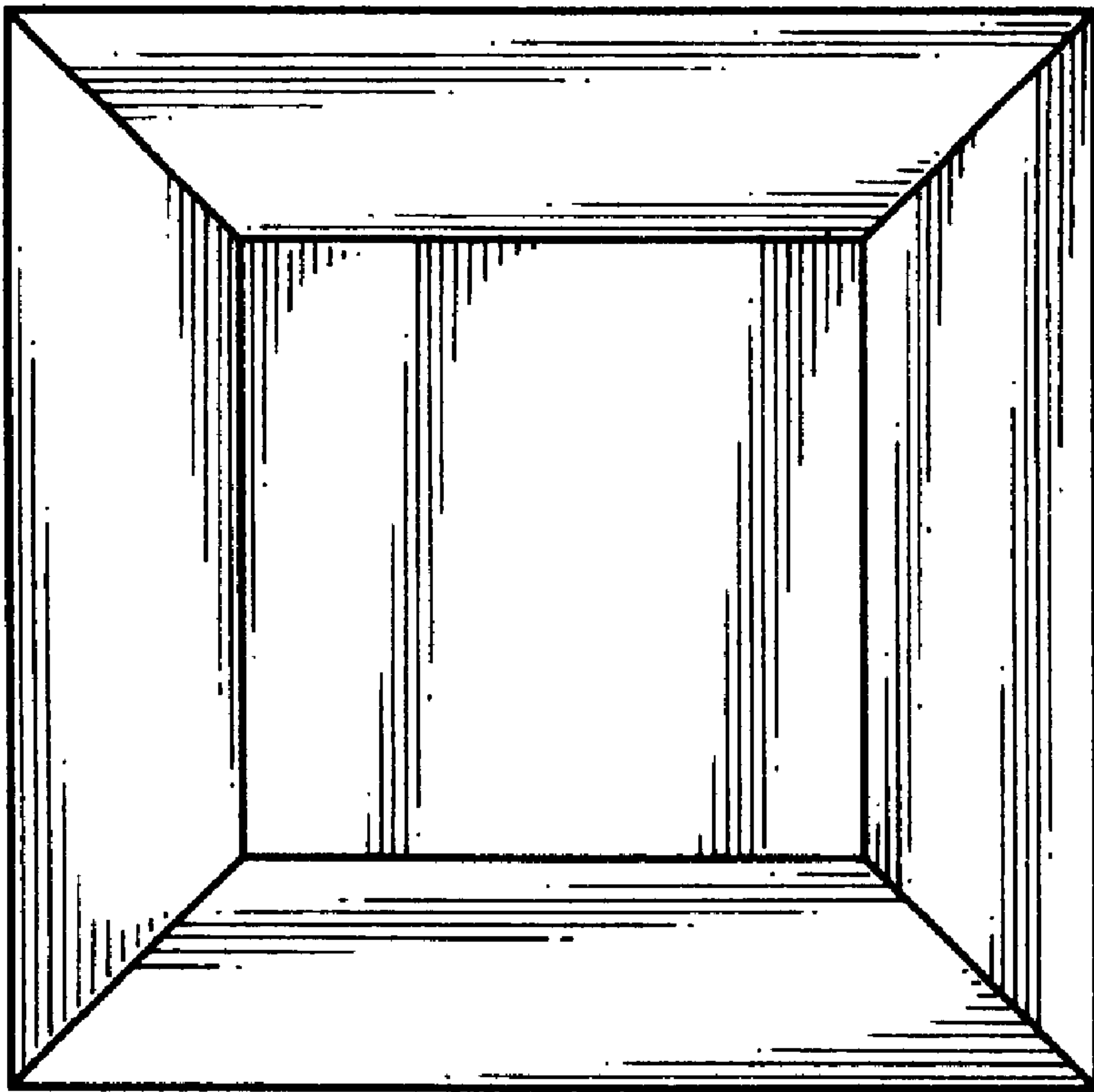


FIG. 3