



US00D471883S

(12) **United States Design Patent**
Sugiyama et al.

(10) **Patent No.:** **US D471,883 S**
(45) **Date of Patent:** **** Mar. 18, 2003**

(54) **PORTION OF A TELEVISION SET**

(75) Inventors: **Hiroki Sugiyama**, Mishima (JP);
Satoshi Araki, Suginami-ku (JP); **Ushio Inami**, Meguro-ku (JP); **Yuichi Izu**,
Kawasaki (JP)

(73) Assignee: **Kabushiki Kaisha Toshiba**, Kawasaki
(JP)

(**) Term: **14 Years**

(21) Appl. No.: **29/162,114**

(22) Filed: **Jun. 11, 2002**

Related U.S. Application Data

(63) Continuation of application No. 29/142,770, filed on Jun. 4,
2001, now Pat. No. Des. 460,426.

(30) **Foreign Application Priority Data**

Jan. 30, 2001 (JP) 2001-001907

(51) **LOC (7) Cl.** **14-03**

(52) **U.S. Cl.** **D14/126**

(58) **Field of Search** D14/126-134,
D14/239, 371, 374, 379; 312/7.2; 348/836,
838, 180, 325, 739; 349/1, 2, 11, 62

(56) **References Cited**

U.S. PATENT DOCUMENTS

D403,310 S * 12/1998 Takemasa D14/379

D408,416 S * 4/1999 Fenner D14/239
D427,169 S * 6/2000 Saeki D14/126
D436,087 S * 1/2001 Takami D14/126

FOREIGN PATENT DOCUMENTS

JP 827776 1/1992
JP 924388 5/1995
JP 1101595 2/2001

* cited by examiner

Primary Examiner—Raphael Barkai

(74) *Attorney, Agent, or Firm*—Oblon, Spivak, McClelland,
Maier & Neustadt, P.C.

(57) **CLAIM**

The ornamental design for a portion of a television set, as
shown and described.

DESCRIPTION

FIG. 1 is a front, top and right side perspective view of a
portion of a television set, showing our new design

FIG. 2 is a front elevational view thereof;

FIG. 3 is a top plan view thereof; and,

FIG. 4 is a right side elevational view thereof; the opposite
side being a mirror image thereof.

The bottom plan view and rear elevational view form no part
of the claimed design and are hereby disclaimed.

The broken lines are shown for illustrative purposes only
and form no part of the claimed design.

1 Claim, 2 Drawing Sheets

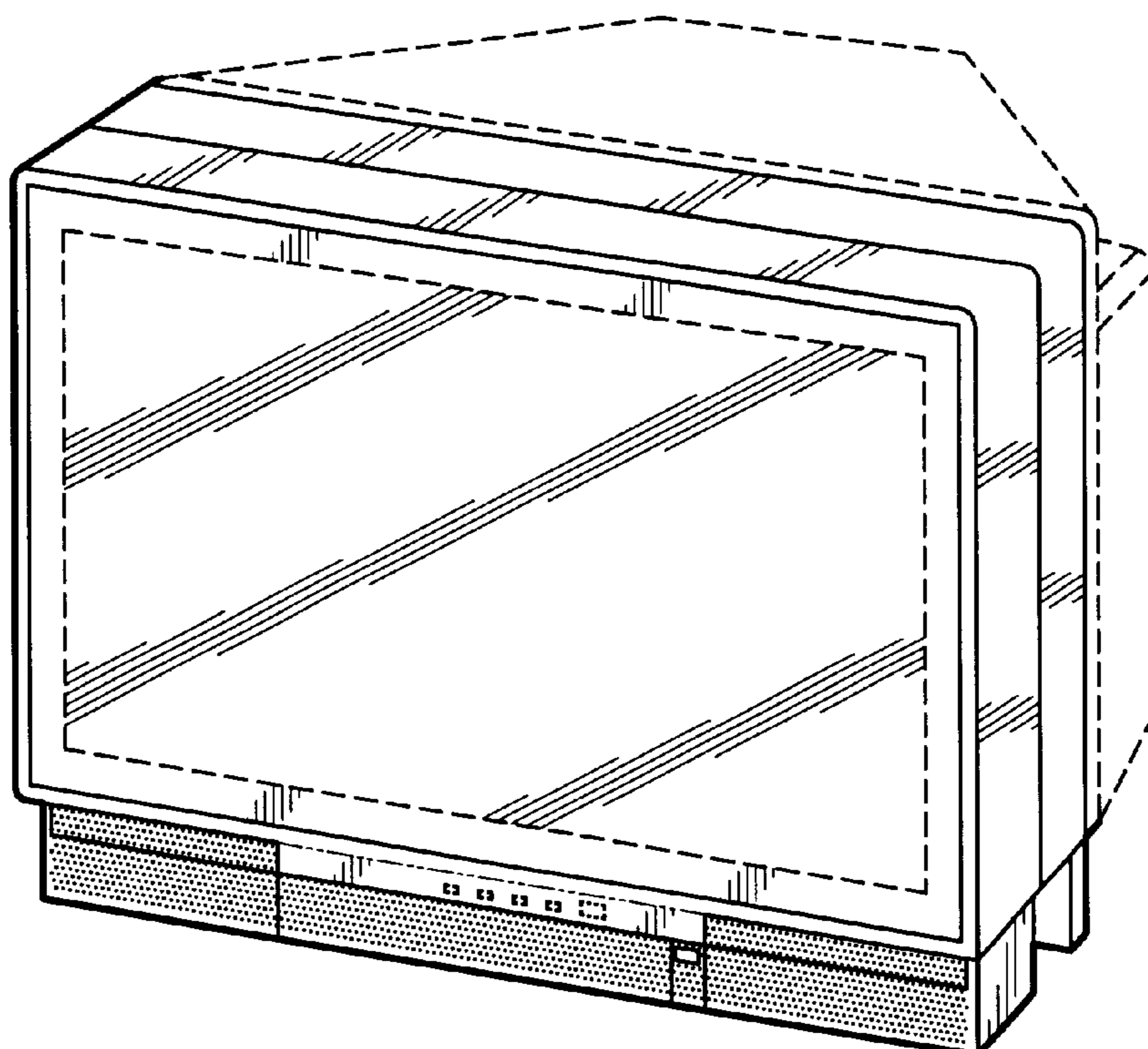


FIG. 1

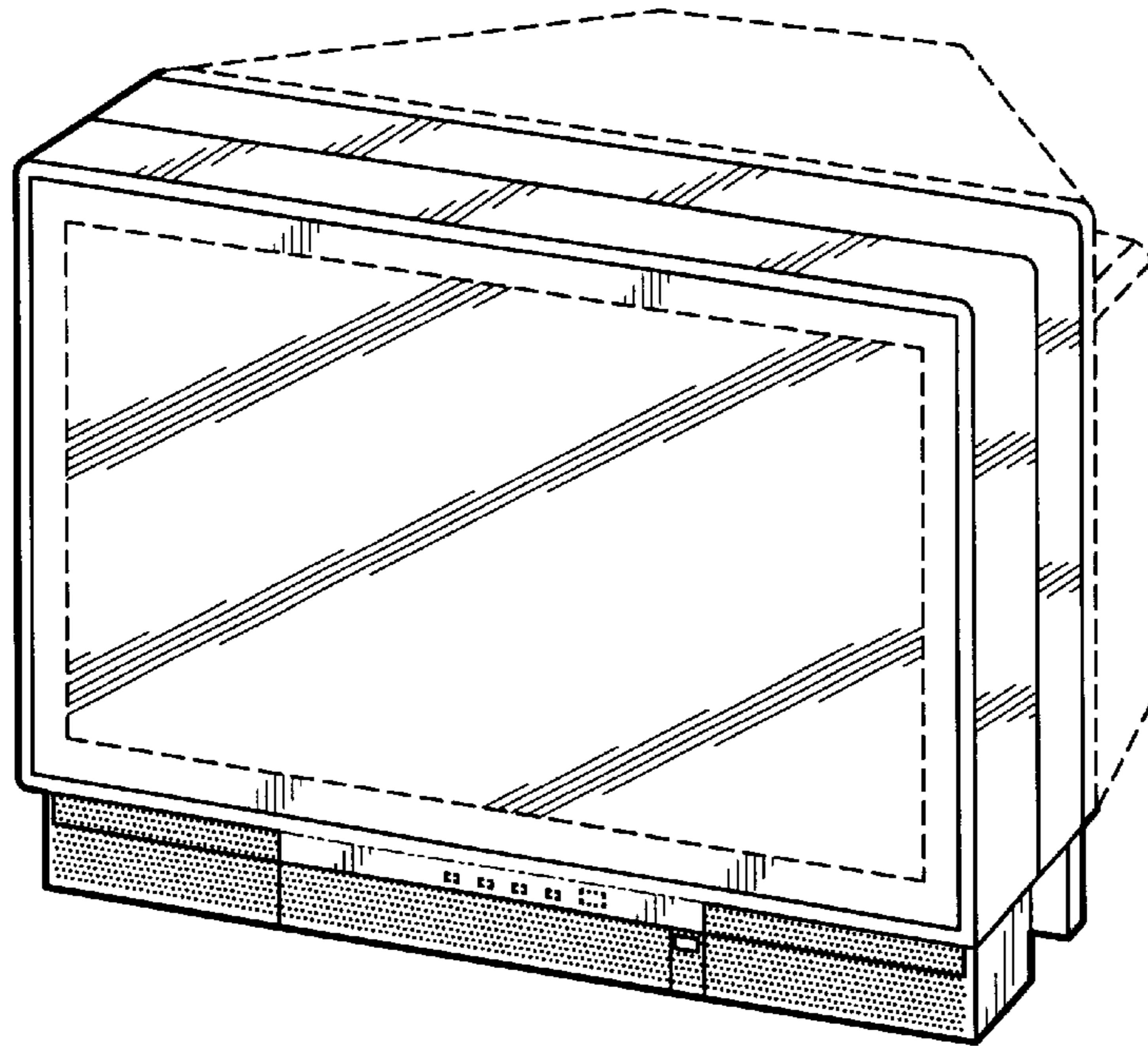


FIG. 2

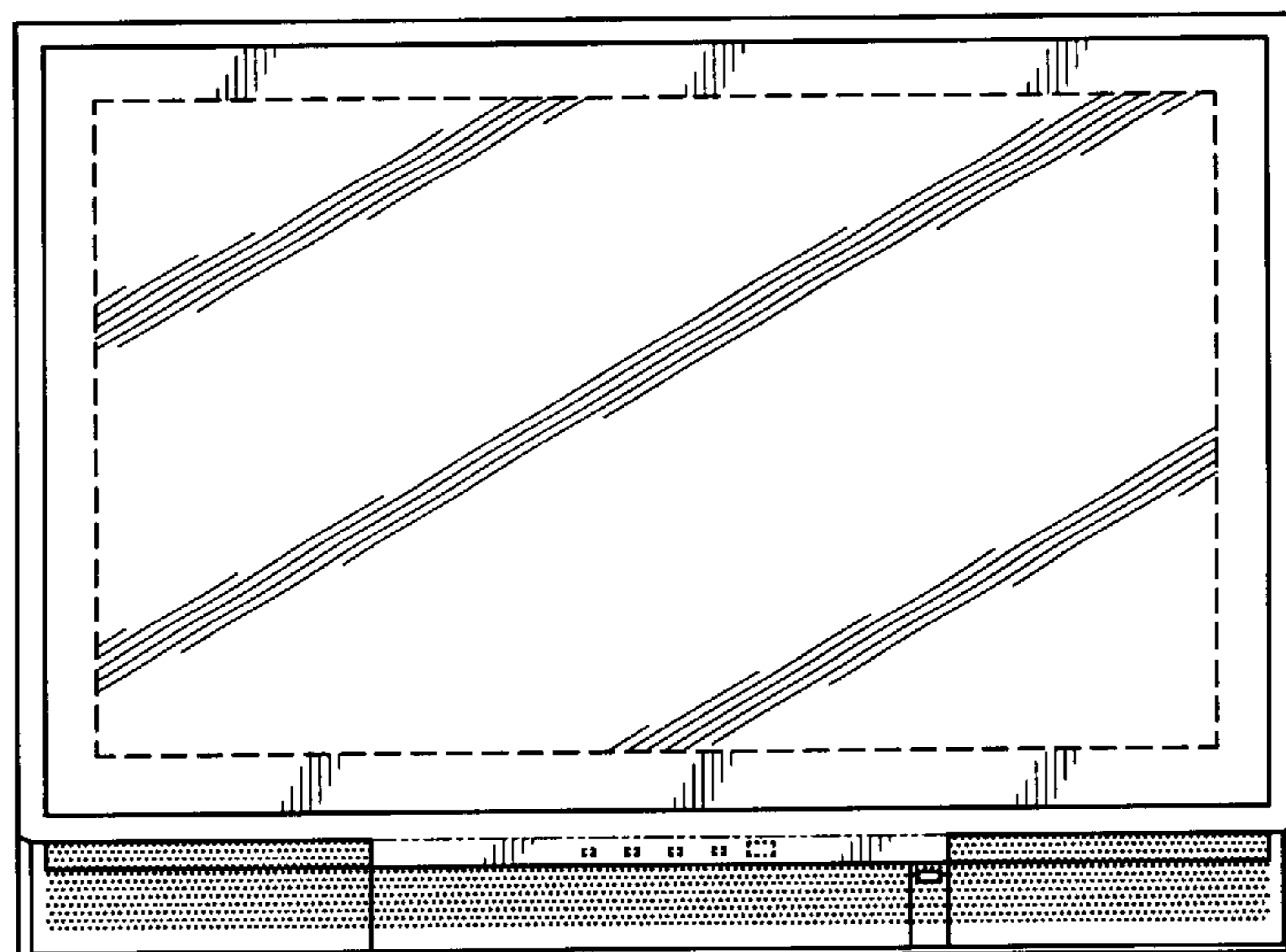


FIG. 3

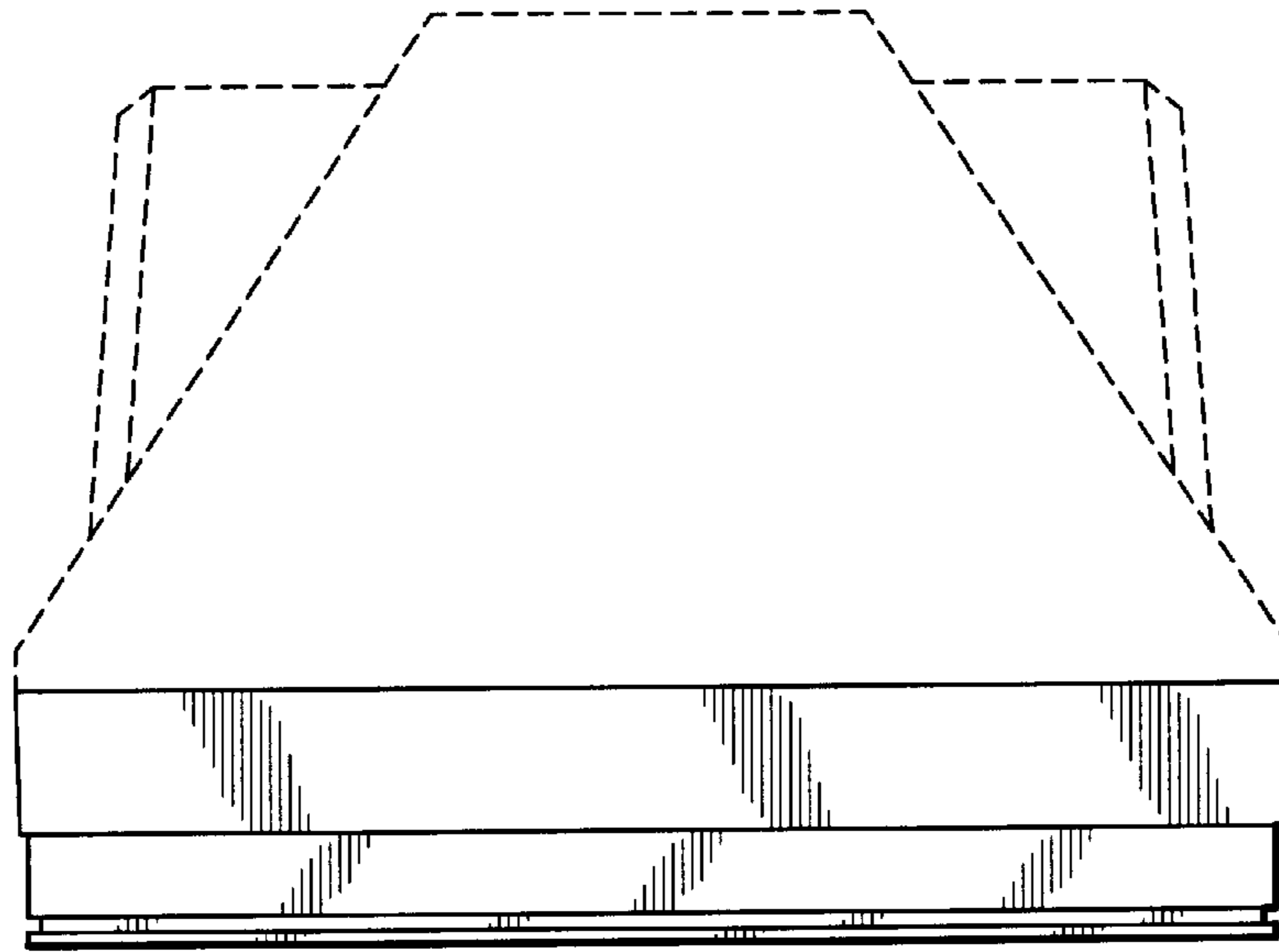


FIG. 4

