



US00D471879S

(12) **United States Design Patent**
Mayo et al.

(10) **Patent No.: US D471,879 S**

(45) **Date of Patent: ** Mar. 18, 2003**

(54) **DIMMER SWITCH**

(75) Inventors: **Noel Mayo**, Philadelphia, PA (US);
Jason O. Adams, Emmaus, PA (US);
Gregory S. Altonen, Easton, PA (US);
Carl W. Gomes, Ocean, NJ (US);
Elliot G. Jacoby, Glenside, PA (US);
Roland L. Ledyard, Bethlehem, PA
(US); **Michael W. Pessina**, Allentown,
PA (US); **Joel S. Spira**, Coopersburg,
PA (US)

(73) Assignee: **Lutron Electronics Co., Inc.**,
Coopersburg, PA (US)

(**) Term: **14 Years**

(21) Appl. No.: **29/151,500**

(22) Filed: **Nov. 13, 2001**

(51) **LOC (7) Cl. 13-03**

(52) **U.S. Cl. D13/171**

(58) **Field of Search** D8/350-353, 330,
D8/343; D6/300, 309; D13/125, 162, 169,
170, 171, 174, 177; D23/254; 16/402; 174/48,
52.1, 66; 200/5 R, 5 A, 16 R, 42.1, 237,
293, 308, 310, 313-314, 324, 329, 331,
341, 519, 547; 292/357; 220/240; 307/125

(56) **References Cited**

U.S. PATENT DOCUMENTS

1,829,422 A	*	10/1931	Seltzer	220/241
2,141,936 A	*	12/1938	Schmitt	200/304
D151,305 S	*	10/1948	Waltman	D8/350
D153,803 S	*	5/1949	Huppert	D8/352
2,460,599 A		10/1949	Rowe	74/565
3,571,545 A		3/1971	Haderer	200/166
3,684,850 A		8/1972	Kaderbek et al.	200/166
3,939,318 A		2/1976	Brown et al.	200/159 R
4,109,121 A		8/1978	Bauer et al.	200/67 E
4,159,563 A		7/1979	Bauer et al.	29/622
D253,342 S	*	11/1979	Mayo	D13/125
4,352,964 A		10/1982	English	200/5 A
4,672,229 A		6/1987	Skarman et al.	307/115

4,695,820 A	*	9/1987	D'Aleo et al.	338/179
4,783,581 A		11/1988	Flowers et al.	200/332
4,803,380 A		2/1989	Jacoby, Jr. et al.	307/157

(List continued on next page.)

OTHER PUBLICATIONS

“Lutron® Residential Lighting Controls Catalog” by Lutron Electronics Co., Inc. of Coopersburg, PA, Oct. 31, 2001, p. 30-32, 52-68 and 80-87.

Product literature for “Maestro® Electronic Low-Voltage Dimmers” by Lutron Electronic Co., Inc. of Coopersburg, PA, Dec. 2001, 2 pages.

(List continued on next page.)

Primary Examiner—Ted Shooman

Assistant Examiner—Selina Sikder

(74) *Attorney, Agent, or Firm*—Drinker Biddle & Reath LLP

(57) **CLAIM**

The ornamental design for a dimmer switch, as shown and described.

DESCRIPTION

FIG. 1 is a perspective view of a dimmer switch showing our new design,

FIG. 2 is a perspective view of the second embodiment of the design of FIG. 1, the only difference being the pushbutton actuator is shown in solid black to indicate that the color of the pushbutton actuator contrasts with the color of remaining portions of the design of FIG. 1;

FIG. 3 is a front elevational view of the design shown in FIG. 1;

FIG. 4 is a rear elevational view thereof,

FIG. 5 is a left side elevational view thereof;

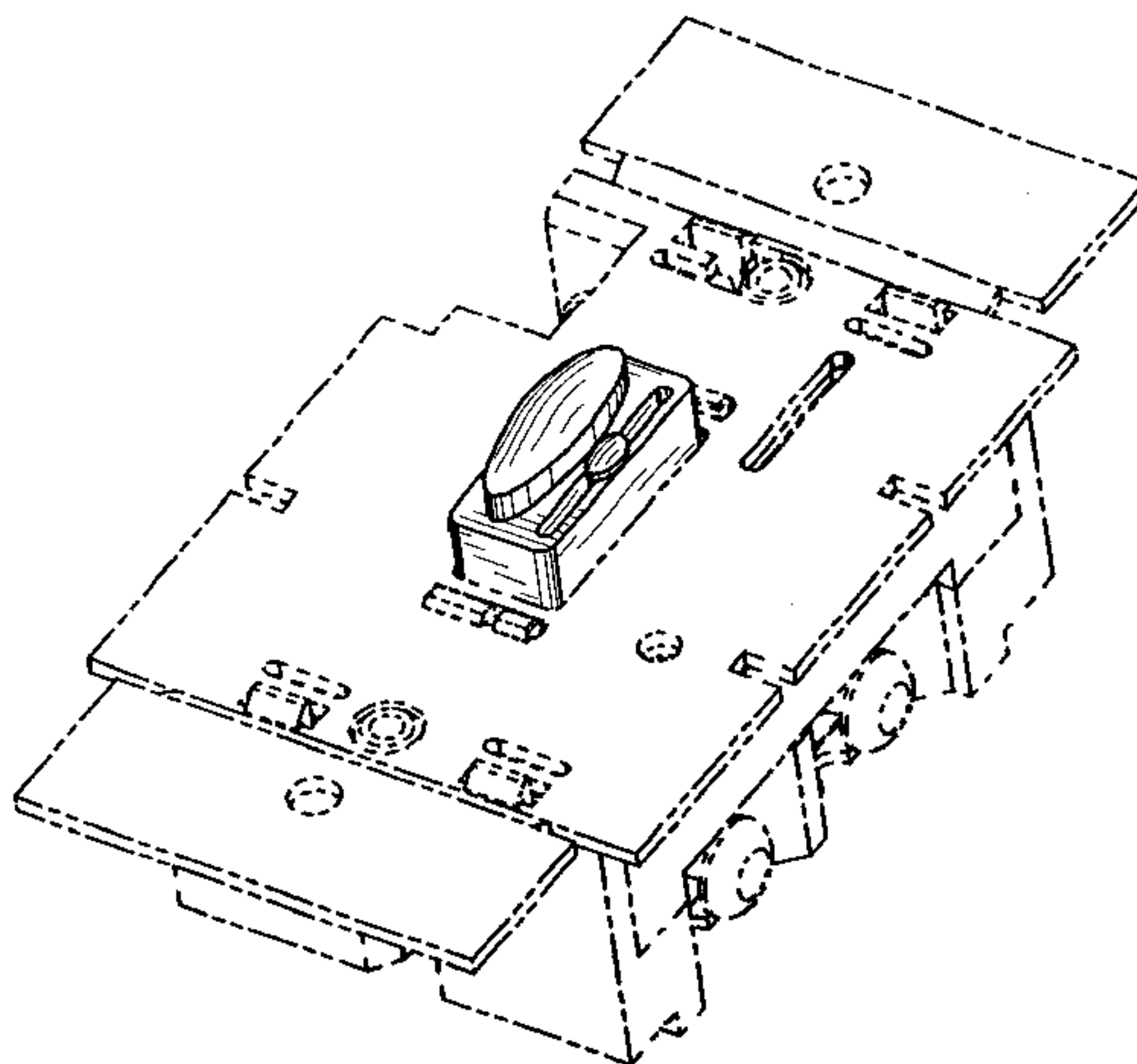
FIG. 6 is a right side elevational view thereof;

FIG. 7 is a top plan view thereof; and,

FIG. 8 is a bottom plan view thereof.

The broken line showing of the environment is for illustrative purpose only and forms no part of the claimed design.

1 Claim, 5 Drawing Sheets



U.S. PATENT DOCUMENTS

4,822,963 A 4/1989 Martin 200/296
 4,833,277 A * 5/1989 Jacoby, Jr. et al. 174/66
 4,835,343 A 5/1989 Graef et al. 174/66
 4,871,893 A 10/1989 Slovak et al. 200/16 R
 4,880,950 A 11/1989 Carson et al. 200/547
 4,939,383 A 7/1990 Tucker et al. 307/139
 4,947,054 A 8/1990 Flowers et al. 307/125
 5,068,639 A 11/1991 Swanson et al. 338/179
 D337,755 S 7/1993 Rowen et al. D13/170
 5,248,919 A 9/1993 Hanna et al. 315/291
 5,262,678 A 11/1993 Flowers et al. 307/125
 D342,234 S 12/1993 Graybill, Jr. et al. D13/169
 5,338,910 A 8/1994 Tsai 200/547
 5,343,007 A 8/1994 Roeser 200/296
 5,359,231 A 10/1994 Flowers et al. 307/125
 D353,798 S 12/1994 Bryde et al. D13/169
 5,399,821 A 3/1995 Inagaki et al. 200/341
 5,428,674 A 6/1995 Kawashima 379/100
 5,446,252 A 8/1995 Burger 200/329
 D364,141 S 11/1995 Hanna et al. D13/125
 5,584,380 A 12/1996 Naitou 200/315
 5,608,196 A 3/1997 Hall et al. 200/61.19
 5,637,930 A 6/1997 Rowen et al. 307/112
 5,669,484 A 9/1997 Paulson 200/43.22
 5,675,125 A 10/1997 Hollinger 174/66
 5,721,405 A 2/1998 Hamada 200/16 R
 5,753,983 A 5/1998 Dickie et al. 307/141.4
 5,821,482 A 10/1998 Ootani et al. 200/5 A
 5,844,182 A 12/1998 Hirano et al. 200/5 R
 5,881,866 A 3/1999 Miyajima et al. 200/513
 5,909,087 A 6/1999 Bryde et al. 315/149
 5,921,381 A 7/1999 Von Arx 200/345

5,949,149 A * 9/1999 Shitanaka et al. 307/10.1
 6,005,308 A 12/1999 Bryde et al. 307/157
 6,013,885 A 1/2000 Kowalczyk 200/315
 6,017,585 A 8/2000 Gehr 200/505
 D439,220 S 3/2001 Mayo et al. D13/125
 D456,785 S * 5/2002 Yu D13/169

OTHER PUBLICATIONS

Product literature for “VAREO® and NOVA T (star design) ® Controls” by Lutron Electronics Co., Inc. of Coopersburg, PA, Dec. 1996, 2 pages.
 NEMA Standards Publication No. ANSI/NEMA WD 6–2001, Wiring Devices–Dimensional Specifications, pages 5 and 7.
 Photograph of Toggler® dimmer switch, Model TG–600PH, Lutron Electronics Co. Inc., Coopersburg, PA, known prior to Nov. 13, 2001.
 Photograph of DIVA Duo brand dimmer switch and wall-plate, Model LDV–600P, Lutron Electronics Co. Inc., Coopersburg, PA, known prior to Nov. 13, 2001.
 Photograph of Maestro® dimmer switch, Model MA–600H, Lutron Electronics Co. Inc., Coopersburg, PA, known prior to Nov. 13, 2001.
 Photograph of Lumea 2 brand dimmer switch, Model LTLV–603PH, Lutron Electronics Co. Inc., Coopersburg, PA, known prior to Nov. 13, 2001.
 Photograph of VAREO® dimmer switch, Model V–1000, Lutron Electronics Co., Inc., Coopersburg, PA, known prior to Nov. 13, 2001.

* cited by examiner

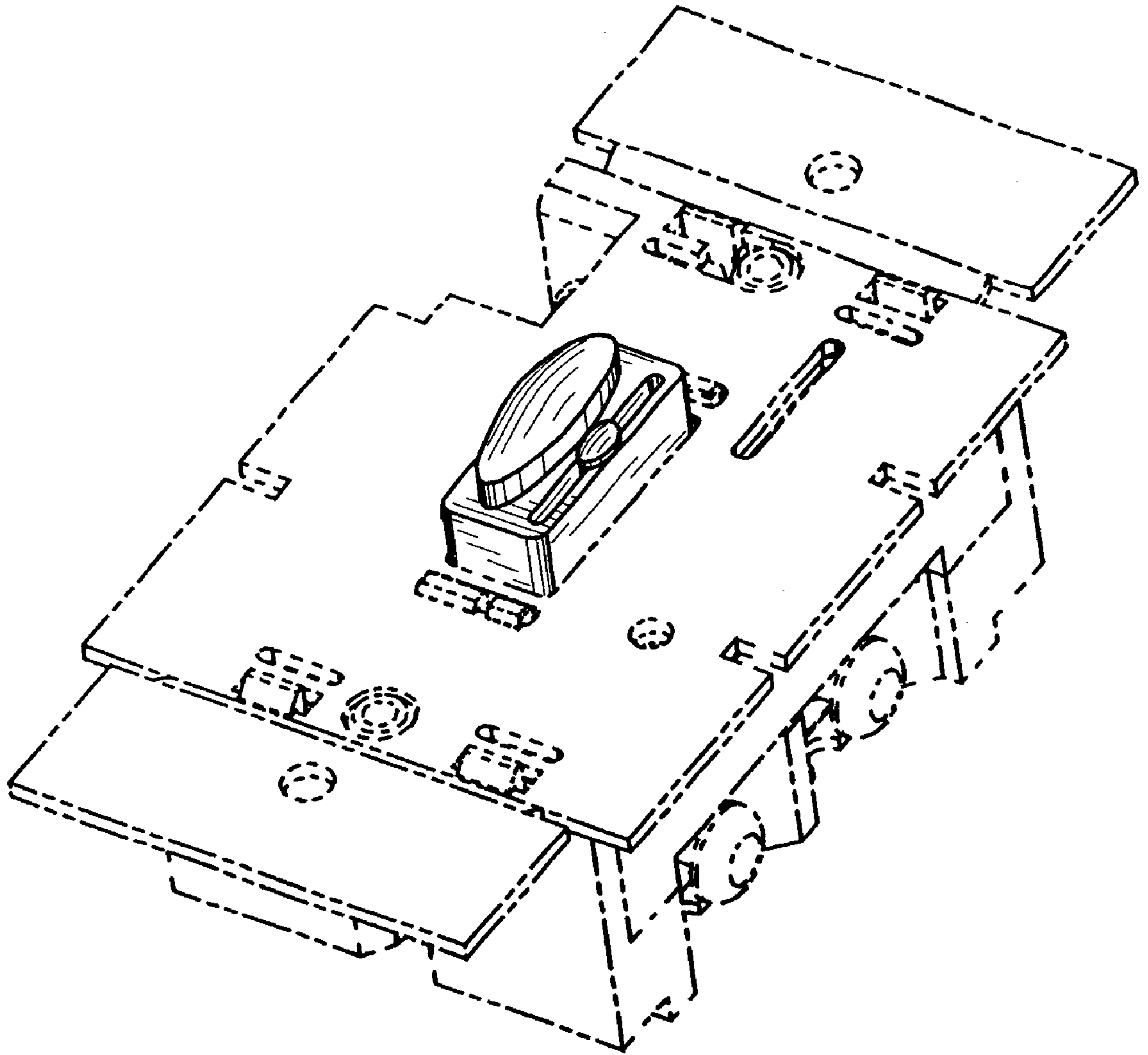


FIG. 1

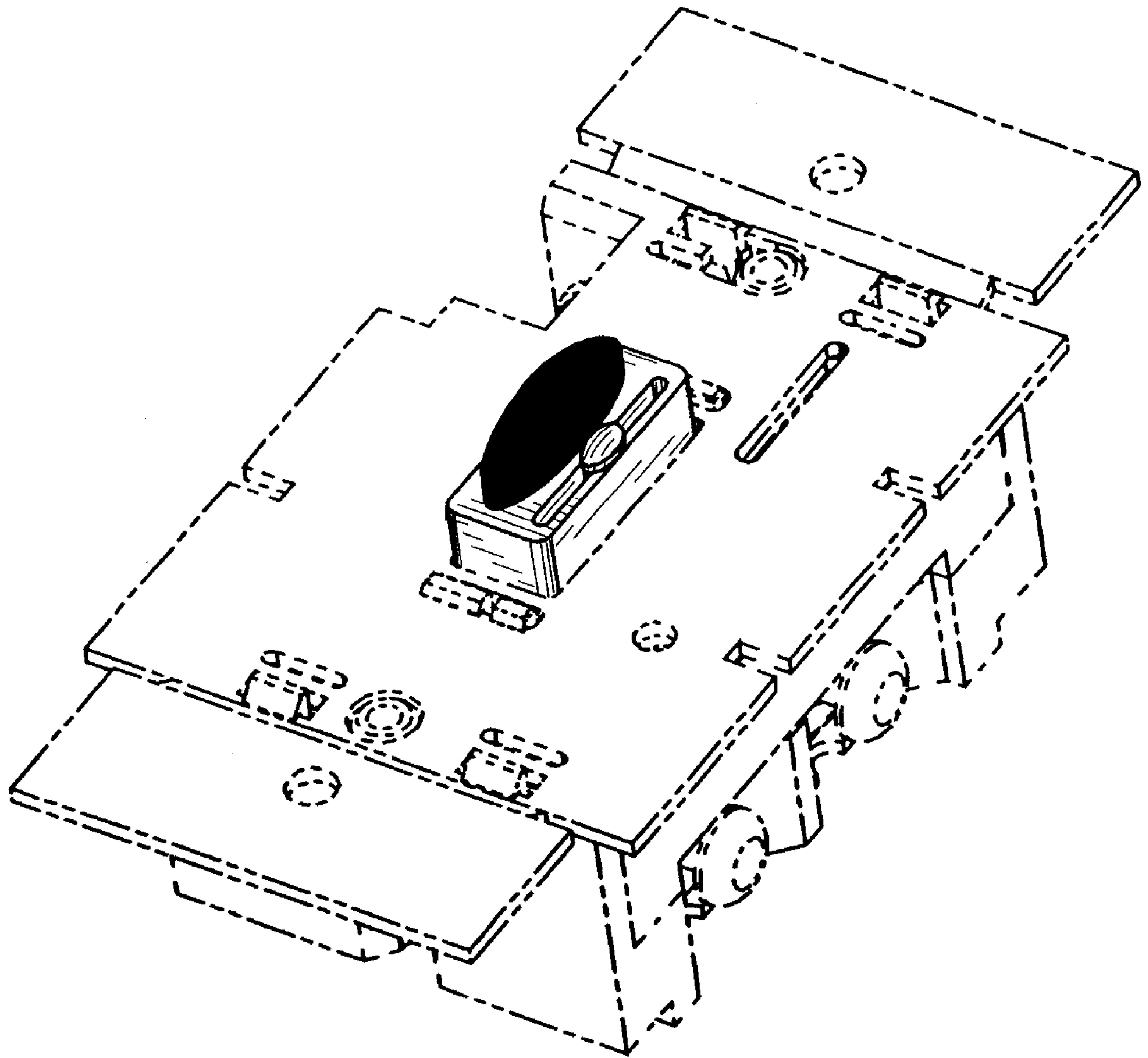


FIG. 2

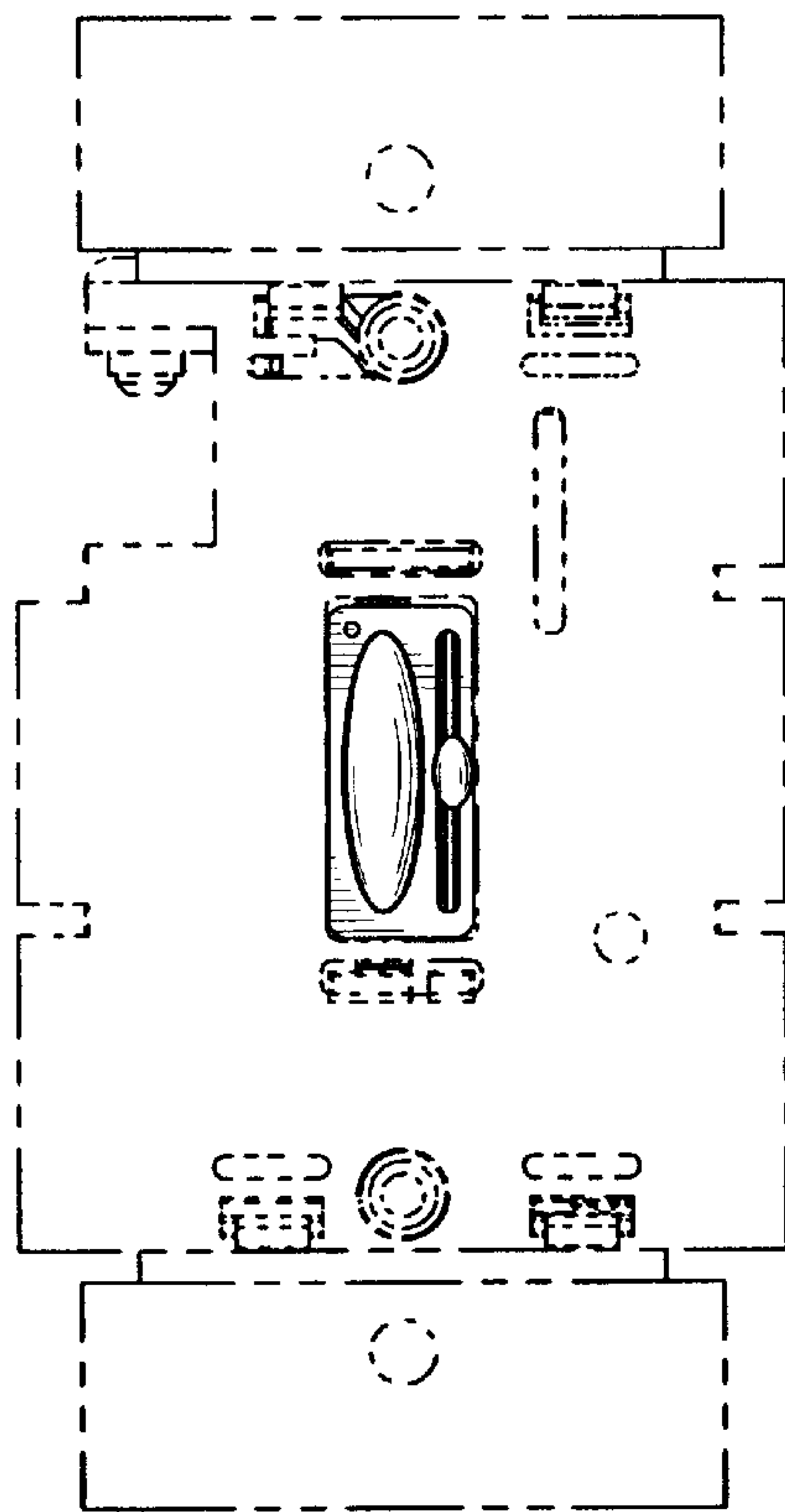


FIG. 3

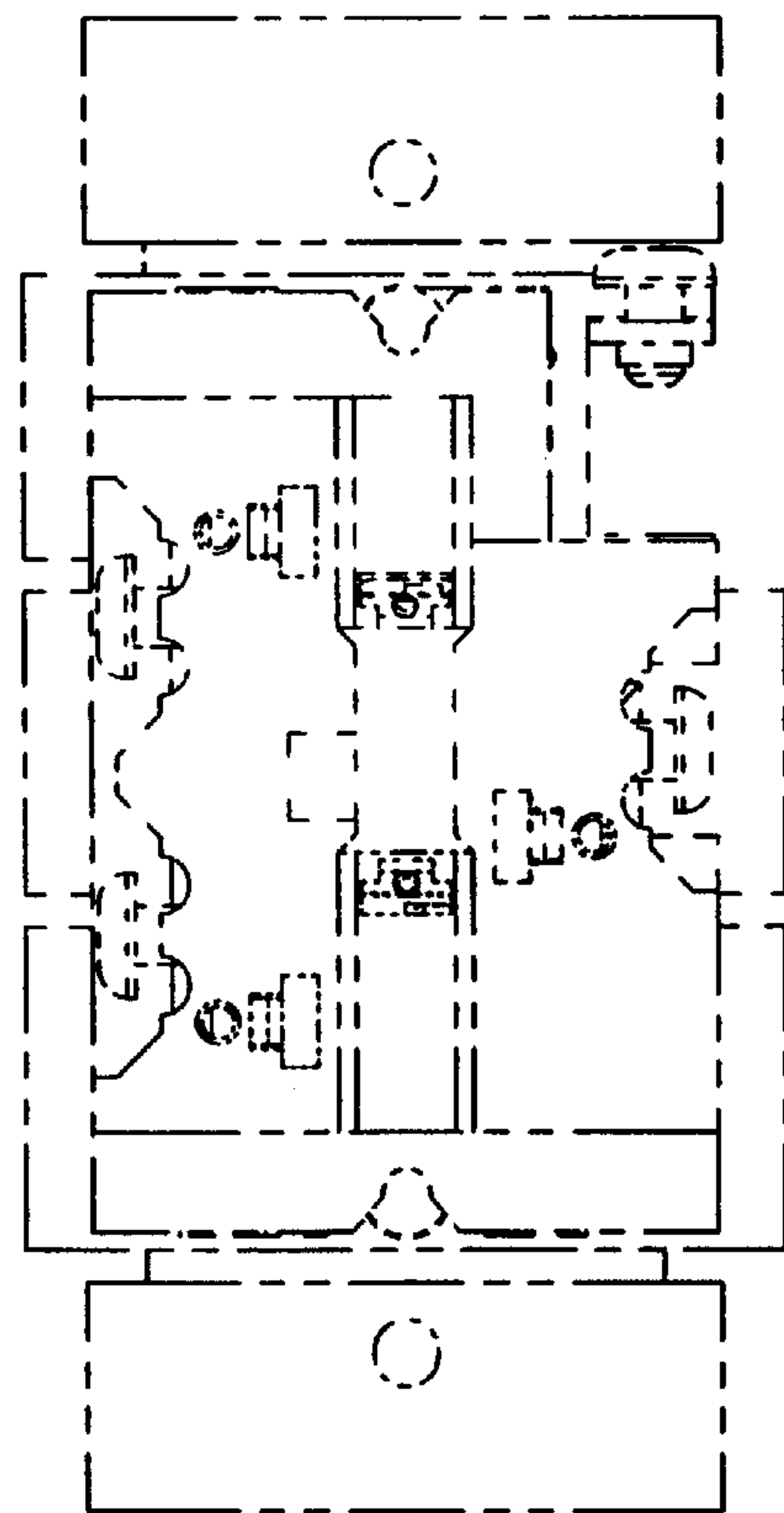


FIG. 4

FIG. 5

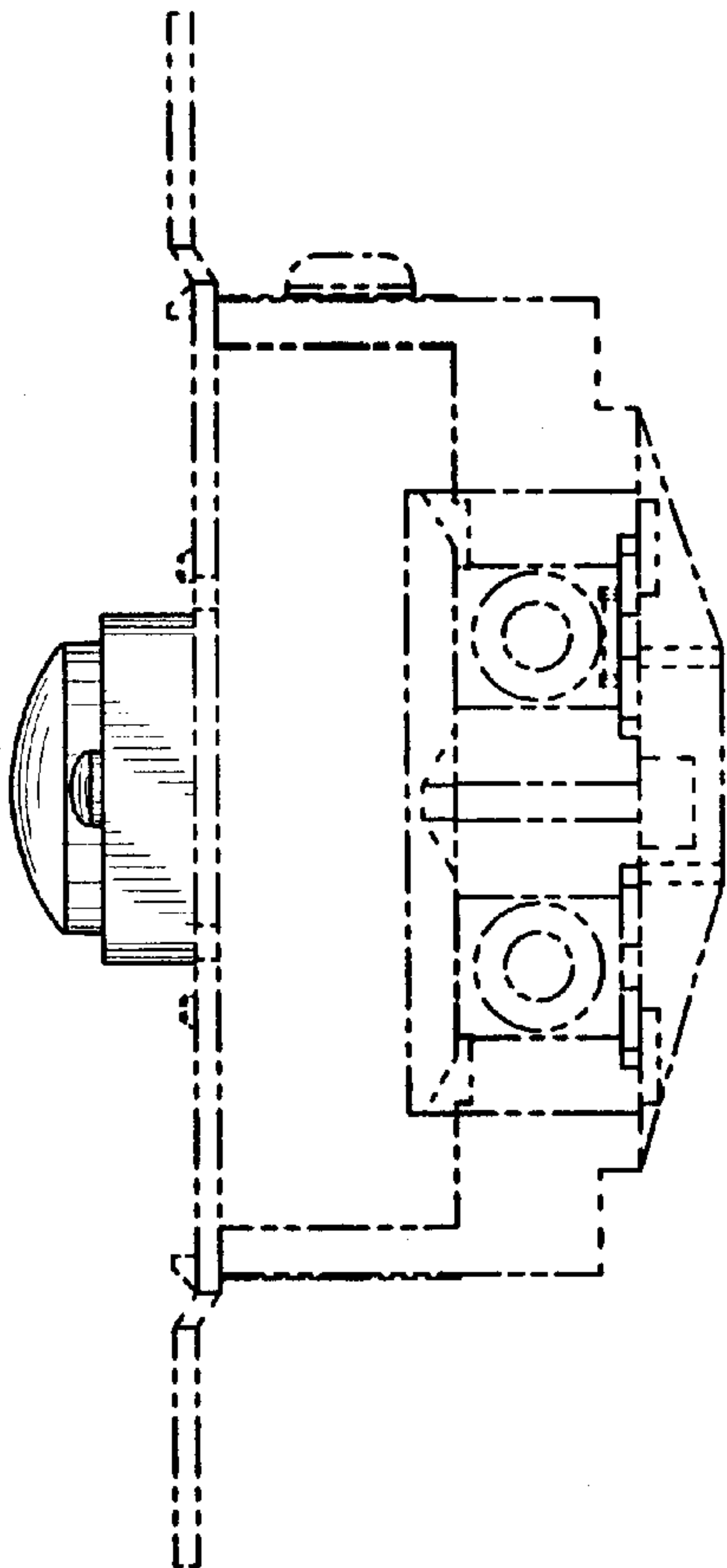
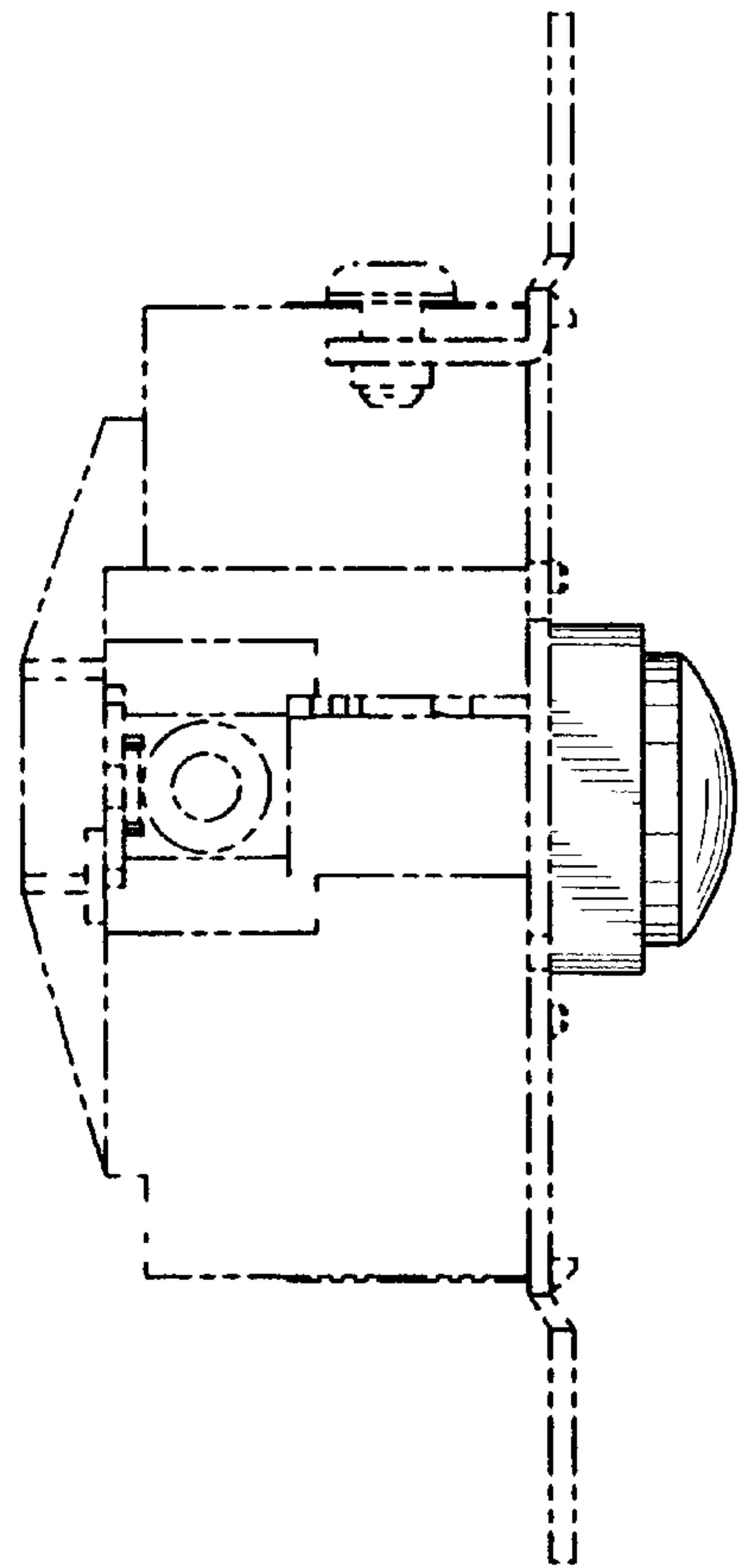


FIG. 6

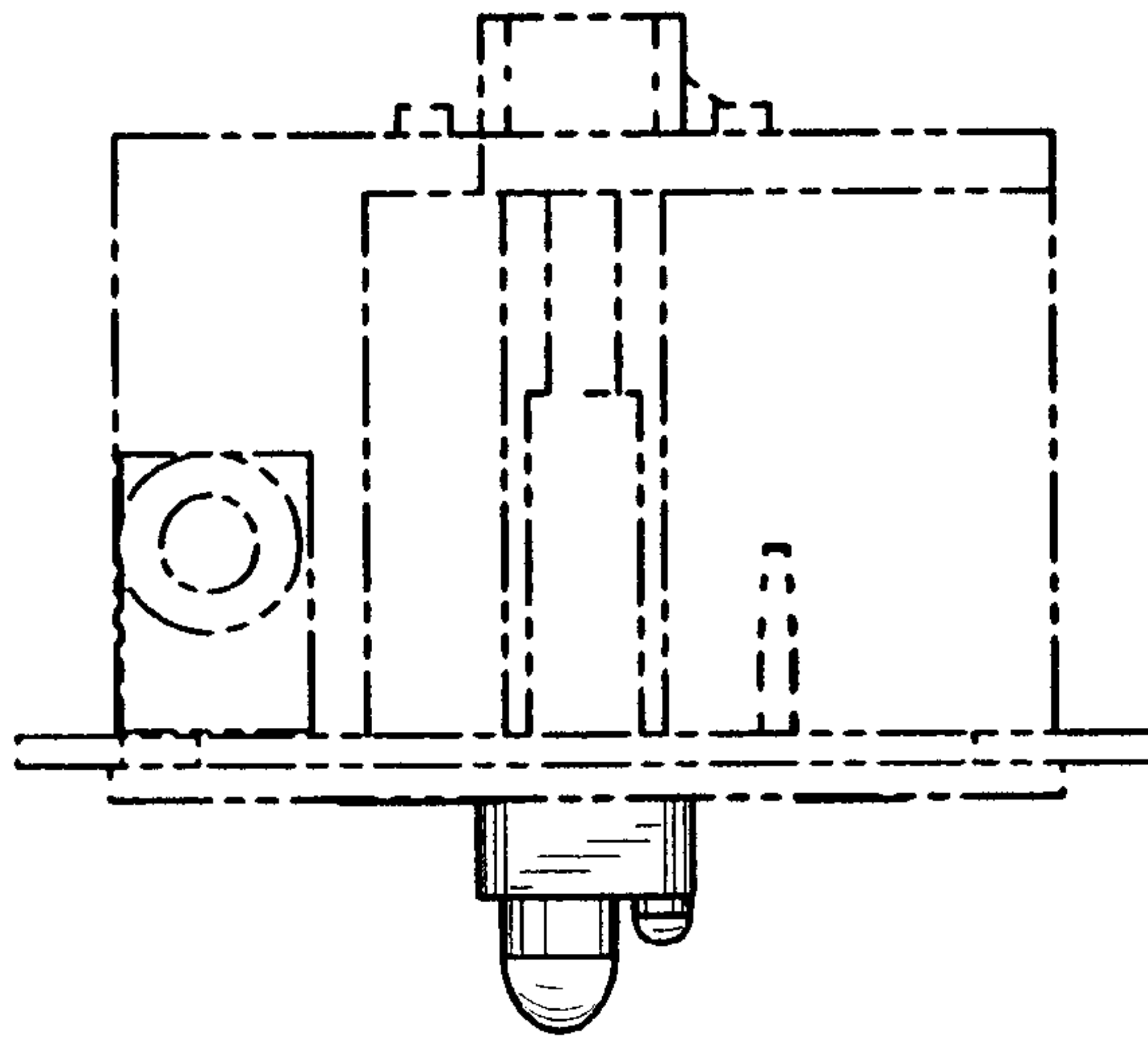


FIG. 7

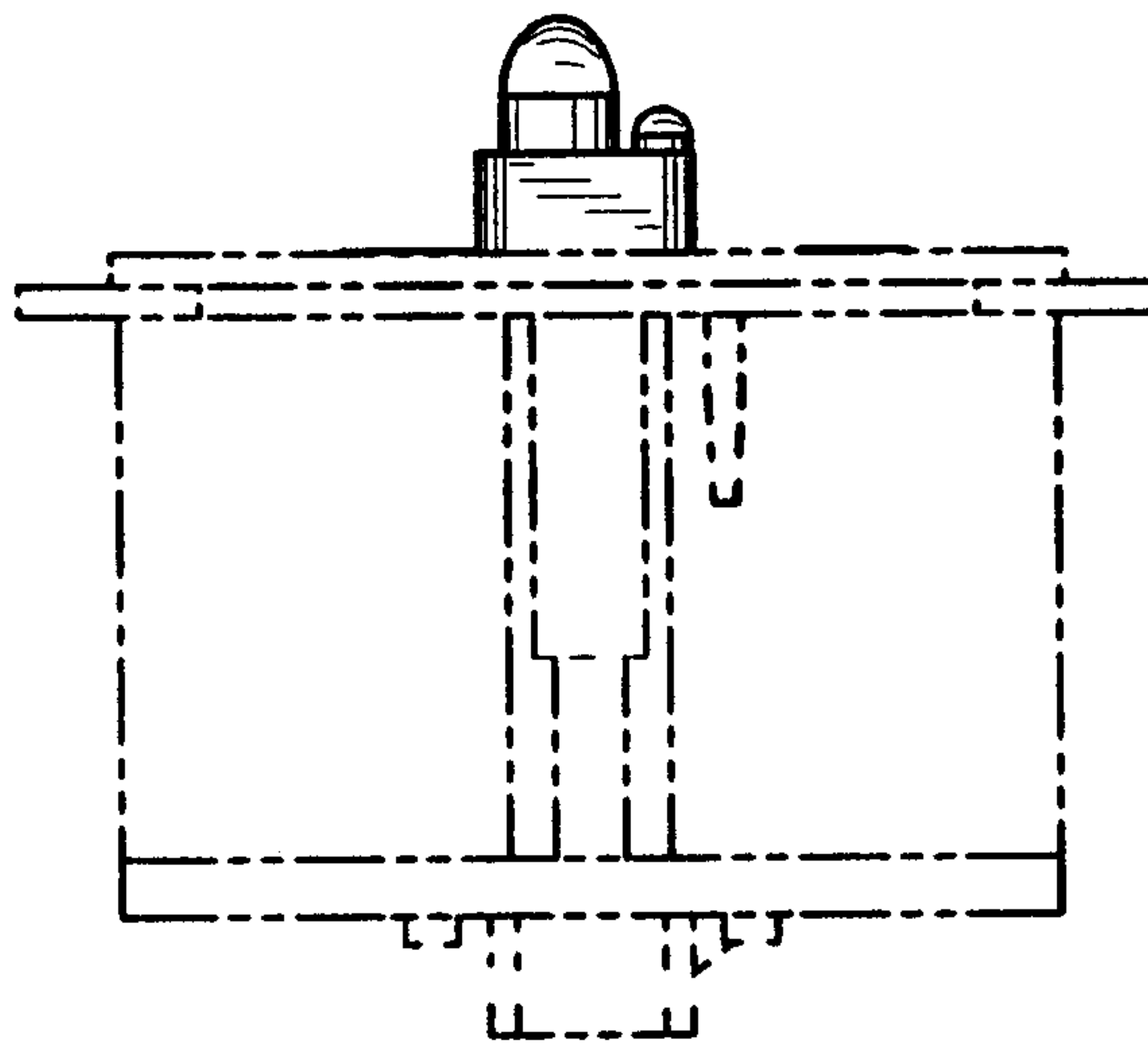


FIG. 8