



US00D471875S

(12) **United States Design Patent**
Woelfle

(10) **Patent No.:** **US D471,875 S**

(45) **Date of Patent:** **** Mar. 18, 2003**

(54) **CLAMPING CONNECTOR**

(75) Inventor: **Andreas Woelfle**, Blumberg (DE)

(73) Assignee: **RIA-BTR Produktions GmbH**,
Blumberg (DE)

(**) Term: **14 Years**

(21) Appl. No.: **29/144,806**

(22) Filed: **Jul. 10, 2001**

(51) **LOC (7) Cl.** **13-03**

(52) **U.S. Cl.** **D13/149; D13/133**

(58) **Field of Search** **D13/133, 149,**
D13/146, 147; 439/260, 329, 492, 495,
570

(56) **References Cited**

U.S. PATENT DOCUMENTS

3,629,806 A	*	12/1971	Wiechmann	439/521
D293,313 S	*	12/1987	Justiano et al.	D13/133
5,203,716 A	*	4/1993	Martucci et al.	439/411
D353,380 S	*	12/1994	Baum et al.	D14/240
5,417,583 A	*	5/1995	Ishizaki et al.	439/409

5,445,528 A	*	8/1995	Frantz	439/79
5,606,299 A	*	2/1997	Innes et al.	335/202
5,860,829 A	*	1/1999	Hower et al.	439/417
5,993,267 A	*	11/1999	Lin	439/709
6,050,845 A	*	4/2000	Smalley, Jr. et al.	439/417
D444,127 S	*	6/2001	Wong	D13/146

* cited by examiner

Primary Examiner—Joel Sincavage

(74) *Attorney, Agent, or Firm*—Choate, Hall & Stewart

(57) **CLAIM**

The ornamental design for a clamping connector, as shown and described.

DESCRIPTION

FIG. 1 is a rear view of a clamping connector showing my new design;
 FIG. 2 is a front view thereof;
 FIG. 3 is a rear and lower left perspective view thereof;
 FIG. 4 is a left side view thereof;
 FIG. 5 is a top/bottom view thereof; and,
 FIG. 6 is a front and upper right perspective view thereof.

1 Claim, 6 Drawing Sheets

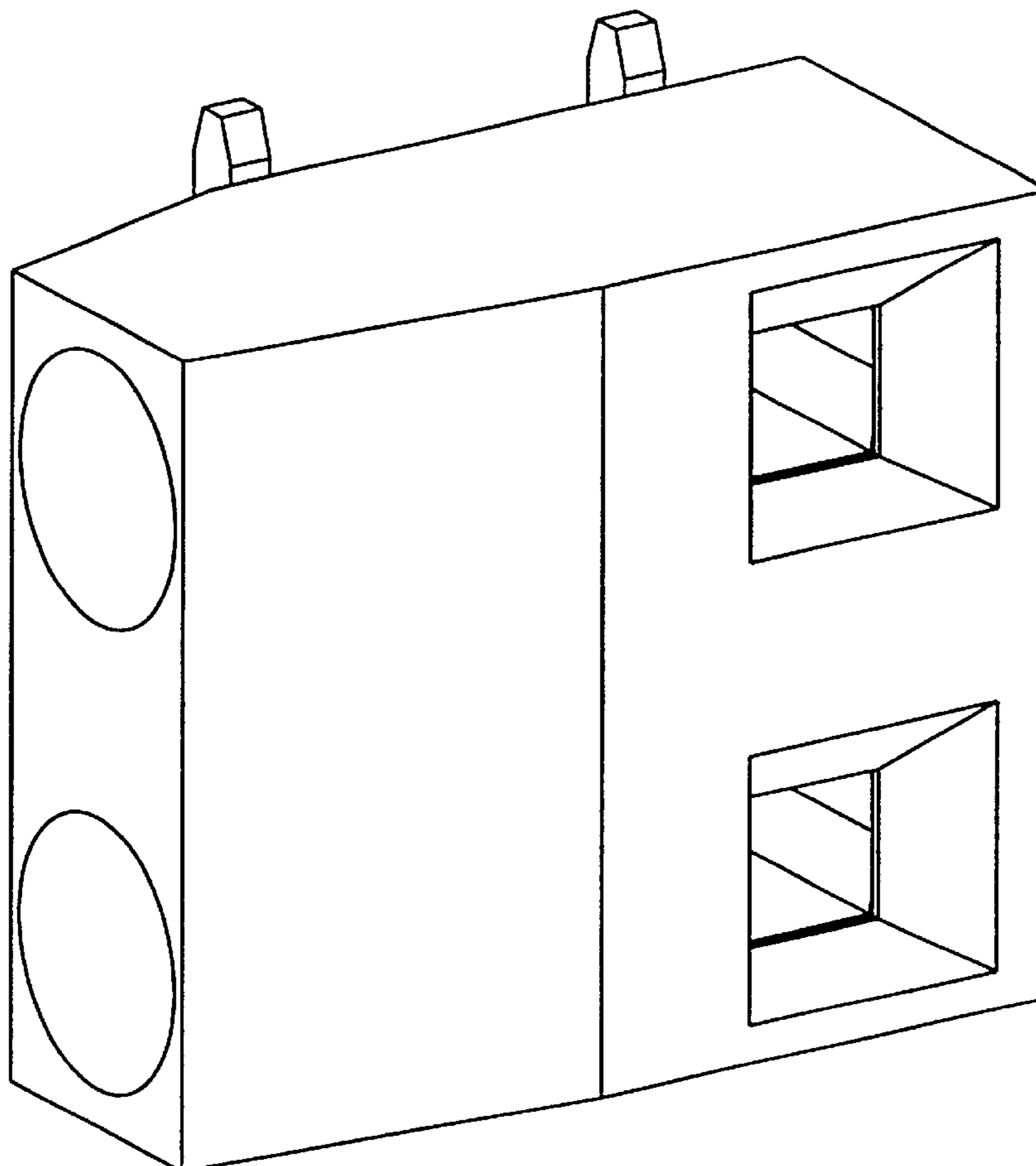


FIG. 1

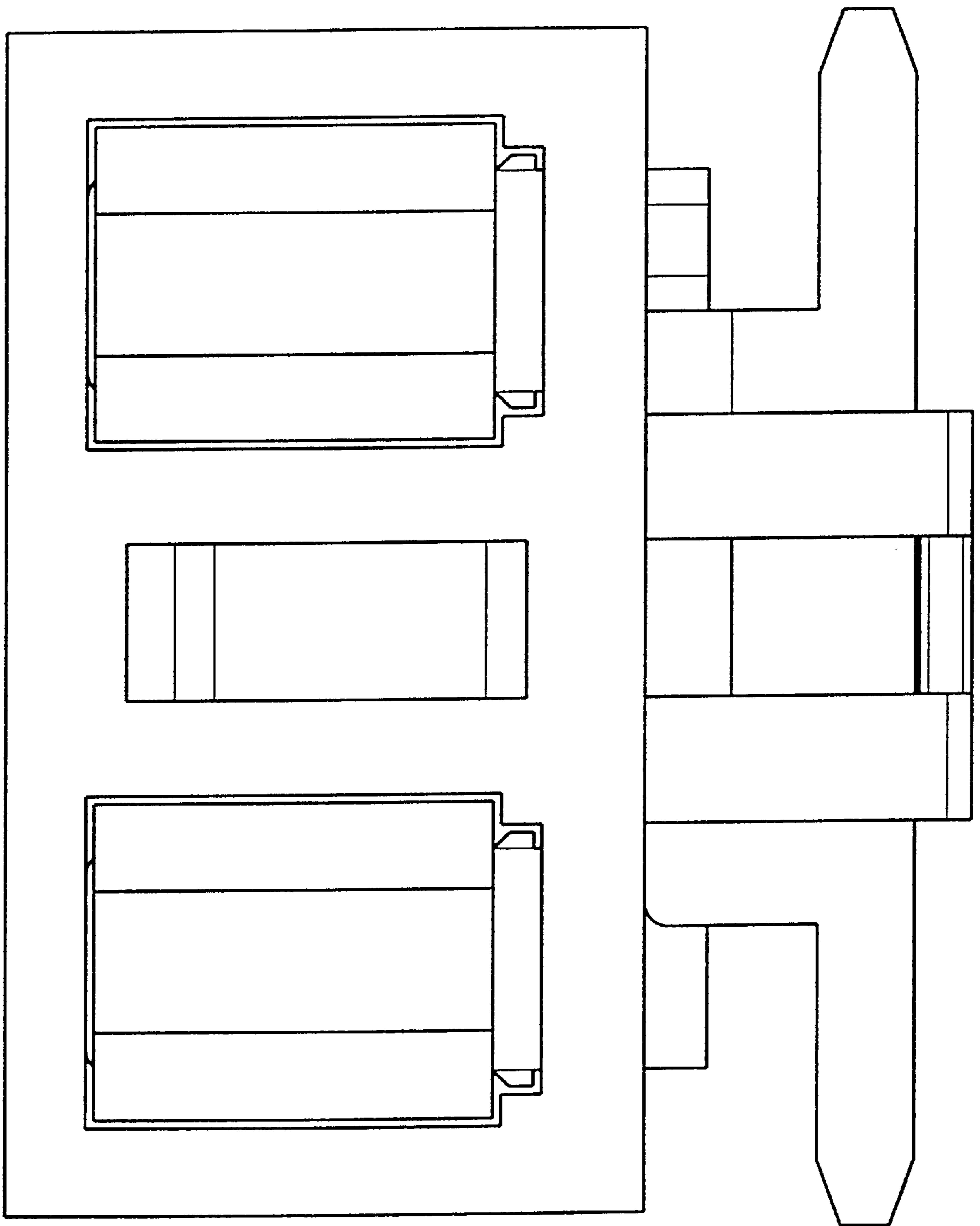


FIG. 2

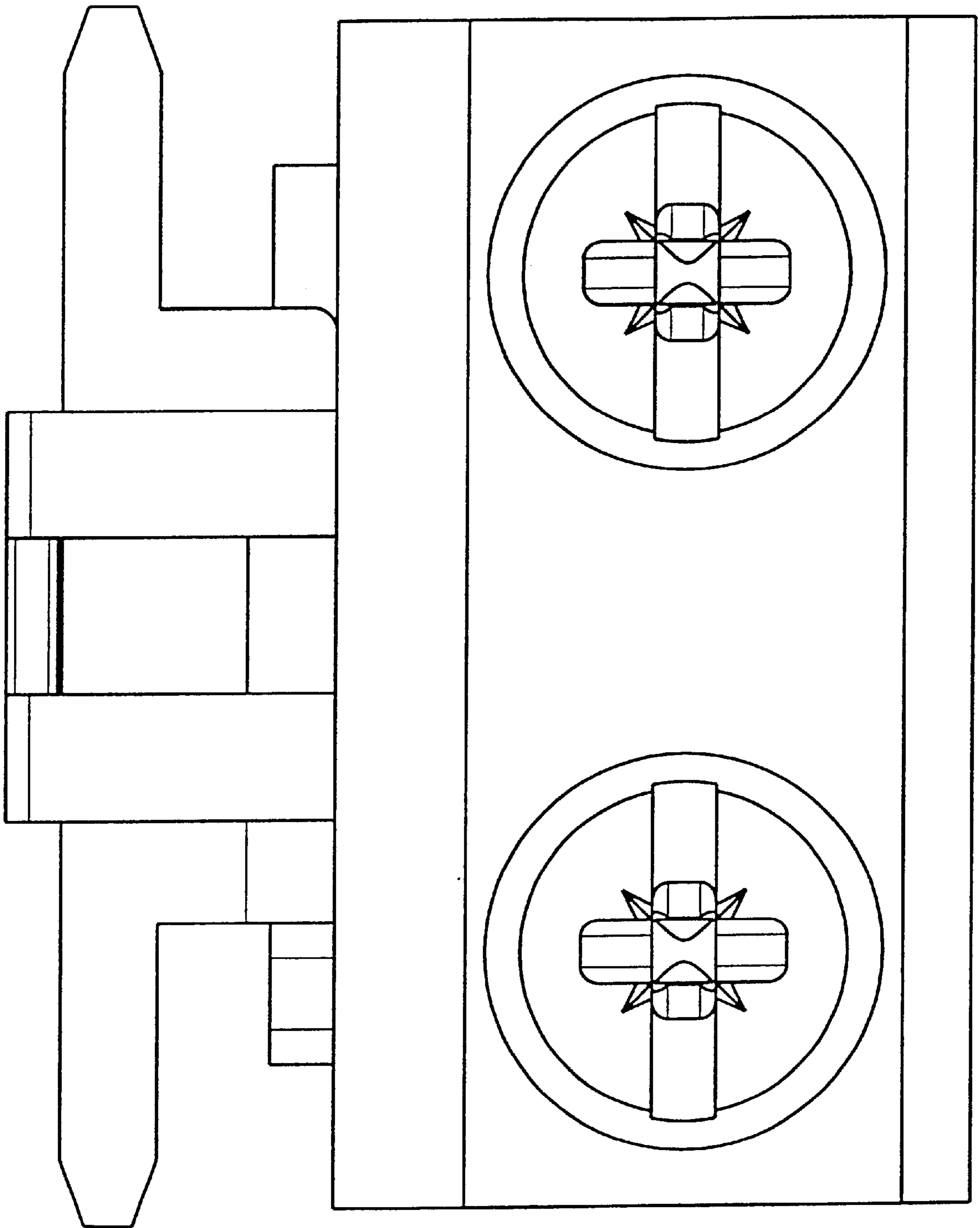


FIG. 3

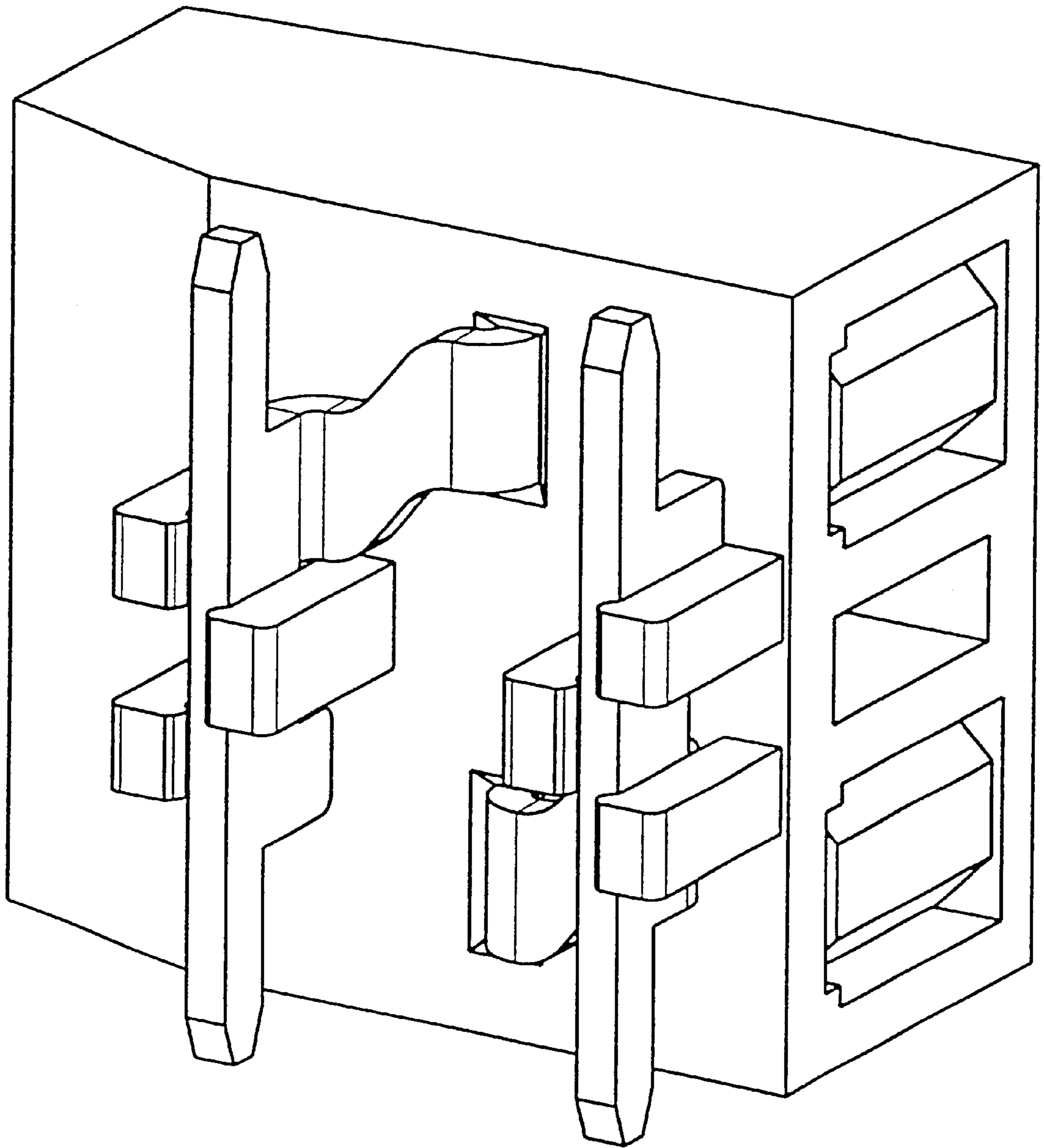


FIG. 4

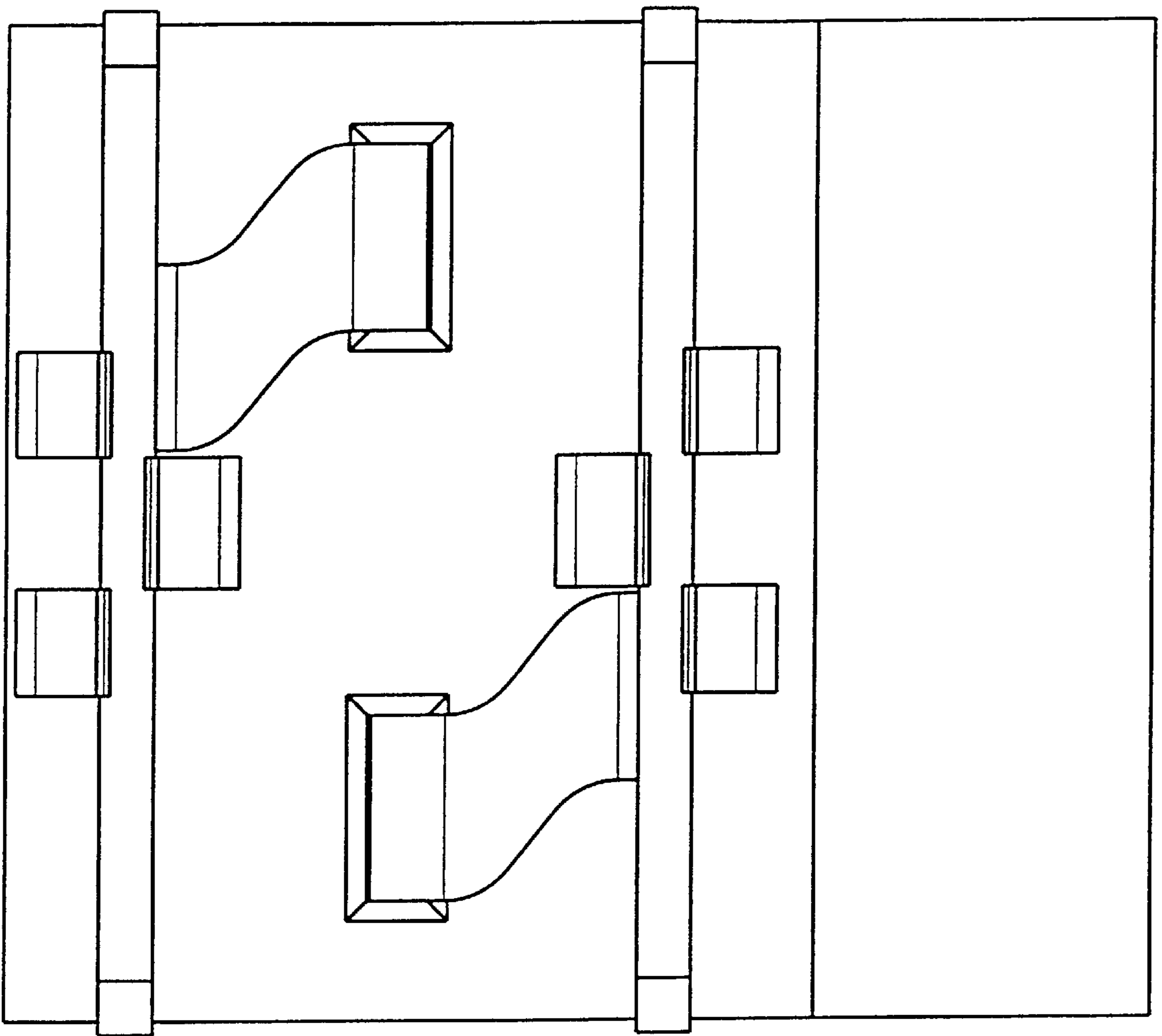


FIG. 5

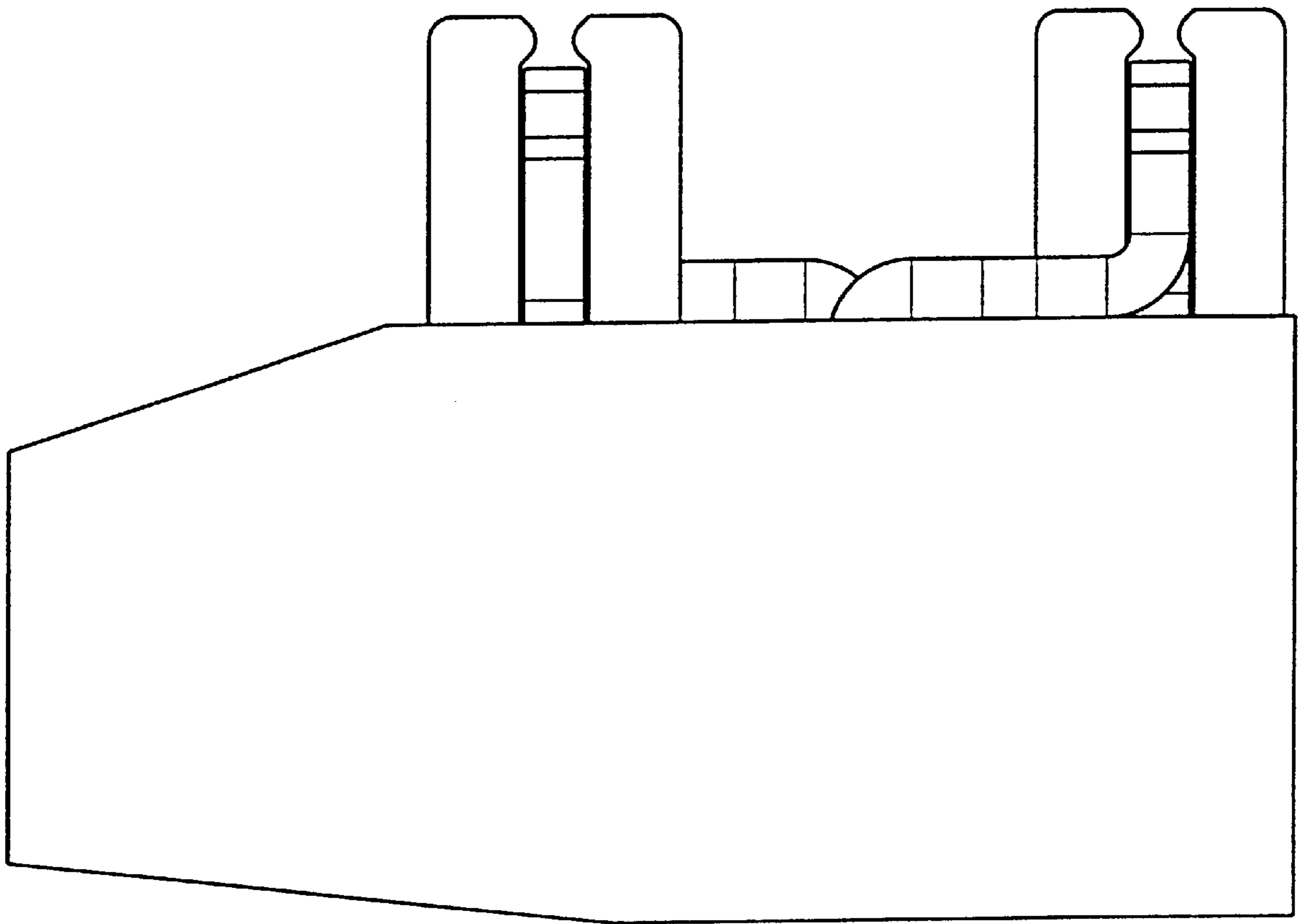


FIG. 6

