



US00D471873S

(12) **United States Design Patent**
Kawase

(10) **Patent No.:** **US D471,873 S**

(45) **Date of Patent:** **** Mar. 18, 2003**

(54) **ELECTRICAL CONNECTOR**

(75) Inventor: **Koji Kawase**, Hachioji (JP)

(73) Assignee: **Japan Aviation Electronics Industry, Limited**, Tokyo (JP)

(**) Term: **14 Years**

(21) Appl. No.: **29/159,464**

(22) Filed: **Apr. 22, 2002**

(51) **LOC (7) Cl.** **13-03**

(52) **U.S. Cl.** **D13/147**

(58) **Field of Search** D13/147; 439/181,
439/495, 637, 74, 83, 910

(56) **References Cited**

U.S. PATENT DOCUMENTS

5,697,799	A	*	12/1997	Consoli et al.	439/181
5,718,592	A	*	2/1998	Hosler, Sr. et al.	439/63
5,746,622	A	*	5/1998	Consoli et al.	439/521
D402,630	S	*	12/1998	Lai et al.	D13/147
5,885,092	A	*	3/1999	Ito et al.	439/74
D409,981	S	*	5/1999	Wu	D13/147
D420,330	S	*	2/2000	Wu et al.	D13/147
D421,420	S	*	3/2000	Wu	D13/147
D427,974	S	*	7/2000	Takase et al.	D13/147
D453,734	S	*	2/2002	Shimoyama et al.	D13/147

D455,125 S * 4/2002 Shimoyama et al. D13/147

* cited by examiner

Primary Examiner—Joel Sincavage

(74) *Attorney, Agent, or Firm*—Michael Best & Friedrich LLC

(57) **CLAIM**

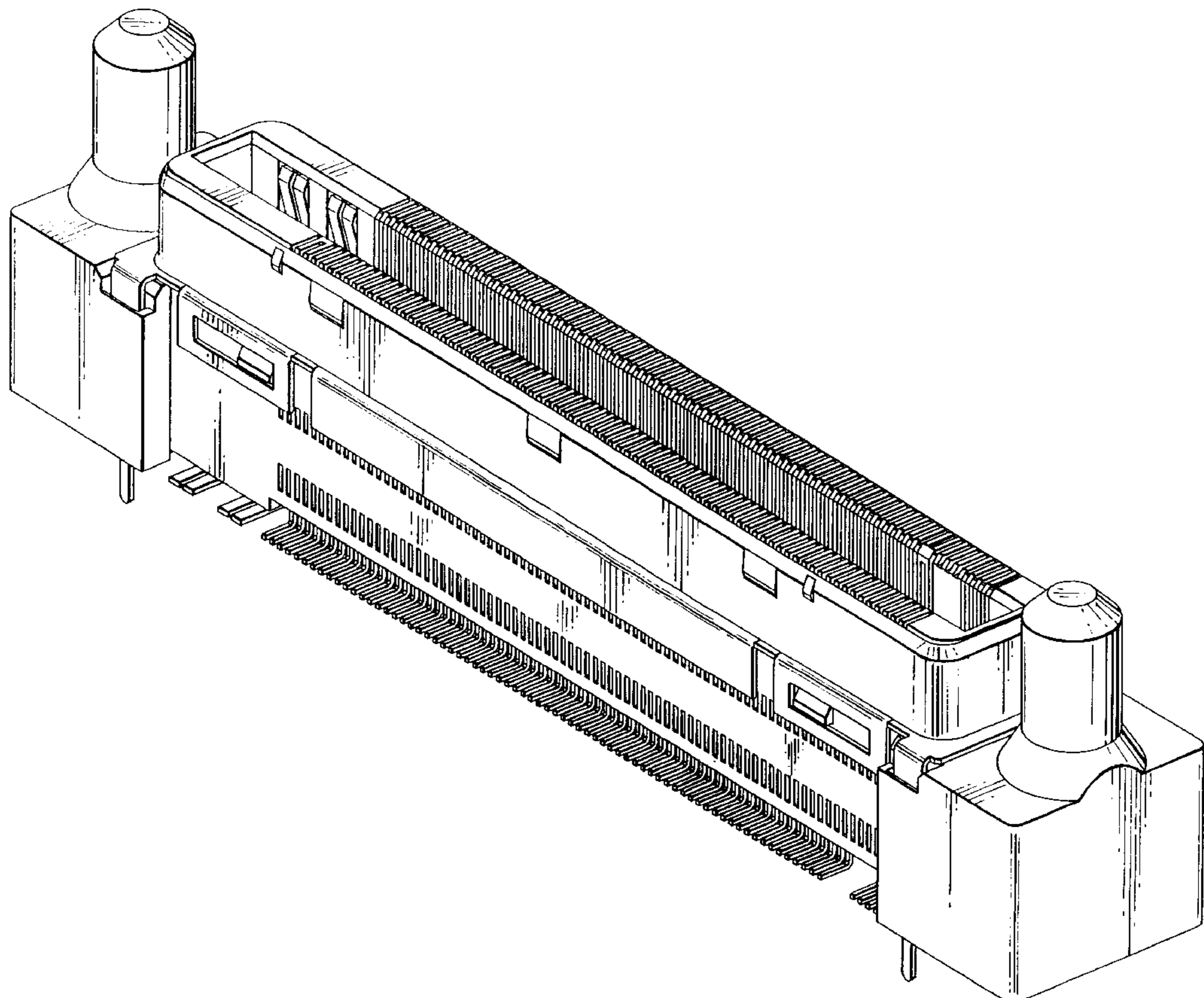
The ornamental design for an electrical connector, as shown and described.

DESCRIPTION

FIG. 1 is a front elevational view of an electrical connector; FIG. 2 is a top plan view thereof; FIG. 3 is a rear elevational view thereof; FIG. 4 is a bottom plan view thereof; FIG. 5 is a right side elevational view thereof; FIG. 6 is a cross-sectional view thereof along the line 6—6 of FIG. 1; FIG. 7 is a cross-sectional view thereof along the line 7—7 of FIG. 1; and, FIG. 8 is a perspective view of the front and right side thereof.

A left side elevational view of the electrical connector is omitted because it is presented symmetrical to the right side elevational view of FIG. 5.

1 Claim, 6 Drawing Sheets



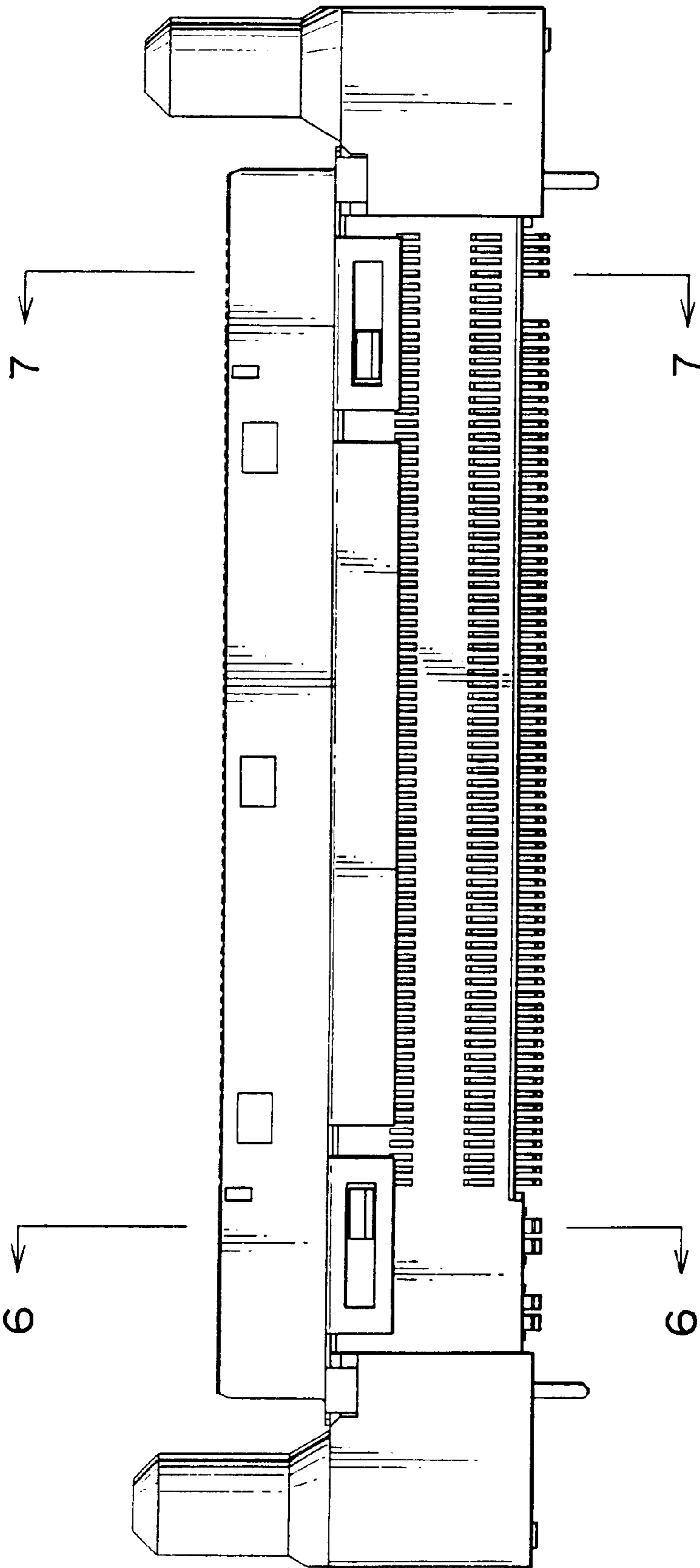


FIG. 1

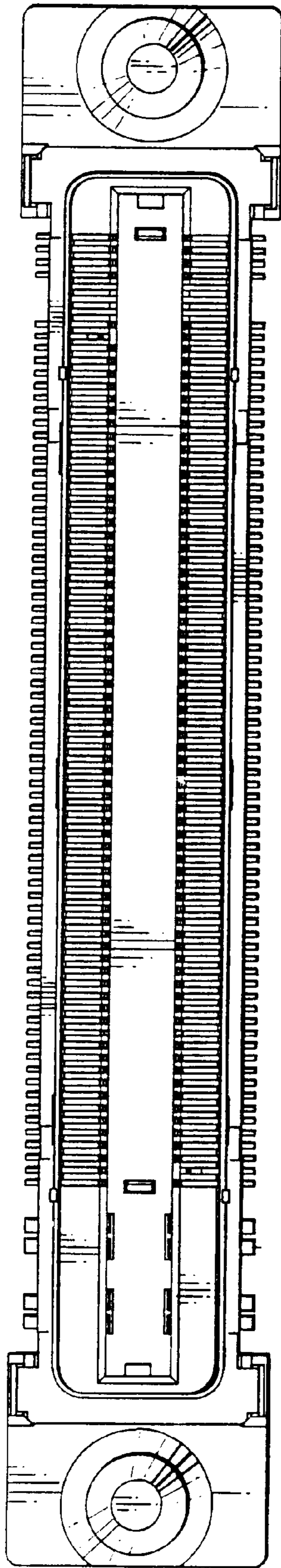


FIG. 2

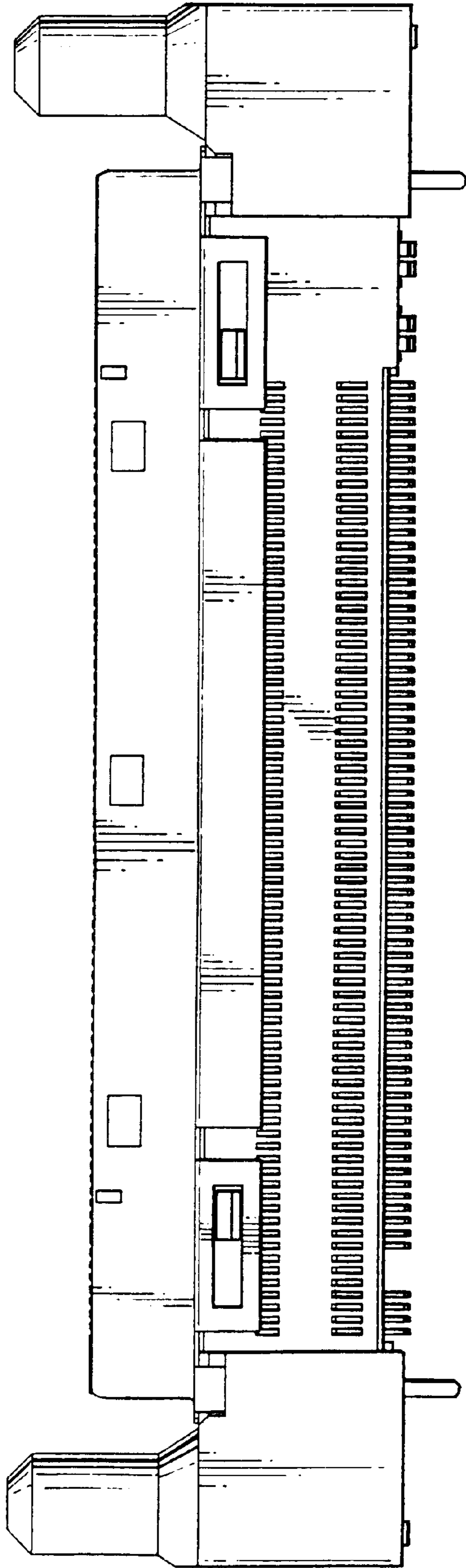


FIG. 3

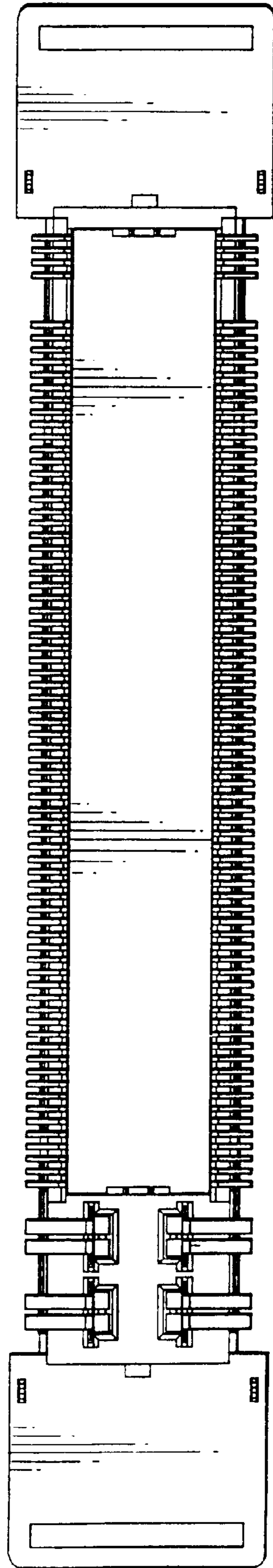


FIG. 4

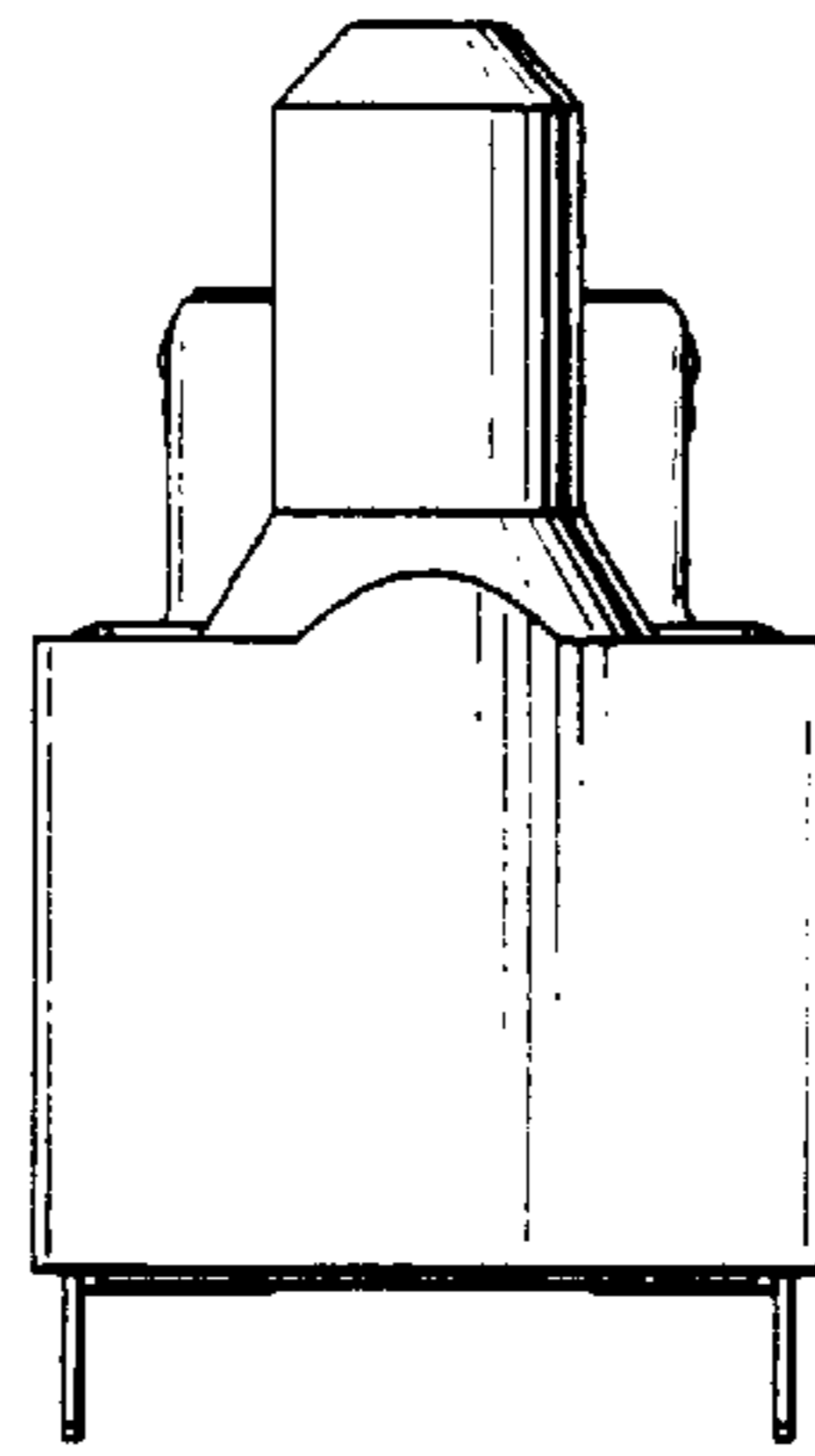


FIG. 5

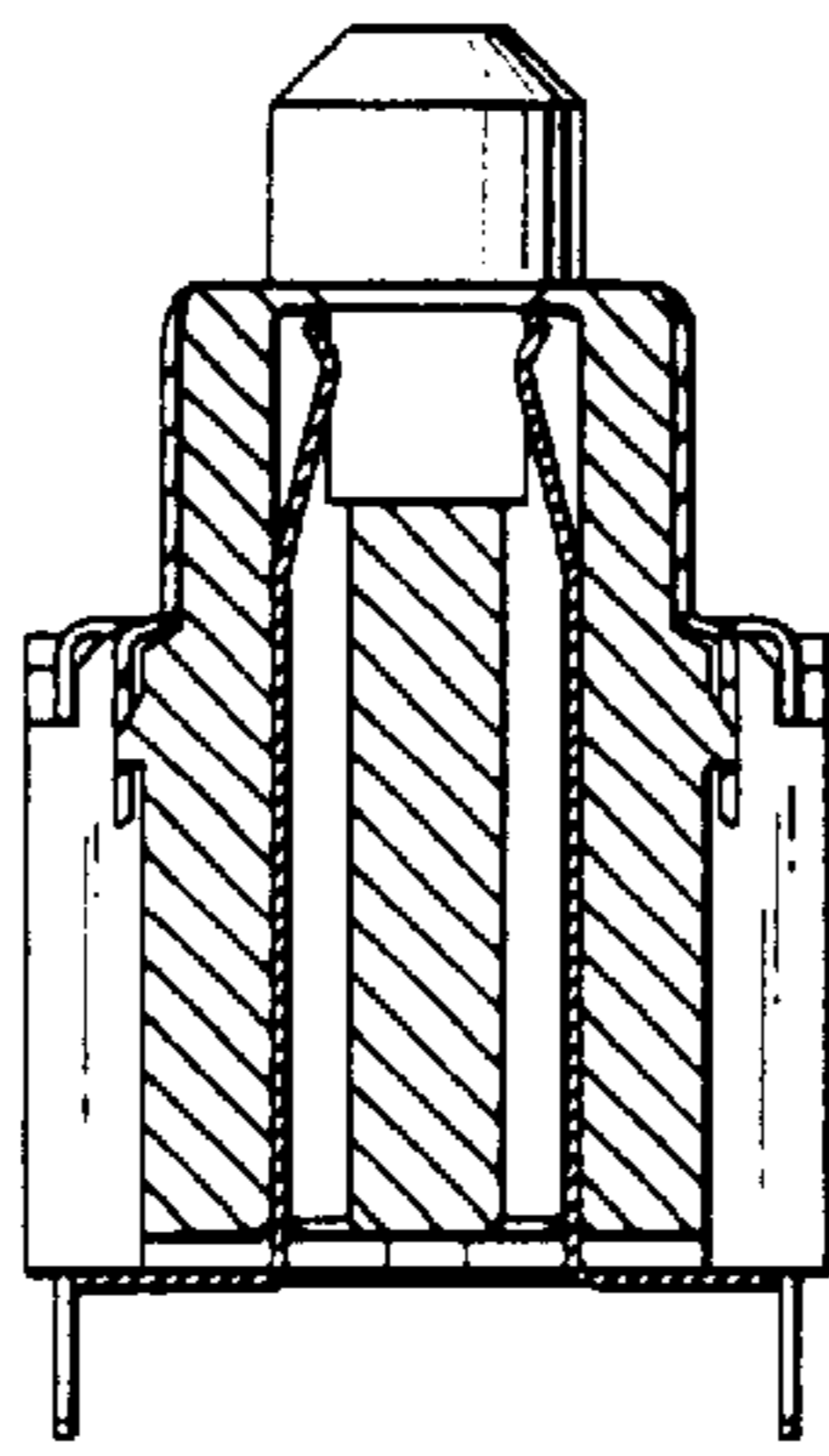


FIG. 6

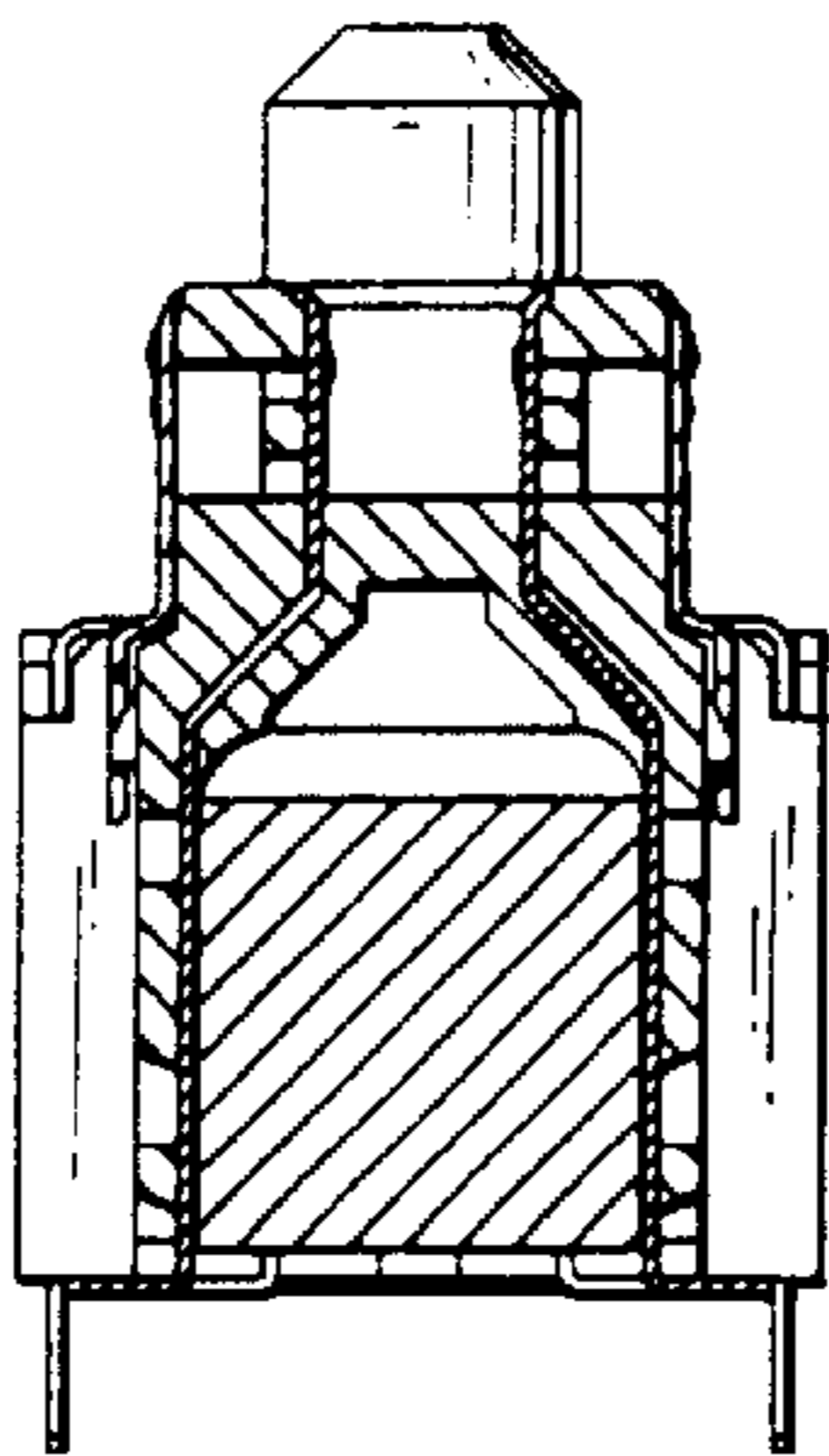


FIG. 7

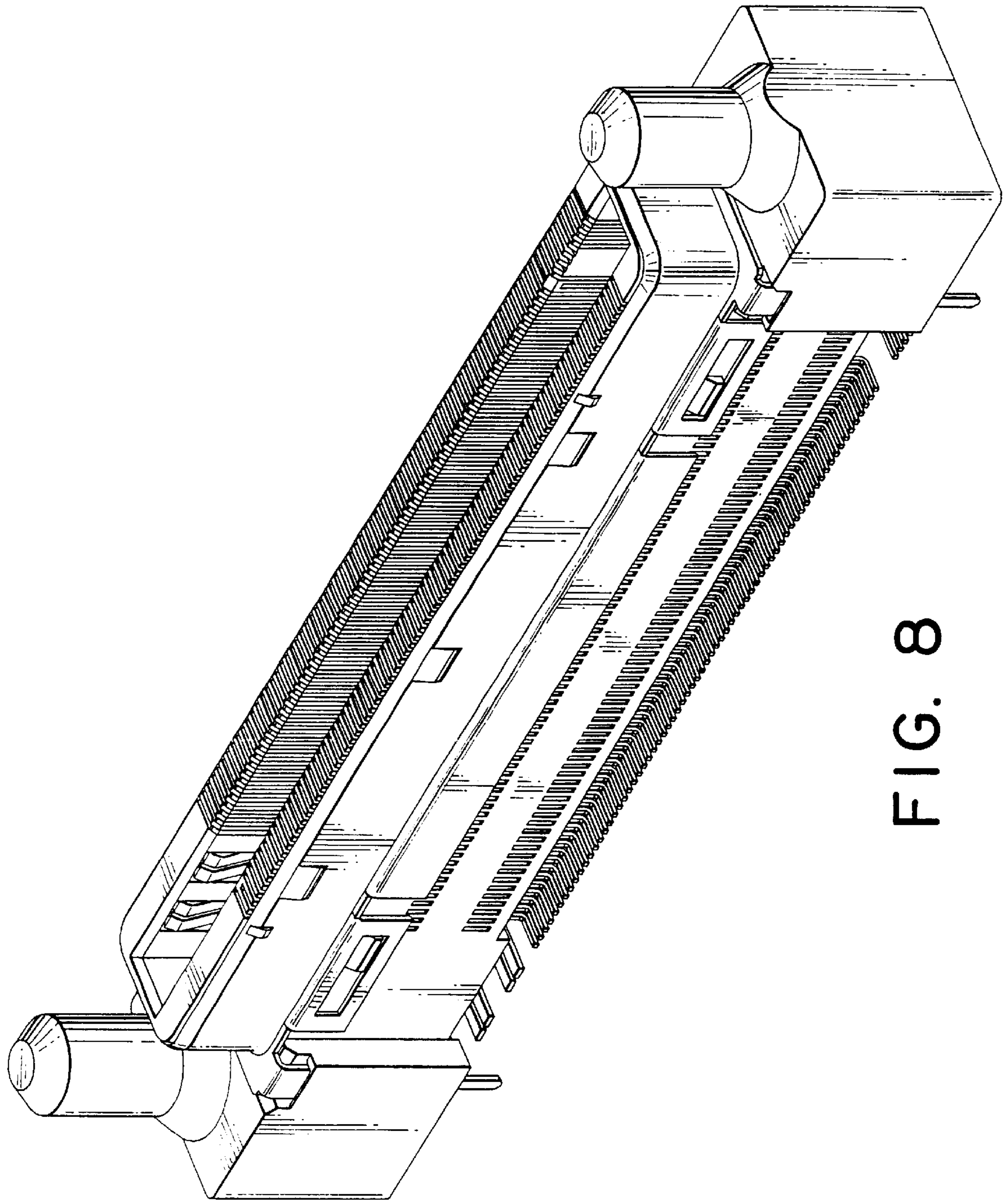


FIG. 8