



US00D471872S

(12) **United States Design Patent**  
**Kawase**

(10) **Patent No.:** **US D471,872 S**

(45) **Date of Patent:** **\*\* Mar. 18, 2003**

(54) **ELECTRICAL CONNECTOR**

(75) Inventor: **Koji Kawase**, Hachioji (JP)

(73) Assignee: **Japan Aviation Electronics Industry, Limited**, Tokyo (JP)

(\*\*) Term: **14 Years**

(21) Appl. No.: **29/159,449**

(22) Filed: **Apr. 22, 2002**

(30) **Foreign Application Priority Data**

Oct. 26, 2001 (JP) ..... 2001-035453

(51) **LOC (7) Cl.** ..... **13-03**

(52) **U.S. Cl.** ..... **D13/147**

(58) **Field of Search** ..... D13/147; 439/181,  
439/495, 637, 74, 83, 910

(56) **References Cited**

**U.S. PATENT DOCUMENTS**

- 5,697,799 A \* 12/1997 Consoli et al. .... 439/181
- 5,718,592 A \* 2/1998 Hosler, Sr. et al. .... 439/83 X
- 5,813,871 A \* 9/1998 Grabbe et al. .... 439/108
- 5,836,773 A \* 11/1998 McHugh et al. .... 439/74
- 5,885,092 A \* 3/1999 Ito et al. .... 439/74
- D411,172 S \* 6/1999 Wu ..... D13/147
- 5,961,347 A \* 10/1999 Hsu ..... 439/83 X
- D419,960 S \* 2/2000 Wu ..... D13/147

- D420,981 S \* 2/2000 Wu ..... D13/147
- D451,884 S \* 12/2001 Hisatomi et al. .... D13/147
- 6,338,630 B1 \* 1/2002 Dong ..... 439/74

\* cited by examiner

*Primary Examiner*—Joel Sincavage

(74) *Attorney, Agent, or Firm*—Michael Best & Friedrich LLC

(57) **CLAIM**

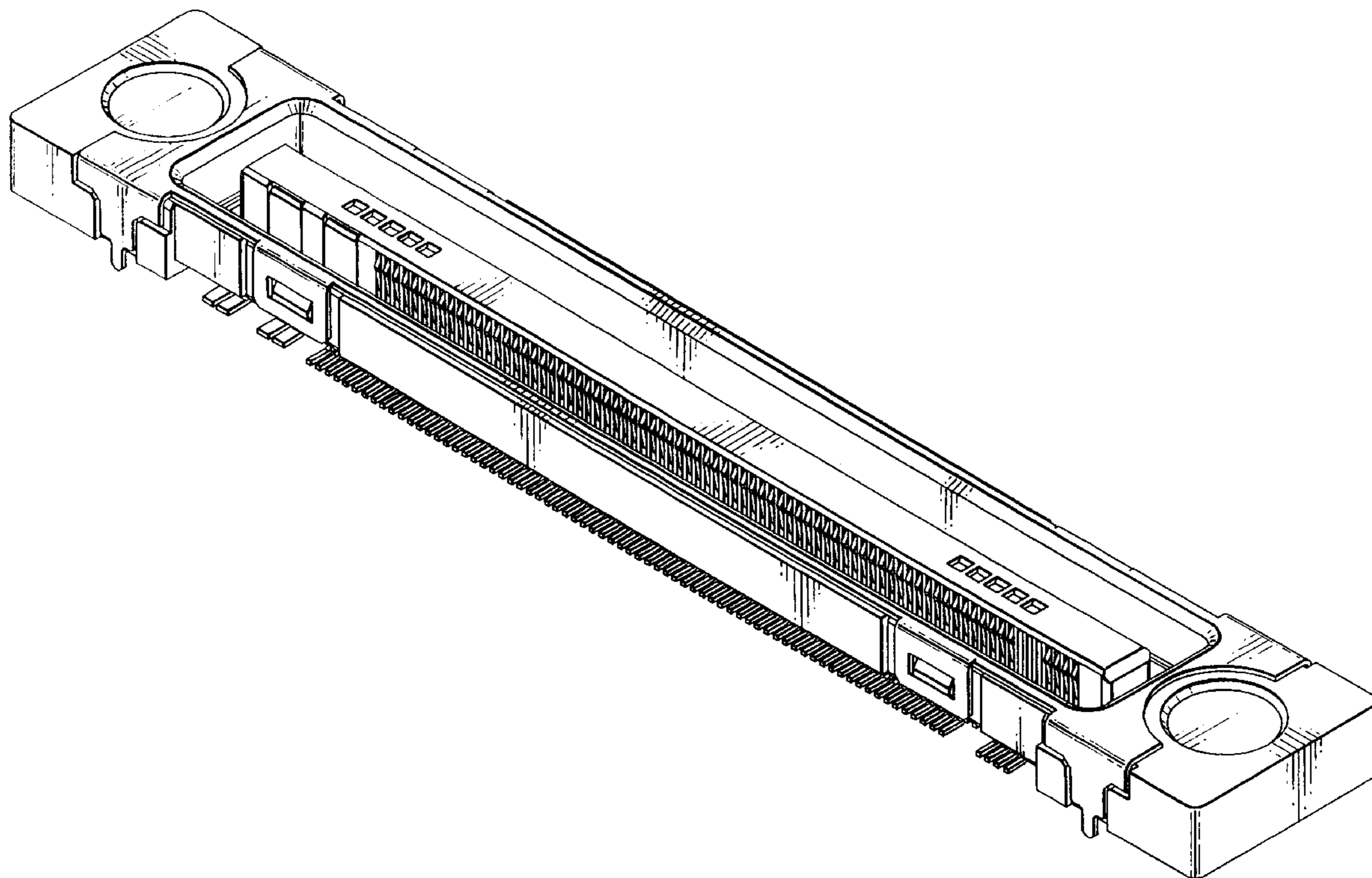
The ornamental design for an electrical connector, as shown and described.

**DESCRIPTION**

FIG. 1 is a front elevational view of an electrical connector; FIG. 2 is a rear elevational view thereof; FIG. 3 is a right side elevational view thereof; FIG. 4 is an enlarged cross-sectional view thereof along the line 4—4 of FIG. 1; FIG. 5 is an enlarged cross-sectional view thereof along the line 5—5 of FIG. 1; FIG. 6 is a top plan view thereof; FIG. 7 is a bottom plan view thereof; and, FIG. 8 is a perspective view of the front and right side thereof.

A left side elevational view of the electrical connector is omitted because it is presented symmetrical to the right side elevational view of FIG. 3.

**1 Claim, 6 Drawing Sheets**



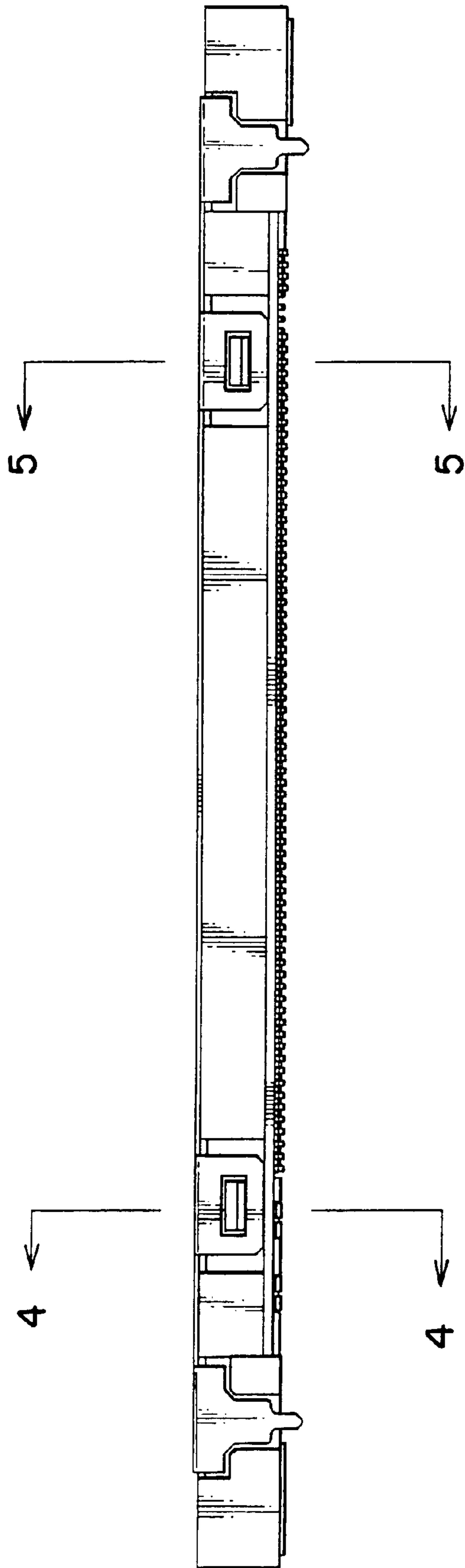


FIG. 1

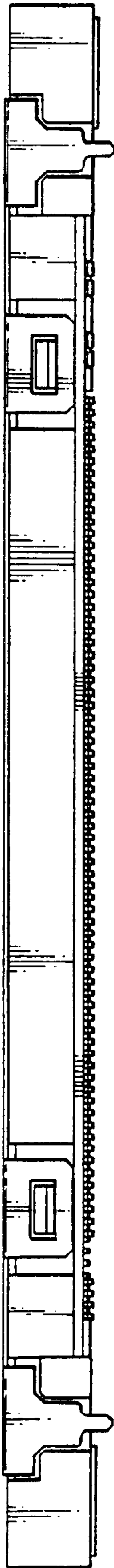


FIG. 2



FIG. 3

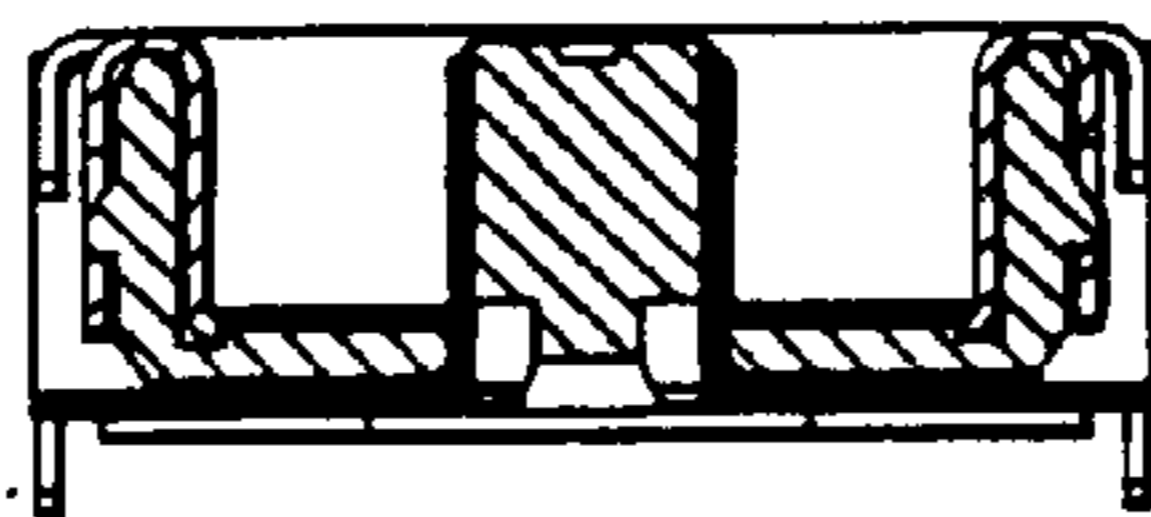


FIG. 4

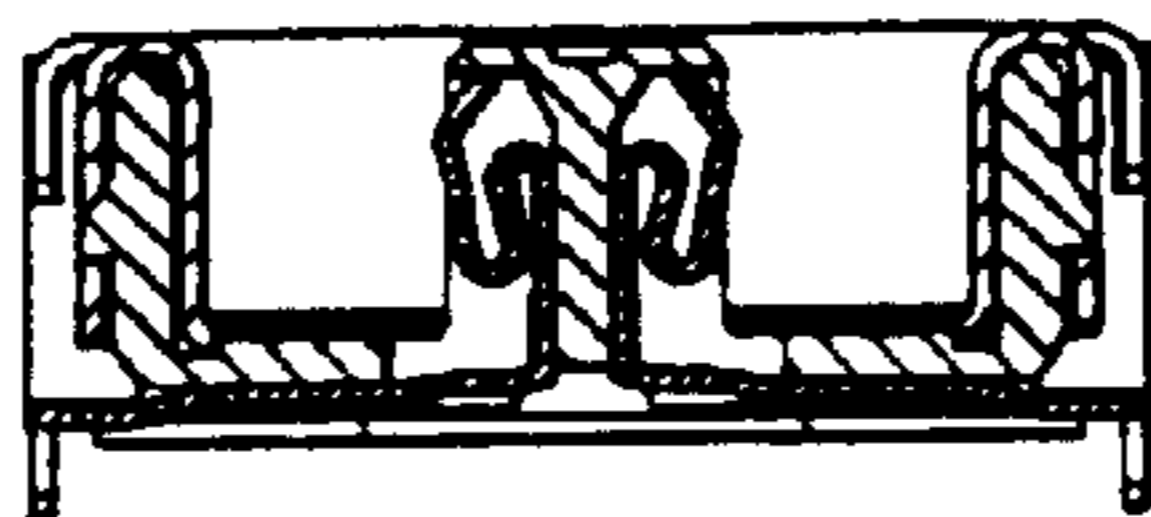


FIG. 5

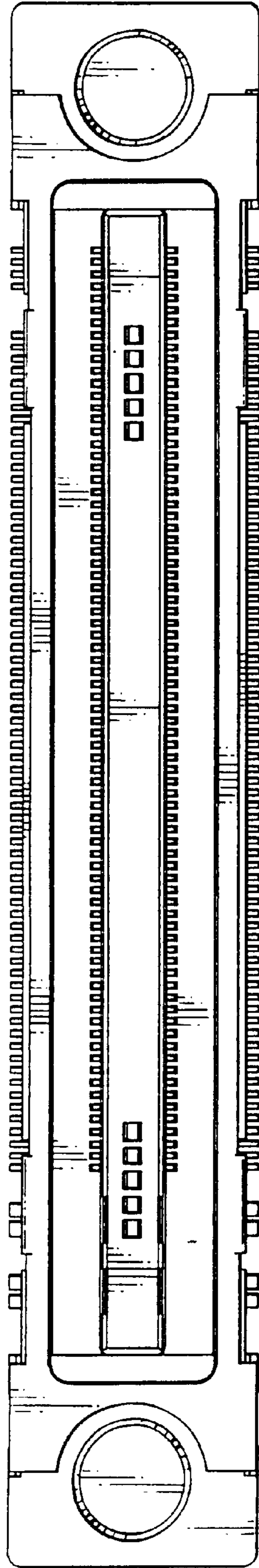


FIG. 6

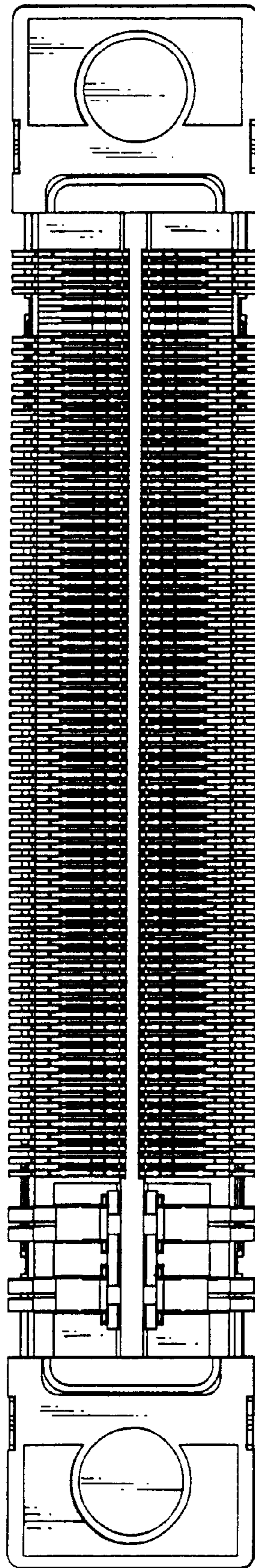


FIG. 7

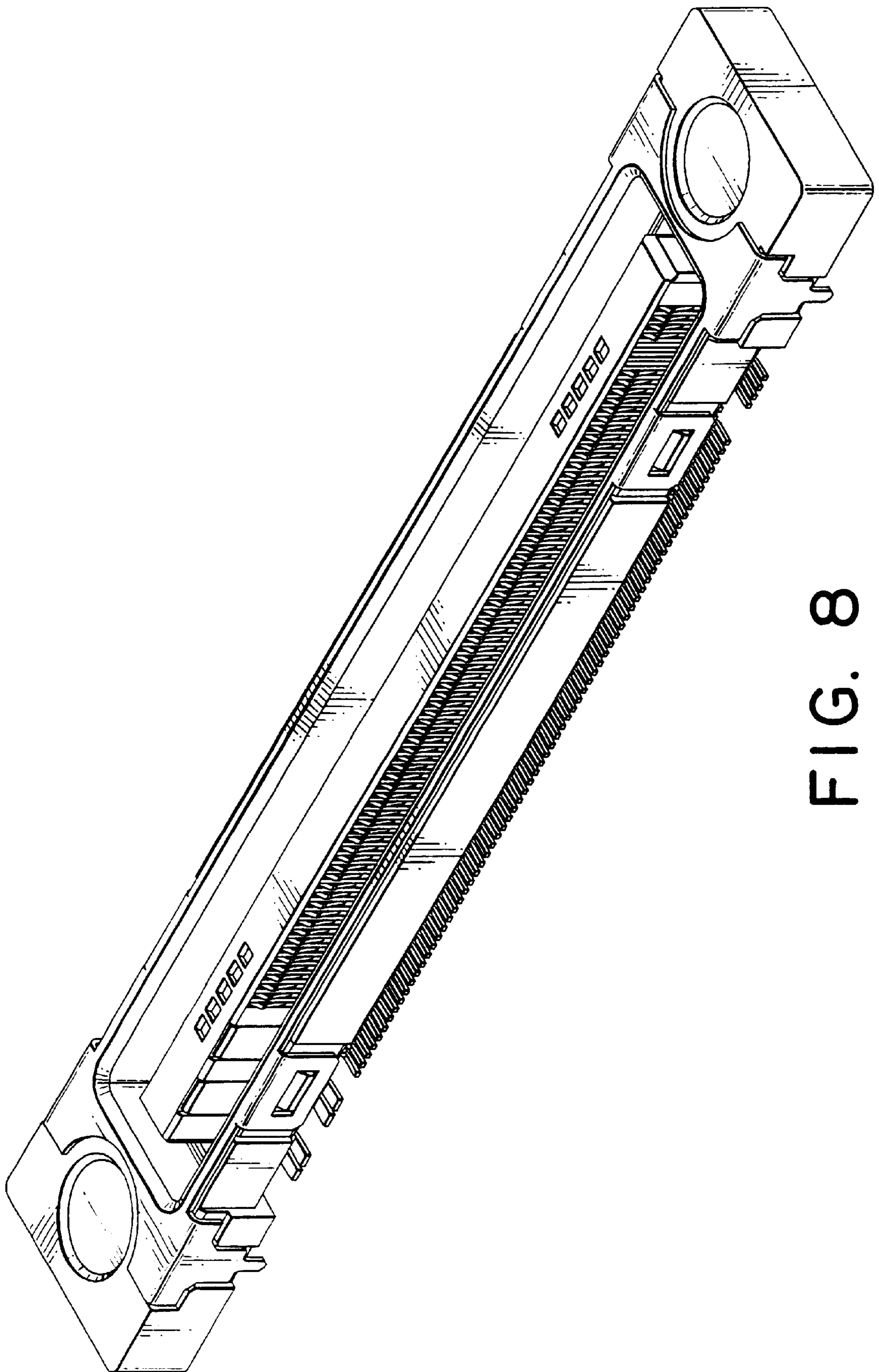


FIG. 8