



US00D471871S

(12) **United States Design Patent**  
**Fetherolf et al.**

(10) **Patent No.:** **US D471,871 S**

(45) **Date of Patent:** **\*\* Mar. 18, 2003**

(54) **INTERFACE CABLE CONNECTOR**

(75) Inventors: **Will Fetherolf**, Boise, ID (US); **Dean Richtsmeier**, Boise, ID (US)

(73) Assignee: **Hewlett-Packard Company**, Palo Alto, CA (US)

(\*\*) Term: **14 Years**

(21) Appl. No.: **29/156,382**

(22) Filed: **Feb. 27, 2002**

(51) **LOC (7) Cl.** ..... **13-03**

(52) **U.S. Cl.** ..... **D13/147**

(58) **Field of Search** ..... D13/147; D14/433;  
439/359, 362, 372, 610

(56) **References Cited**

**U.S. PATENT DOCUMENTS**

4,861,276	A	*	8/1989	Muller et al.	.....	439/362	X
5,098,312	A	*	3/1992	Raczynski	.....	439/362	
D338,193	S	*	8/1993	Sasaki	.....	D13/147	X
D358,395	S	*	5/1995	Heidorn et al.	.....	D14/242	
D366,480	S	*	1/1996	Shimizu	.....	D14/242	
D382,857	S	*	8/1997	Chen et al.	.....	D13/147	

D392,627 S \* 3/1998 Kondo ..... D14/434

5,833,494 A \* 11/1998 Diaz ..... 439/573

D408,384 S \* 4/1999 Hata et al. .... D14/433

5,920,459 A \* 7/1999 Weber et al. .... 439/362 X

6,059,599 A \* 5/2000 Huang ..... 439/362

\* cited by examiner

*Primary Examiner*—Joel Sincavage

(57) **CLAIM**

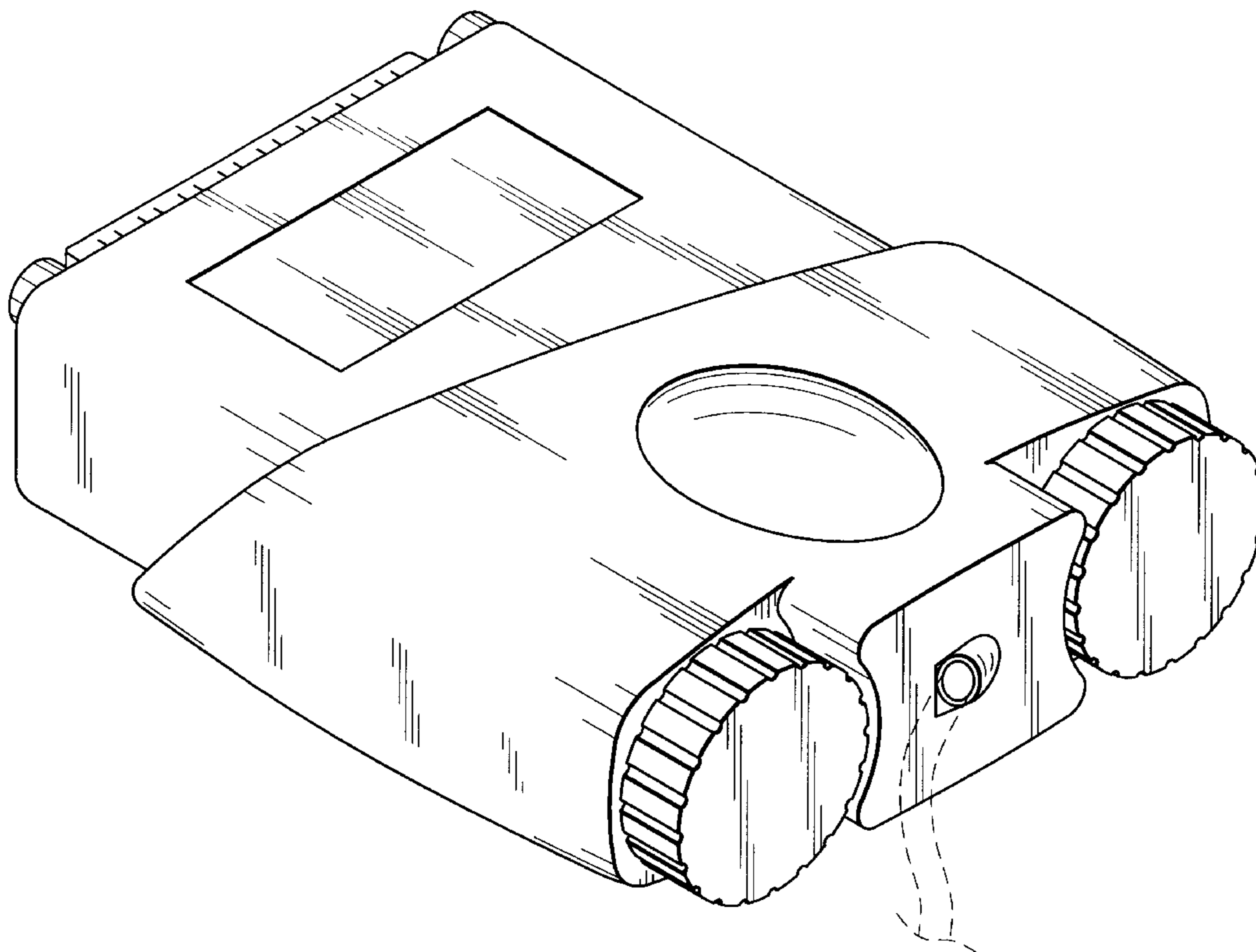
The ornamental design for an interface cable connector, as shown and described.

**DESCRIPTION**

FIG. 1 is a left-front perspective view of an interface cable connector showing the new design; FIG. 2 is a top view thereof; FIG. 3 is a bottom view thereof; FIG. 4 is a left side view thereof; FIG. 5 is a right side view thereof; FIG. 6 is a front view thereof; and, FIG. 7 is a rear view thereof.

The broken lines showing in FIGS. 1-7 are for illustrative purposes only and form no part of the claimed design.

**1 Claim, 4 Drawing Sheets**



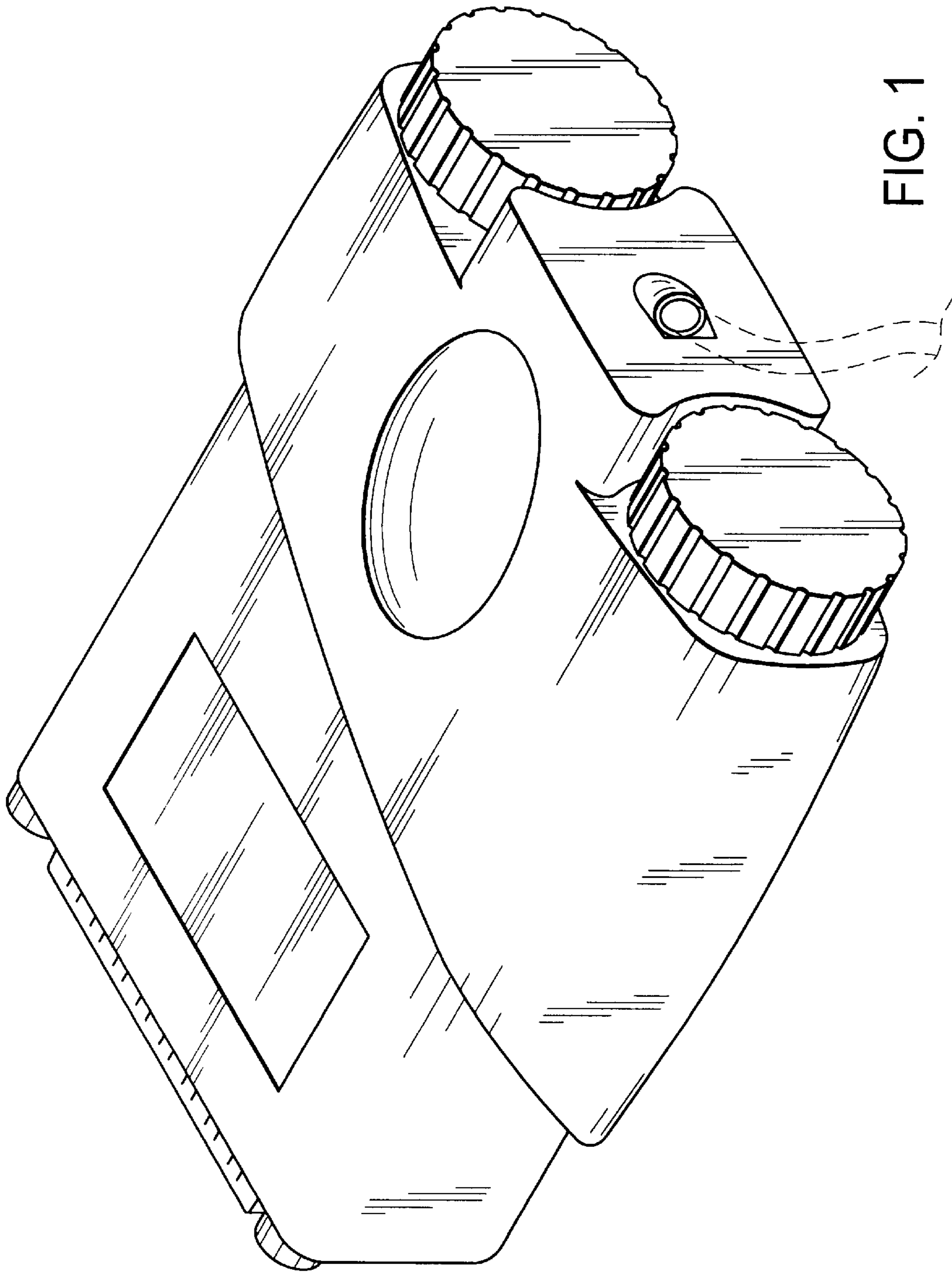


FIG. 1

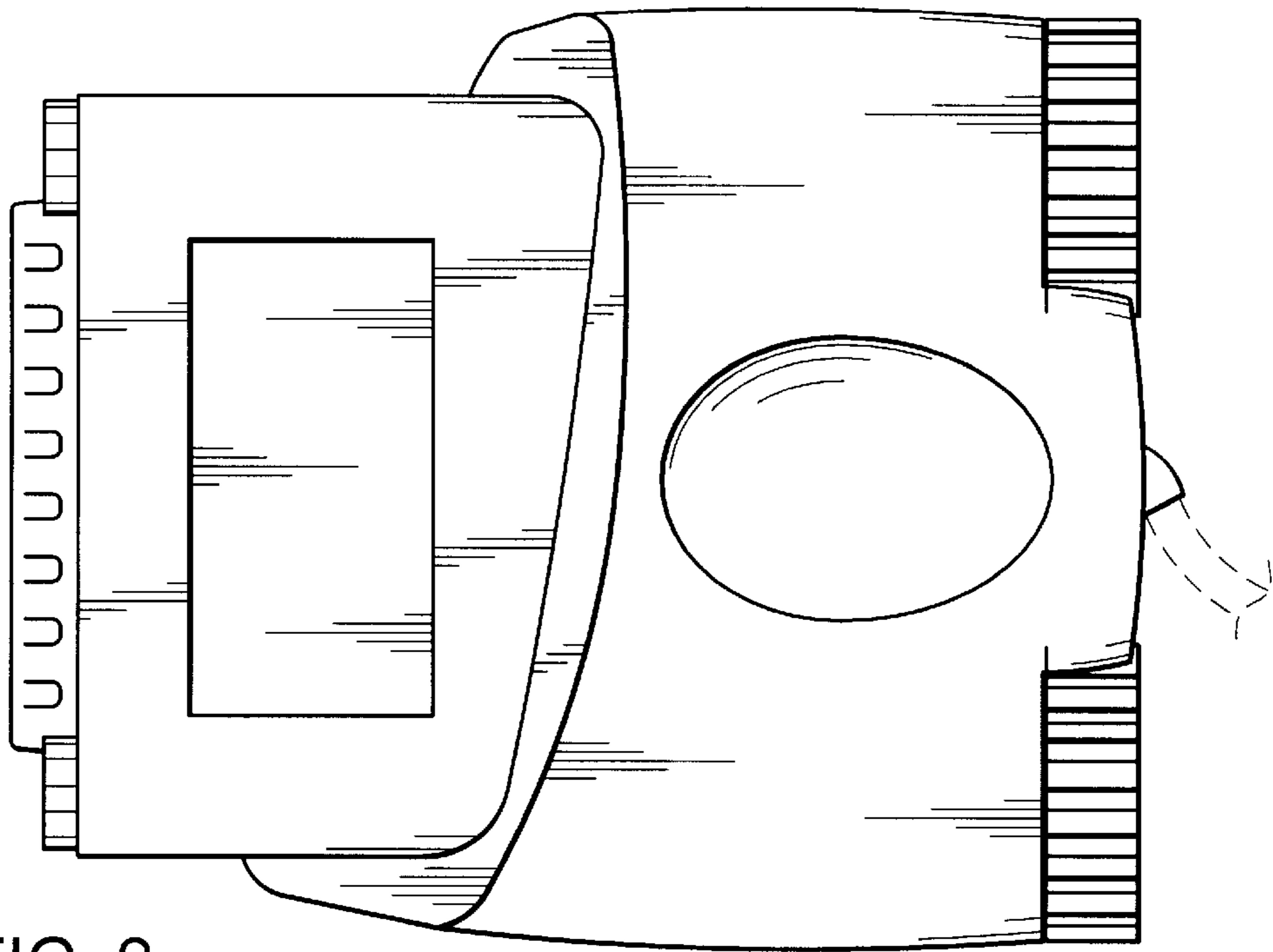


FIG. 2

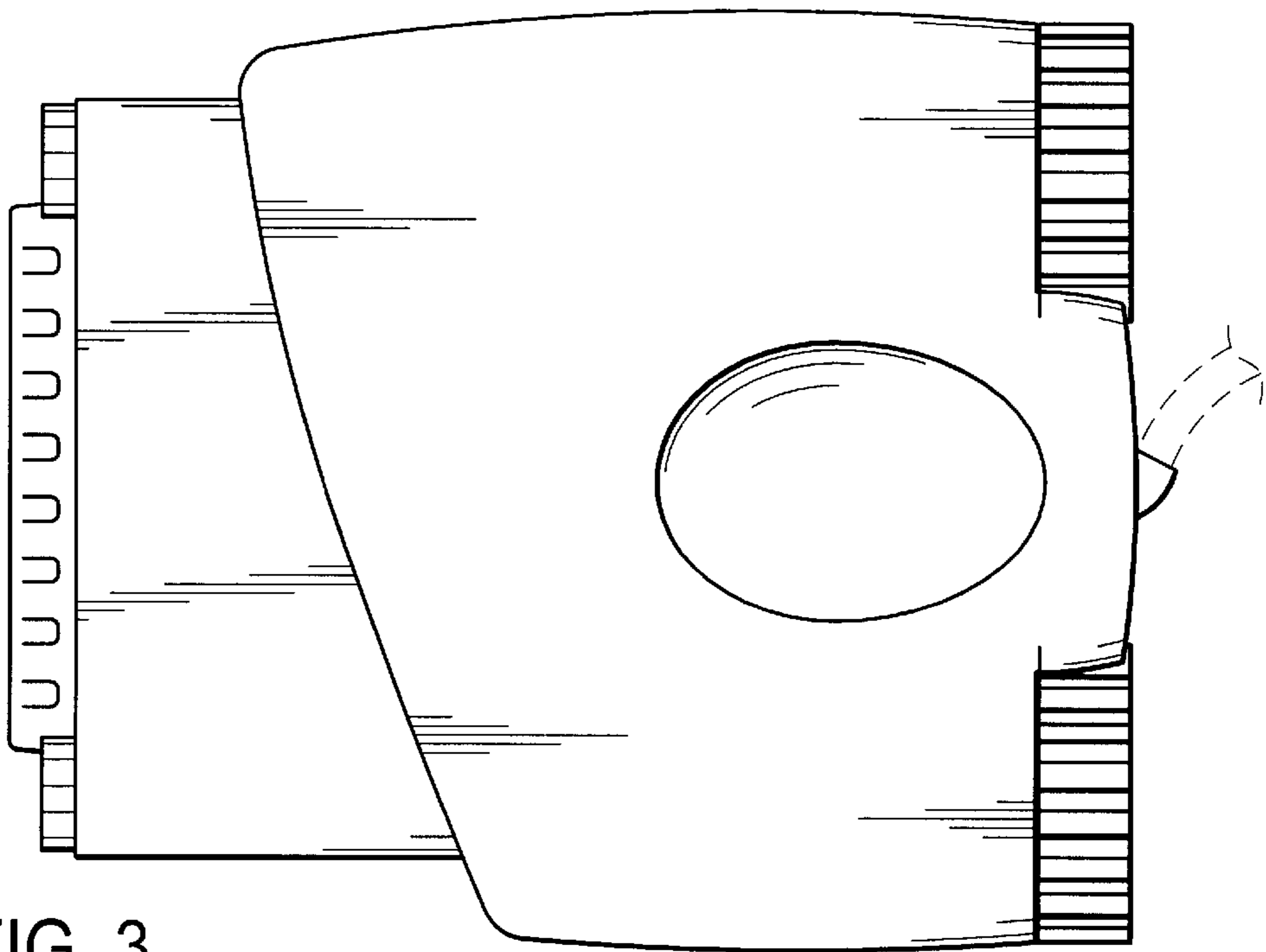


FIG. 3

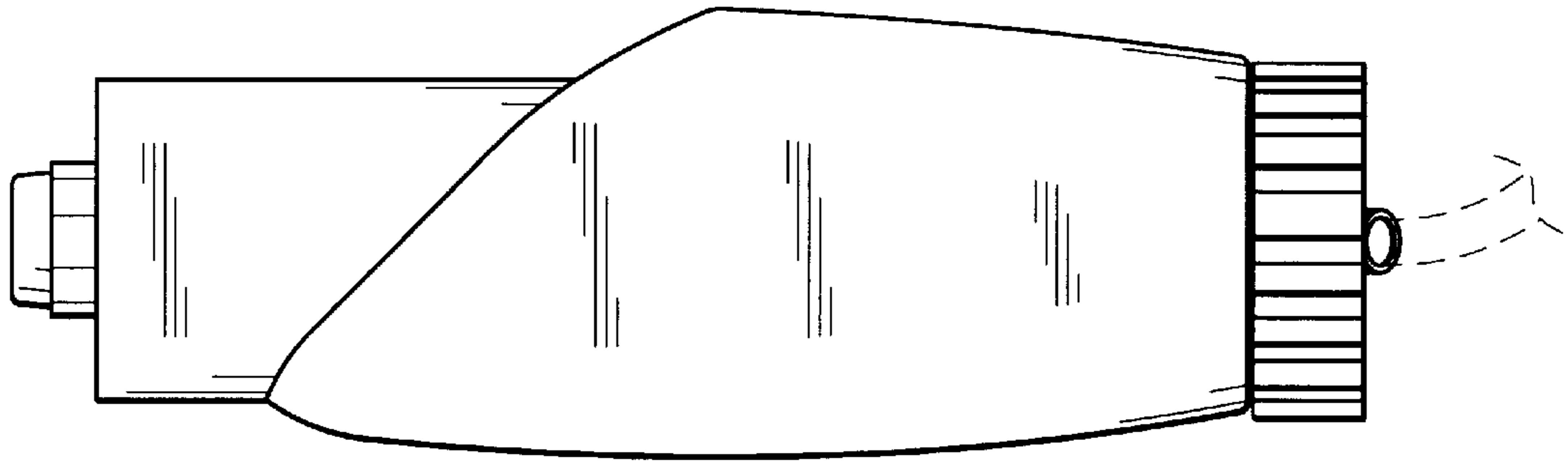


FIG. 4

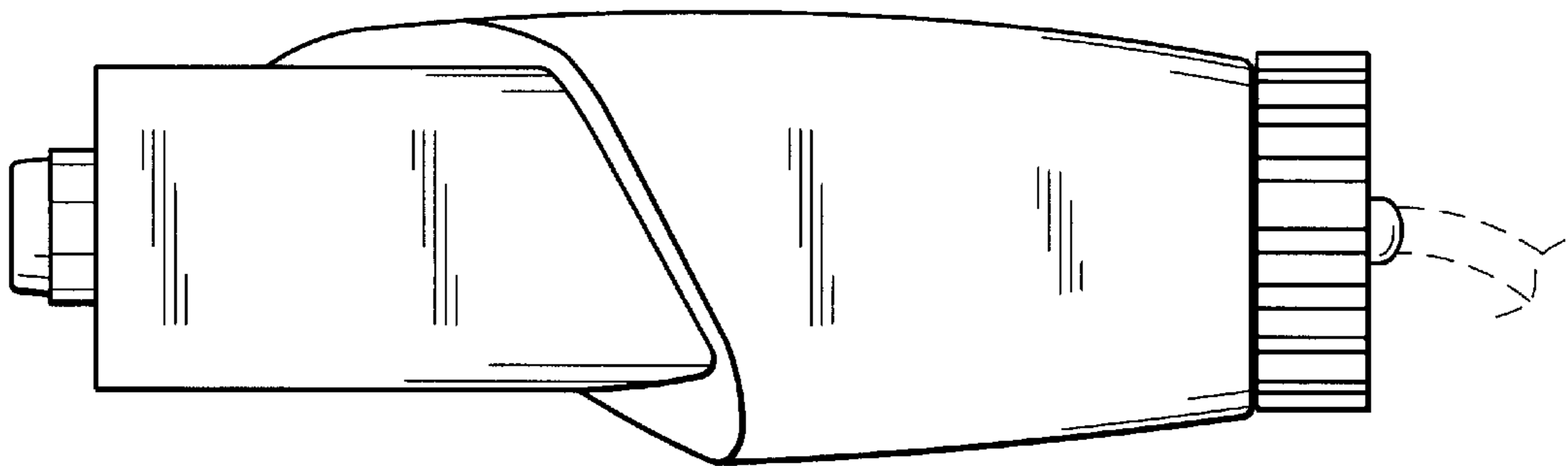


FIG. 5

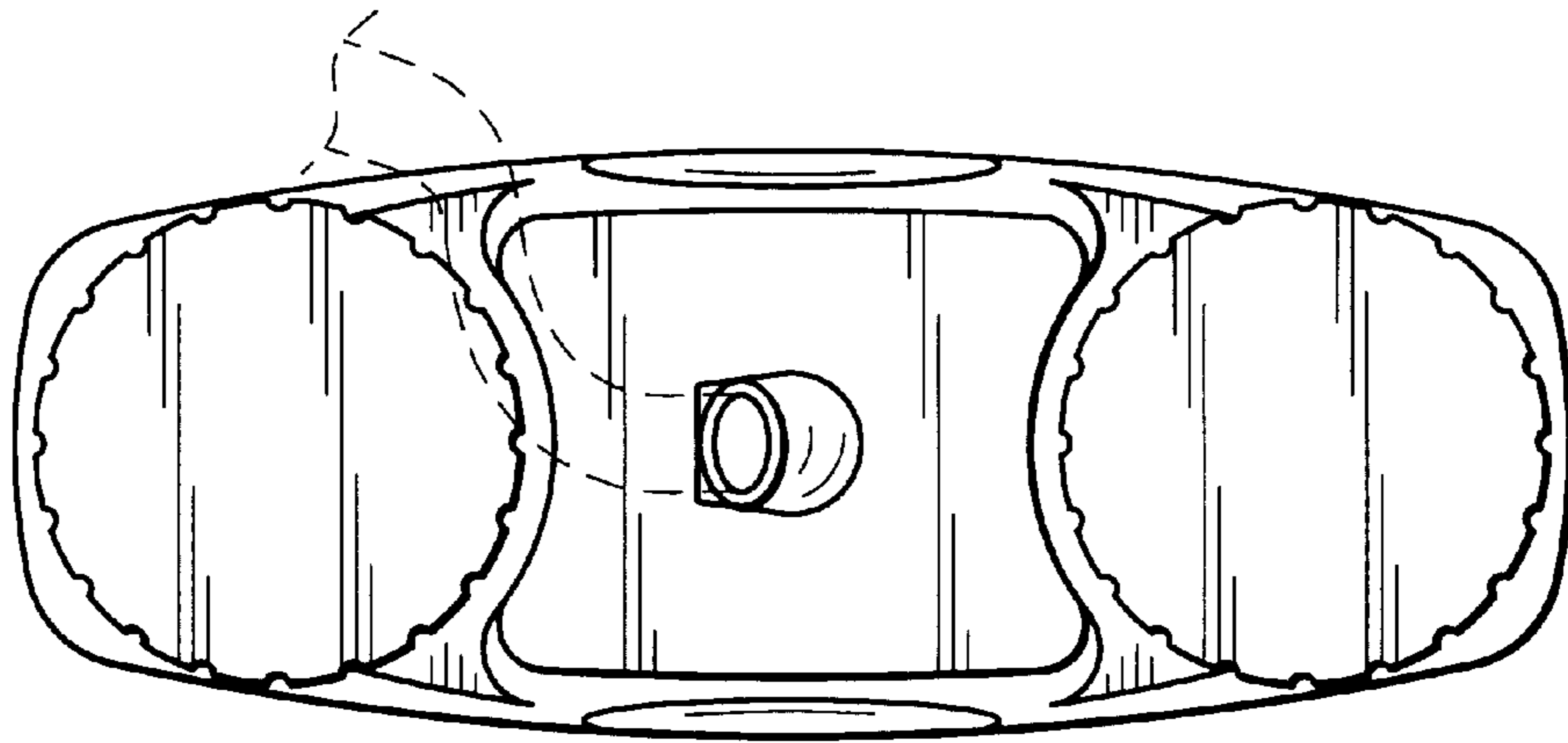


FIG. 6

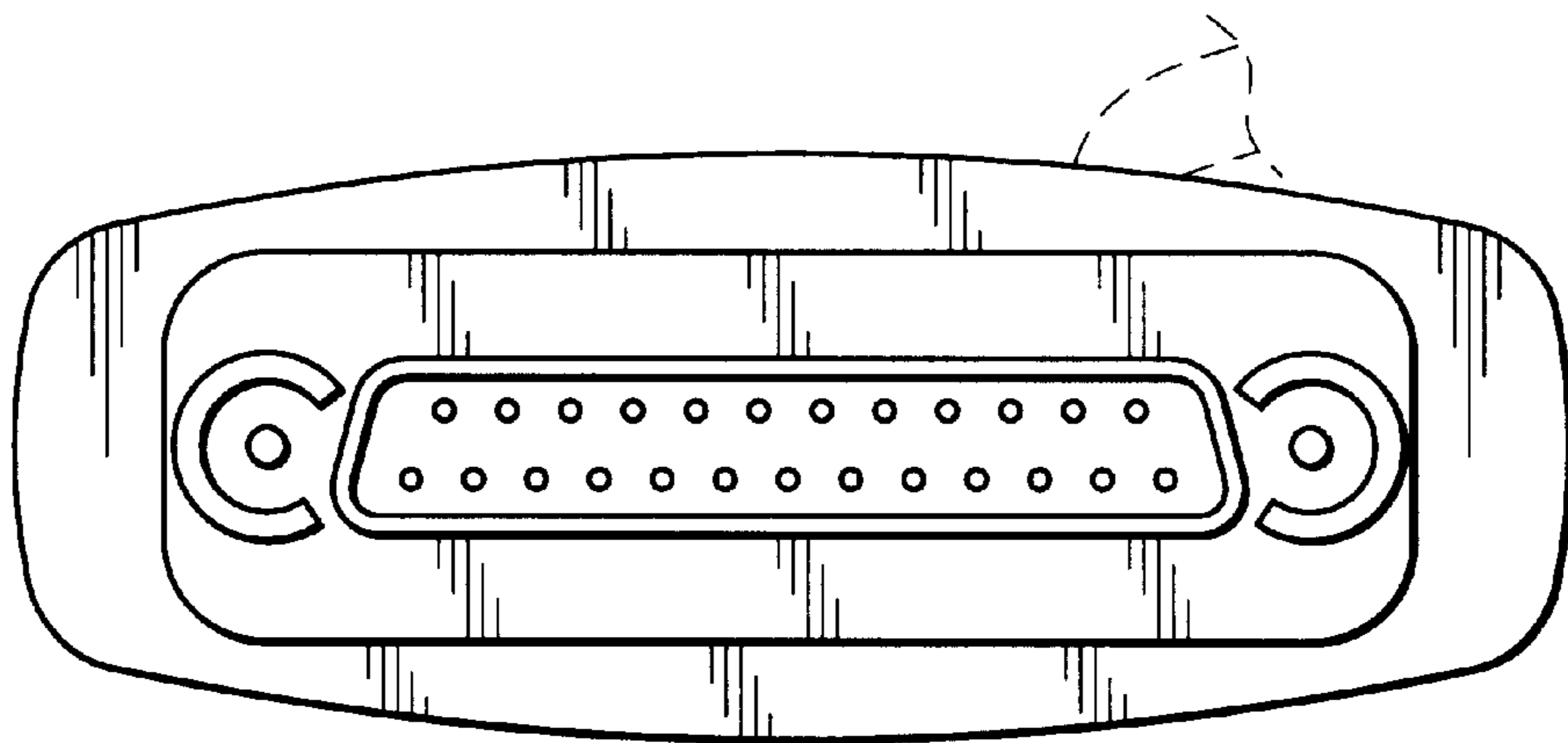


FIG. 7