



US00D471870S

(12) **United States Design Patent** (10) **Patent No.:** **US D471,870 S**
Lee (45) **Date of Patent:** **** Mar. 18, 2003**

(54) **SCART CONNECTOR**
(75) Inventor: **Kendrew Lee**, Fremont, CA (US)
(73) Assignee: **Monster Cable Products, Inc.**,
Brisbane, CA (US)
(**) Term: **14 Years**

Primary Examiner—Joel Sincavage
(74) *Attorney, Agent, or Firm*—LaRiviere, Grubman & Payne, LLP

(21) Appl. No.: **29/156,010**
(22) Filed: **Feb. 21, 2002**

(57) **CLAIM**
The ornamental design for a scart connector, as shown and described.

(51) **LOC (7) Cl.** **13-03**
(52) **U.S. Cl.** **D13/147**
(58) **Field of Search** D13/146, 147;
439/582, 844, 854, 855, 902

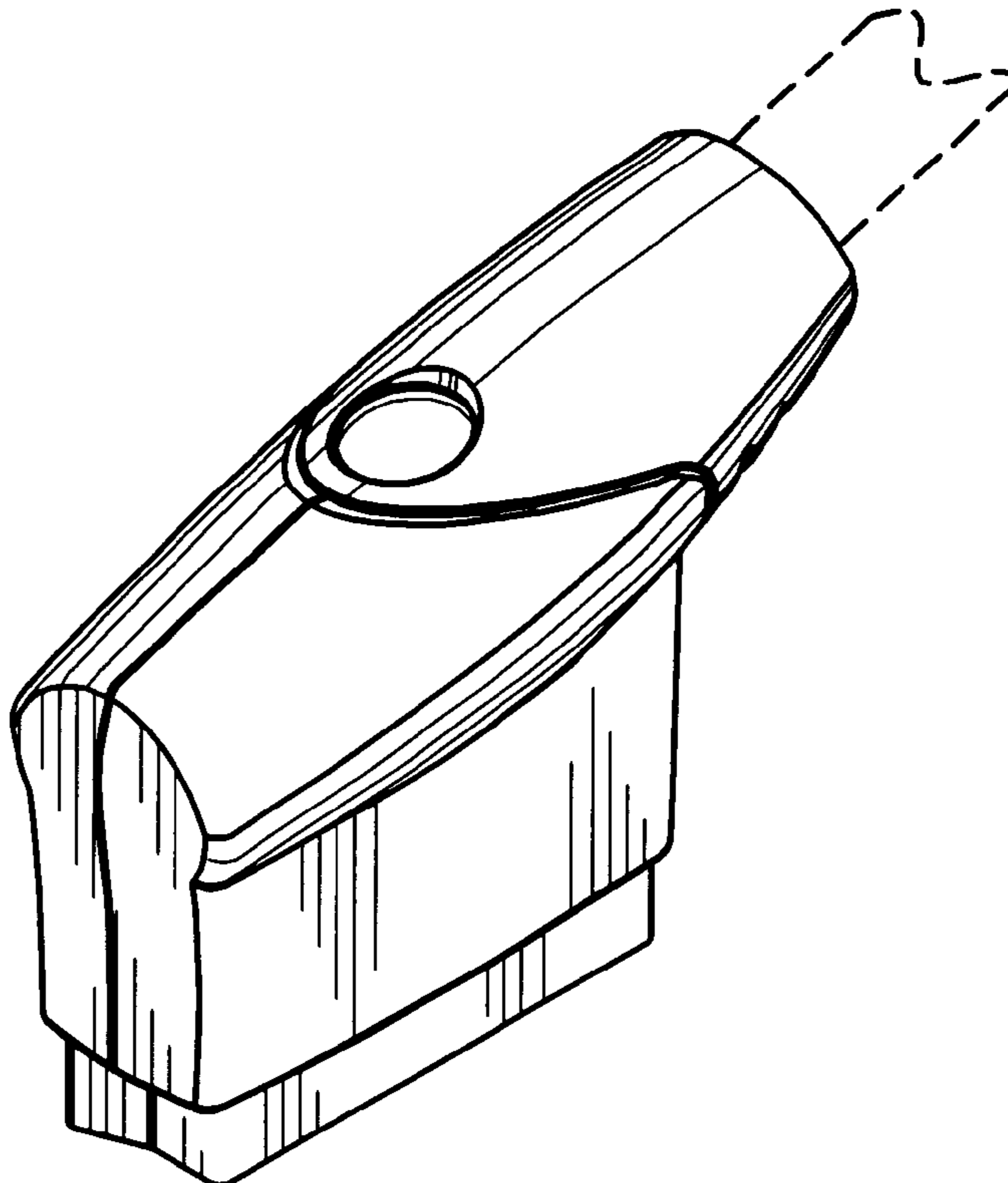
DESCRIPTION

A portion of the disclosure of this design patent document contains material to which a claim of copyright protection is made. The copyright owner has no objections to the facsimile reproduction of the patent document or the patent disclosure as it appears in the U.S. Patent and Trademark office file or records, but reserves all other copyright rights. FIG. 1 is a perspective view of a SCART connector, in accordance with the present invention. FIG. 2 is a front view thereof. FIG. 3 is a top view thereof. FIG. 4 is an underside view thereof. FIG. 5 is a side view thereof. FIG. 6 is a corresponding side view thereof; and, FIG. 7 is a rear view thereof. The broken lines showing the environment in FIGS. 1 and 3-6 are for illustrative purposes only and form no part of the claimed design.

(56) **References Cited**
U.S. PATENT DOCUMENTS
D225,857 S * 1/1973 Kourinsky D13/133
4,386,814 A * 6/1983 Asick 439/607
D281,416 S * 11/1985 Buscher et al. D13/147
4,838,808 A * 6/1989 Fujiura 439/357
5,062,807 A * 11/1991 Guss, III 439/490
D324,034 S * 2/1992 Williams D13/156
D332,597 S * 1/1993 Dalgleish D13/133
D342,054 S * 12/1993 Woodman D13/146
D430,110 S * 8/2000 Arai D13/147
D445,764 S * 7/2001 Lee D13/146
D453,736 S * 2/2002 Shimojyo D13/147

* cited by examiner

1 Claim, 3 Drawing Sheets



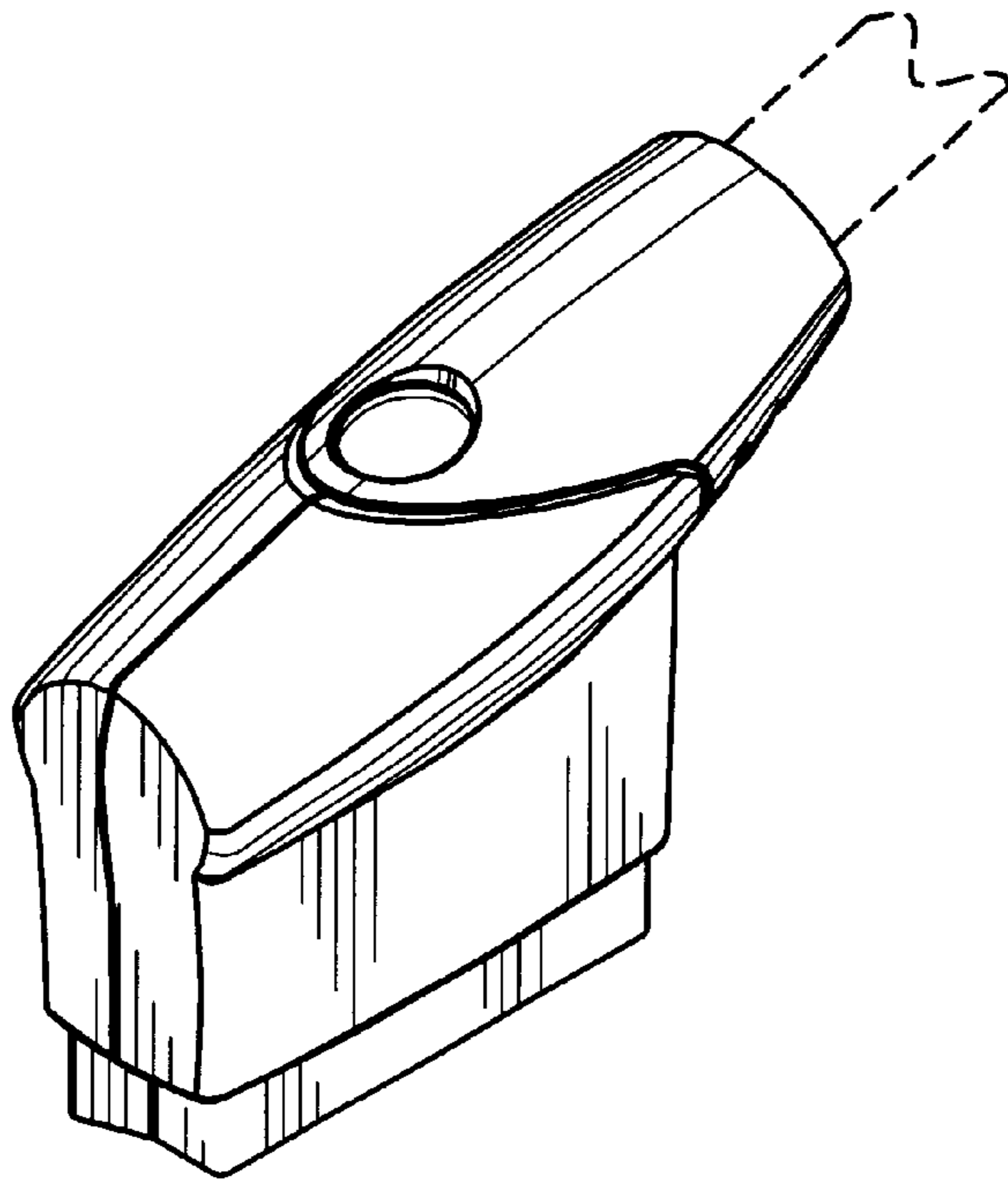


Figure 1

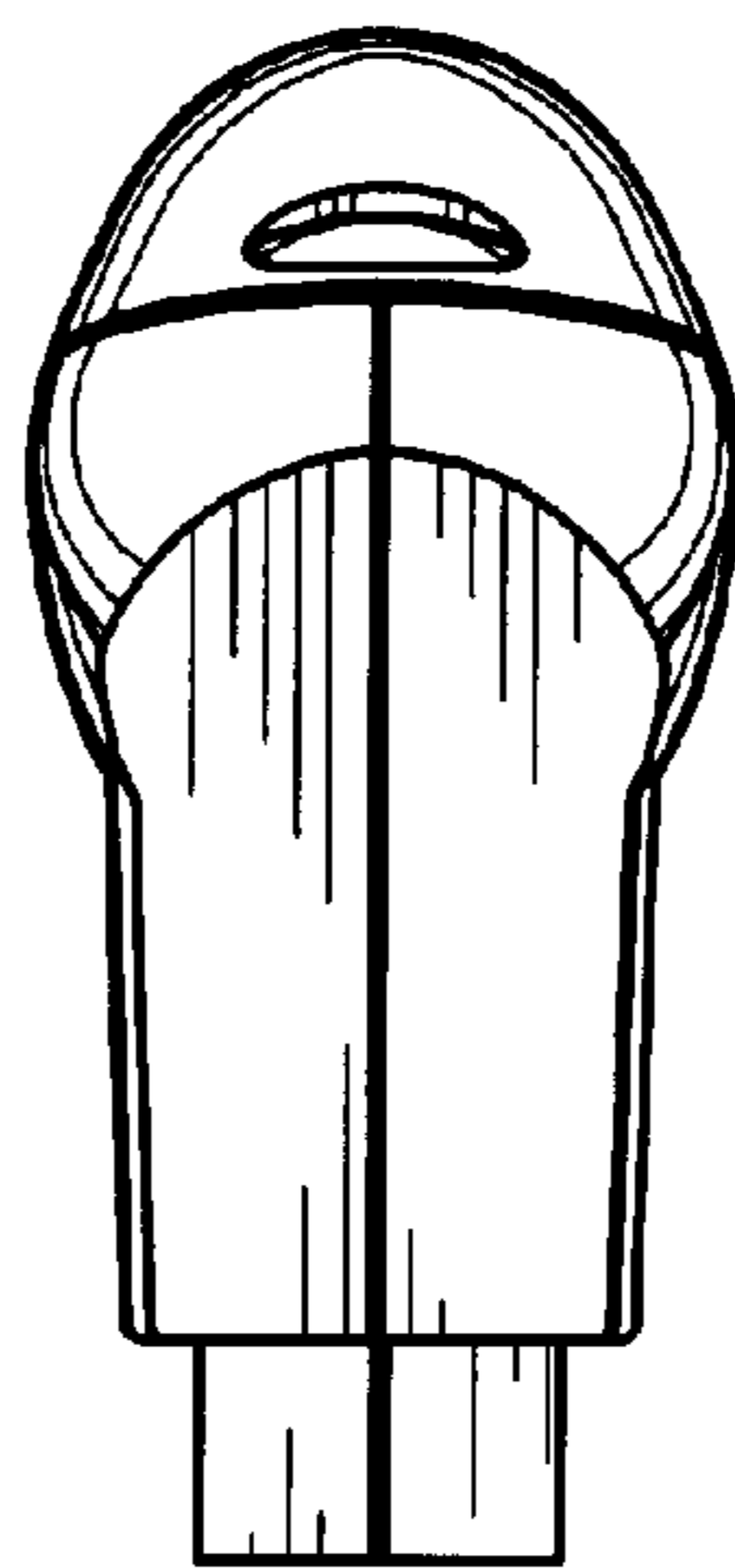


Figure 2

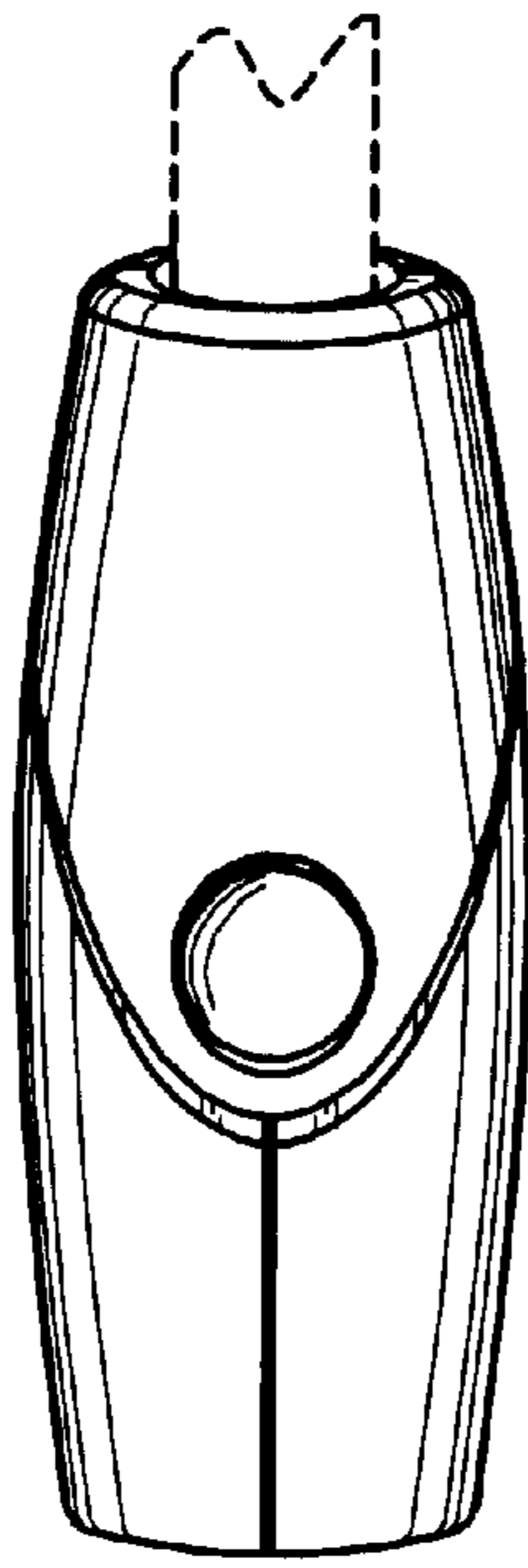


Figure 3

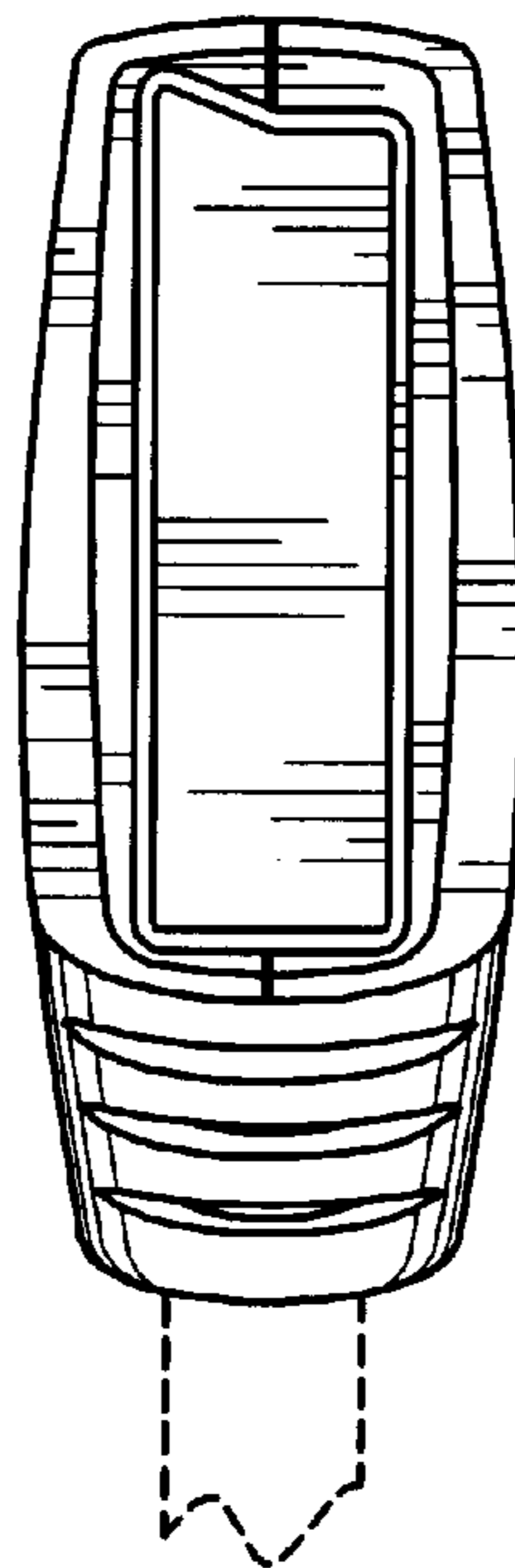


Figure 4

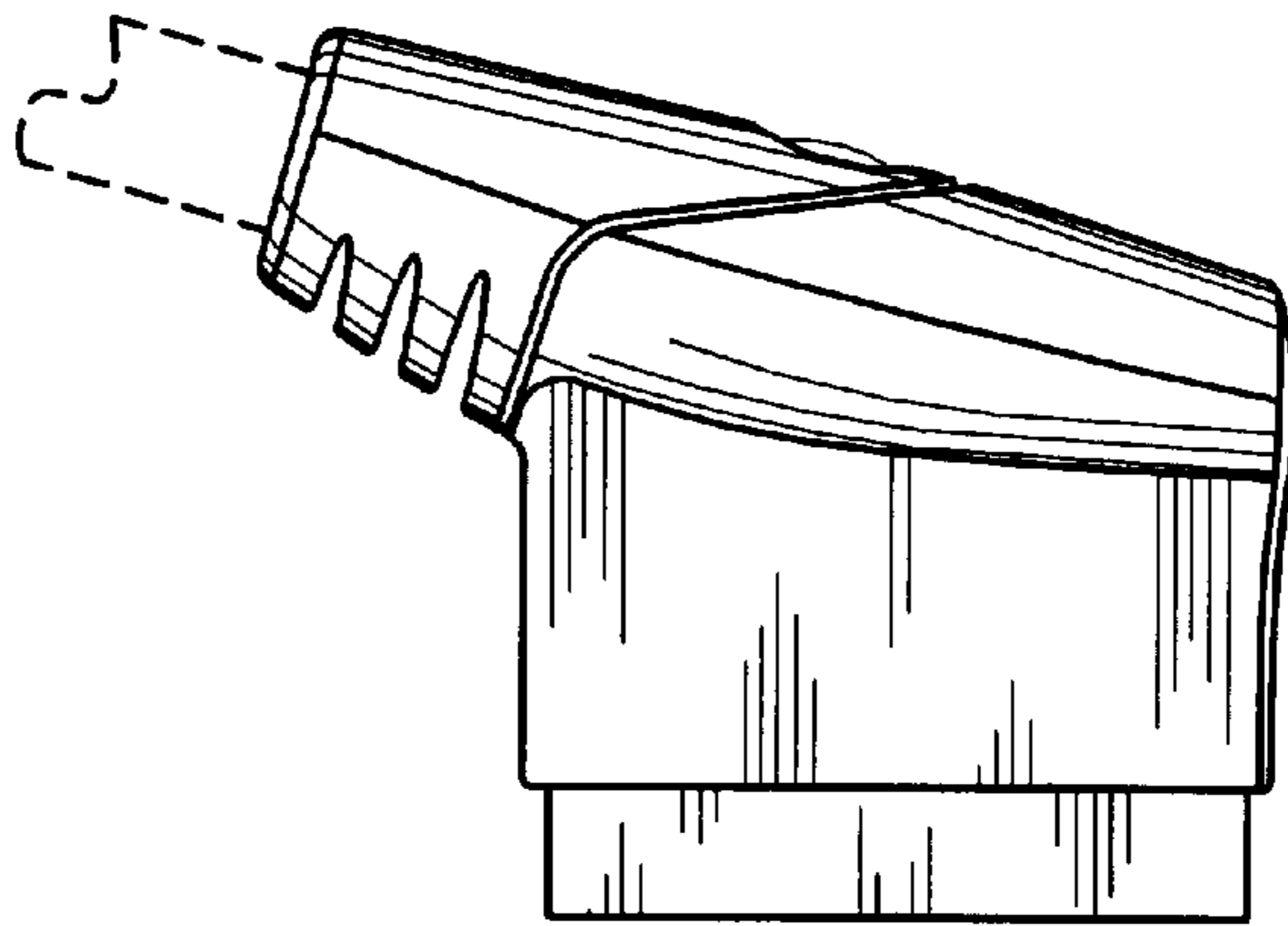


Figure 5

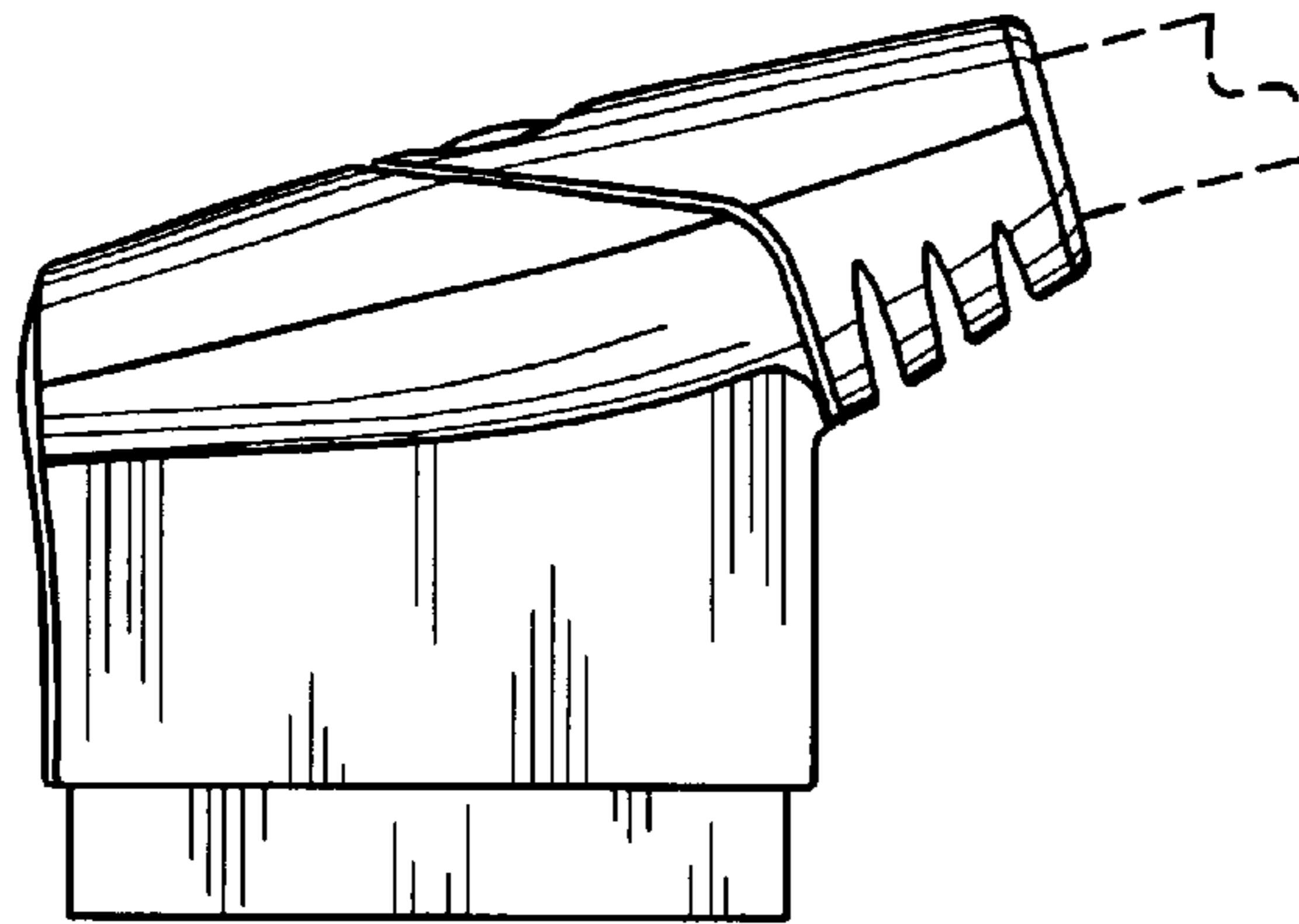


Figure 6

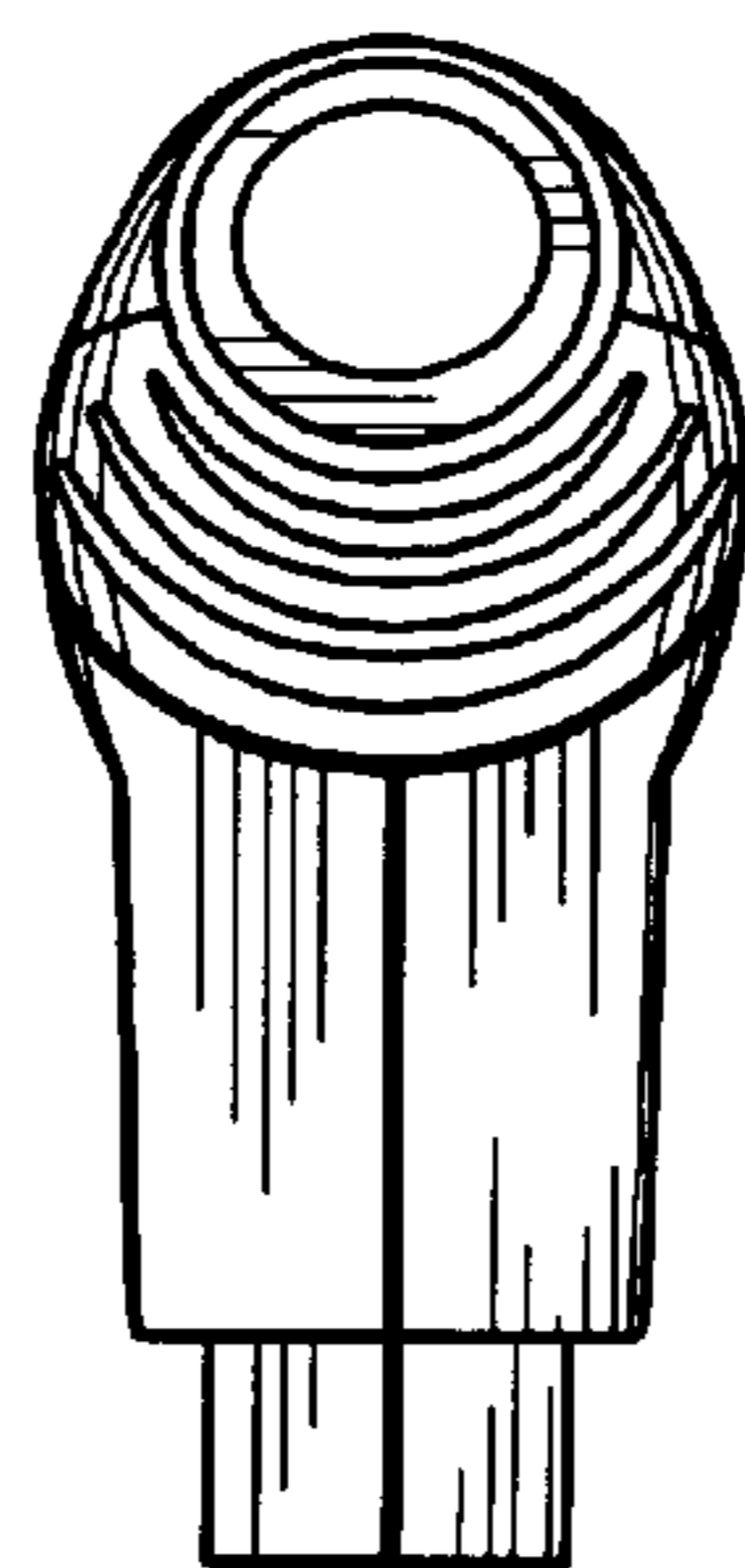


Figure 7

UNITED STATES PATENT AND TRADEMARK OFFICE
CERTIFICATE OF CORRECTION

PATENT NO. : Des. 471,870 S
DATED : March 18, 2003
INVENTOR(S) : Lee

Page 1 of 4

It is certified that error appears in the above-identified patent and that said Letters Patent is hereby corrected as shown below:

Delete drawing sheets 1-3, and substitute therefor the attached drawing sheets 1-3.

Signed and Sealed this

Twenty-ninth Day of July, 2003

A handwritten signature in black ink, appearing to read "James E. Rogan", with a horizontal line drawn underneath it.

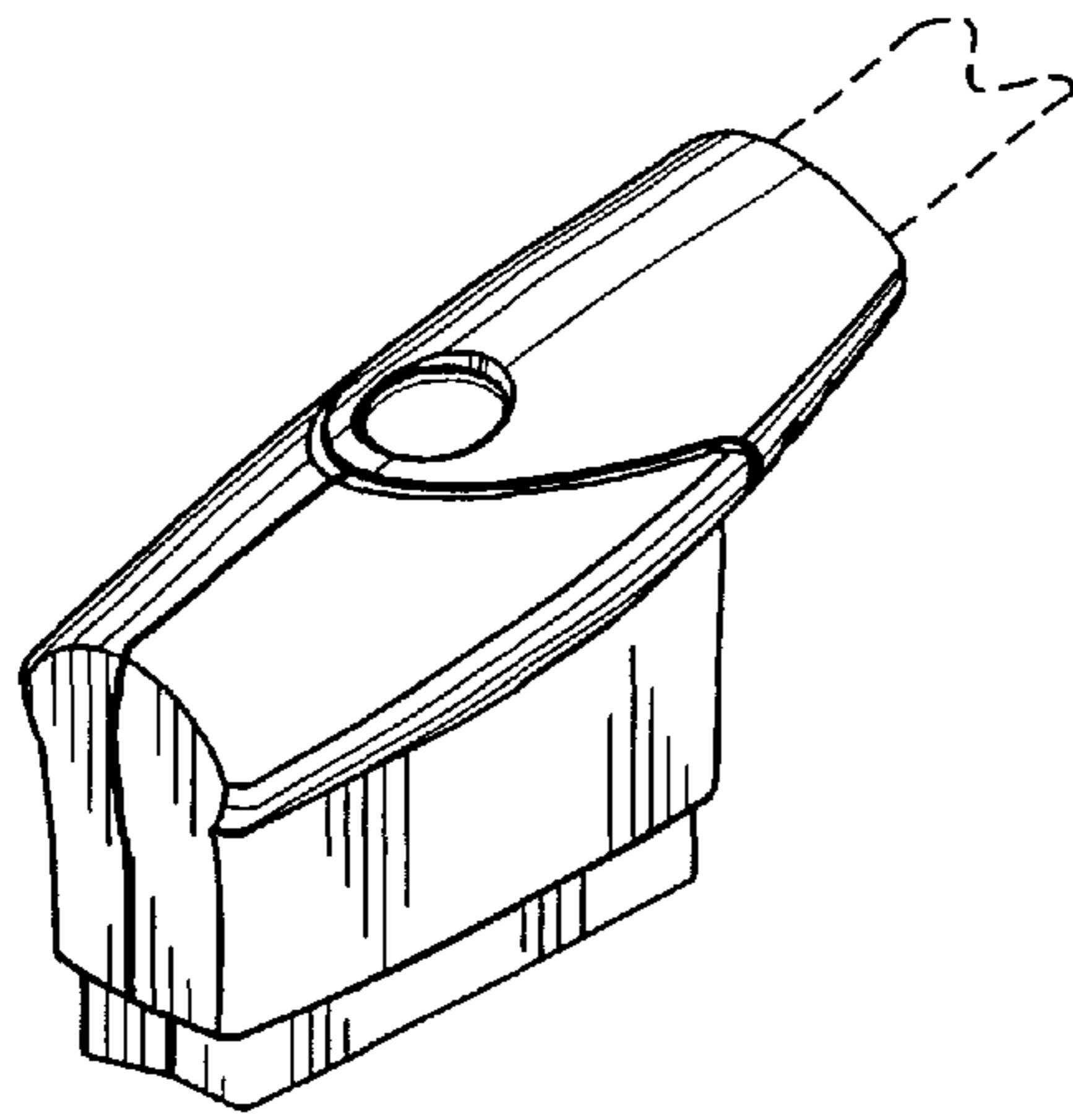
JAMES E. ROGAN
Director of the United States Patent and Trademark Office

U.S. Patent

Mar. 18, 2003

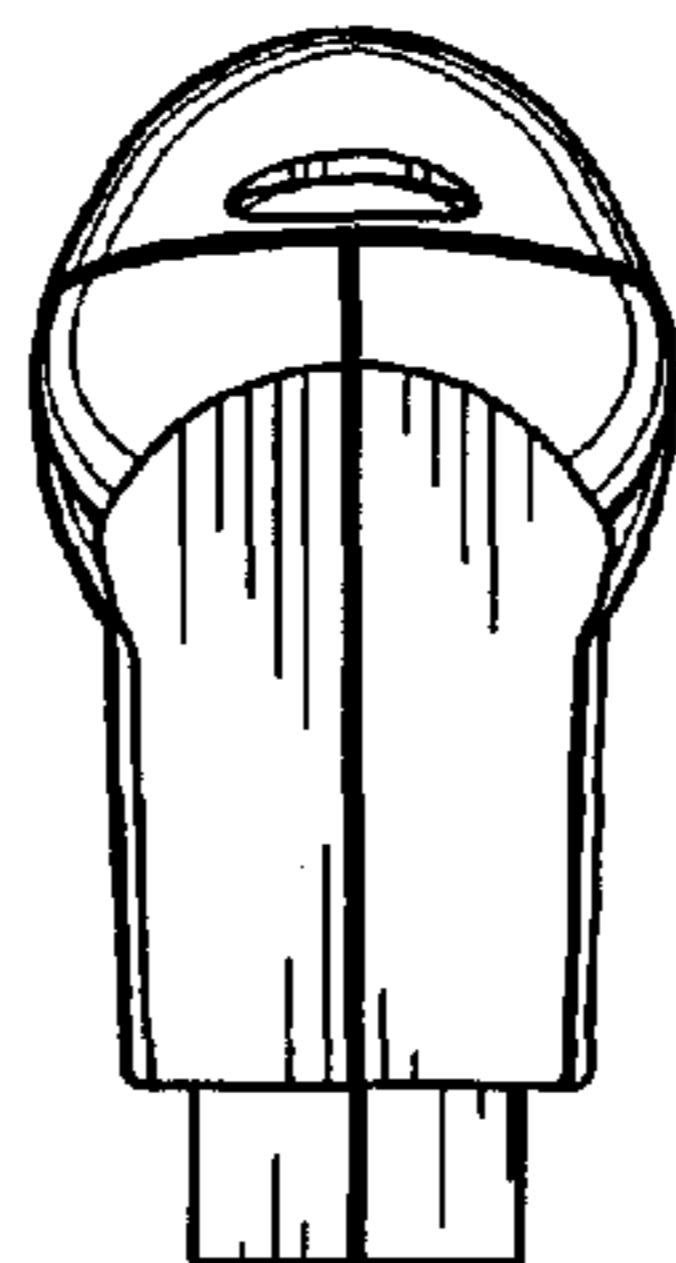
Sheet 1 of 3

D 471,870 S



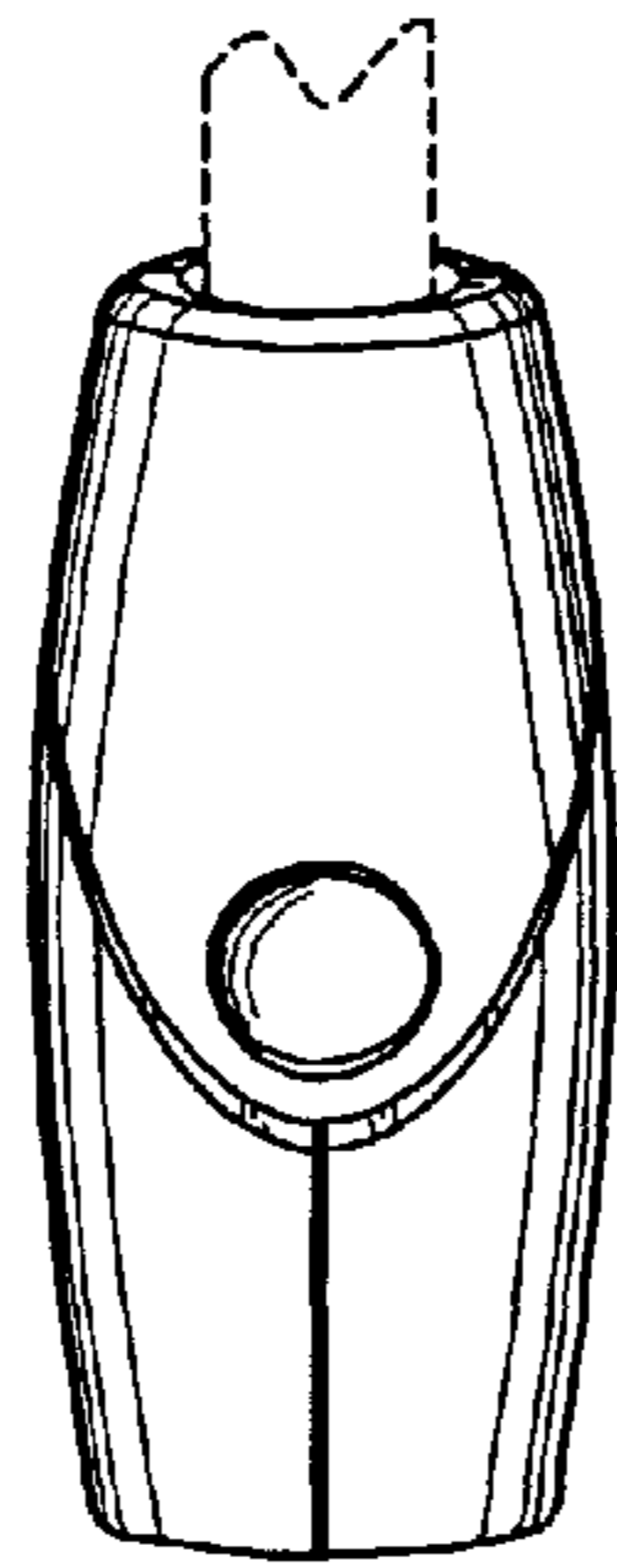
© 2002 MONSTER CABLE PRODUCTS, INC.

Figure 1



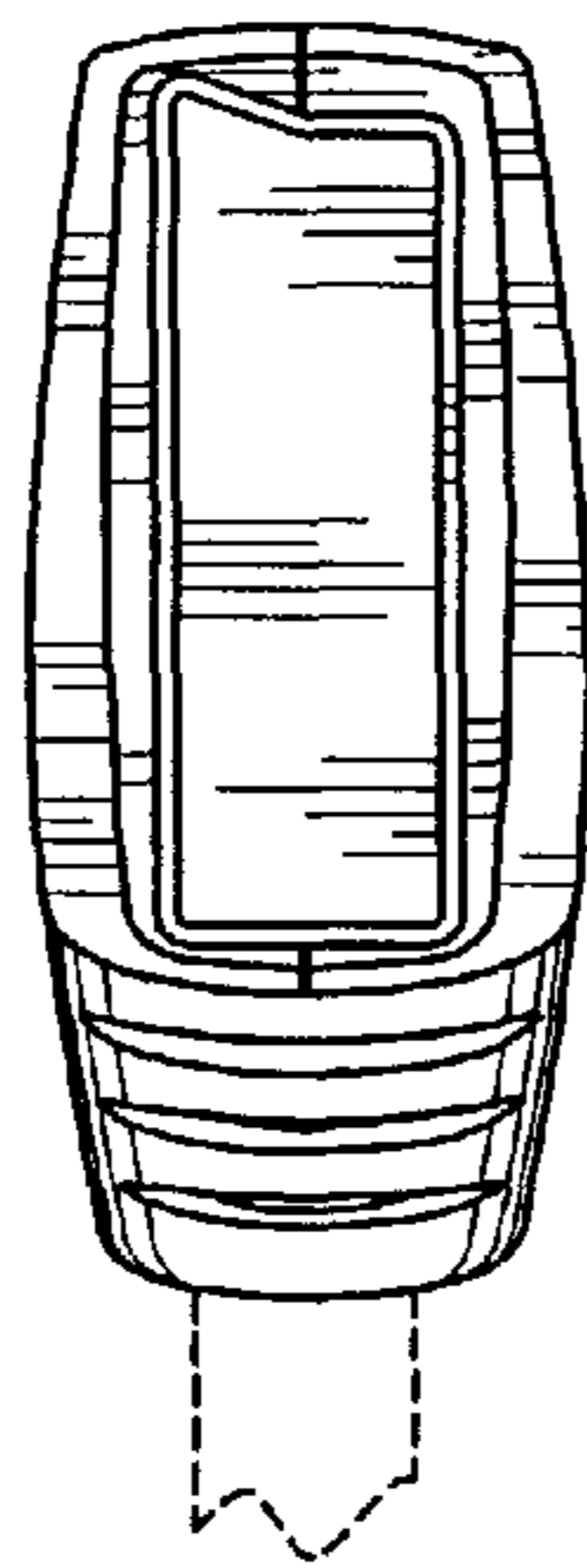
© 2002 MONSTER CABLE PRODUCTS, INC.

Figure 2



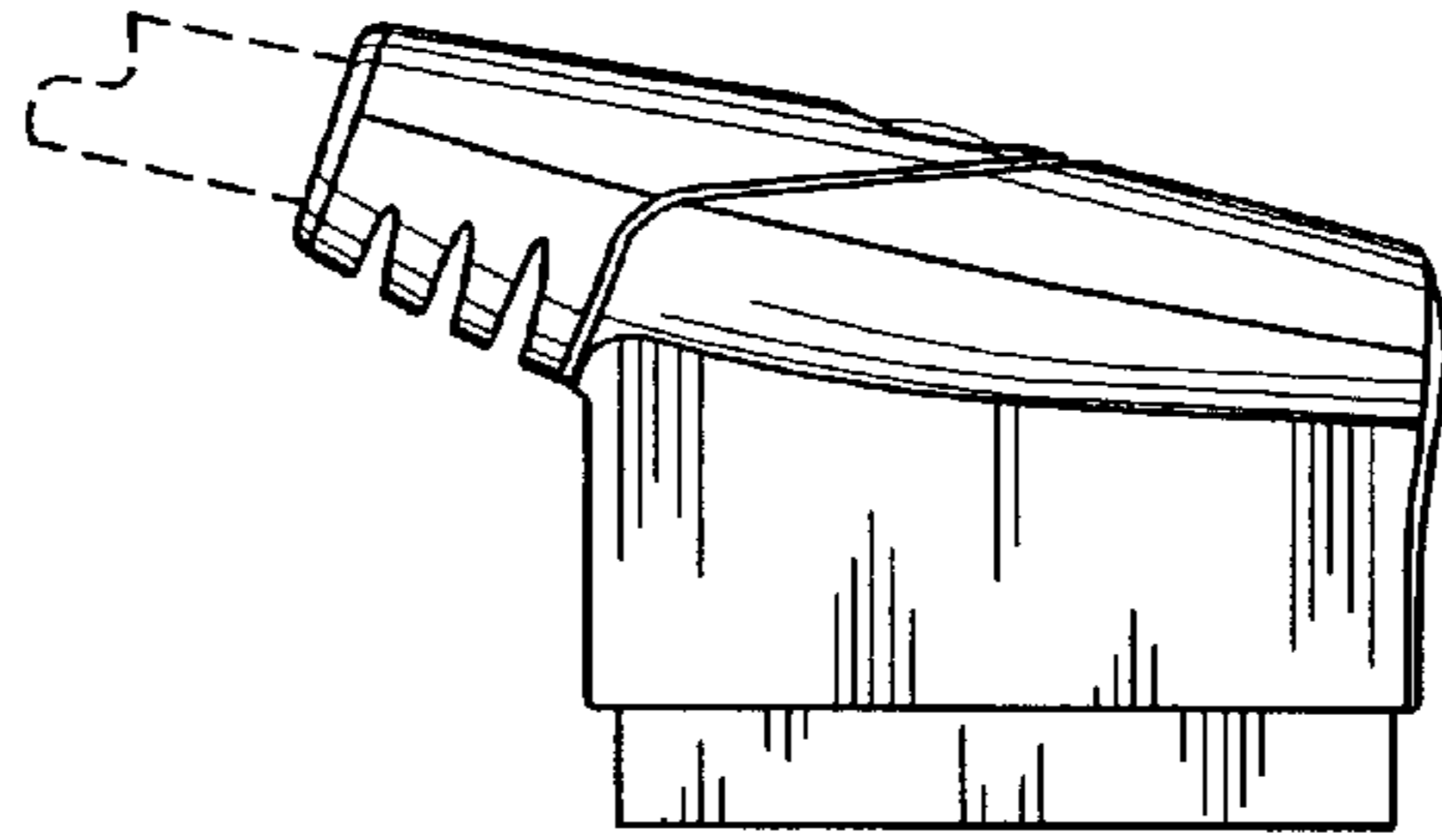
© 2002 MONSTER CABLE PRODUCTS, INC.

Figure 3

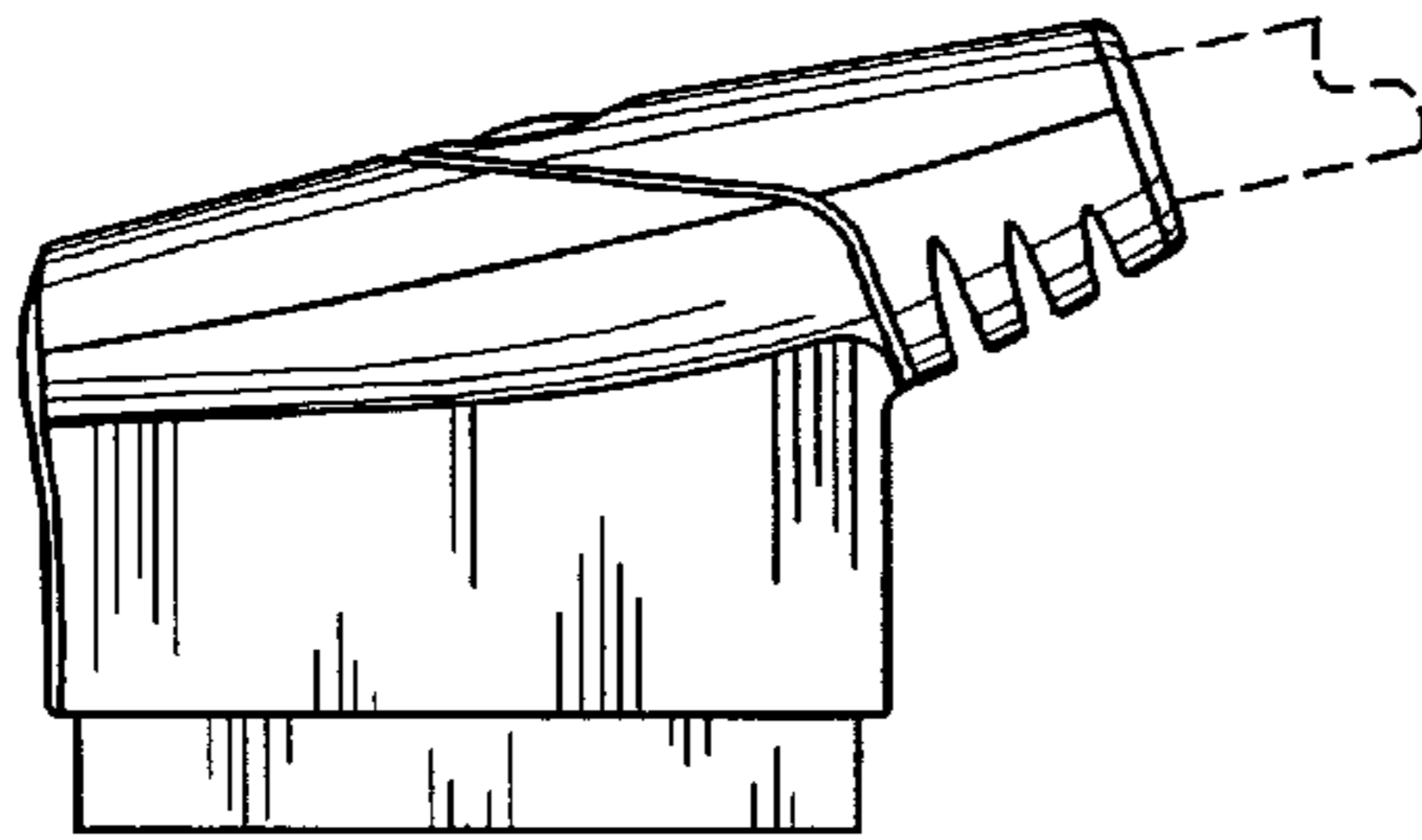


© 2002 MONSTER CABLE PRODUCTS, INC.

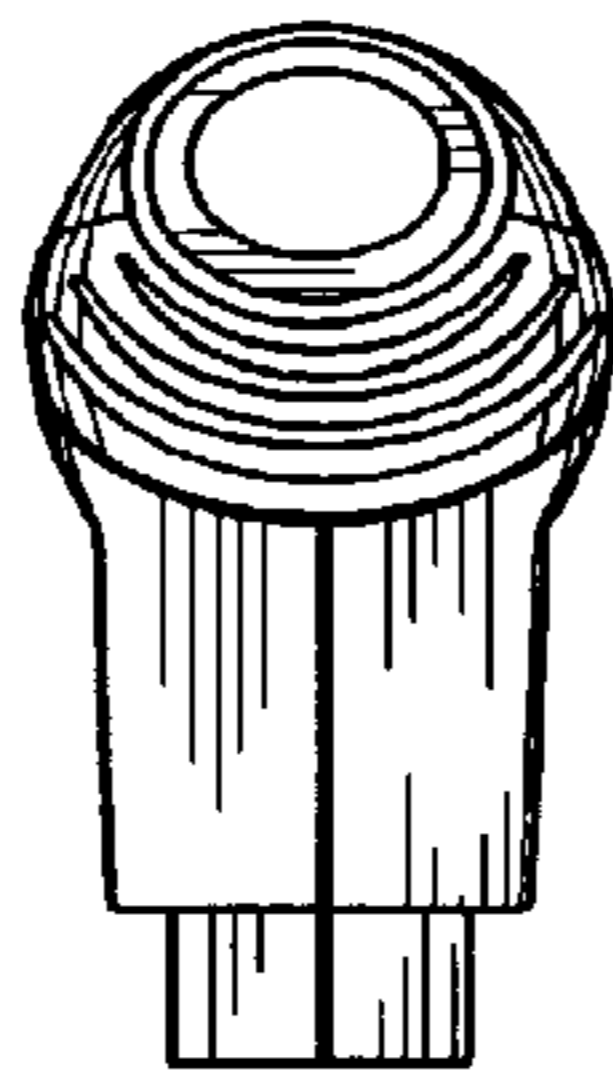
Figure 4



© 2002 MONSTER CABLE PRODUCTS, INC.
Figure 5



© 2002 MONSTER CABLE PRODUCTS, INC.
Figure 6



© 2002 MONSTER CABLE PRODUCTS, INC.
Figure 7