



US00D471868S

(12) **United States Design Patent**
Lee

(10) **Patent No.:** **US D471,868 S**

(45) **Date of Patent:** **** Mar. 18, 2003**

(54) **ELECTRICAL CONNECTOR**

(75) Inventor: **George Lee**, Taipei (TW)

(73) Assignee: **Hon Hai Precision Ind. Co., Ltd.**,
Taipei Hsien (TW)

(**) Term: **14 Years**

(21) Appl. No.: **29/143,984**

(22) Filed: **Jun. 21, 2001**

(51) **LOC (7) Cl.** **13-03**

(52) **U.S. Cl.** **D13/147**

(58) **Field of Search** D13/147, 146;
439/581, 607, 680, 679, 677; 379/438

(56) **References Cited**

U.S. PATENT DOCUMENTS

- 3,179,738 A * 4/1965 DeLyon 439/350
- D324,671 S * 3/1992 Kawashima et al. D13/147
- D325,371 S * 4/1992 Nagasaka et al. D13/147
- 5,425,650 A * 6/1995 Maeda 439/680 X

- 5,775,932 A * 7/1998 Saito et al. 439/378
- 5,890,931 A * 4/1999 Ittah et al. 439/677 X
- 5,915,996 A * 6/1999 Kitamura 439/680
- D459,311 S * 6/2002 Chen D13/147

* cited by examiner

Primary Examiner—Joel Sincavage

(74) *Attorney, Agent, or Firm*—Wei Te Chung

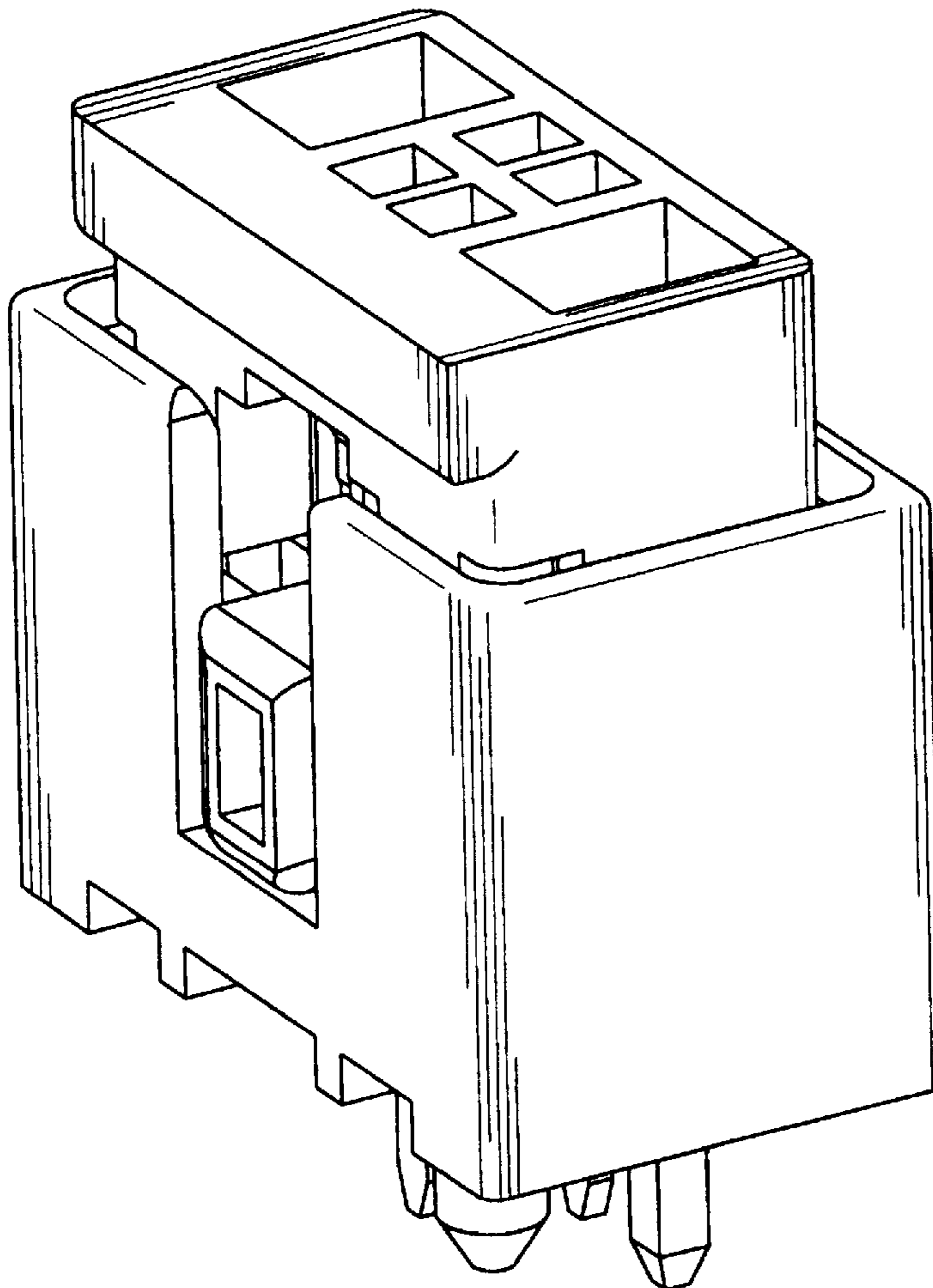
(57) **CLAIM**

The ornamental design for an electrical connector, as shown.

DESCRIPTION

FIG. 1 is a front, top and right side perspective view of an electrical connector showing my new design;
 FIG. 2 is a front elevational view thereof;
 FIG. 3 is a rear elevational view thereof;
 FIG. 4 is a left side elevational view thereof;
 FIG. 5 is a right side elevational view thereof;
 FIG. 6 is a top plan view thereof; and,
 FIG. 7 is a bottom plan view thereof.

1 Claim, 6 Drawing Sheets



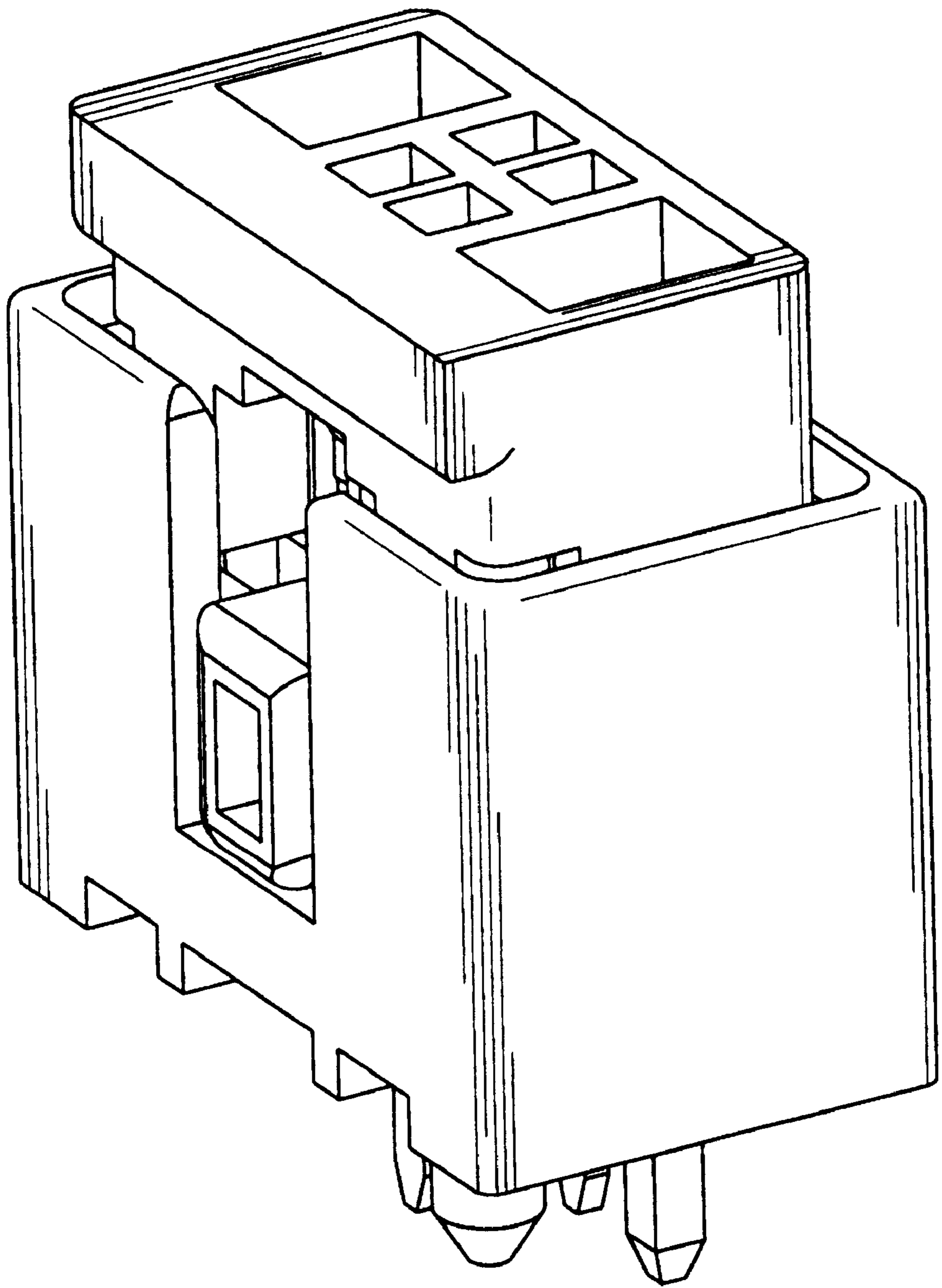


FIG. 1

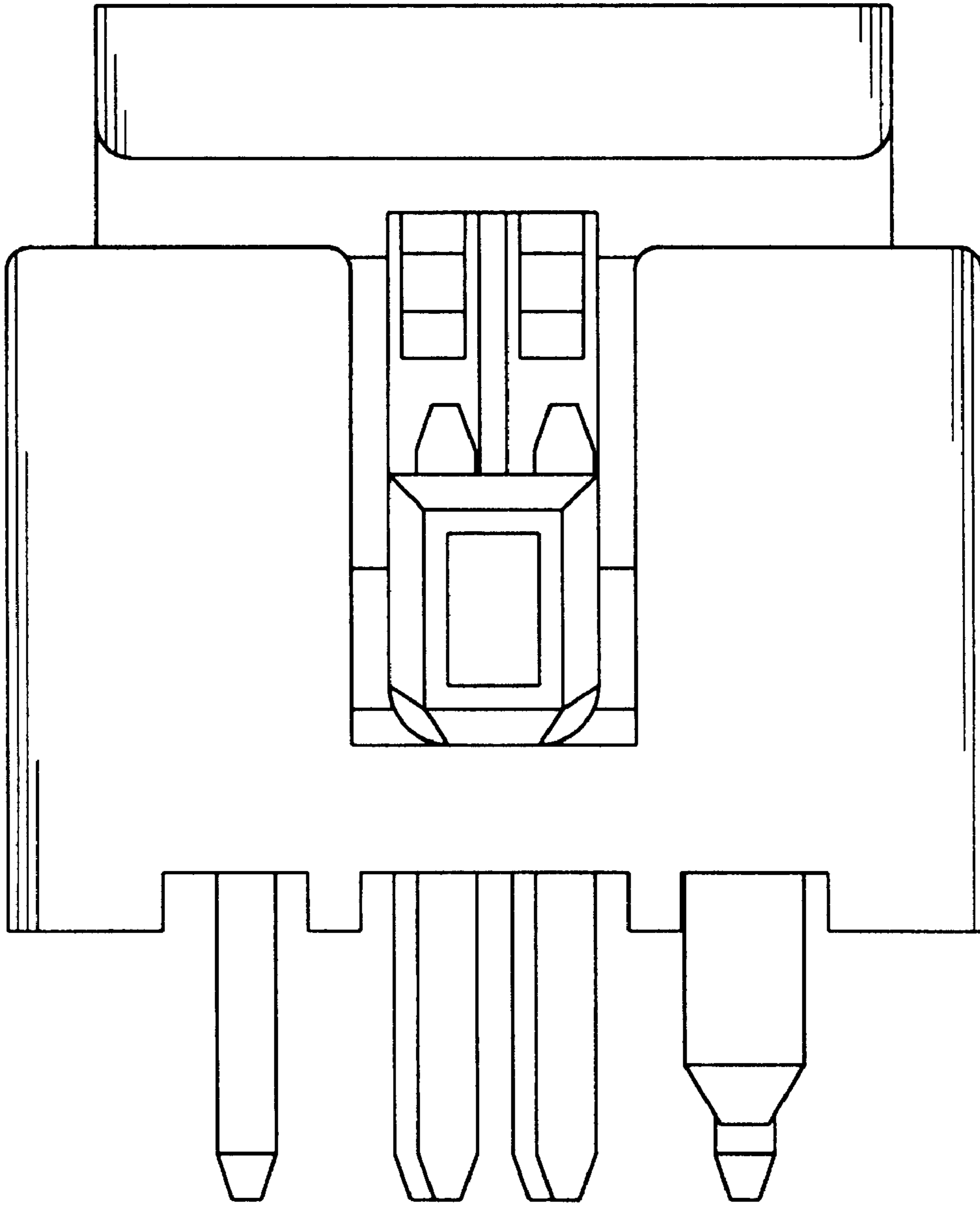


FIG. 2

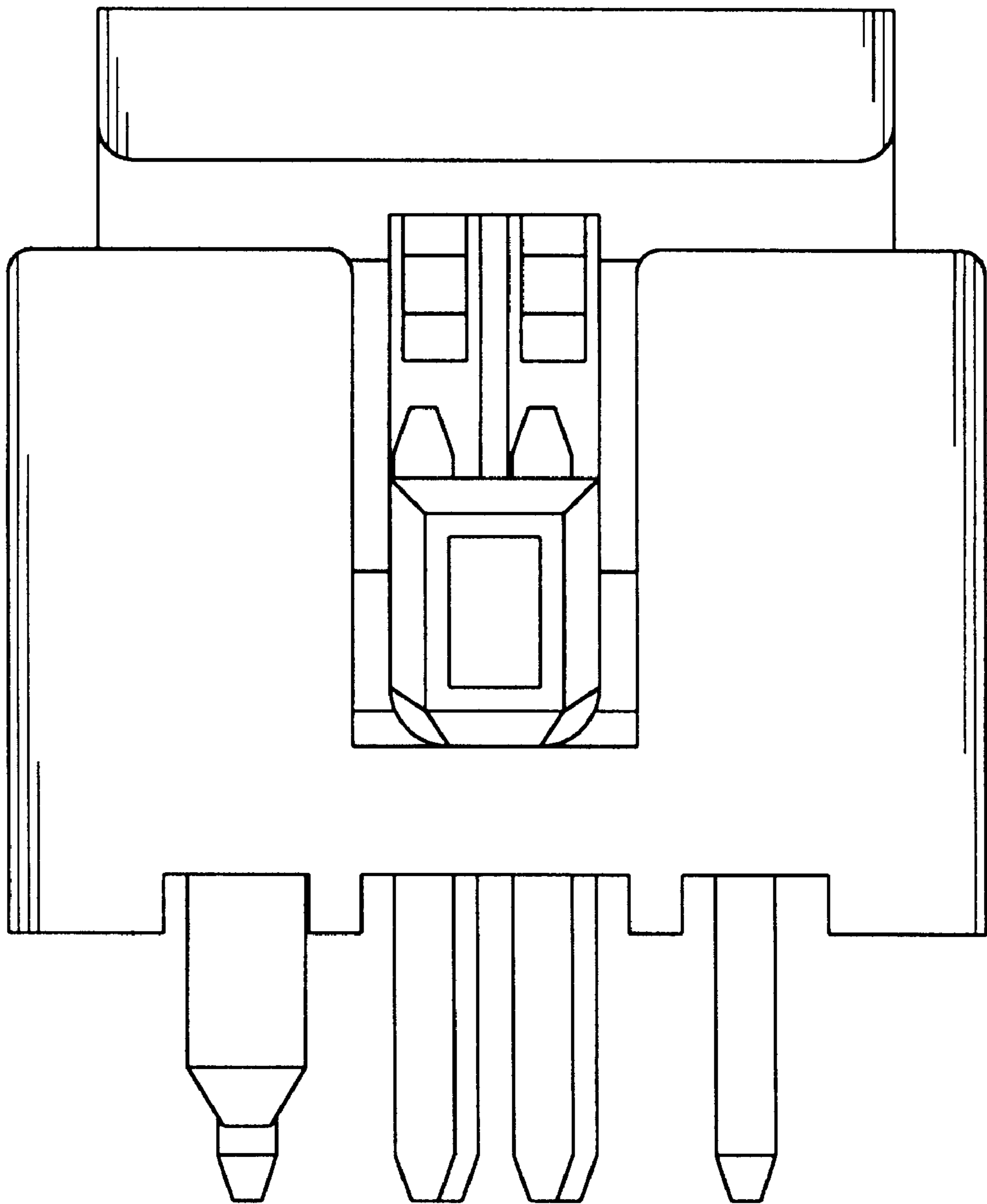


FIG. 3

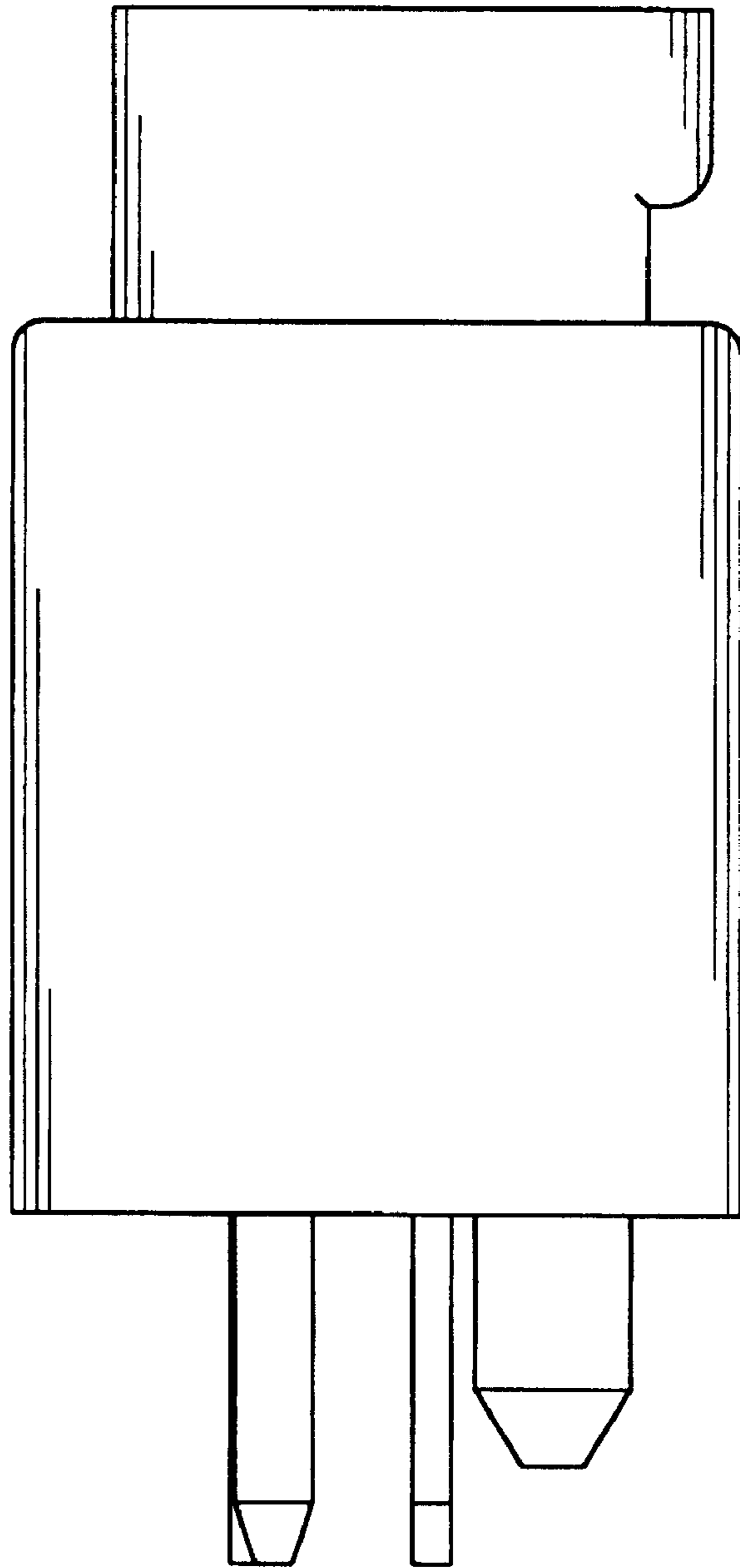


FIG. 4

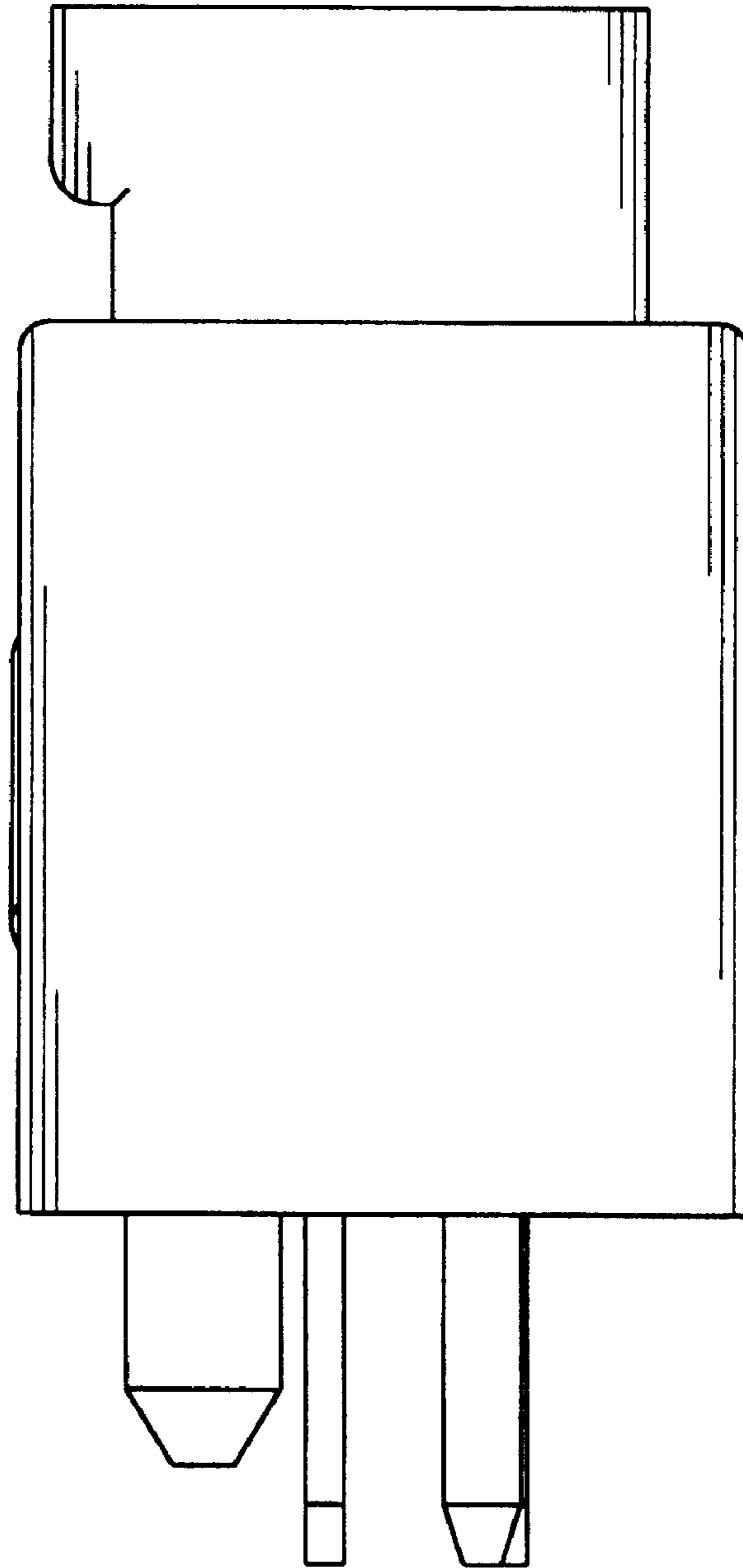


FIG. 5

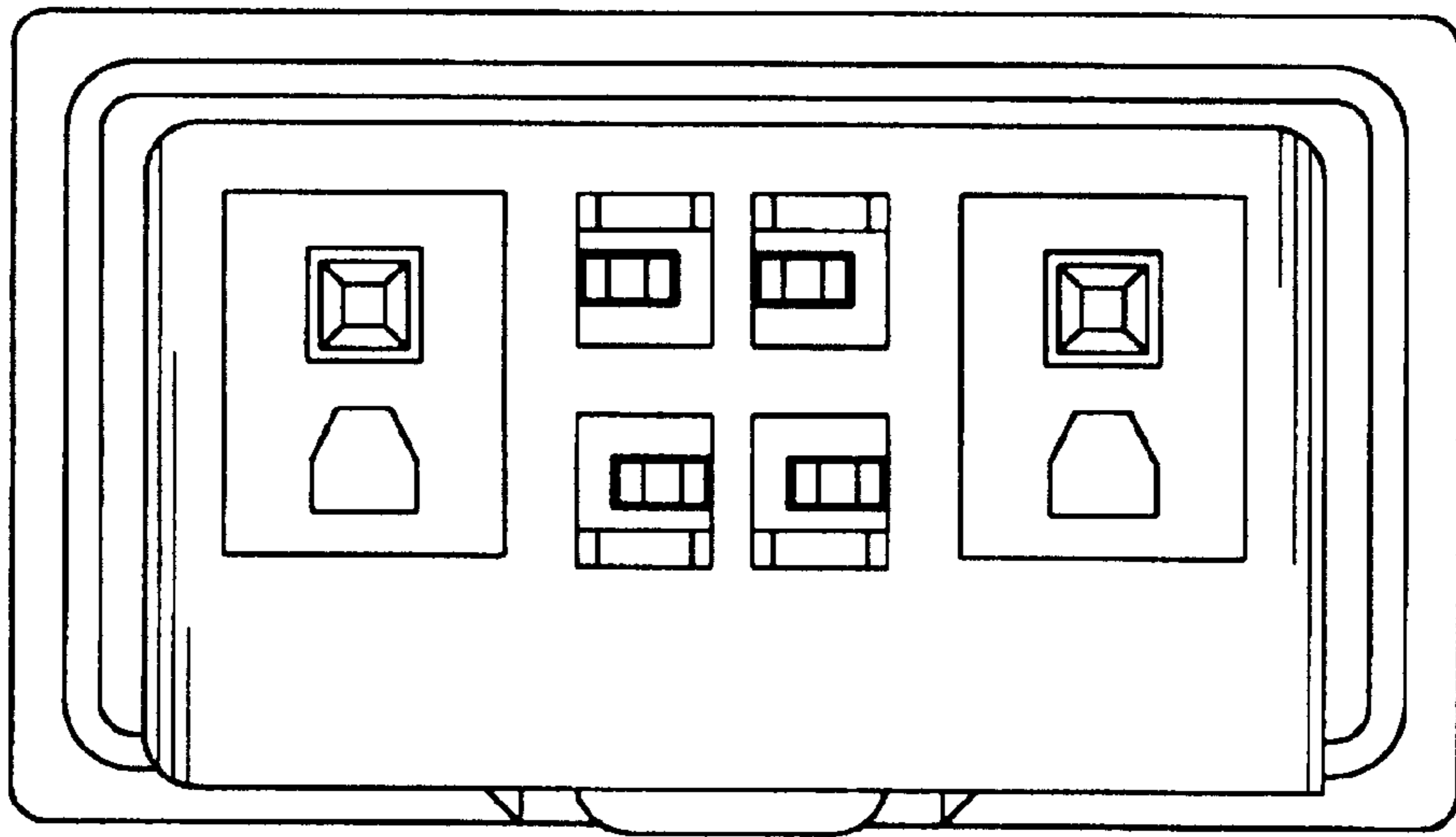


FIG. 6

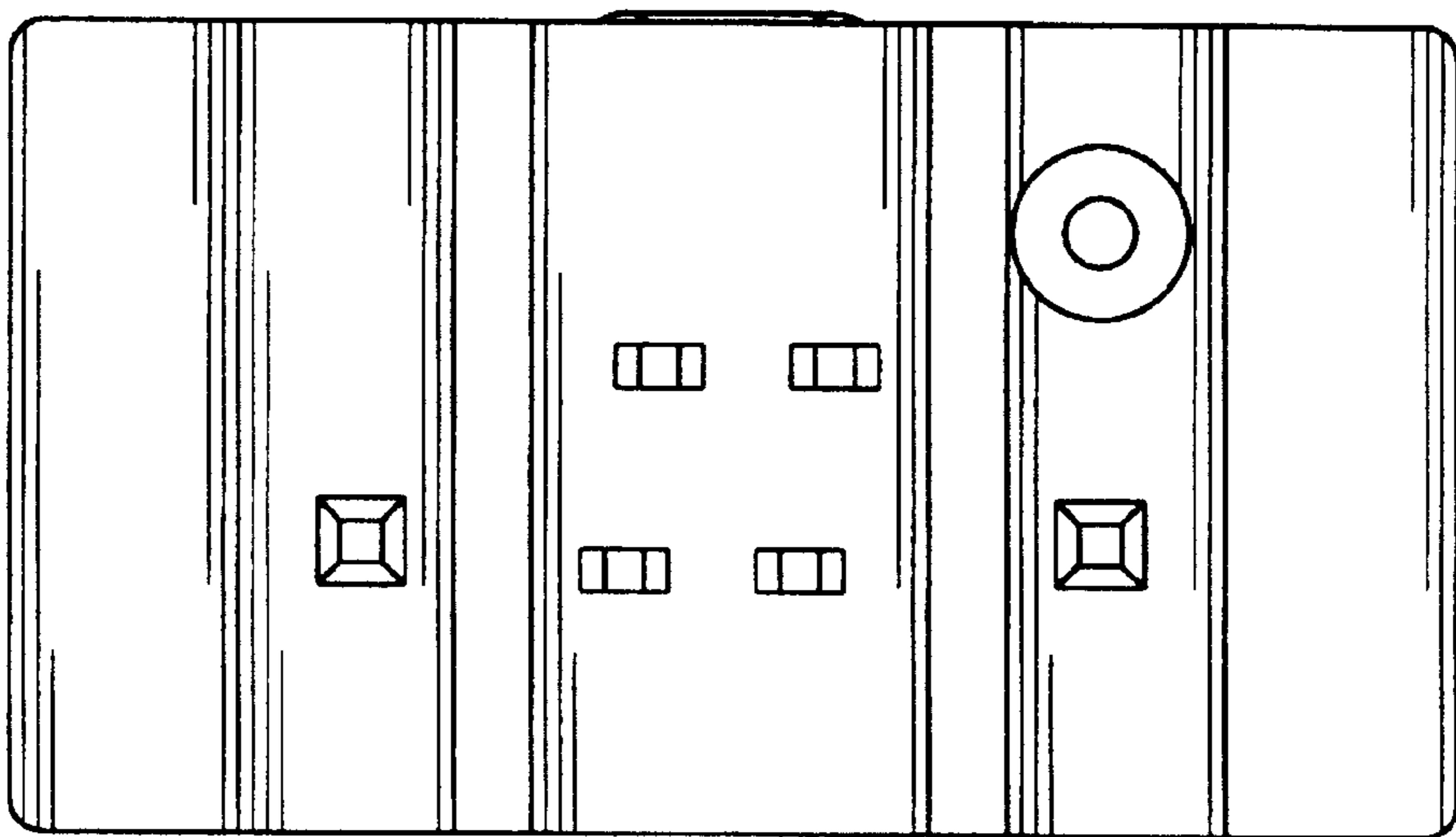


FIG. 7