



US00D471866S

(12) **United States Design Patent**
Yano et al.

(10) **Patent No.:** **US D471,866 S**

(45) **Date of Patent:** **** Mar. 18, 2003**

(54) **TERMINAL SOCKET**

(75) Inventors: **Keisuke Yano**, Kyoto (JP); **Toshifumi Sumino**, Kyoto (JP)

(73) Assignee: **Omron Corporation**, Kyoto (JP)

(**) Term: **14 Years**

(21) Appl. No.: **29/138,502**

(22) Filed: **Mar. 16, 2001**

(51) **LOC (7) Cl.** **13-03**

(52) **U.S. Cl.** **D13/147**

(58) **Field of Search** D13/147, 151;
439/709, 715, 716, 717, 157; 361/823

(56) **References Cited**

U.S. PATENT DOCUMENTS

D222,470 S	*	10/1971	Fujita et al.	D13/151
D223,493 S	*	4/1972	Fujita et al.	D13/151
5,431,574 A	*	7/1995	Shinchi	439/157
5,496,187 A	*	3/1996	Shinchi	439/157
5,551,885 A	*	9/1996	Yamanashi et al.	439/157
5,641,313 A	*	6/1997	Hohorst	439/709
5,716,241 A	*	2/1998	Hennemann et al.	439/716

* cited by examiner

Primary Examiner—Joel Sincavage

(74) *Attorney, Agent, or Firm*—Birch, Stewart, Kolasch & Birch, LLP

(57) **CLAIM**

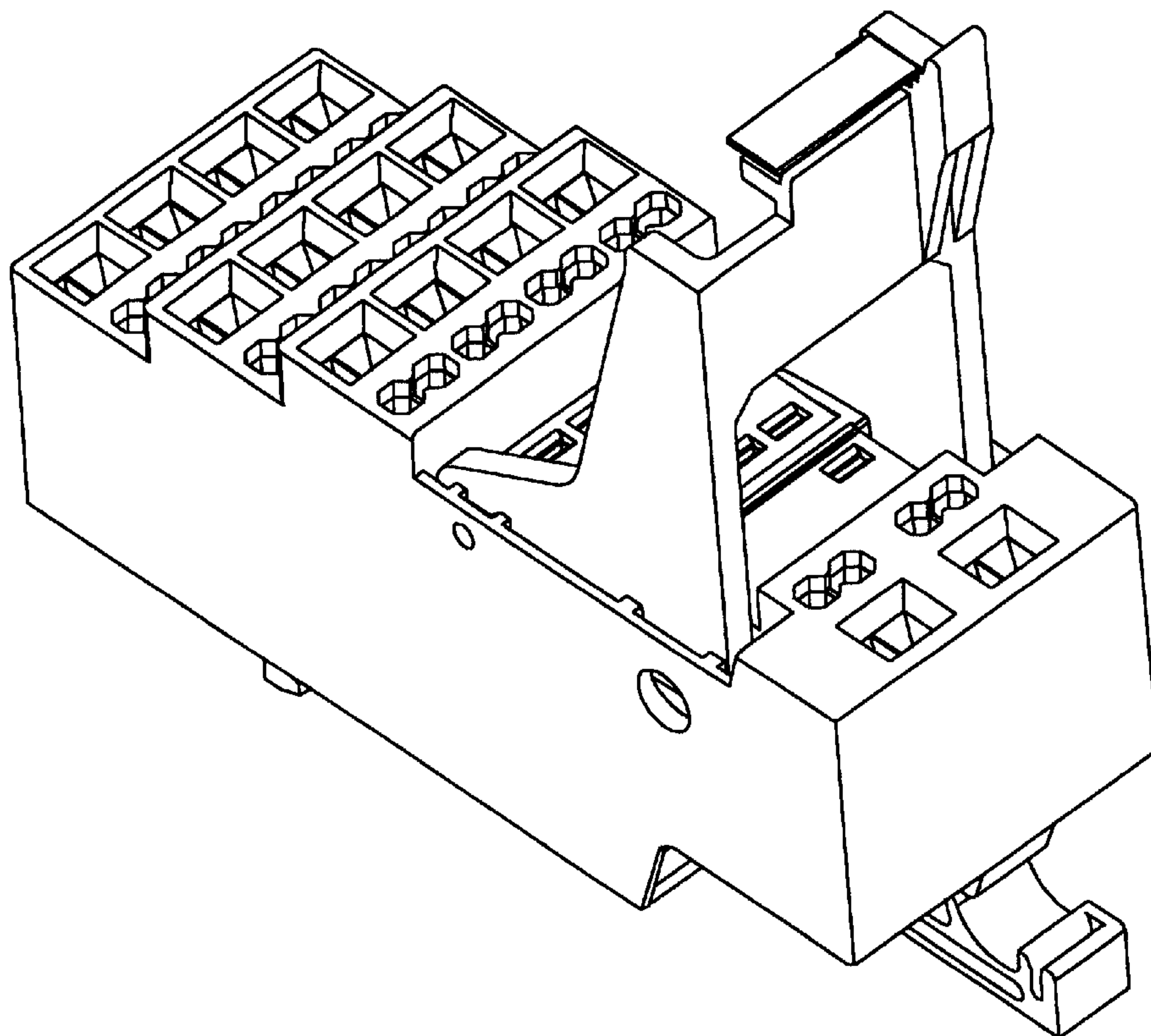
The ornamental design for a terminal socket, as shown and described.

DESCRIPTION

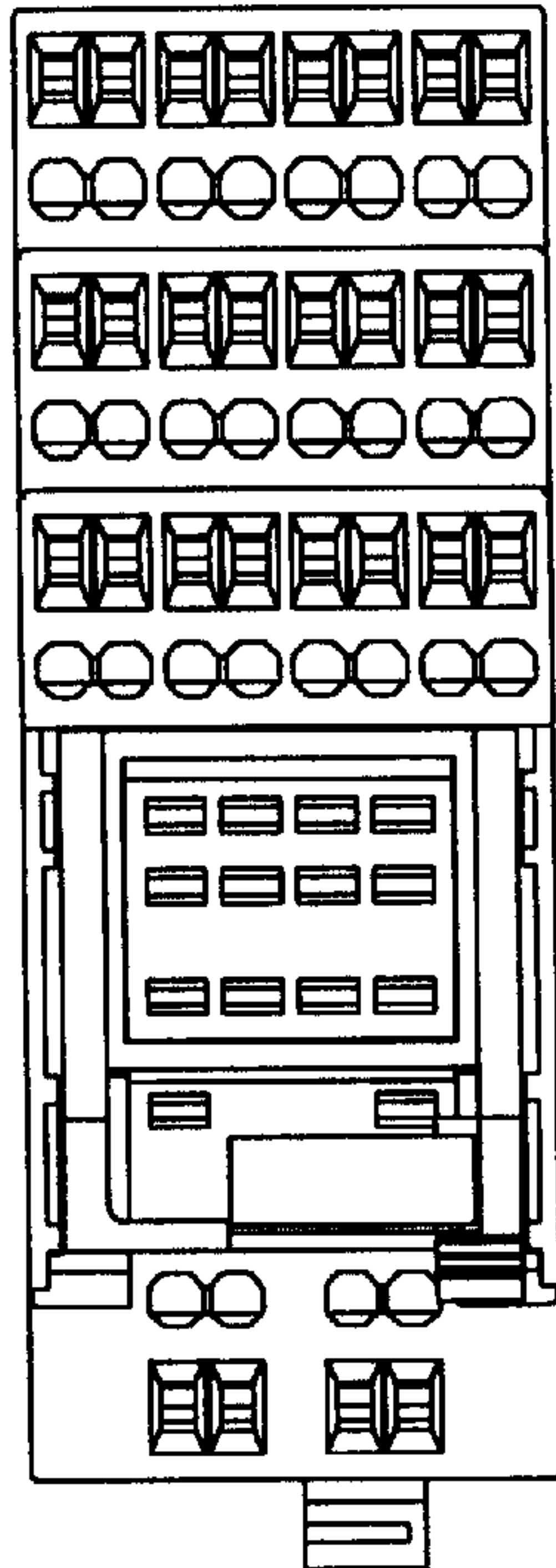
FIG. 1 is a front view of a terminal socket showing our new design;
 FIG. 2 is a rear view thereof;
 FIG. 3 is a top plan view thereof;
 FIG. 4 is a bottom plan view thereof;
 FIG. 5 is a left side view thereof;
 FIG. 6 is a right side view thereof;
 FIG. 7 is a left side view thereof, in a condition wherein a release lever is pulled down;
 FIG. 8 is a perspective view thereof; and,
 FIG. 9 is a exploded perspective view of a release lever thereof.

The claimed design is embodied in the appearance of the socket as it seen in FIGS. 1–8. The release lever is shown separately in FIG. 9 in order to disclose aspects of the design that are not apparent from the other views.

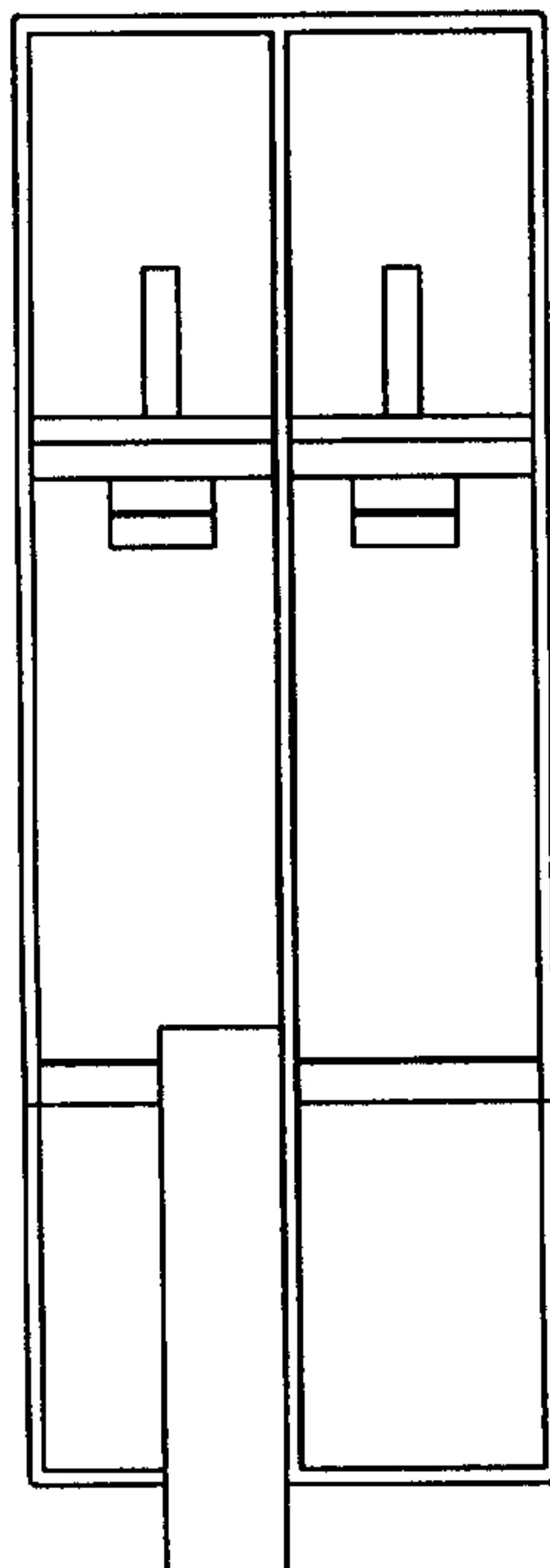
1 Claim, 6 Drawing Sheets



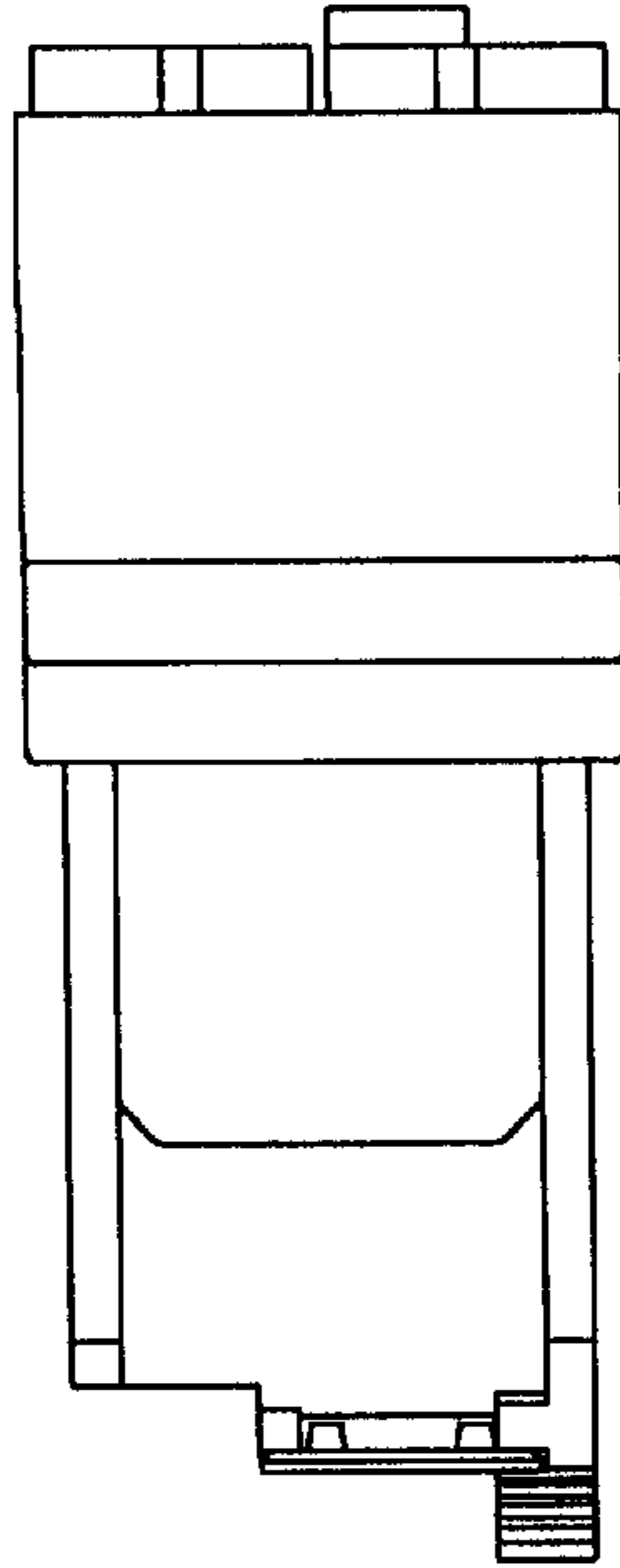
F i g . 1



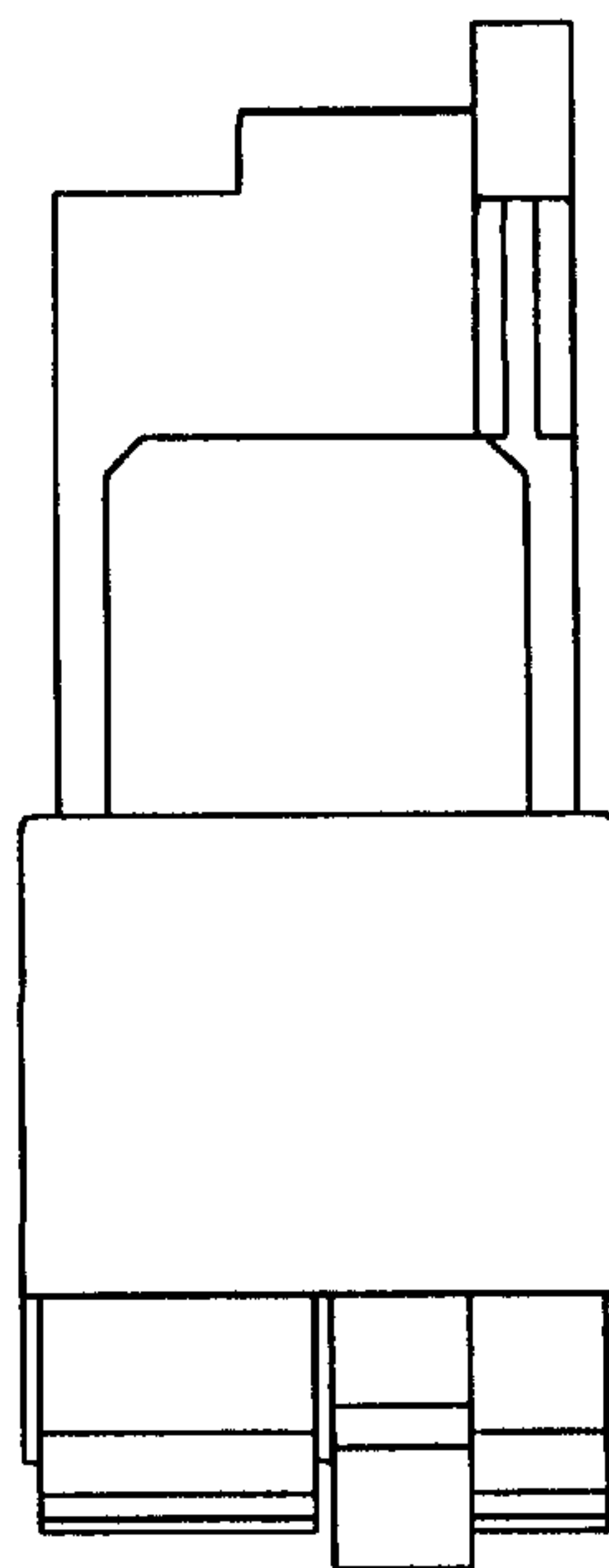
F i g . 2



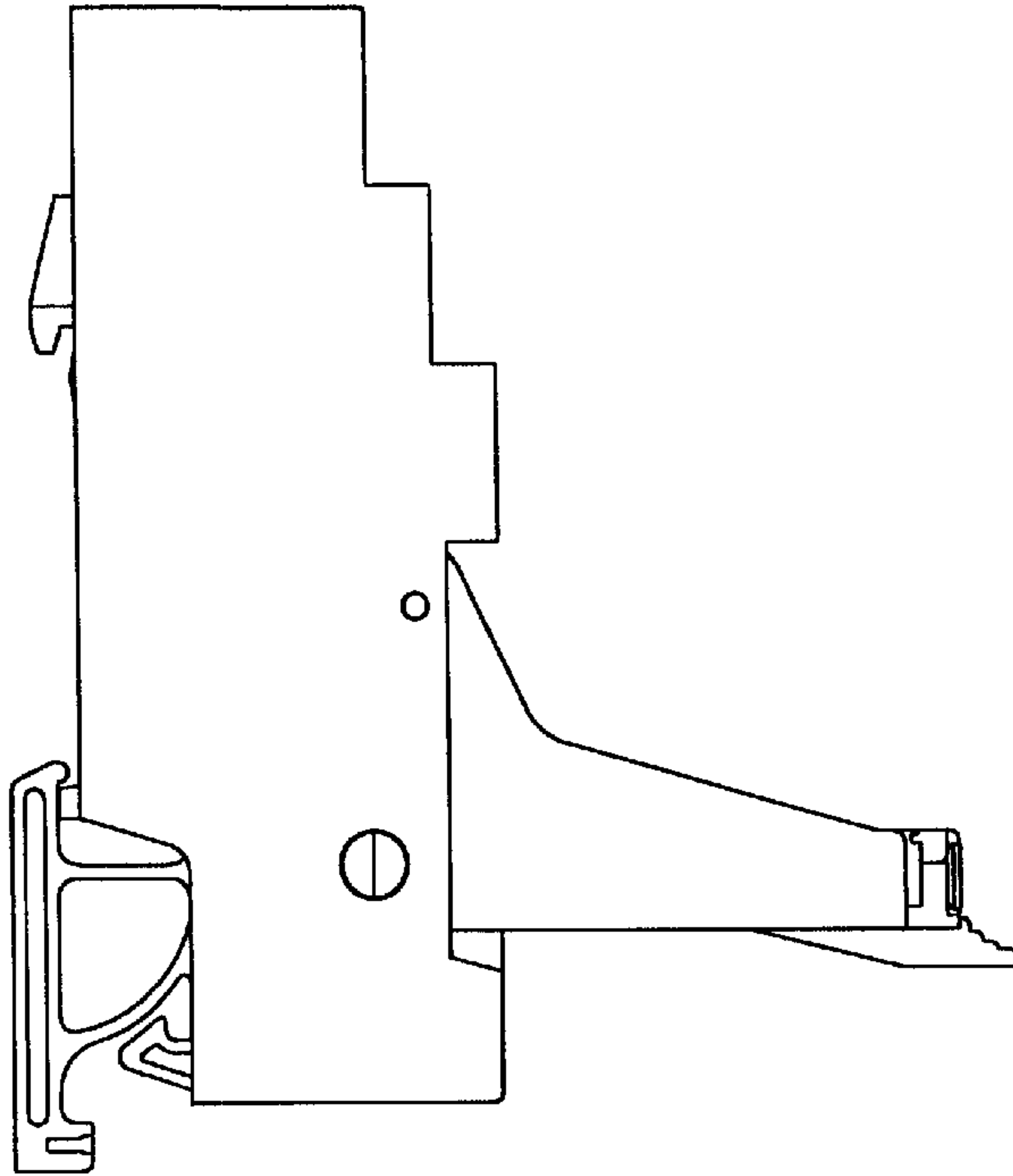
F i g . 3



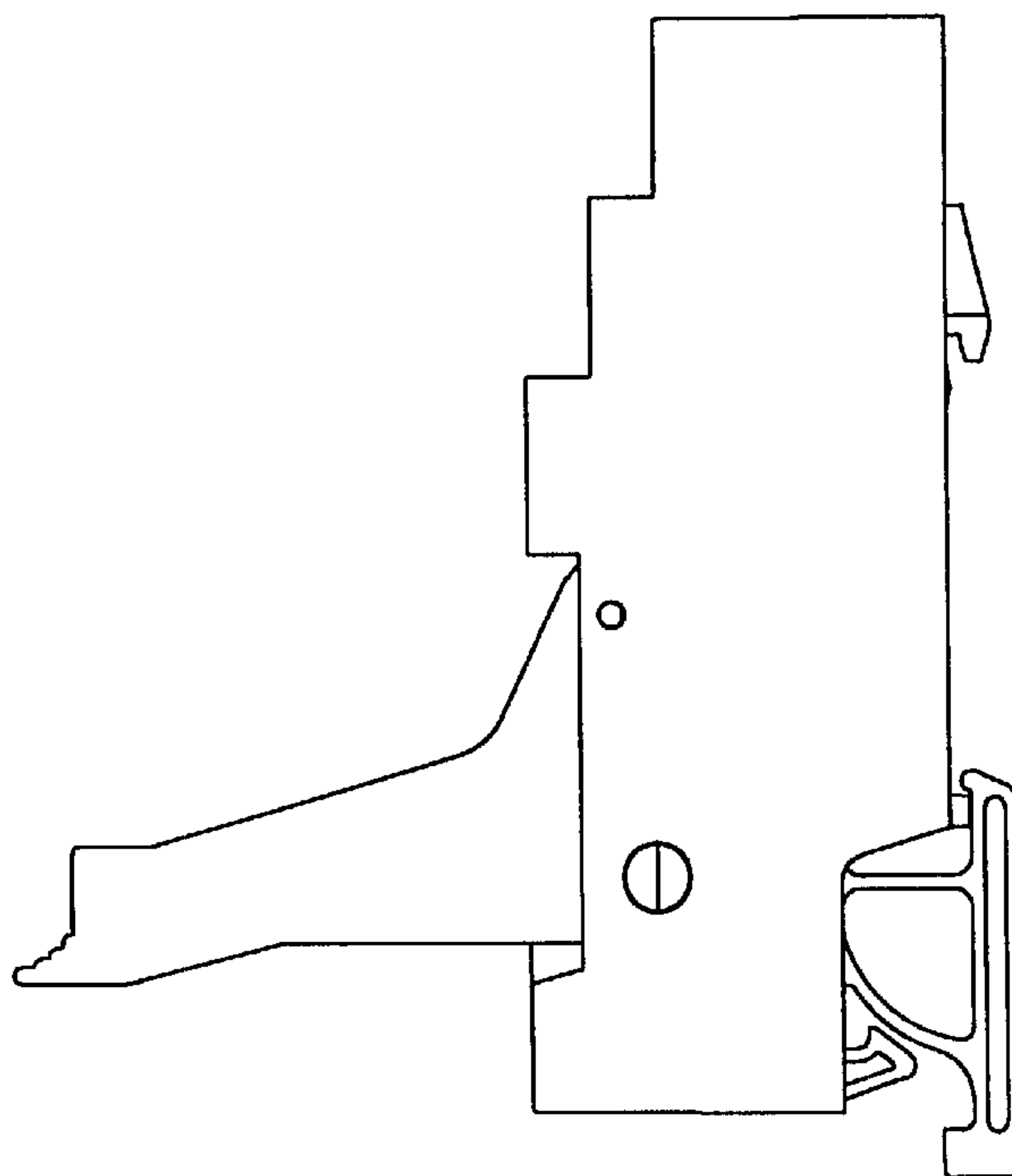
F i g . 4



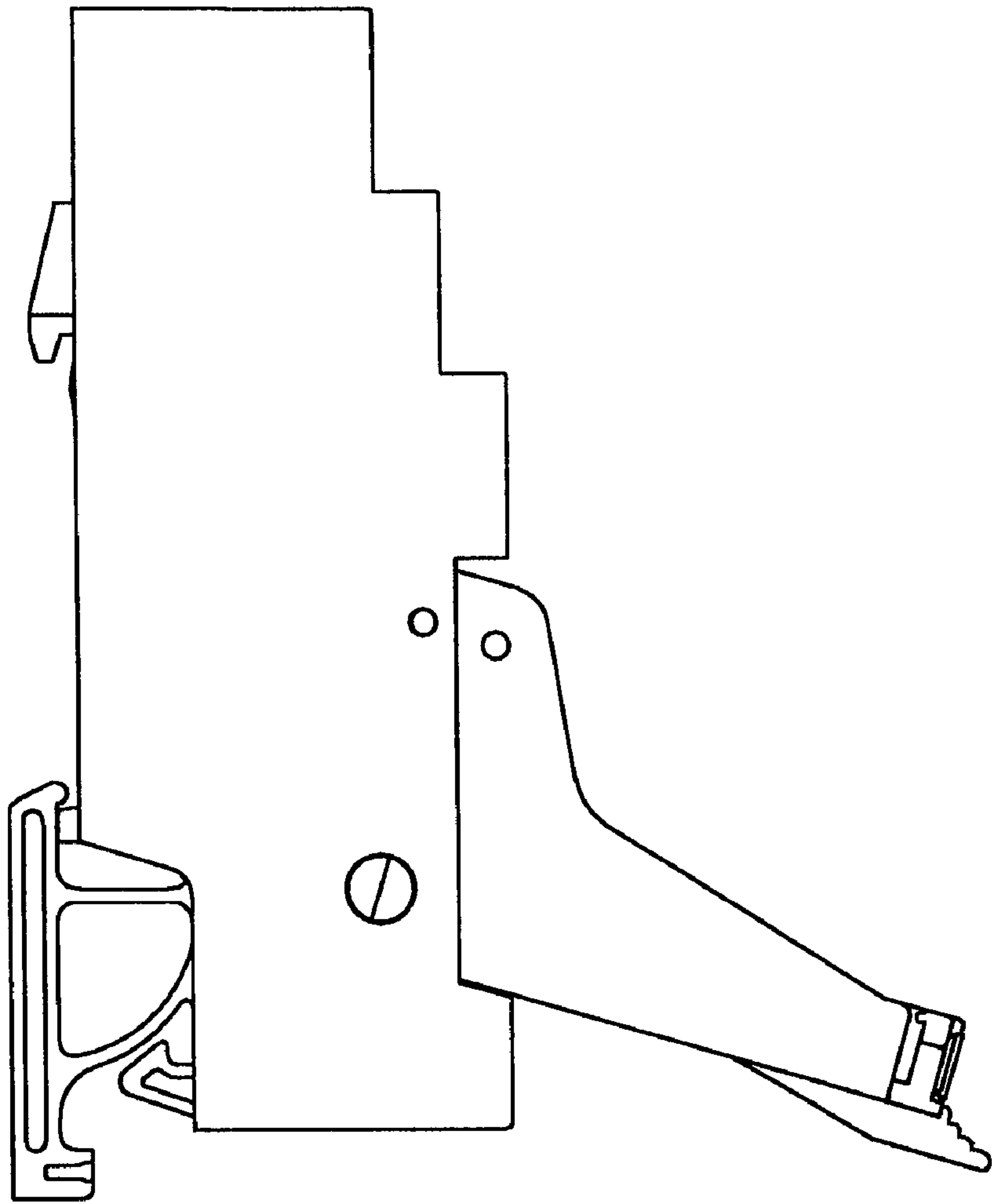
F i g . 5



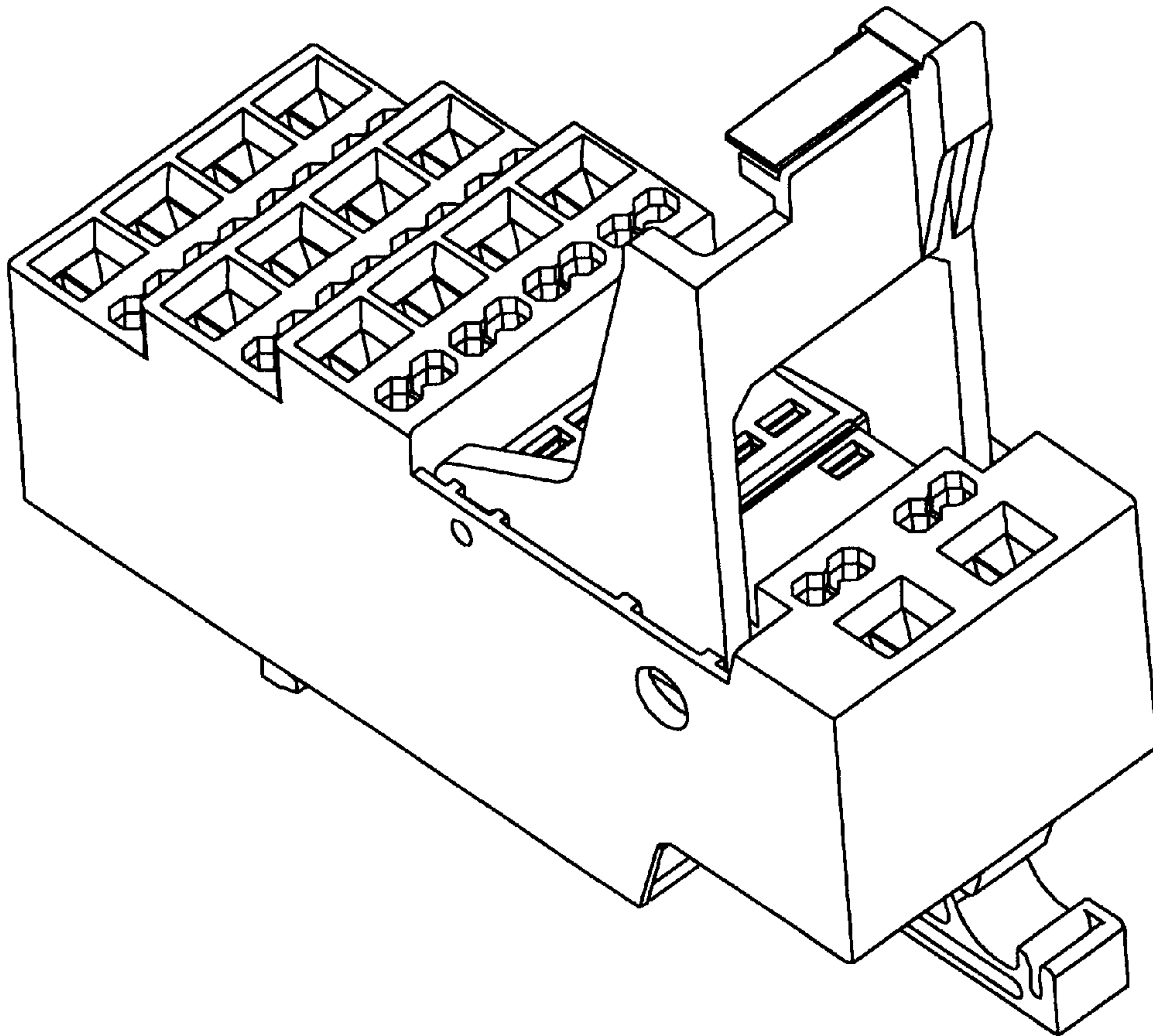
F i g . 6



F i g . 7



F i g . 8



F i g . 9

