



US00D471861S

(12) **United States Design Patent**
Tsubono

(10) **Patent No.:** **US D471,861 S**

(45) **Date of Patent:** **** Mar. 18, 2003**

(54) **TIRE FOR AUTOMOBILE**

(75) Inventor: **Fumihito Tsubono**, Kobe (JP)
(73) Assignee: **Sumitomo Rubber Industries, Ltd.**,
Hyogo (JP)
(**) Term: **14 Years**

(21) Appl. No.: **29/148,197**
(22) Filed: **Sep. 18, 2001**

(30) **Foreign Application Priority Data**
Mar. 29, 2001 (JP) 2001-008909

(51) **LOC (7) Cl.** **12-15**
(52) **U.S. Cl.** **D12/585**
(58) **Field of Search** D12/534, 547,
D12/548, 549, 550, 569, 582, 583, 584,
585; 152/209.1, 209.9, 209.25, 209.28

(56) **References Cited**

U.S. PATENT DOCUMENTS

D397,975 S * 9/1998 Himuro D12/588
D409,958 S * 5/1999 Gerresheim et al. D12/591
D436,331 S * 1/2001 Hanya D12/585

FOREIGN PATENT DOCUMENTS

JP S1090181 12/1998

OTHER PUBLICATIONS

Sumitomo SRXON4 Tire, 2001 Tread Design Guide, Jan. 2001, p. 67. 2/1.*

* cited by examiner

Primary Examiner—Robert M. Spear
(74) *Attorney, Agent, or Firm*—Birch, Stewart, Kolasch & Birch, LLP

(57) **CLAIM**

The ornamental design for a tire for automobile, as shown and described.

DESCRIPTION

FIG. 1 is a front view of a tire for automobile showing my new design;
FIG. 2 is a top plan view thereof;
FIG. 3 is a left side view thereof;
FIG. 4 is a right side view thereof;
FIG. 5 is a perspective view thereof;
FIG. 6 is an enlarged cross-sectional view taken along line 6—6 of FIG. 1; and,
FIG. 7 is an enlarged cross-sectional view taken along line 7—7 of FIG. 1.

1 Claim, 3 Drawing Sheets

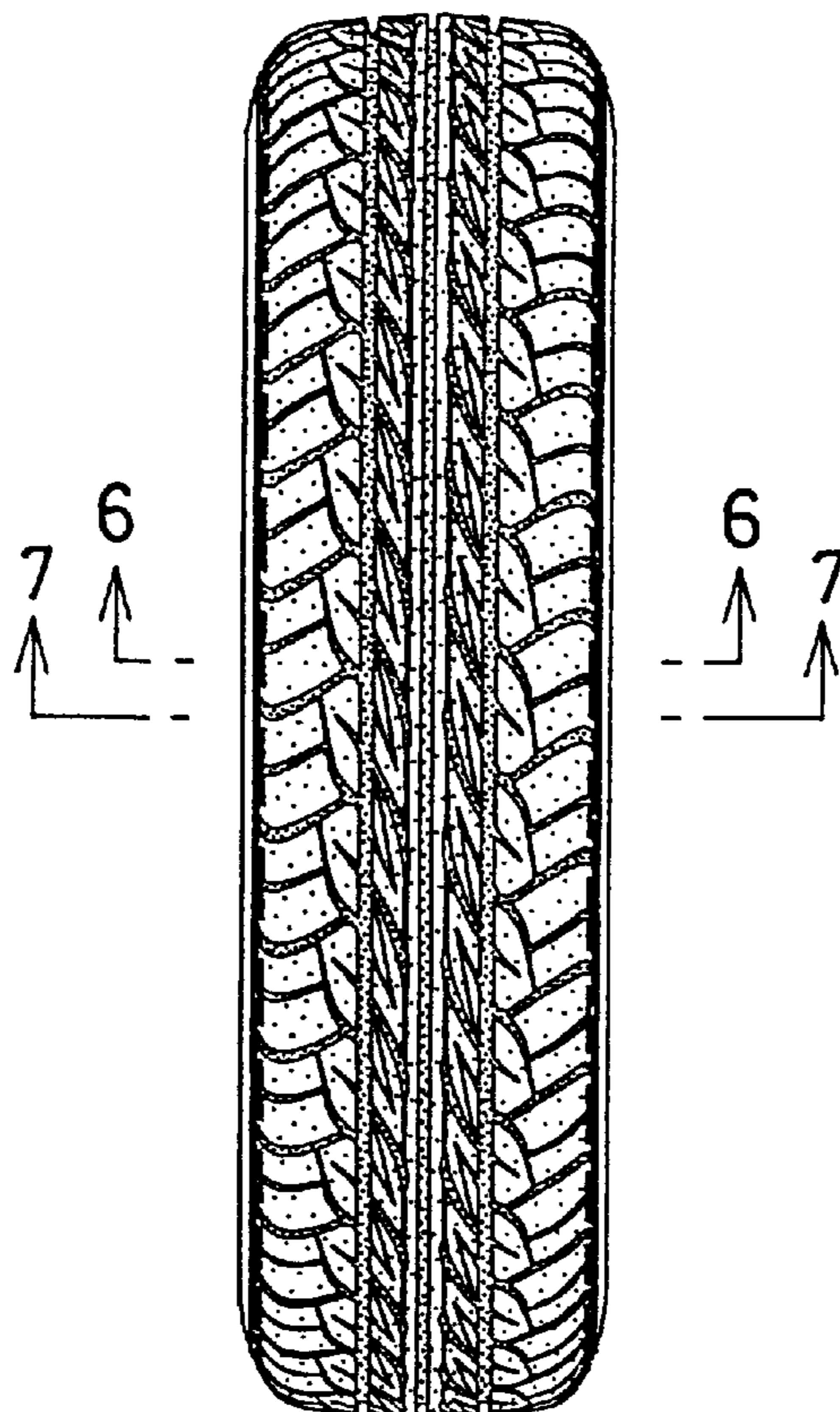


Fig. 1

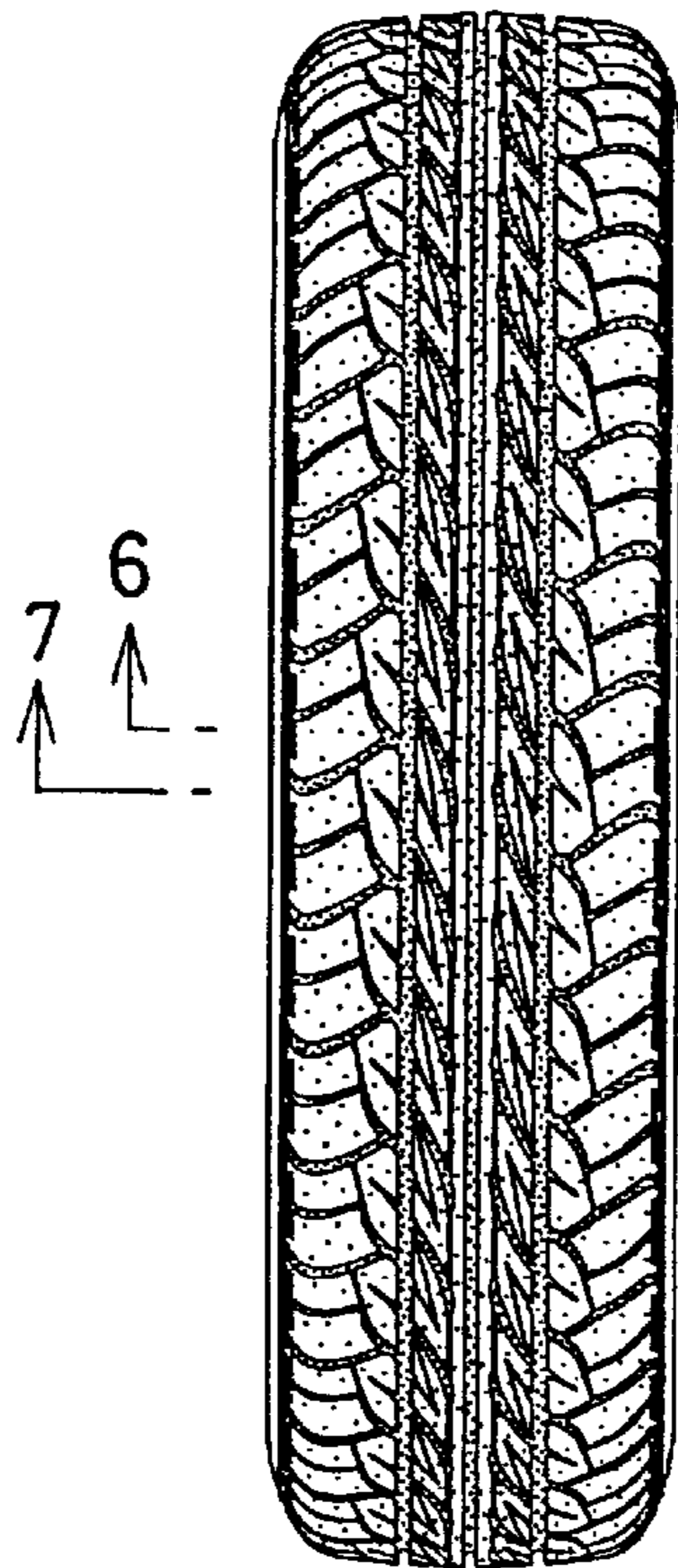


Fig. 2

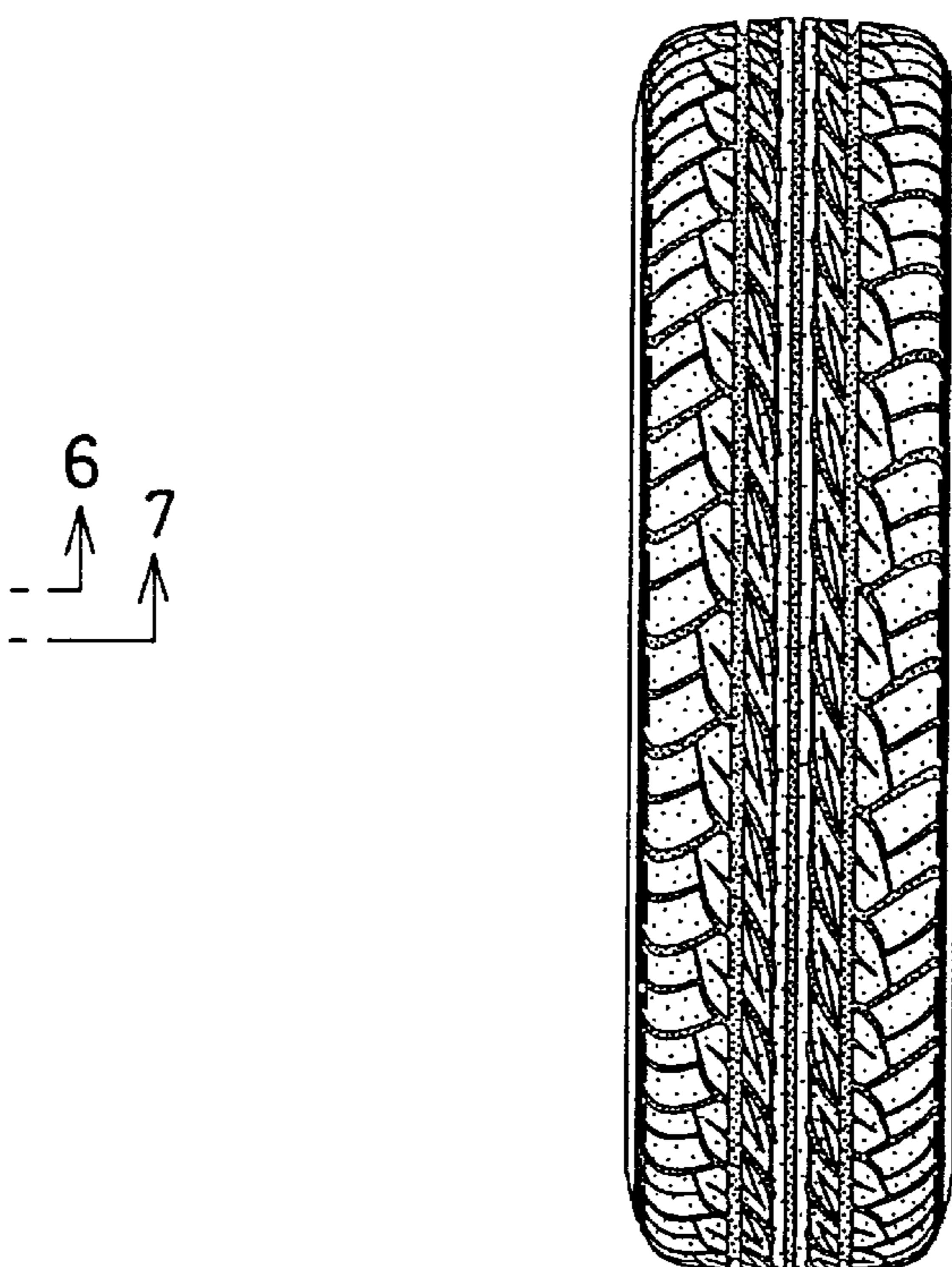


Fig. 3

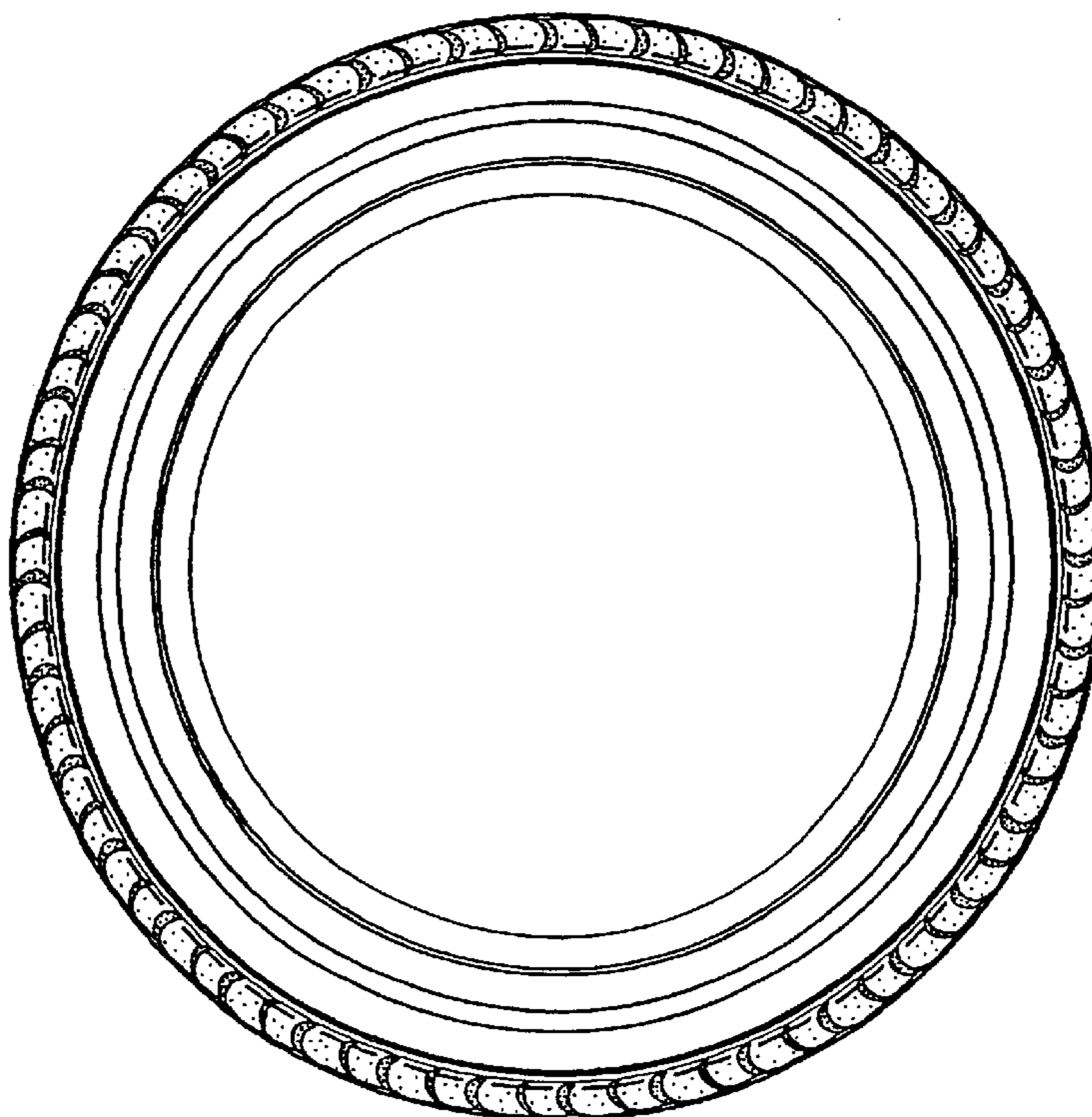


Fig. 4

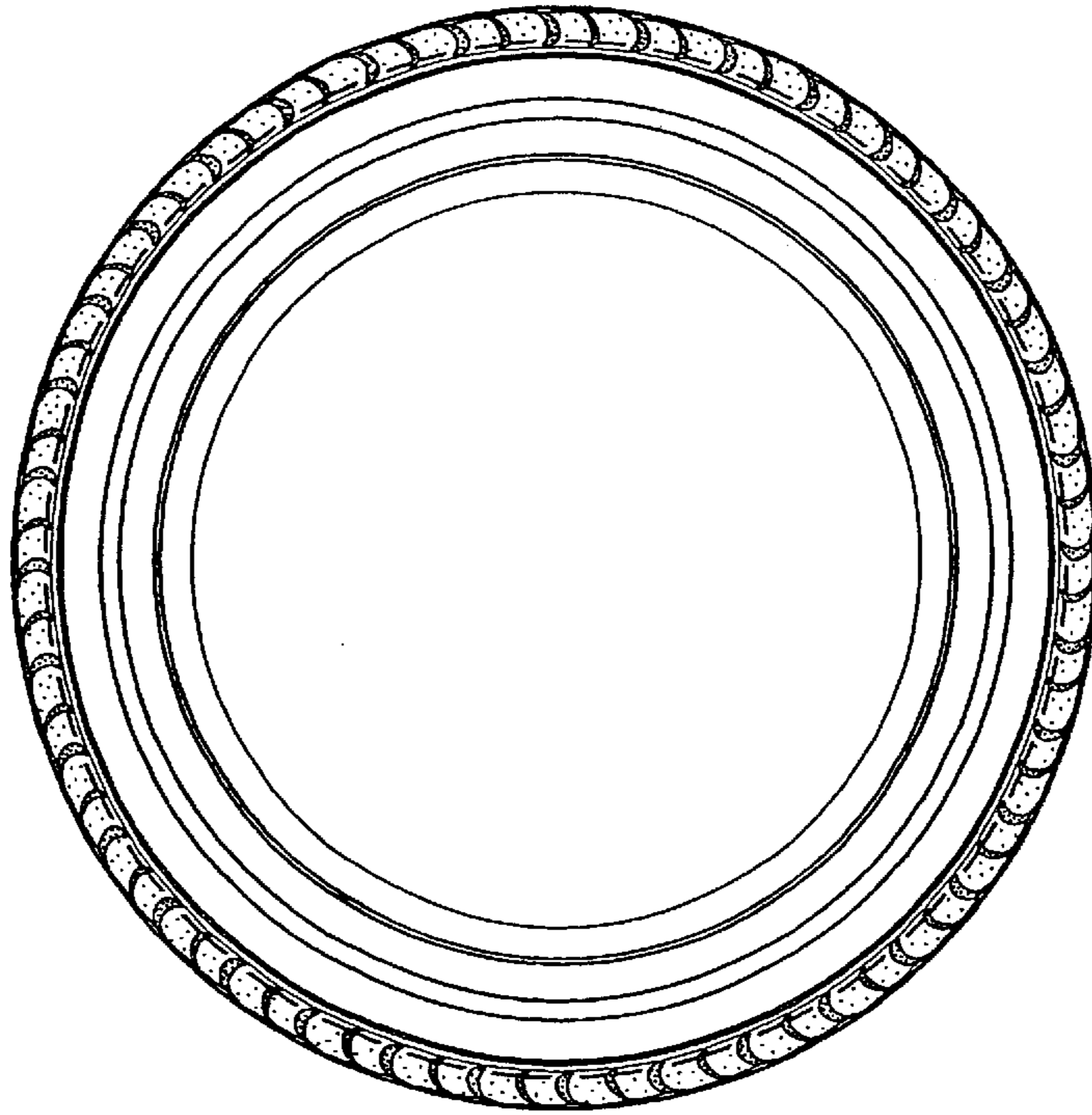


Fig. 5

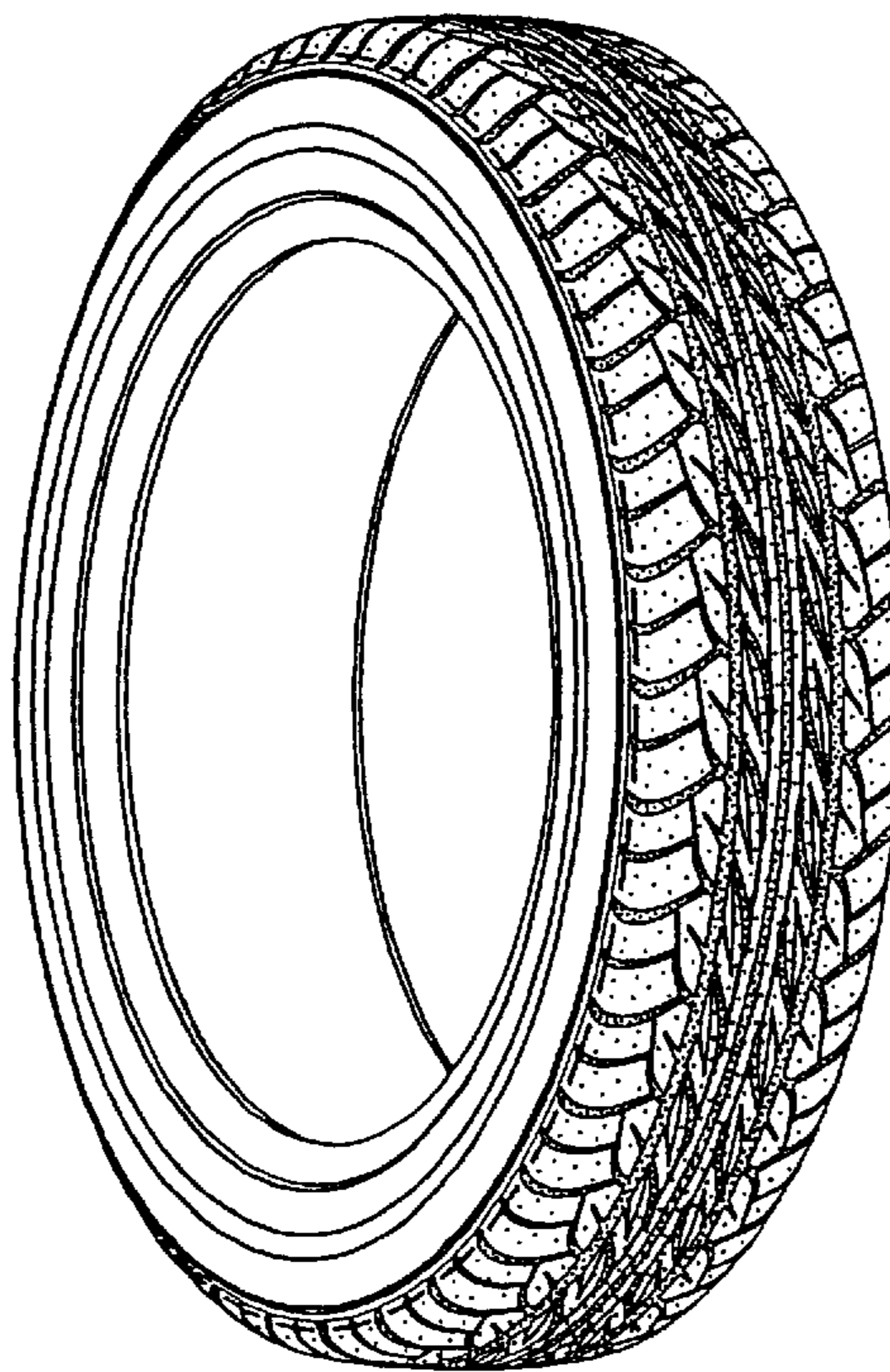


Fig. 6

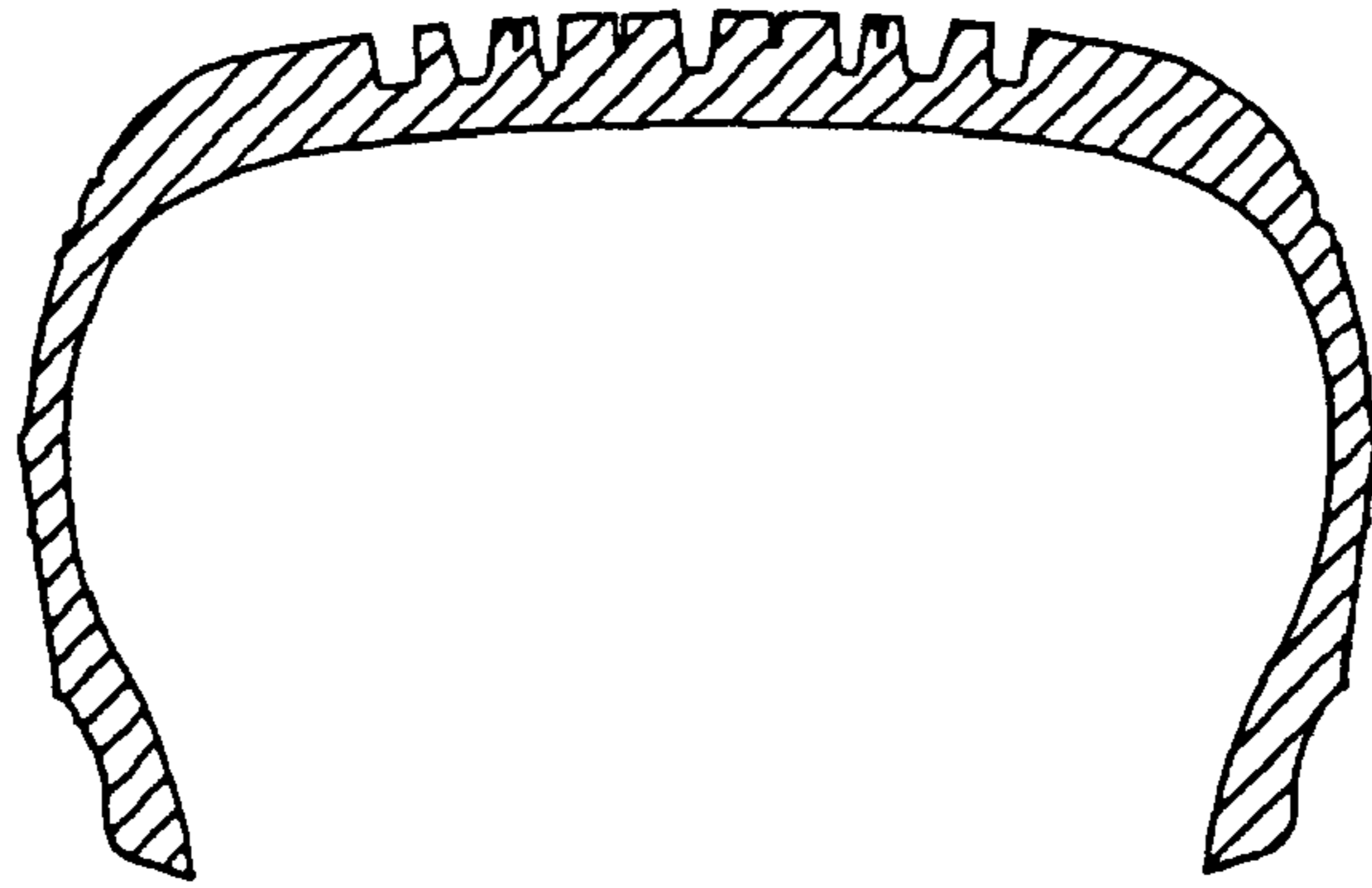


Fig. 7

