



US00D471856S

(12) **United States Design Patent**
Chiang

(10) **Patent No.:** **US D471,856 S**

(45) **Date of Patent:** **** Mar. 18, 2003**

(54) **CAR TRAY**

(76) Inventor: **Chin-Fu Chiang**, No. 182, Sec. 1,
Chin-Hwa Rd., Tainan City (TW)

(**) Term: **14 Years**

(21) Appl. No.: **29/157,676**

(22) Filed: **Mar. 22, 2002**

(51) **LOC (7) Cl.** **12-16**

(52) **U.S. Cl.** **D12/416**

(58) **Field of Search** D12/416, 419-426;
D6/335-336, 406, 333; 224/275, 497-499,
482; 297/125, 135, 146, 188.1, 463.1, 463.2;
296/37.8, 37.13; 108/46, 47; D7/553.4

(56) **References Cited**

U.S. PATENT DOCUMENTS

2,904,378	A	*	9/1959	MacIver	D12/416	X
3,232,250	A	*	2/1966	Hamilton et al.	D12/416	X
3,233,563	A	*	2/1966	Mauchline	D12/416	X
D206,449	S	*	12/1966	Terry	D12/416	
D344,625	S	*	3/1994	Berry	D12/416	
5,678,741	A	*	10/1997	Schieber	224/275	
D393,242	S	*	4/1998	Wood	D12/416	

D401,214	S	*	11/1998	Benavidez et al.	D12/416	
D415,995	S	*	11/1999	Kanehl, Jr.	D12/419	
D419,520	S	*	1/2000	Bergh	D12/416	

* cited by examiner

Primary Examiner—Stacia Cadmus

(74) *Attorney, Agent, or Firm*—Jenkins & Gilchrist, P.C.

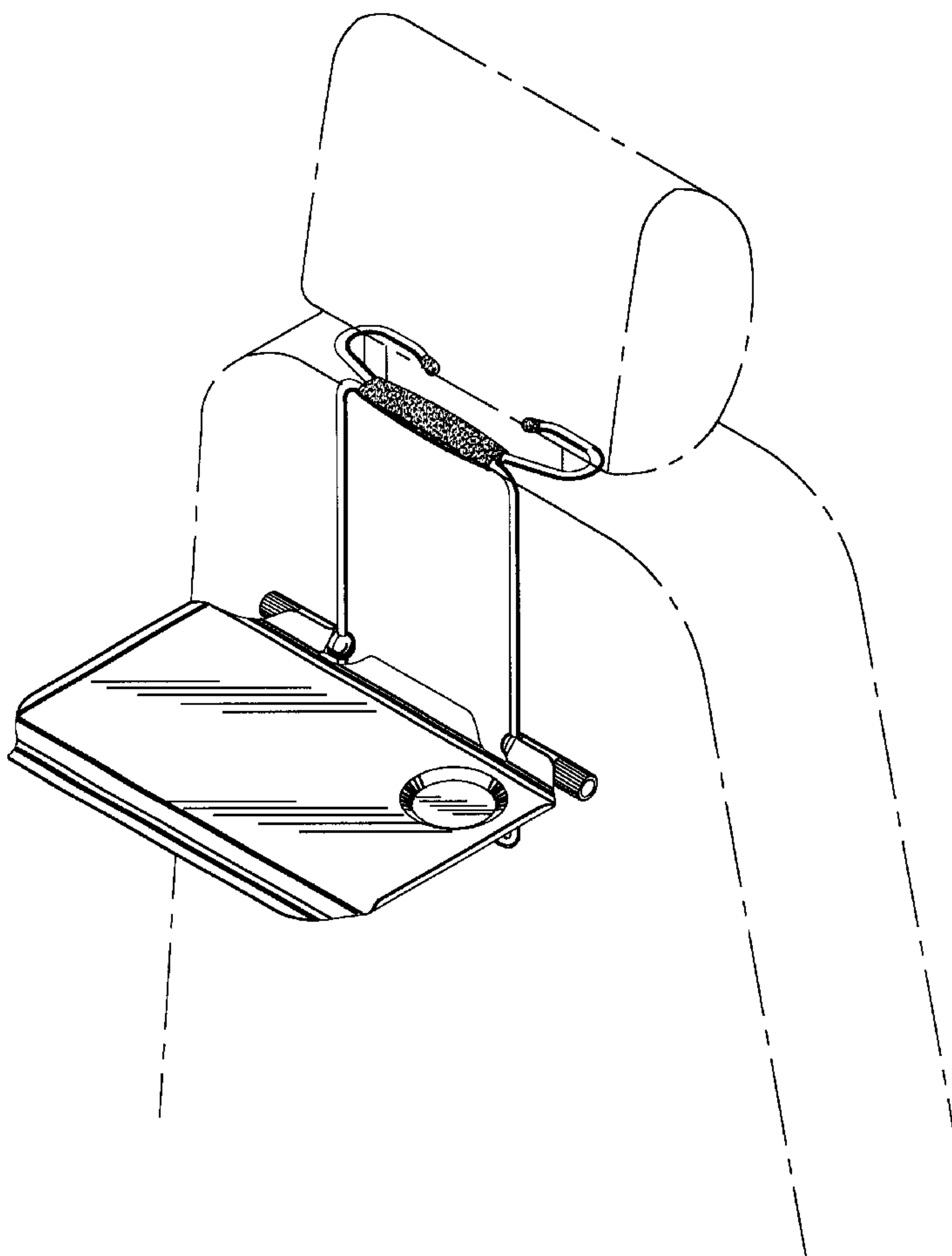
(57) **CLAIM**

The ornamental design for a car tray, as shown and described.

DESCRIPTION

FIG. 1 is a perspective view of car tray showing my new design;
FIG. 2 is a front elevational view thereof;
FIG. 3 is a rear elevational view thereof;
FIG. 4 is a left side elevational view thereof;
FIG. 5 is a right side elevational view thereof;
FIG. 6 is a top plan view thereof; and
FIG. 7 is a bottom plan view thereof; and,
FIG. 8 is another perspective view in use.
The broken line showing of environment is for illustrative purposes only and forms no part of the claimed design.

1 Claim, 6 Drawing Sheets



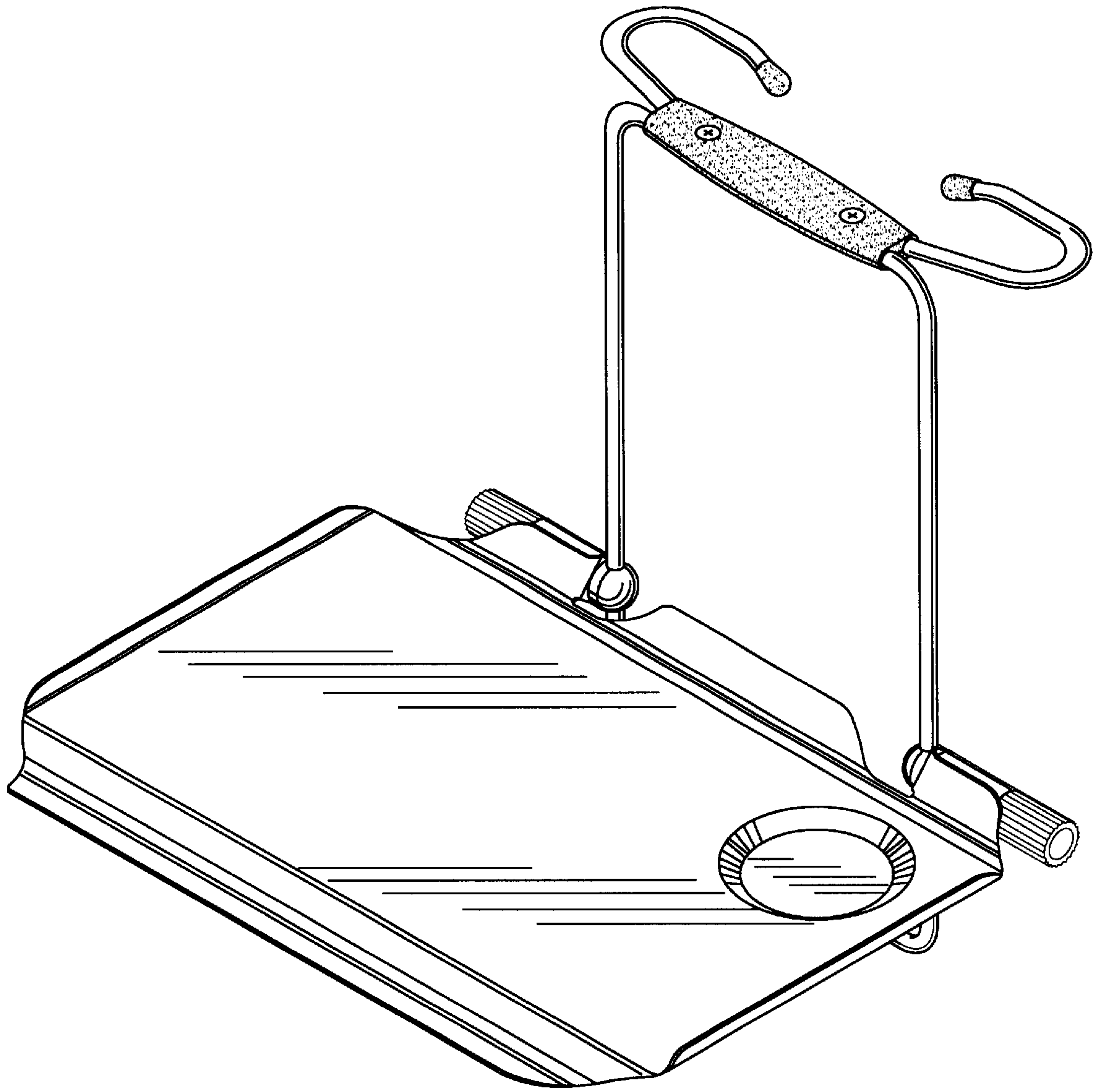


FIG. 1

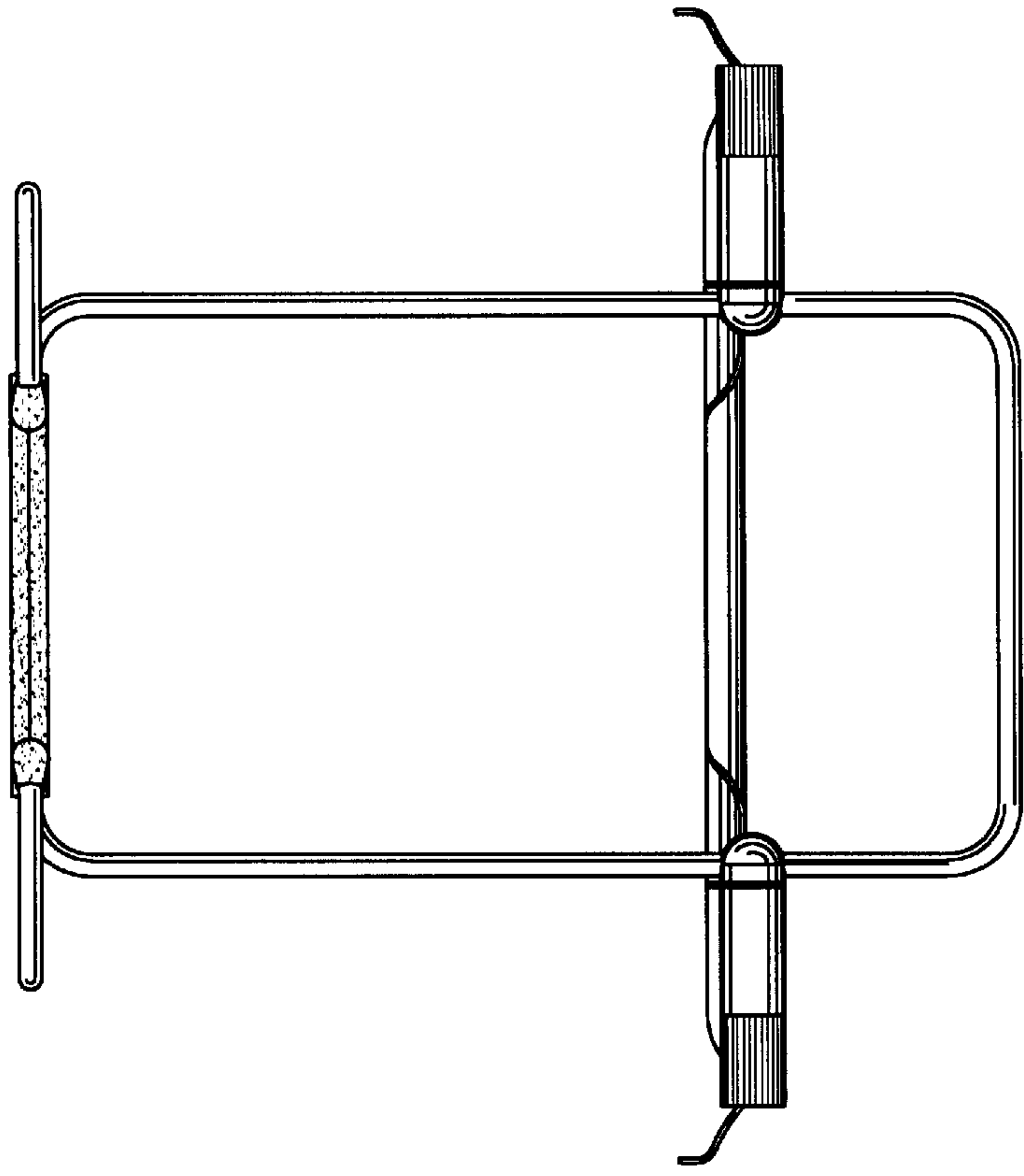


FIG. 3

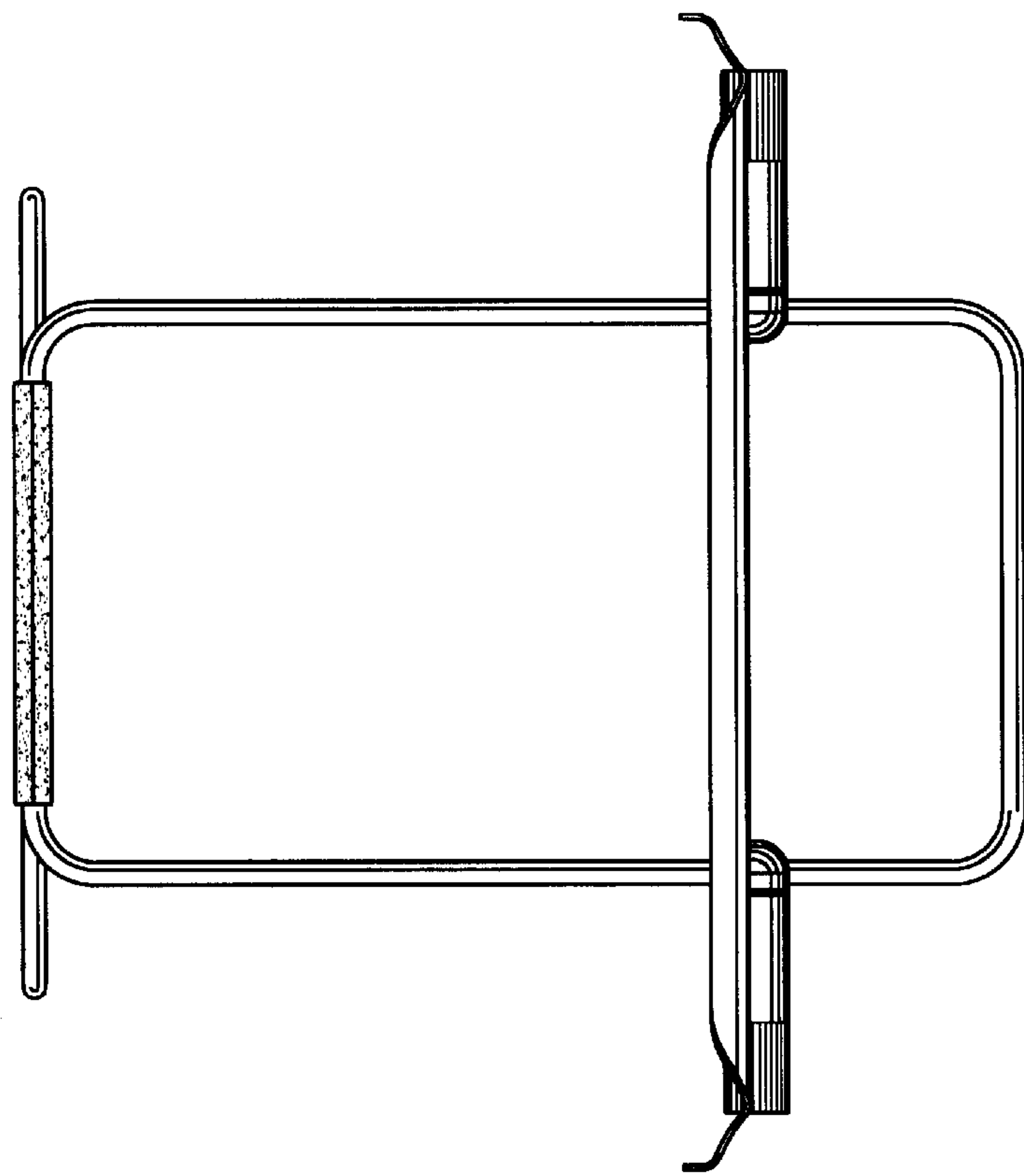


FIG. 2

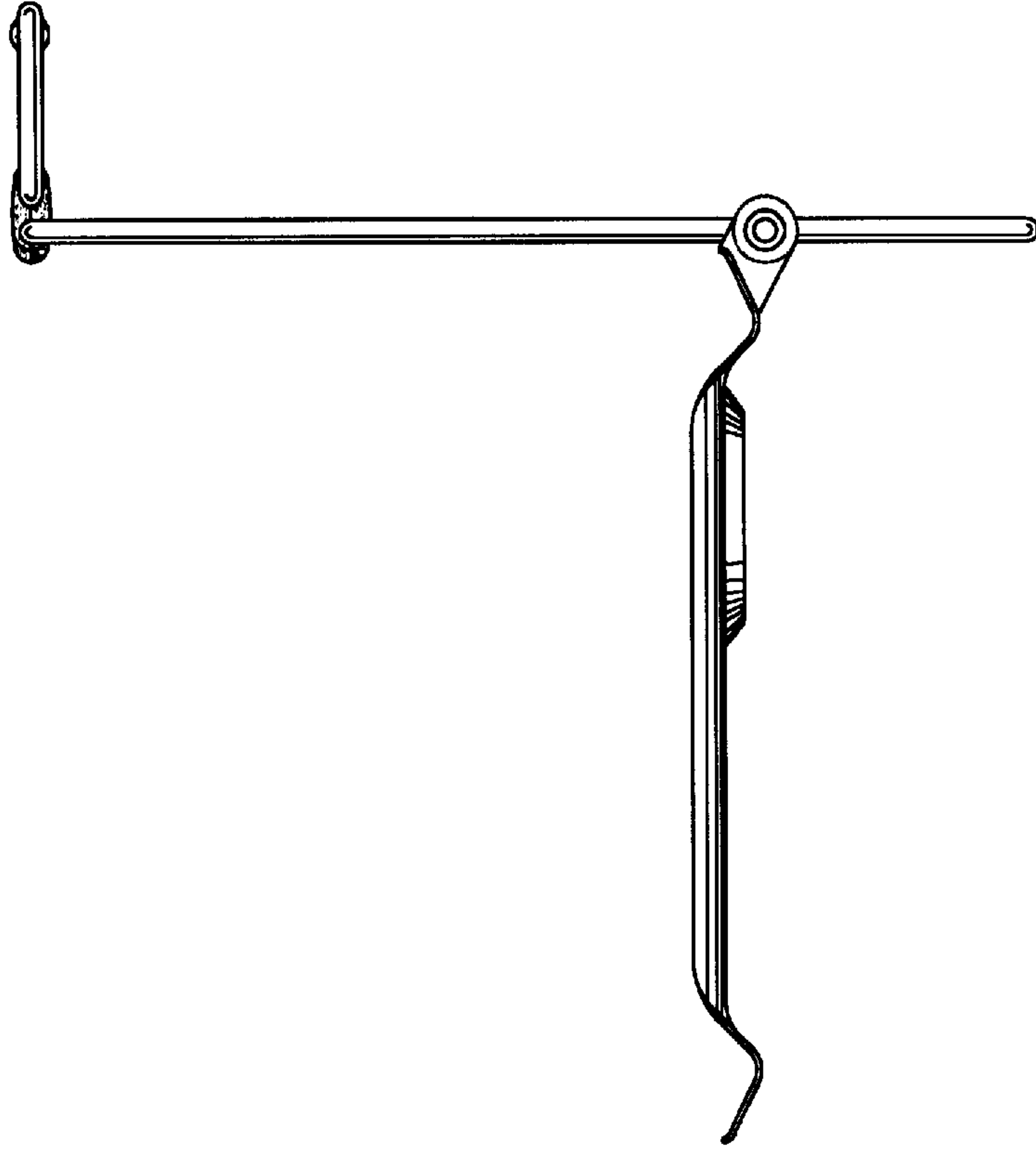


FIG. 5

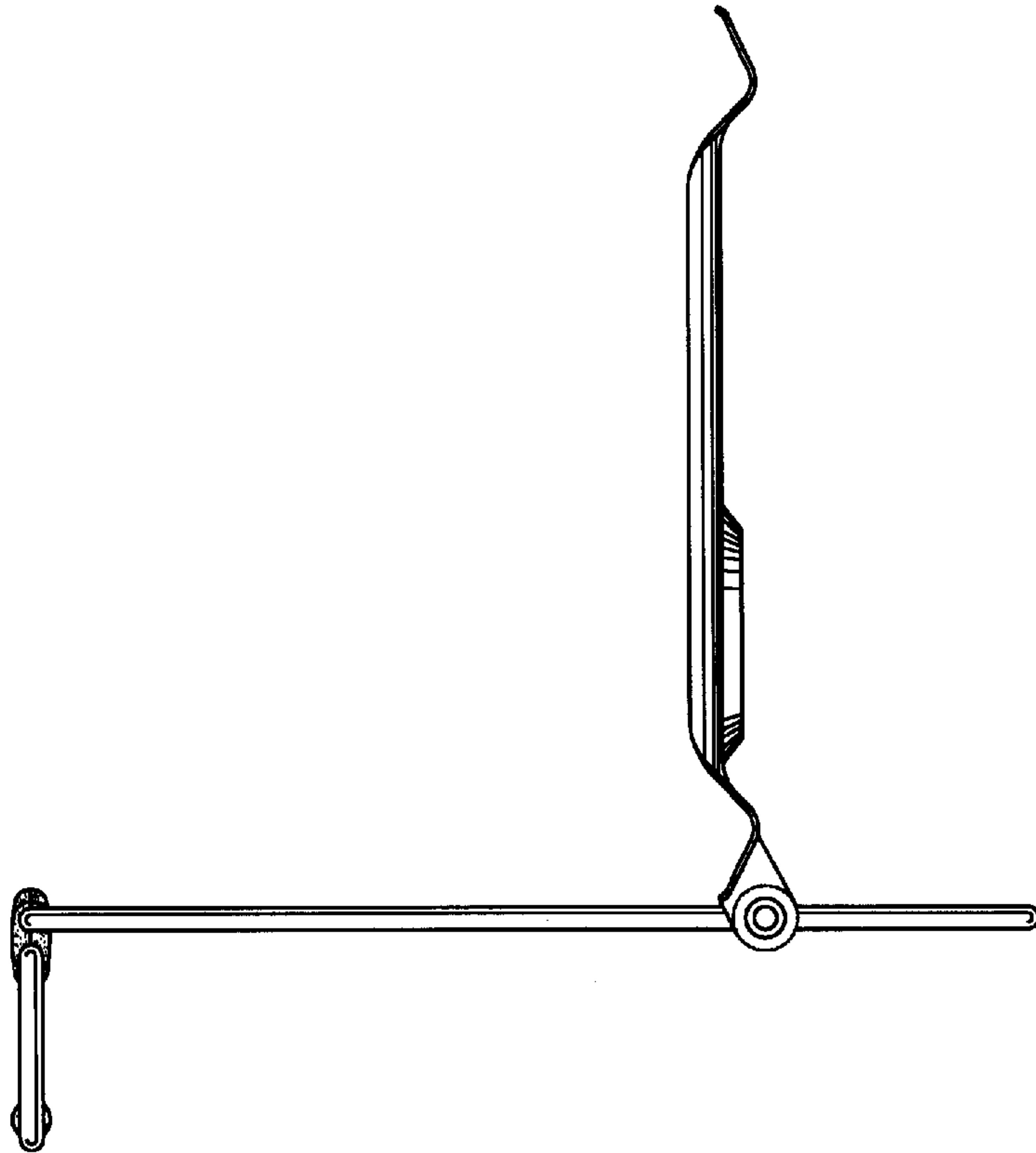


FIG. 4

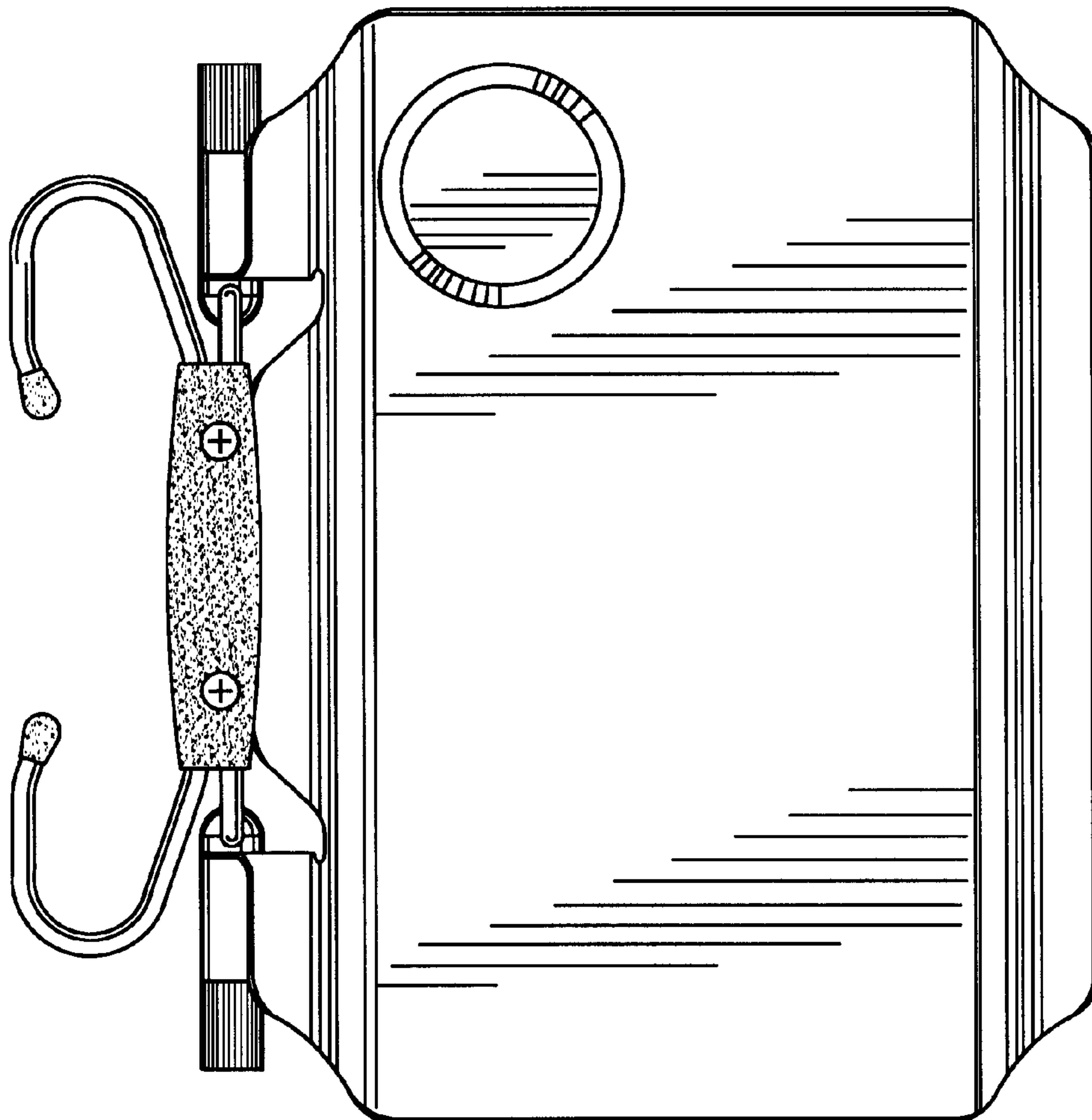


FIG. 6

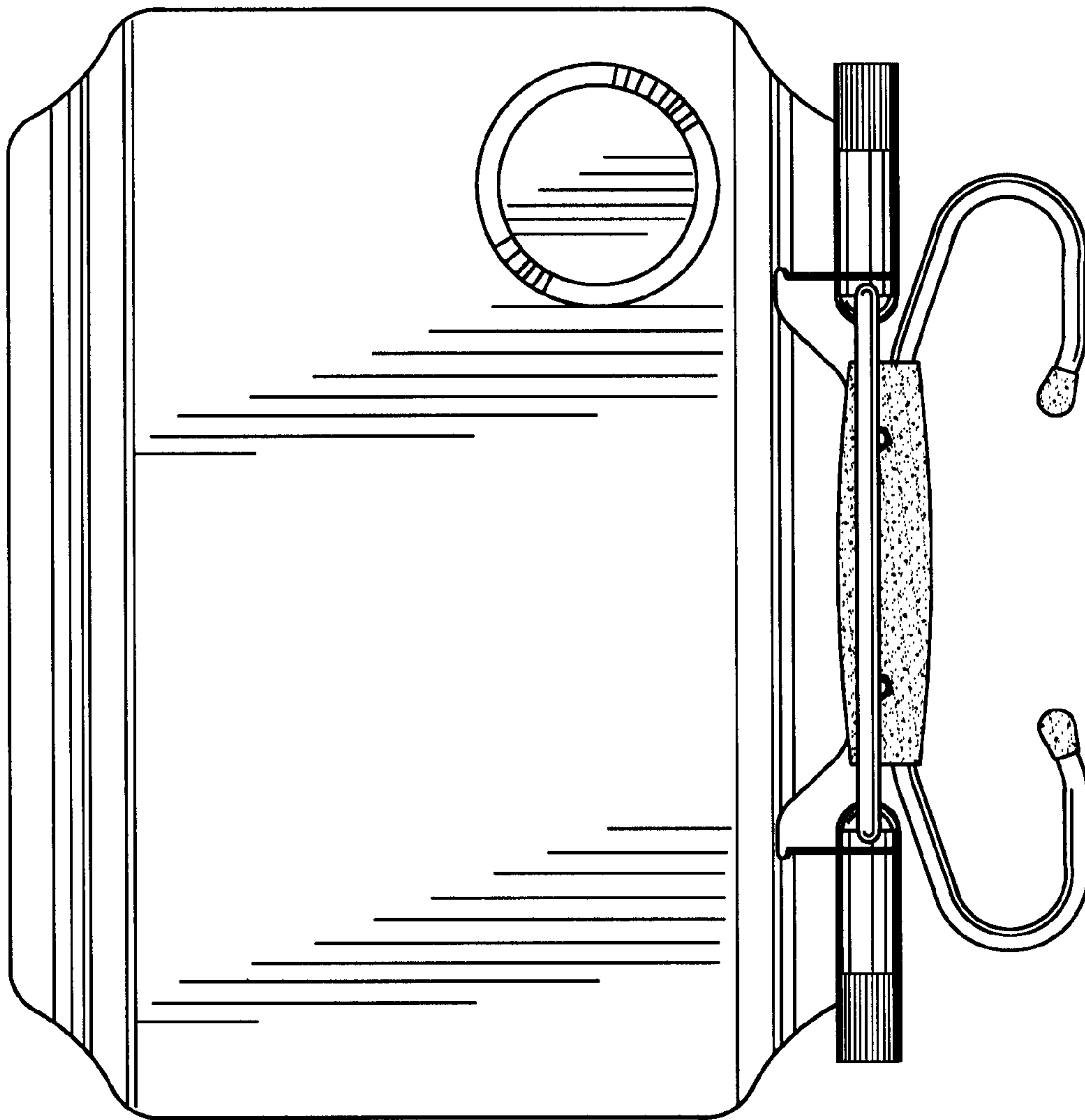


FIG. 7

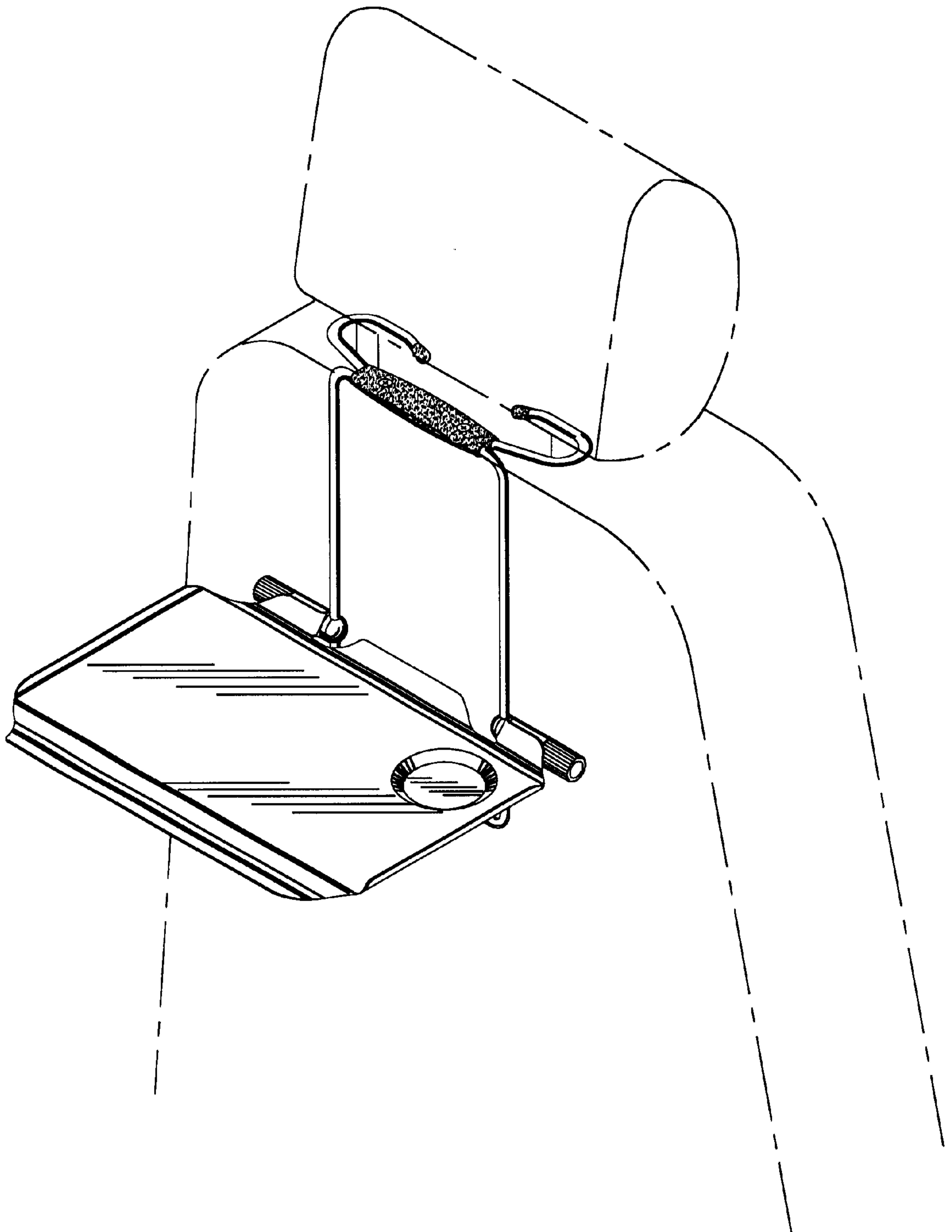


FIG. 8