



US00D471855S

(12) **United States Design Patent**
Shugar et al.

(10) **Patent No.:** **US D471,855 S**

(45) **Date of Patent:** **** Mar. 18, 2003**

(54) **HANDHOLD FOR ELECTRIC CART ROOF**

Primary Examiner—Stacia Cadmus

(75) Inventors: **Daniel S. Shugar**, San Bruno, CA (US); **Thomas L. Dinwoodie**, Piedmont, CA (US); **Steven T. Slavsky**, Natick, MA (US)

(74) *Attorney, Agent, or Firm*—James F. Hann; Haynes Beffel & Wolfeld LLP

(73) Assignee: **Powerlight Corporation**, Berkeley, CA (US)

(57) **CLAIM**

The ornamental design for a handhold for electric cart roof, as shown and described.

(**) Term: **14 Years**

DESCRIPTION

(21) Appl. No.: **29/137,299**

The handhold for electric cart roof is used as a portion of a roof for electric vehicles, in particular golf carts.

(22) Filed: **Feb. 16, 2001**

(51) **LOC (7) Cl.** **12-16**

(52) **U.S. Cl.** **D12/401**

(58) **Field of Search** D12/401, 403-404; 296/210, 216, 78.1, 213, 102; 280/DIG. 5-6, DIG. 1; 180/89.1; D8/300, 303, 315-320

FIG. 1 is a right side elevational, rear elevational, bottom plan isometric view of a pair of handholds for electric cart roof showing my new design, the remainder of an electric cart roof being shown in dashed lines for environmental purposes only;

(56) **References Cited**

U.S. PATENT DOCUMENTS

| | | | |
|--------------|----------|------------------|---------------|
| 5,094,500 A | 3/1992 | Maypole et al. | |
| D330,350 S | 10/1992 | Maypole et al. | |
| D377,596 S | * 1/1997 | Simon et al. | D8/315 |
| D394,637 S | 5/1998 | Camiano | |
| D431,018 S | 9/2000 | Maypole | |
| 6,186,584 B1 | 2/2001 | Samuelson et al. | |
| D453,727 S | * 2/2002 | Shugar et al. | D12/401 |

FIG. 2 is an enlarged view of the right side handhold of FIG. 1;

FIG. 3 is an enlarged view of the left side handhold of FIG. 1;

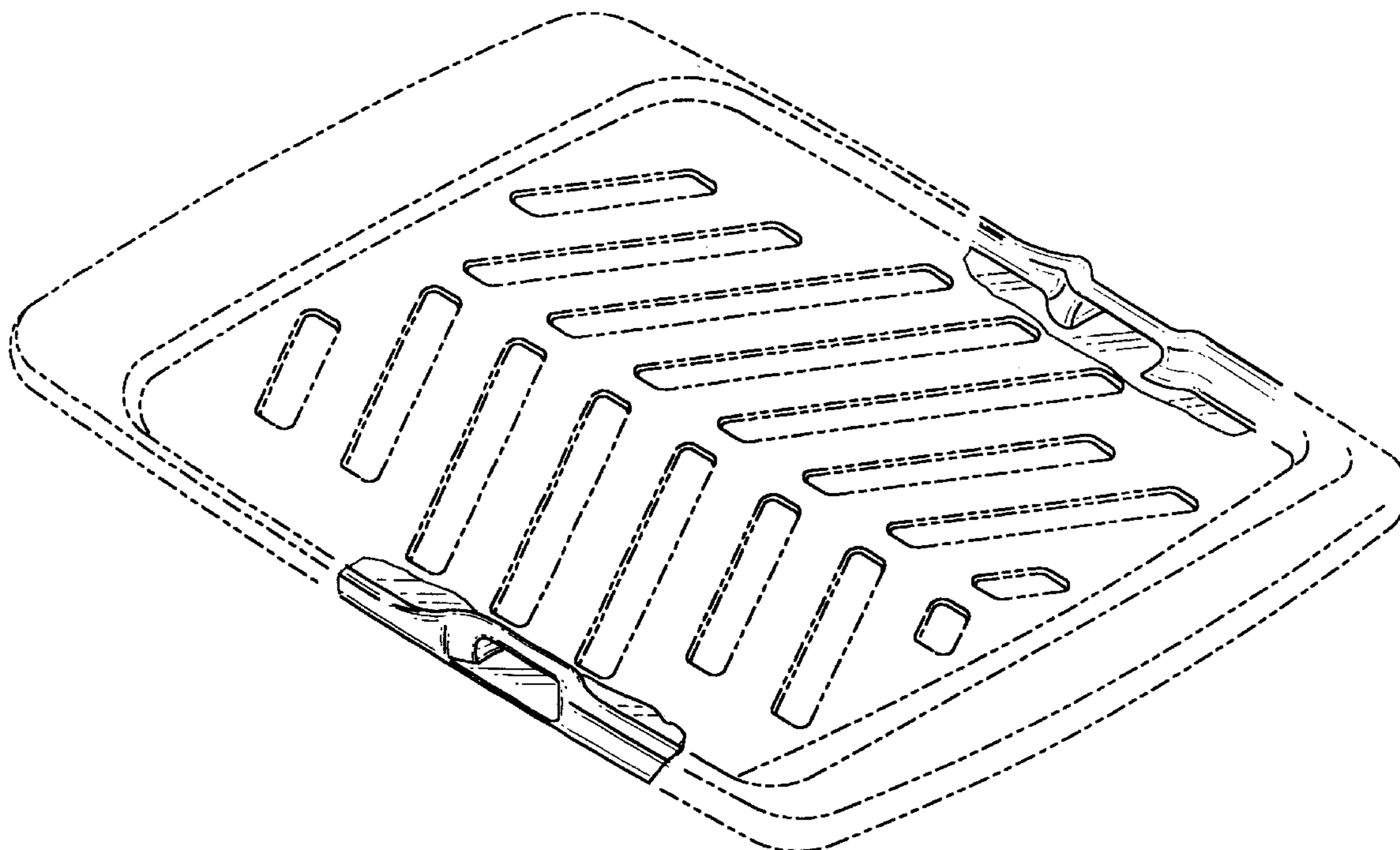
FIG. 4 is a right side elevational view thereof, the left side elevational view being a mirror image thereof;

FIG. 5 is a rear bottom plan thereof; and,

FIG. 6 is a simplified cross-sectional view thereof taken along line 6-6 of FIG. 4.

* cited by examiner

1 Claim, 3 Drawing Sheets



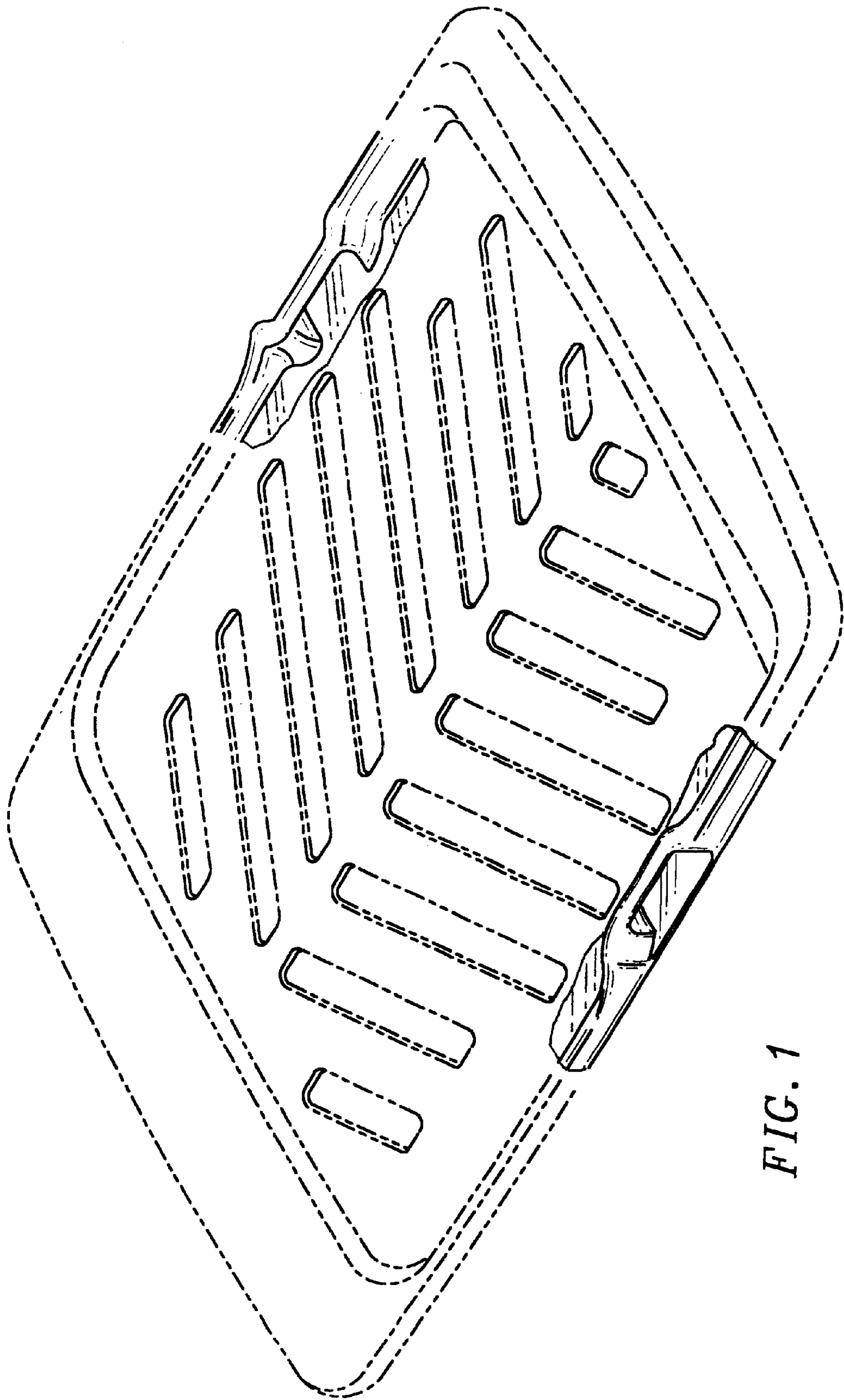


FIG. 1

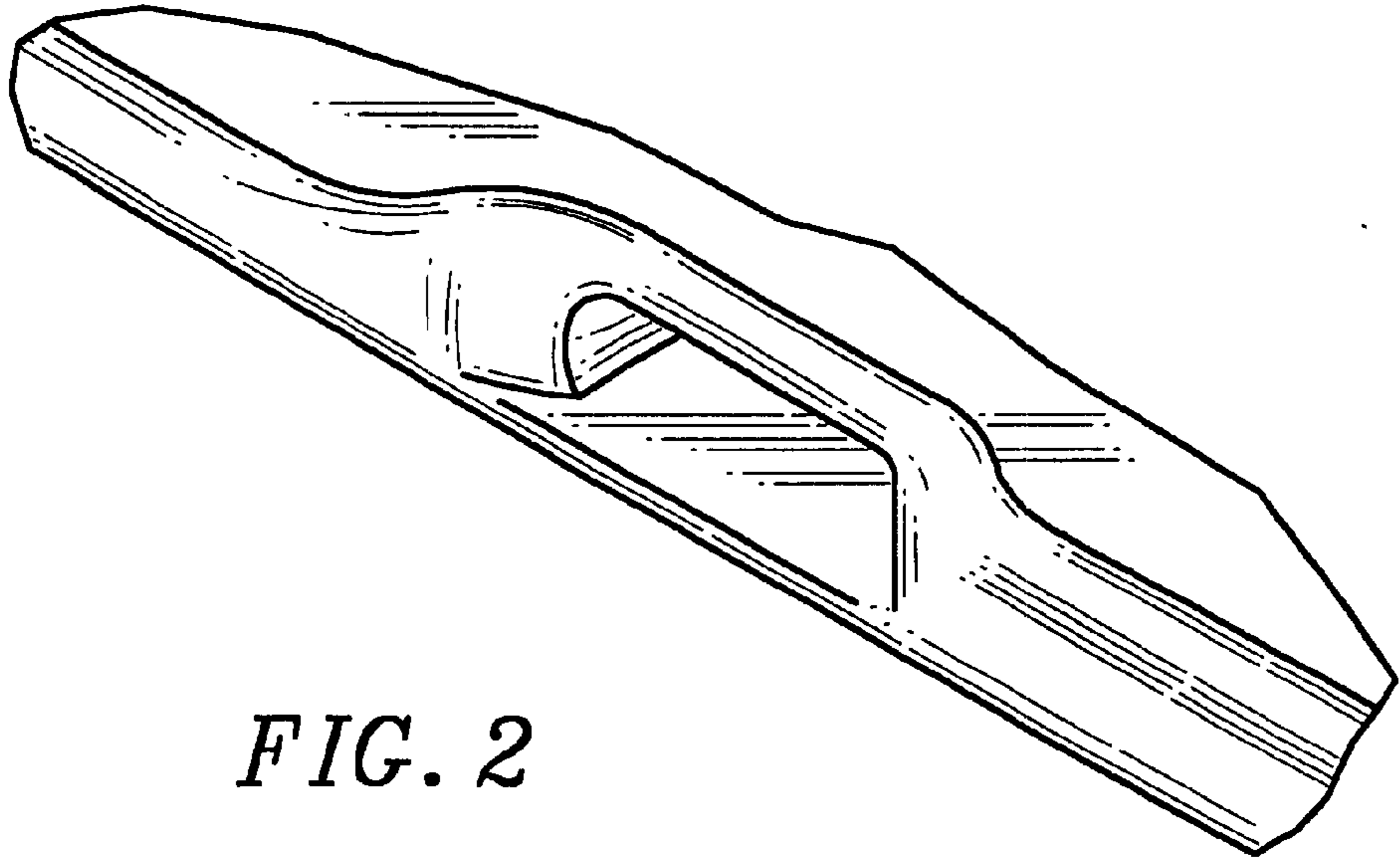


FIG. 2

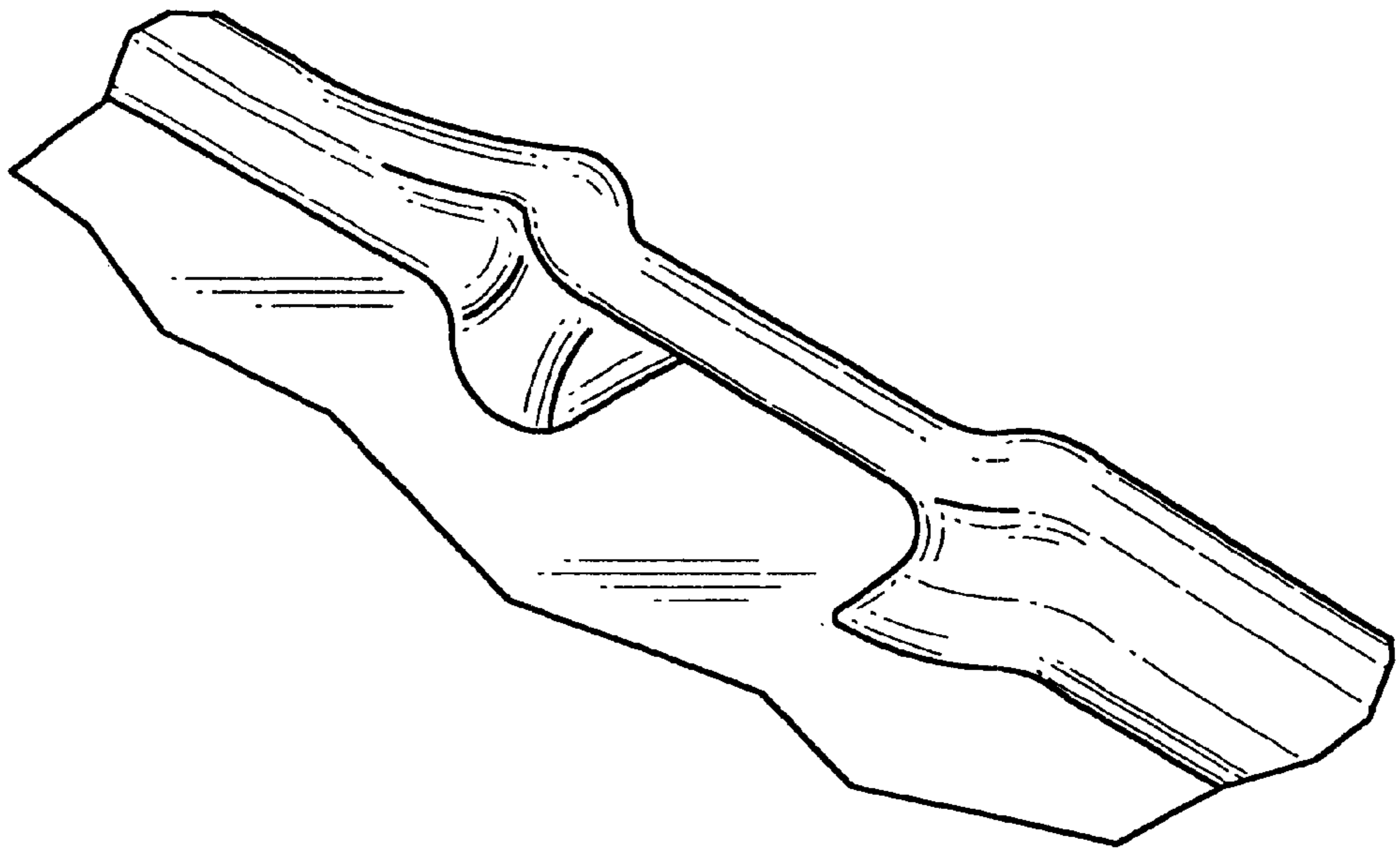


FIG. 3

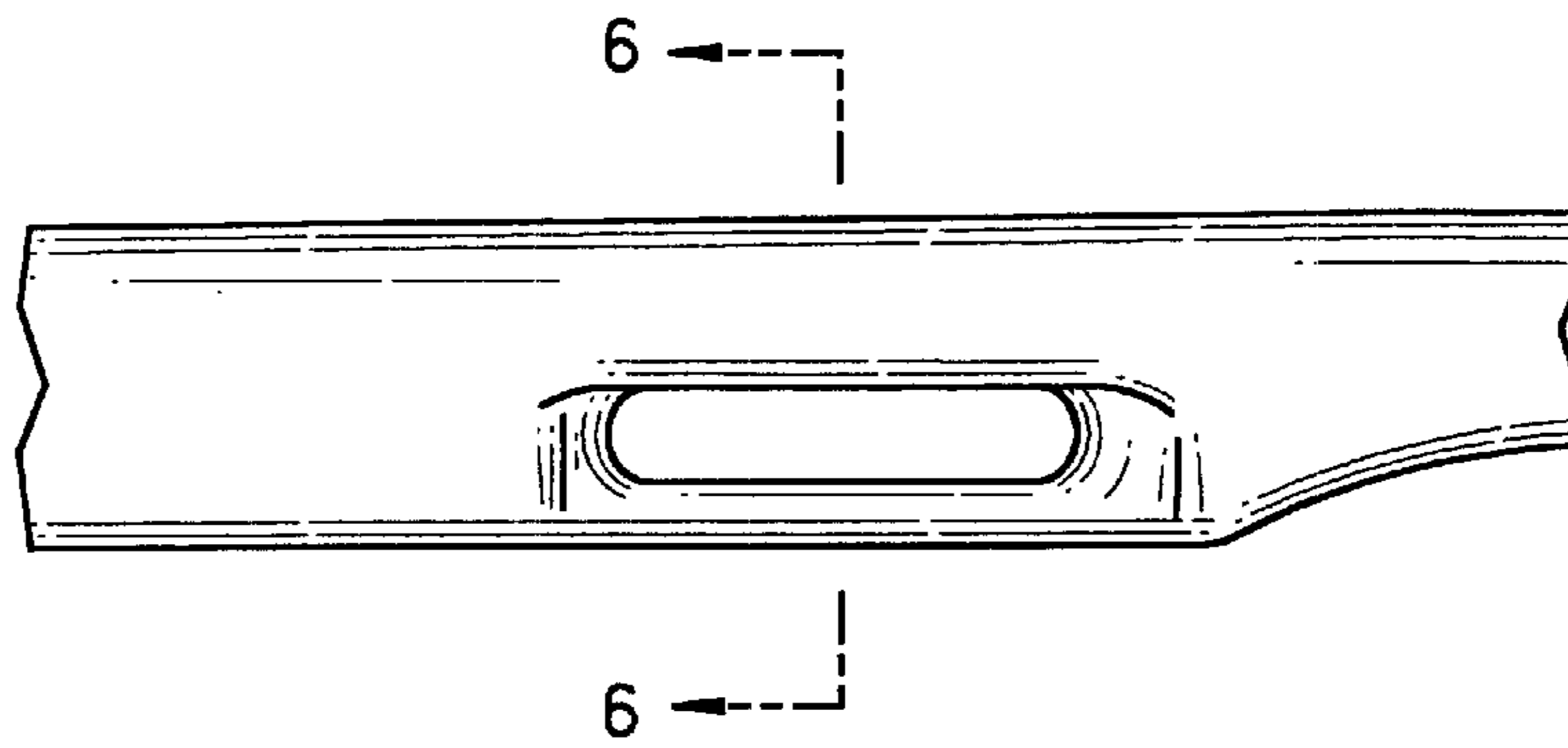


FIG. 4

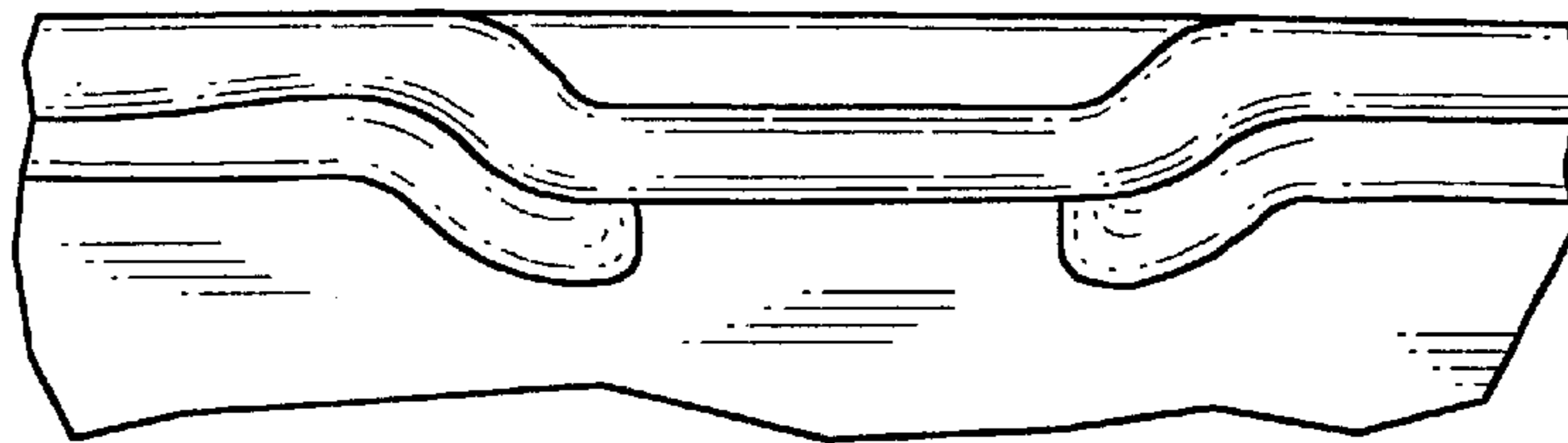


FIG. 5

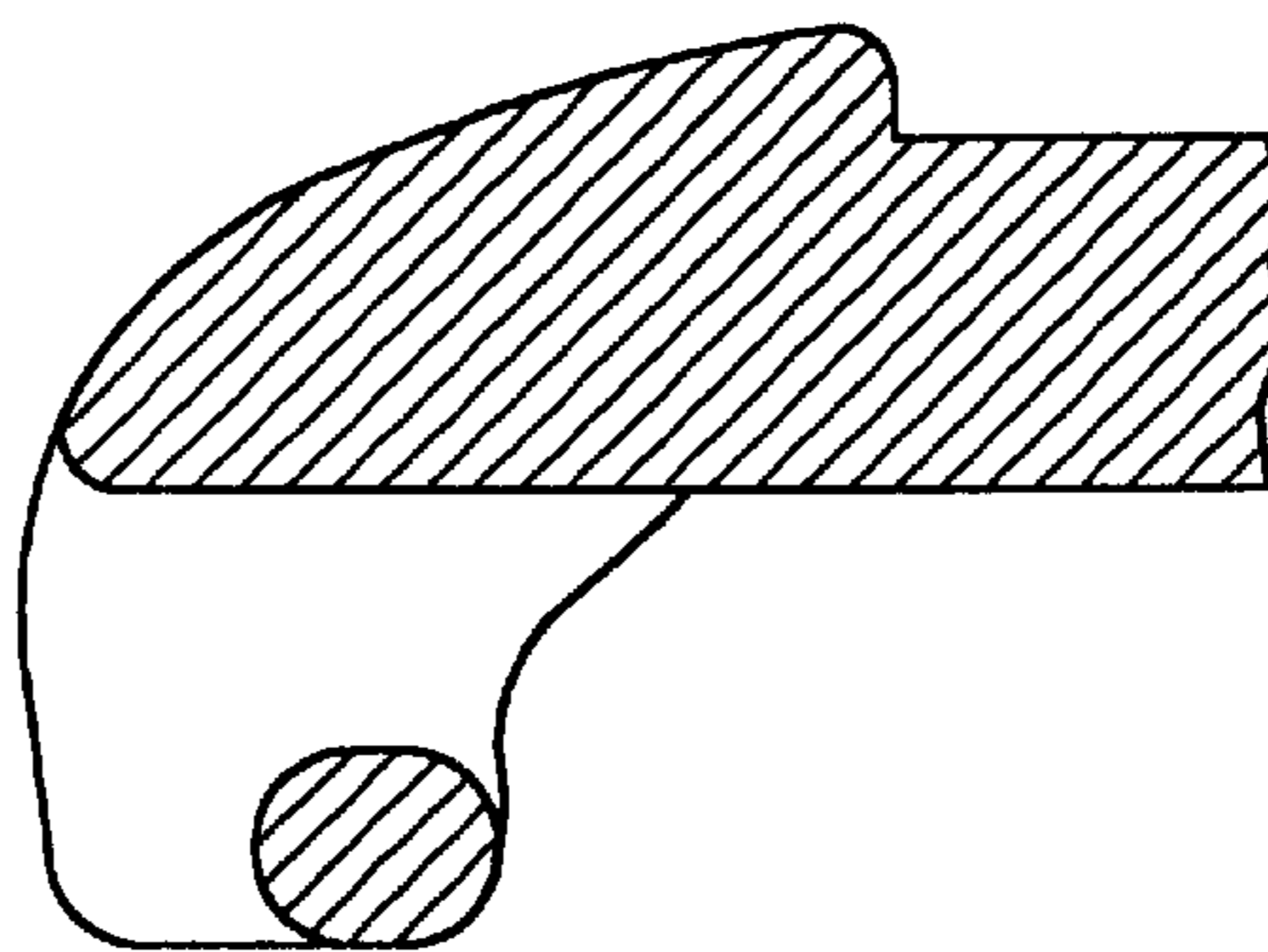


FIG. 6