



US00D471852S

(12) **United States Design Patent**  
**Pfeiffer et al.**

(10) **Patent No.:** **US D471,852 S**

(45) **Date of Patent:** **\*\* Mar. 18, 2003**

(54) **FRONT FACE OF A VEHICLE WHEEL**

(75) Inventors: **Peter Pfeiffer**, Boeblingen (DE); **Murat Guenak**, Ehningen (DE); **Franz Lecher**, Sindelfingen (DE); **Michael Plessing**, Renningen (DE)

(73) Assignee: **DaimlerChrysler AG**, Stuttgart (DE)

(\*\*) Term: **14 Years**

(21) Appl. No.: **29/140,233**

(22) Filed: **Apr. 16, 2001**

(30) **Foreign Application Priority Data**

Oct. 16, 2000 (DE) ..... 4 00 09 768

(51) **LOC (7) Cl.** ..... **12-16**

(52) **U.S. Cl.** ..... **D12/211**

(58) **Field of Search** ..... D12/204-211;  
301/37.1, 64.1, 65

(56) **References Cited**

**U.S. PATENT DOCUMENTS**

D84,322 S	*	6/1931	Beutke et al.	.....	D12/209
D208,542 S	*	9/1967	Halibrand	.....	D12/211
D337,563 S	*	7/1993	Boselli	.....	D12/209
D363,910 S	*	11/1995	Chung	.....	D12/209
D388,047 S	*	12/1997	Pfeiffer et al.	.....	D12/211
D396,208 S	*	7/1998	Baumgartner et al.	.....	D12/211
D408,346 S	*	4/1999	Goplen	.....	D12/211

D409,968 S	*	5/1999	Goplen	.....	D12/211
D418,473 S	*	1/2000	Chung	.....	D12/211
D423,441 S	*	4/2000	Bildhaeuser	.....	D12/209
D424,500 S	*	5/2000	Johnson	.....	D12/209
D449,267 S	*	10/2001	Fitzgerald	.....	D12/211
D450,030 S	*	11/2001	Pfeiffer	.....	D12/211
D451,066 S	*	11/2001	Pfeiffer et al.	.....	D12/211
D454,107 S	*	3/2002	Chung	.....	D12/211
D454,825 S	*	3/2002	Amatino	.....	D12/211

\* cited by examiner

*Primary Examiner*—Stacia Cadmus

(74) *Attorney, Agent, or Firm*—Crowell & Moring LLP

(57) **CLAIM**

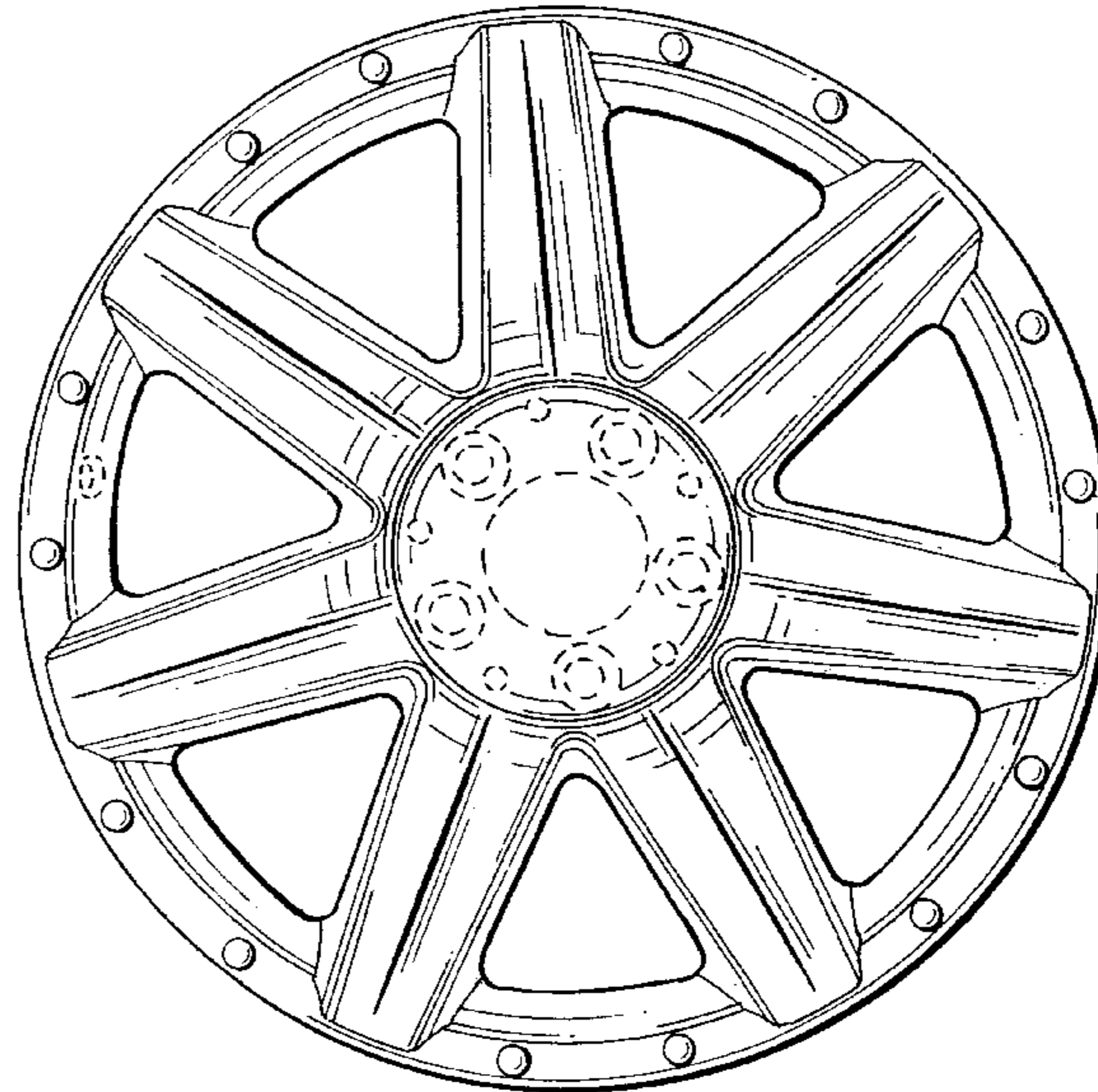
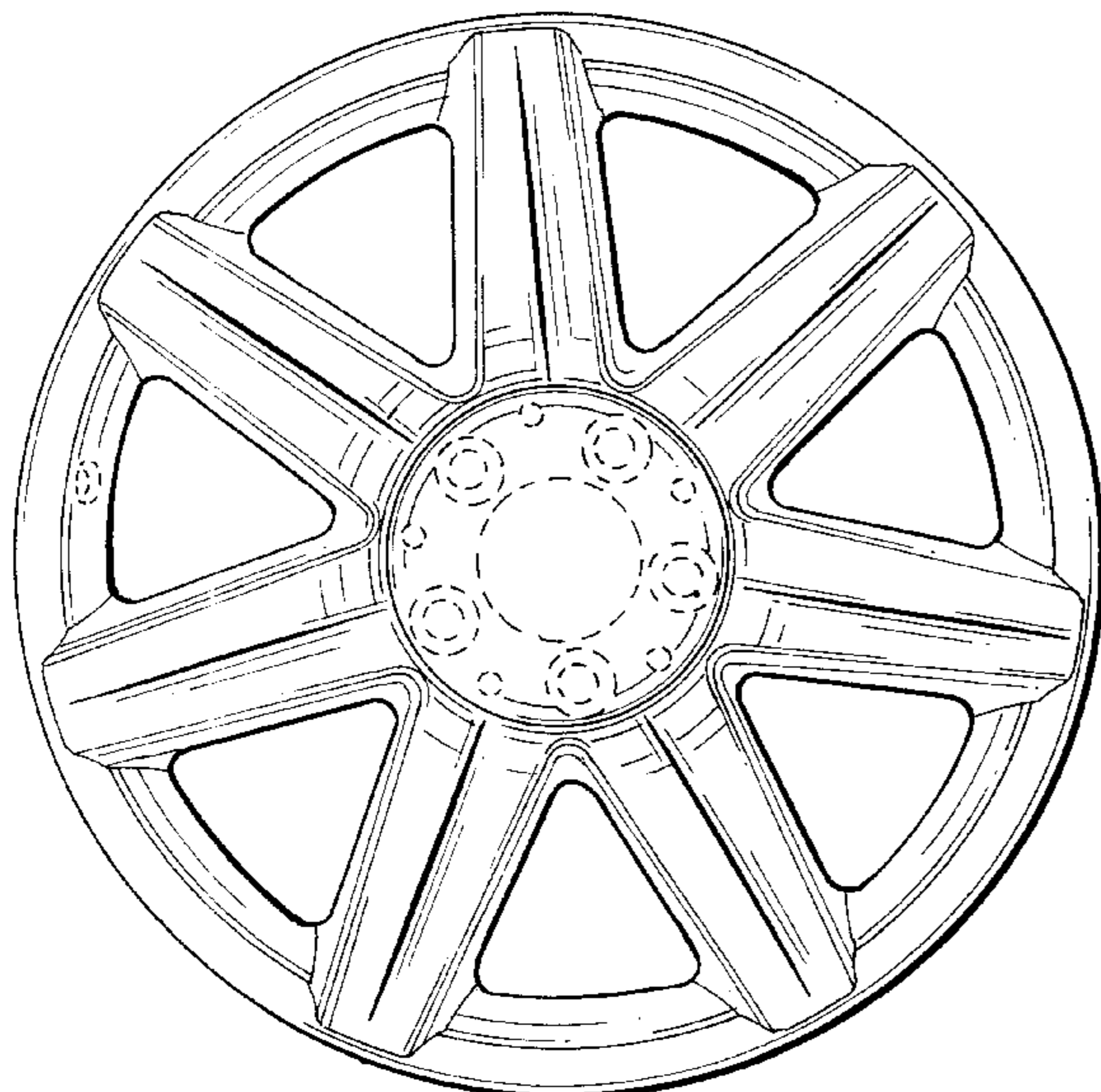
The ornamental design for a front face of a vehicle wheel, as shown and described.

**DESCRIPTION**

FIG. 1 is a front view of a first embodiment of a front face of a vehicle wheel according to our novel design; FIG. 2 is a perspective view of the first embodiment of the front face of a vehicle wheel according to our novel design; FIG. 3 is a front view of a second embodiment of the front face of a vehicle wheel according to our novel design; and, FIG. 4 is a perspective view of the second embodiment of the front face of a vehicle wheel according to our novel design.

The dash lines included depict environment and are not part of the claimed design.

**1 Claim, 2 Drawing Sheets**



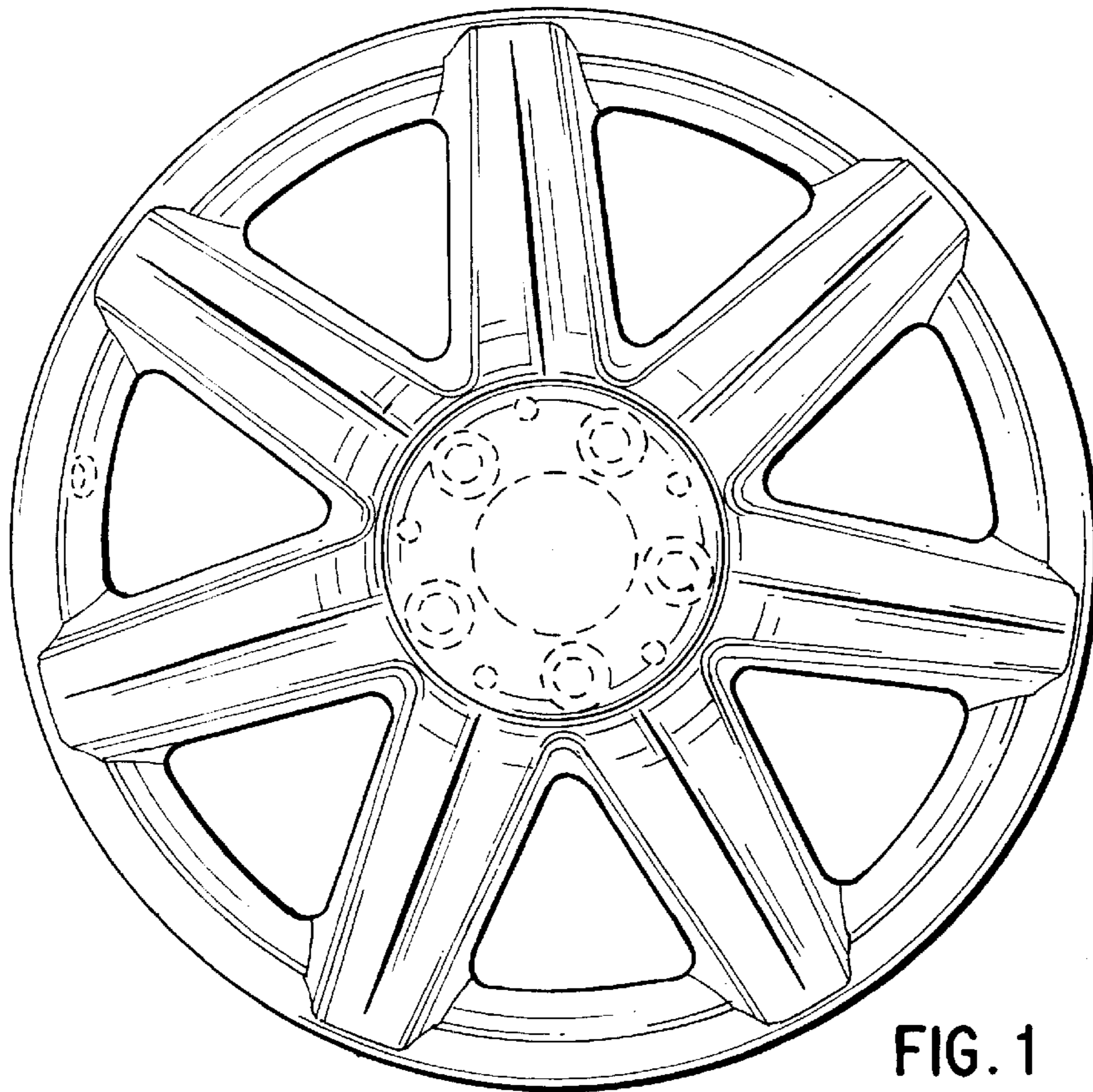


FIG. 1

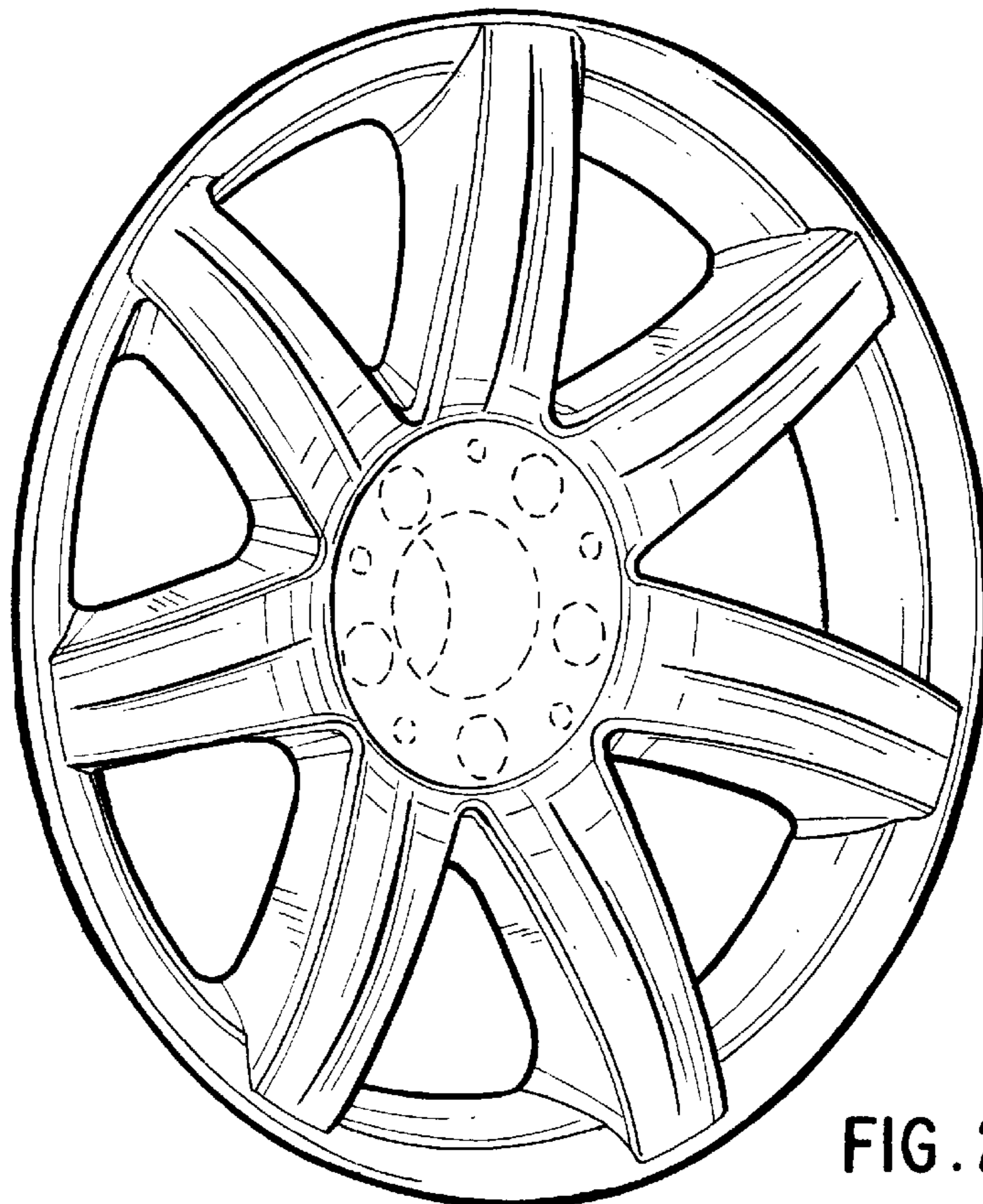


FIG. 2



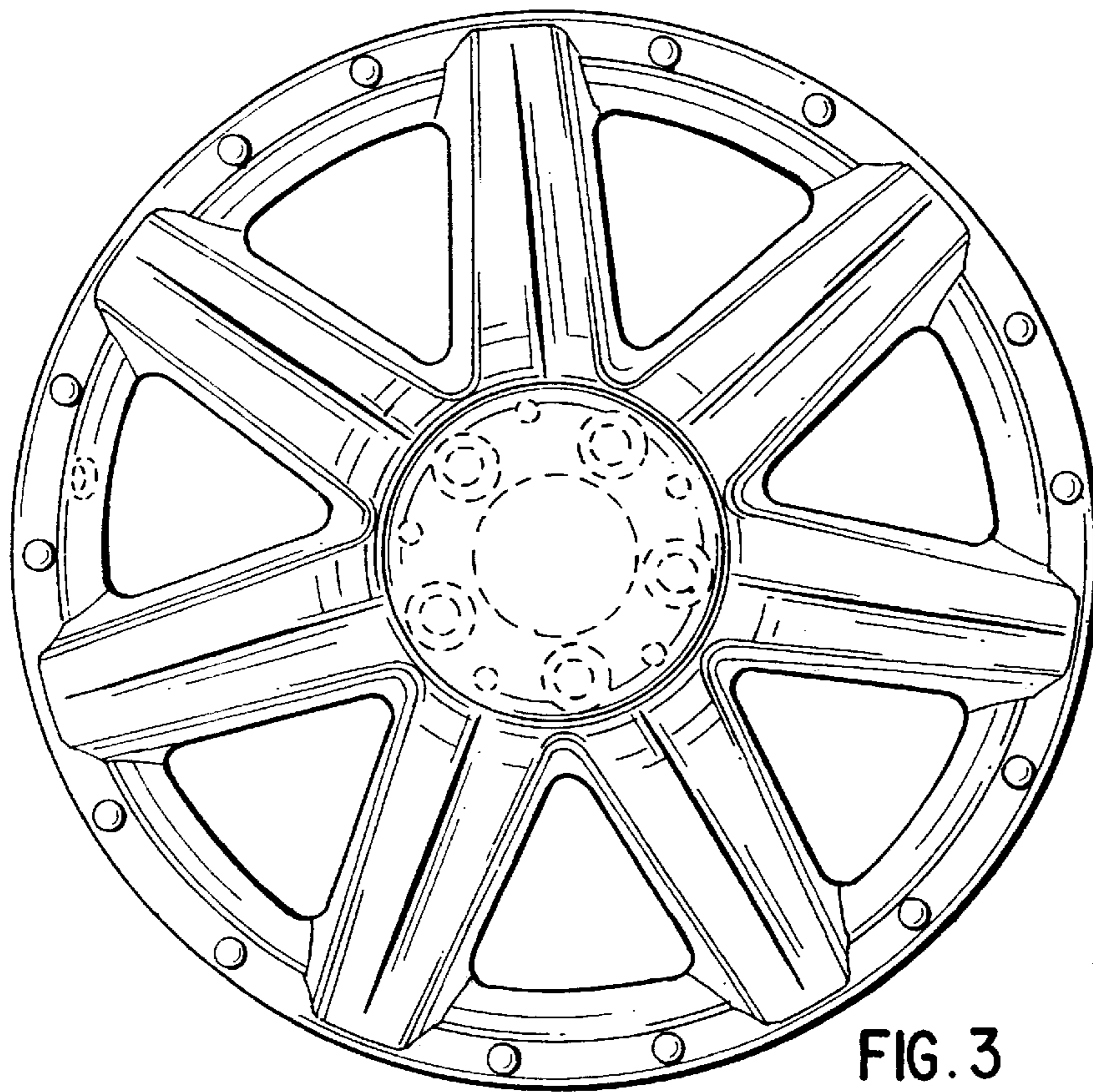


FIG. 3

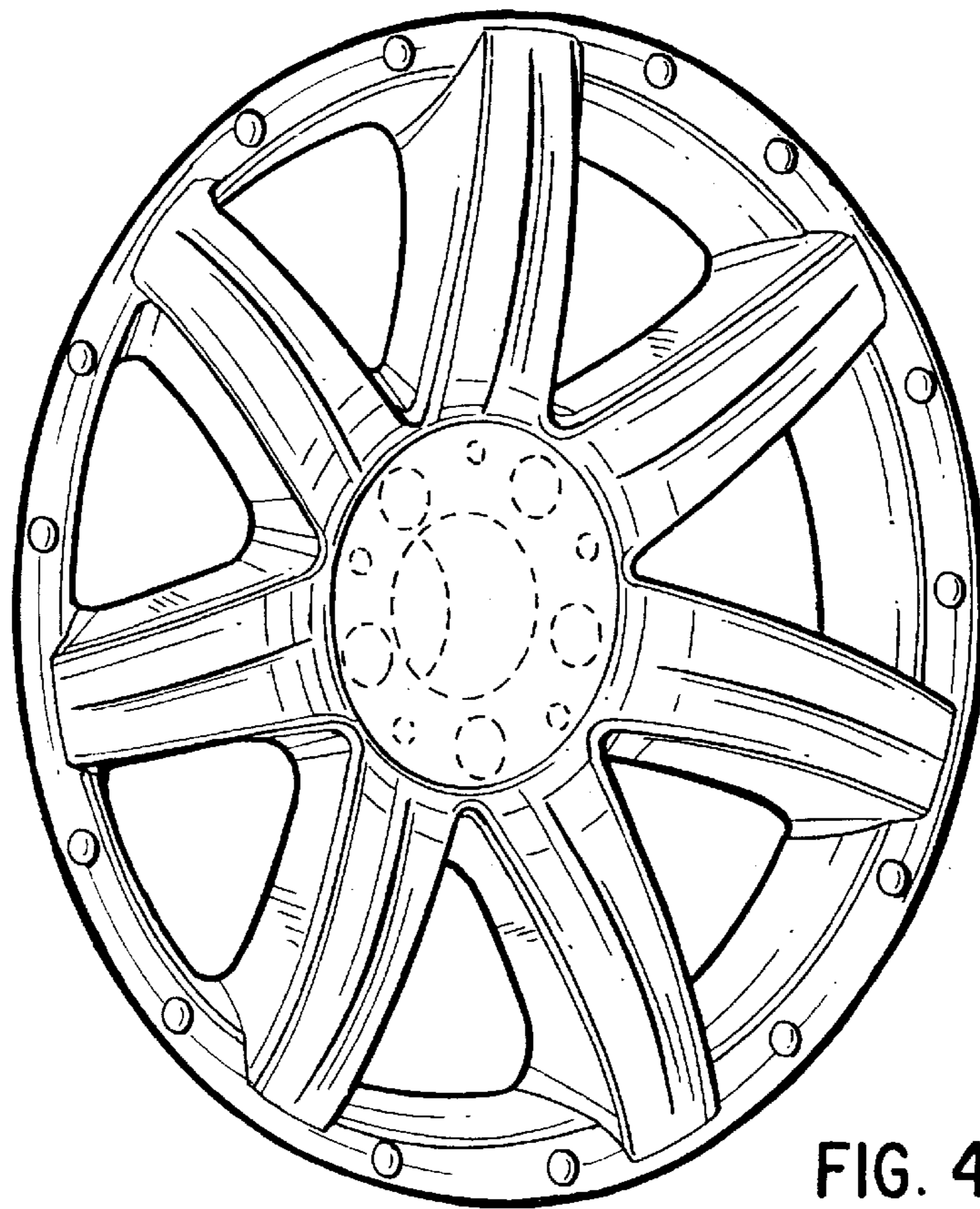


FIG. 4