



US00D471845S

(12) **United States Design Patent**  
**Mighell**

(10) **Patent No.:** **US D471,845 S**

(45) **Date of Patent:** **\*\* Mar. 18, 2003**

(54) **ATV TRAILER**

(76) **Inventor:** **James Lewis Mighell**, 1629 N. Ash,  
P.O. Box 406, Russell, KS (US) 67665

(\*\*) **Term:** **14 Years**

(21) **Appl. No.:** **29/168,977**

(22) **Filed:** **Oct. 11, 2002**

**Related U.S. Application Data**

(62) Division of application No. 29/153,248, filed on Jan. 4, 2002.

(51) **LOC (7) Cl.** ..... **12-10**

(52) **U.S. Cl.** ..... **D12/101**

(58) **Field of Search** ..... D12/101; 280/656,  
280/789, 402, 47.26, 63, 400

(56) **References Cited**

**U.S. PATENT DOCUMENTS**

1,642,823 A	8/1927	Ordway	.....	280/400
D186,503 S	11/1959	Schumacher et al.	.....	D12/101
3,497,232 A	2/1970	Richey		
D245,495 S	8/1977	Henderson	.....	D12/101
4,067,298 A	1/1978	Jones et al.	.....	119/60
D263,238 S	3/1982	Lazzeroni	.....	D12/101

D326,070 S	*	5/1992	Hollingworth	.....	D12/101
D336,870 S		6/1993	Thacker	.....	D12/101
D369,328 S	*	4/1996	Acosta	.....	D12/101
5,513,868 A		5/1996	Barr	.....	280/400
D376,564 S		12/1996	Mishoe	.....	D12/101
D418,451 S	*	1/2000	Konecheck	.....	D12/101

\* cited by examiner

*Primary Examiner*—Melody N. Brown

(74) *Attorney, Agent, or Firm*—Goldstein & Lavas, P.C.

(57) **CLAIM**

The ornamental design for an ATV trailer, as shown and described.

**DESCRIPTION**

FIG. 1 is a perspective view of an ATV trailer in full lines with an ATV shown in broken lines representing environmental association matter being for illustrative purposes only and forming no part of the claimed invention.

FIG. 2 is a front elevational view of the ATV trailer.

FIG. 3 is a rear elevational view thereof.

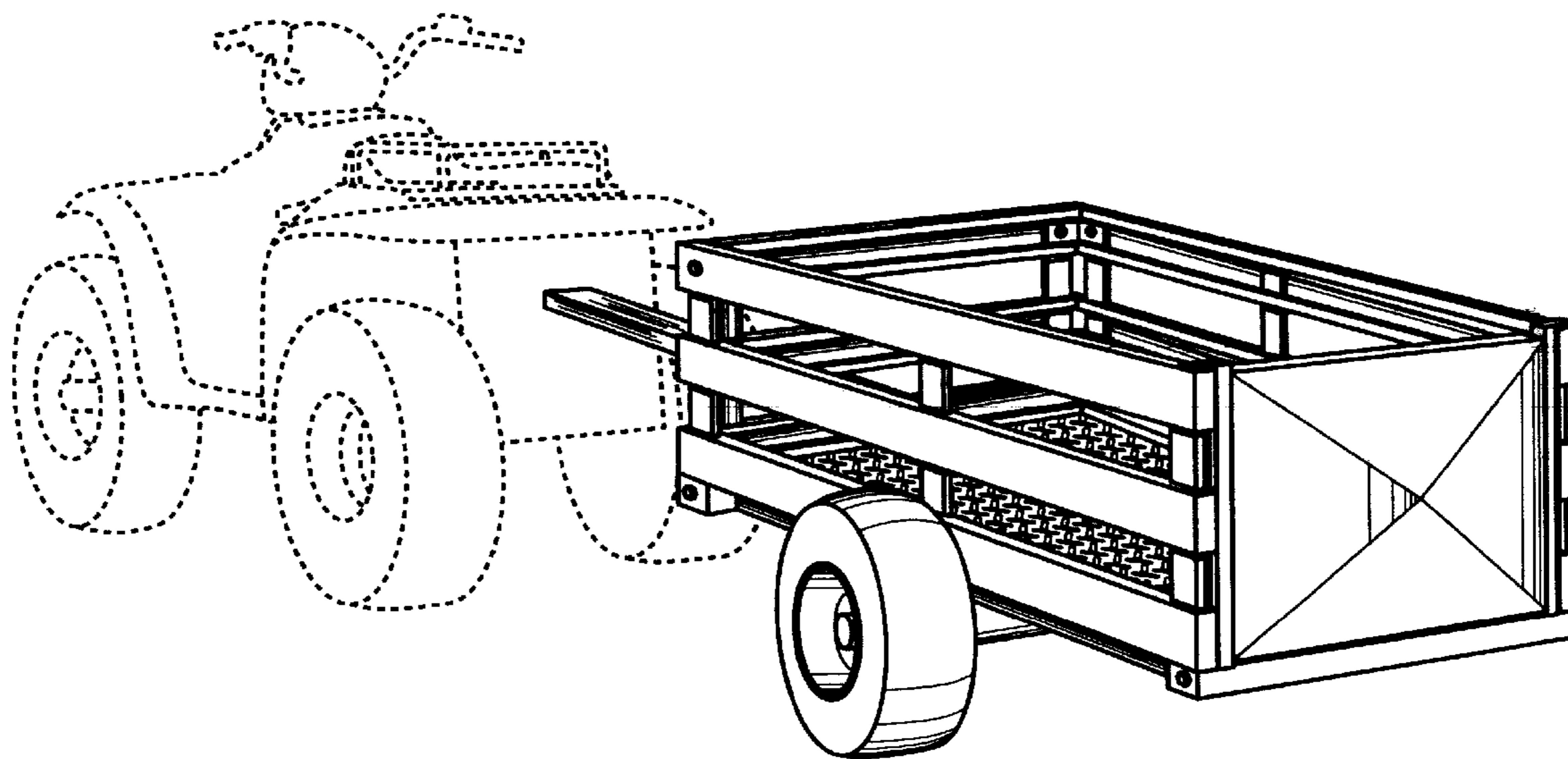
FIG. 4 is a right side elevational view thereof.

FIG. 5 is a left side elevational view thereof.

FIG. 6 is a top plan view thereof; and,

FIG. 7 is a bottom plan view thereof.

**1 Claim, 4 Drawing Sheets**



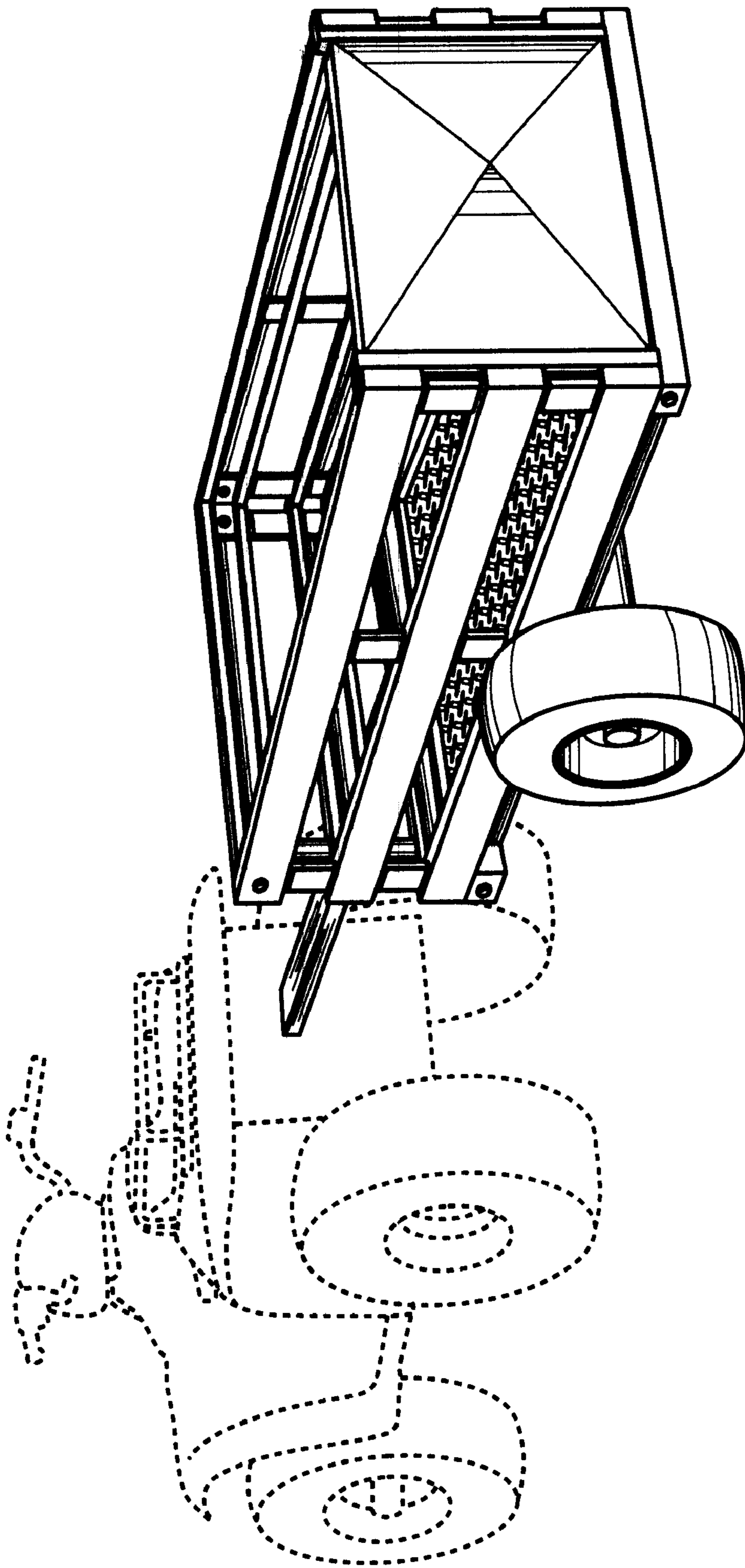


FIG. 1

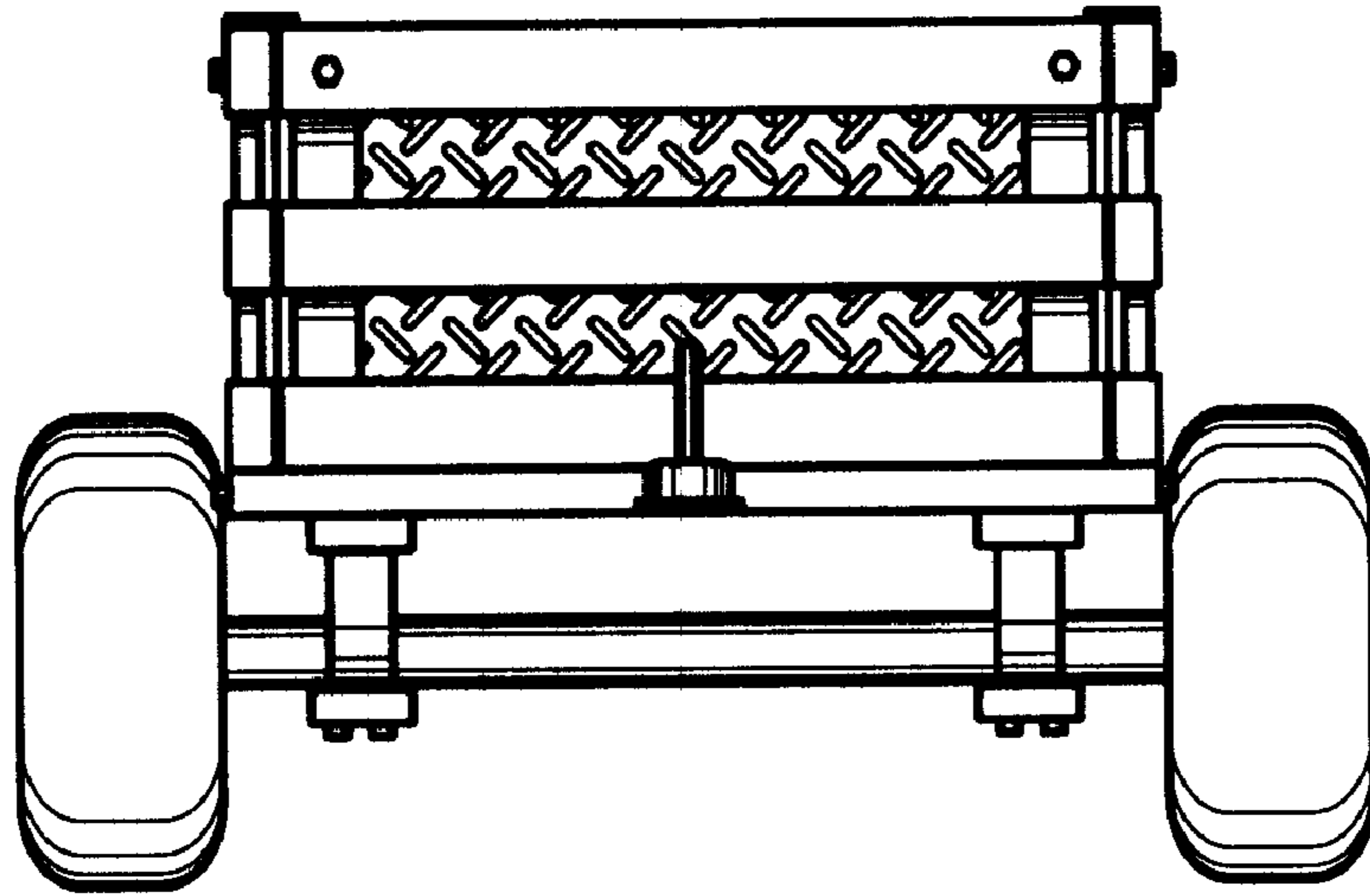


FIG. 2

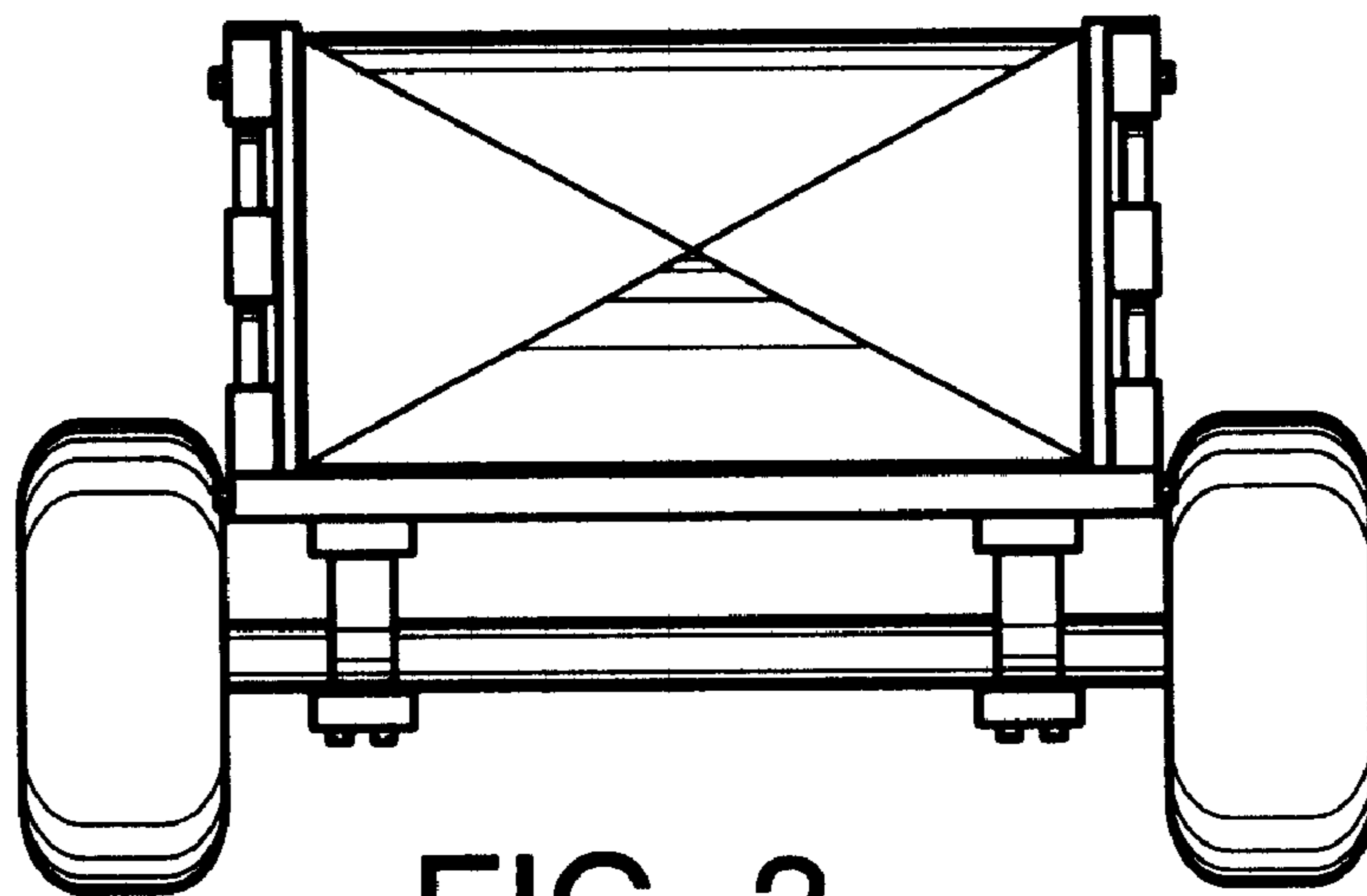


FIG. 3

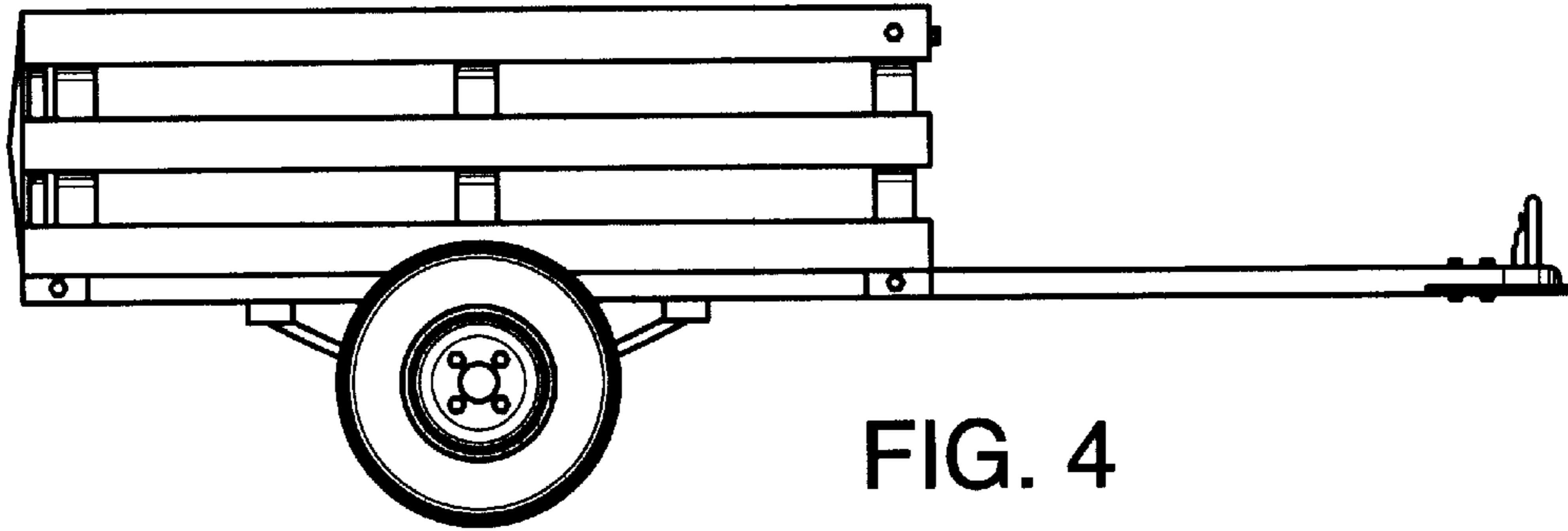


FIG. 4

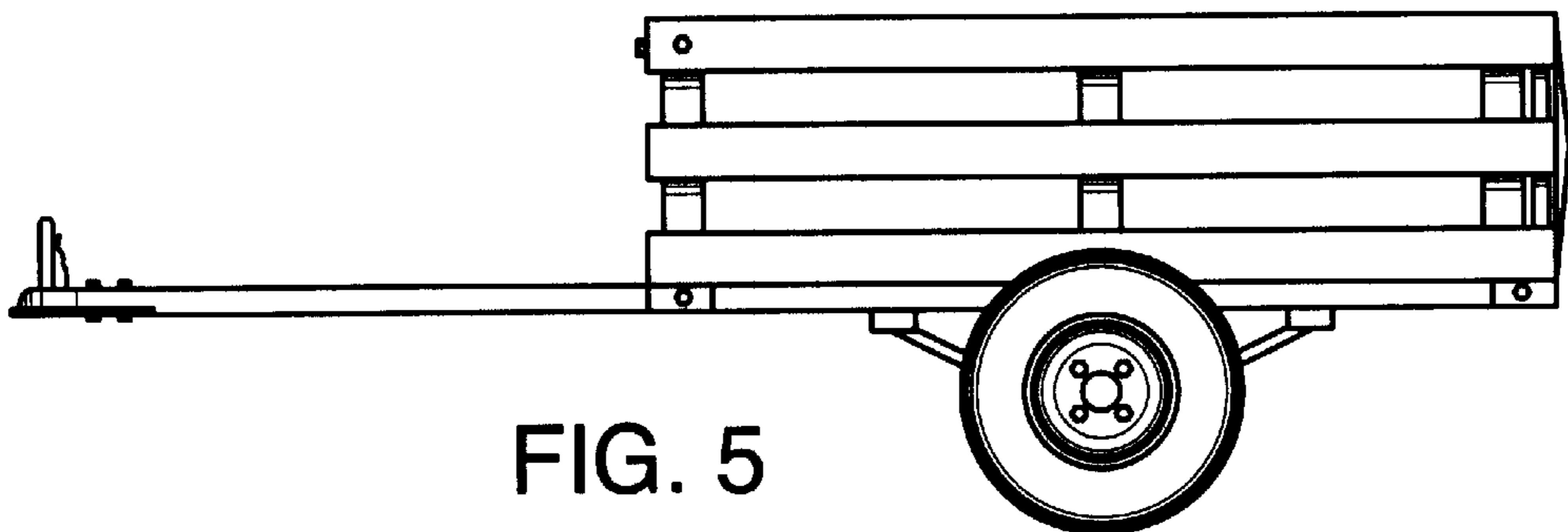


FIG. 5

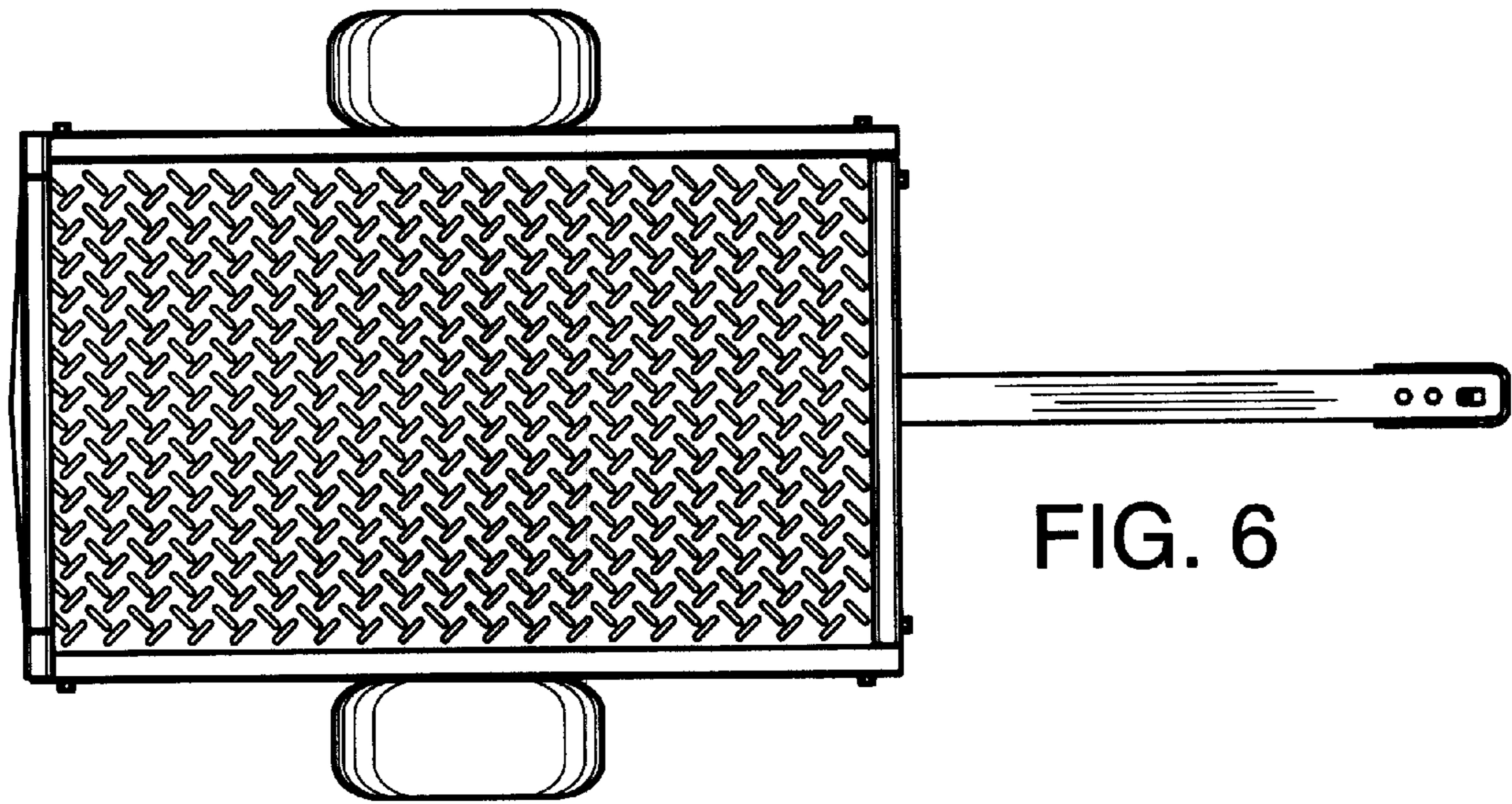


FIG. 6

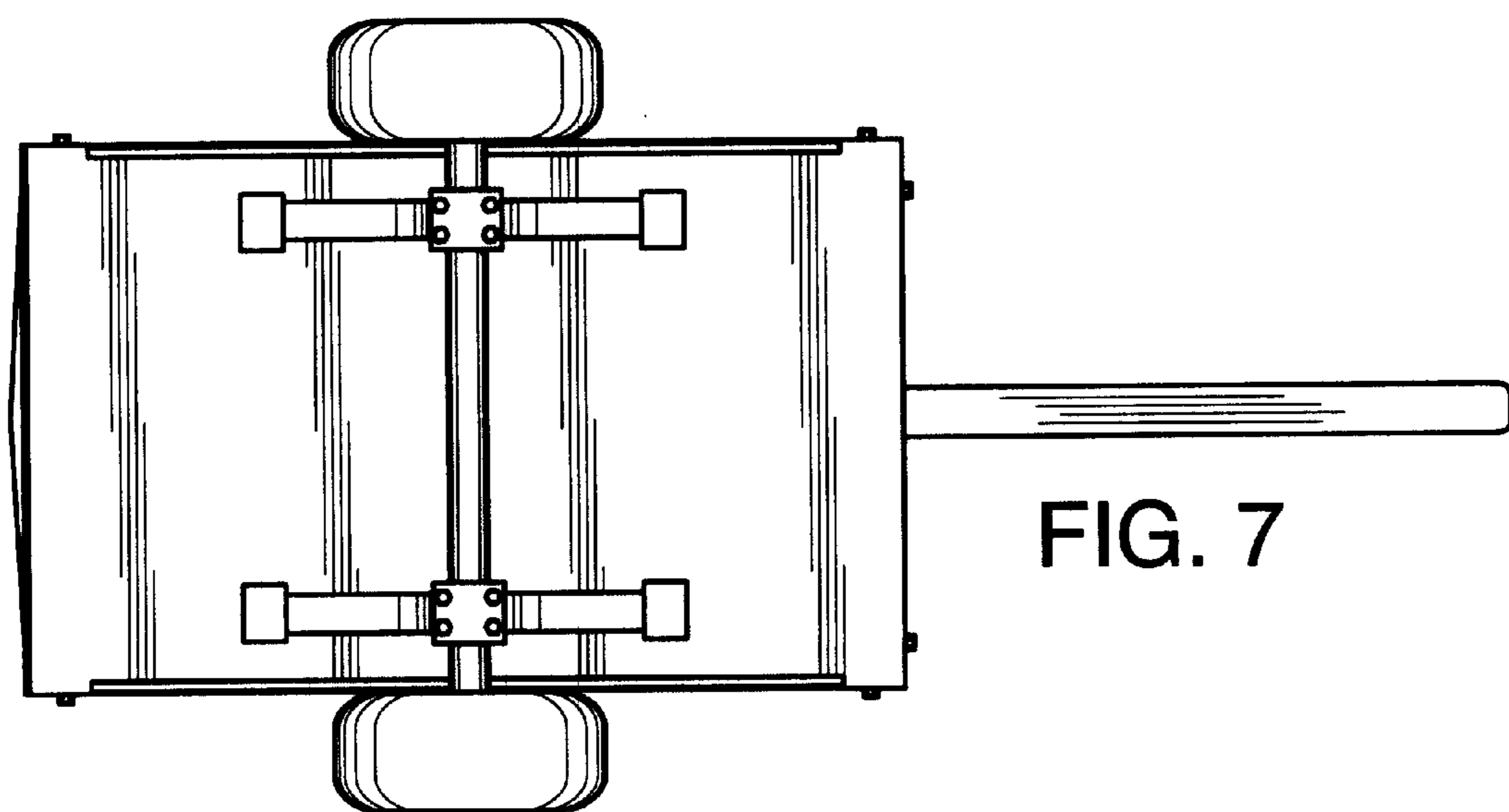


FIG. 7