



US00D471842S

(12) **United States Design Patent**
Mallette et al.

(10) **Patent No.:** **US D471,842 S**

(45) **Date of Patent:** **** Mar. 18, 2003**

(54) **SNOWMOBILE SKI**

(75) Inventors: **Bertrand Mallette**, Rock Forest (CA);
Mario Cote, Bedford (CA); **Guillaume Longpre**, Farnham (CA)

(73) Assignee: **Bombardier Inc.**, Valcourt (CA)

(**) Term: **14 Years**

(21) Appl. No.: **29/137,155**

(22) Filed: **Feb. 15, 2001**

(51) **LOC (7) Cl.** **12-14**

(52) **U.S. Cl.** **D12/7**

(58) **Field of Search** D12/7; D21/760,
D21/766; 280/22, 21.1, 600, 602, 607,
609, 805, 28, 13, 16, 18; 180/184, 186,
190, 196, 182

D257,052 S 9/1980 Schrishuhn, Jr.
4,221,394 A 9/1980 Campbell
4,320,905 A 3/1982 Andrew et al.
4,340,241 A 7/1982 Crocket
4,577,876 A 3/1986 Harris

(List continued on next page.)

FOREIGN PATENT DOCUMENTS

CA	335547	9/1933
CA	36493	4/1973
CA	936197	10/1973
CA	954566	9/1974
CA	960729	1/1975
CA	987707	4/1976
CA	1007274	3/1977
CA	46647	3/1980
CA	50740	1/1983
CA	1287658	8/1991
CA	2095872	11/1994
CA	2109241	2/1995
CA	2244520	1/2000

(56) **References Cited**

U.S. PATENT DOCUMENTS

780,149 A	1/1905	Anderson	
905,704 A	12/1908	Johnson	
1,802,116 A	4/1931	Kinsley	
D95,466 S	4/1935	Stone	
1,998,702 A	4/1935	Boline	
2,404,402 A	7/1946	Portor	280/28
3,374,003 A	3/1968	Fulsom	
3,482,849 A	12/1969	Puetz	
3,632,126 A	1/1972	Shorroch	
3,643,979 A	2/1972	Richards	
3,675,939 A	7/1972	Vik	
3,711,109 A	1/1973	Hofbauer	
3,720,421 A	3/1973	Clemmer	
3,734,523 A	5/1973	Field	
3,785,448 A	1/1974	Merenheimo et al.	
3,785,665 A	1/1974	Merenheimo et al.	280/28
3,817,544 A	6/1974	Labelle	
3,844,367 A	10/1974	Flohr	
4,007,946 A	2/1977	Sarver	
4,085,947 A	4/1978	Sarver	
4,116,455 A	9/1978	Dotson et al.	
4,194,753 A	3/1980	Schrishuhn, Jr.	
D256,224 S	8/1980	Fritz	

OTHER PUBLICATIONS

Sno–Stuff 2000–2001 Catalog, Dec. 2000, front cover, p. 89, back cover.

Primary Examiner—Nelson C. Holtje
(74) *Attorney, Agent, or Firm*—Pillsbury Winthrop LLP

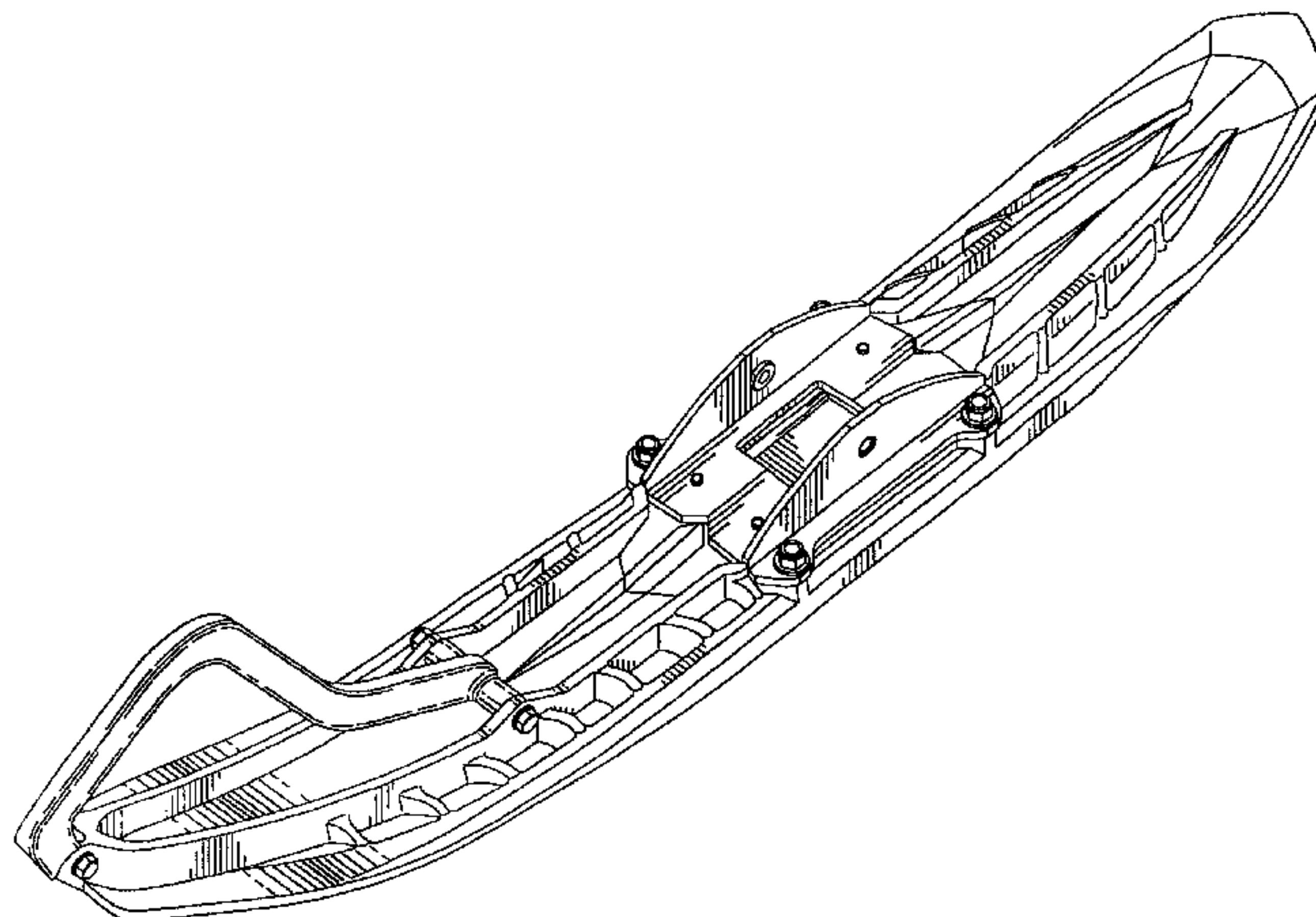
(57) **CLAIM**

The ornamental design for a snowmobile ski, as shown and described.

DESCRIPTION

FIG. 1 is a perspective illustration, from the front and the left side, of the snowmobile ski of our design;
FIG. 2 is a front view thereof;
FIG. 3 is a rear view thereof;
FIG. 4 is a left side view thereof;
FIG. 5 is a right side view thereof;
FIG. 6 is a top view thereof; and,
FIG. 7 is a bottom view thereof.

1 Claim, 3 Drawing Sheets



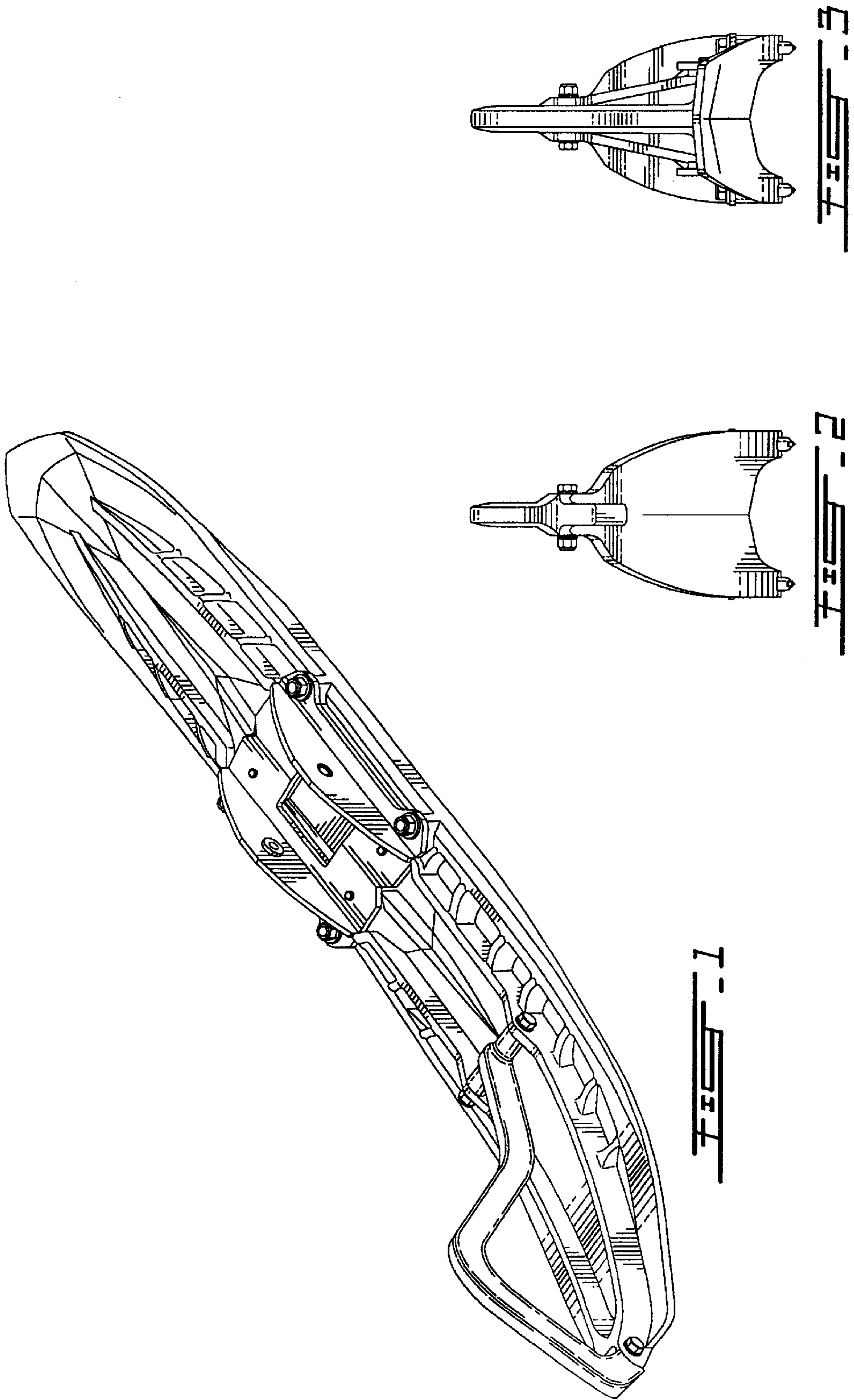
US D471,842 S

Page 2

U.S. PATENT DOCUMENTS

4,869,336 A	*	9/1989	Nakasaki et al.	180/196	D403,988 S	*	1/1999	Chapdelaine	D12/7
5,040,818 A		8/1991	Metheny		D408,759 S	*	4/1999	Chapdelaine	D12/7
5,145,201 A		9/1992	Metheny		6,308,966 B1	*	10/2001	Cook et al.	280/28.11
5,360,220 A		11/1994	Simmons		6,331,008 B2	*	12/2001	Cormican	280/22
5,836,594 A		11/1998	Simmons						

* cited by examiner



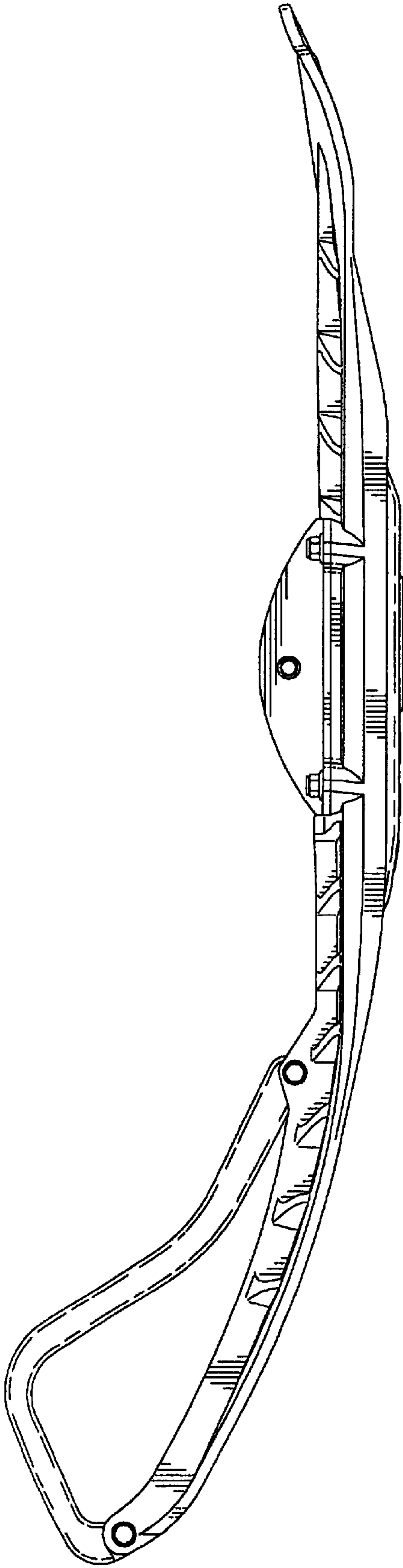


FIG. 4

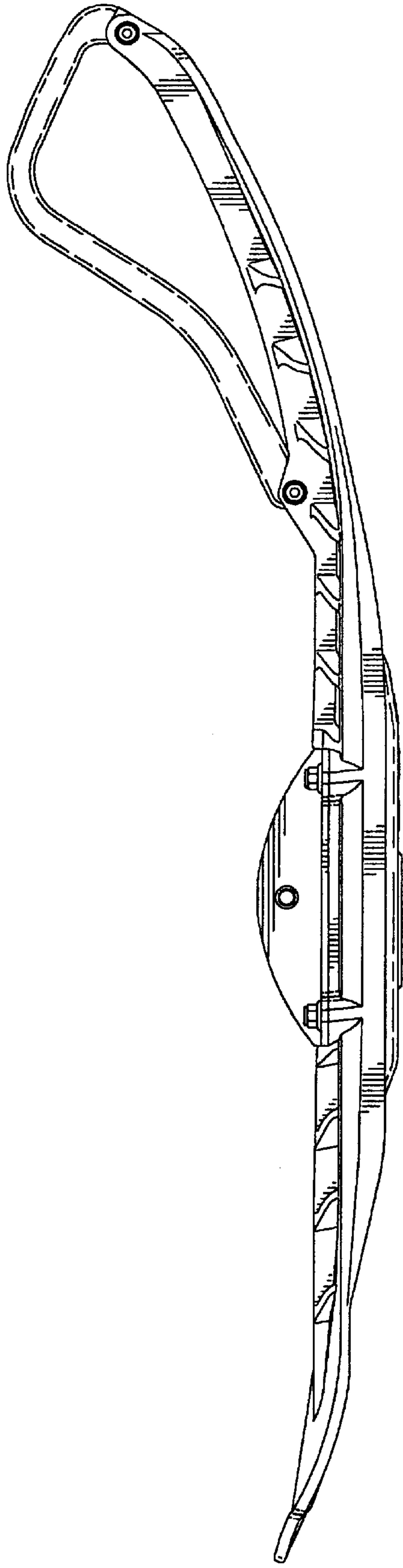


FIG. 5

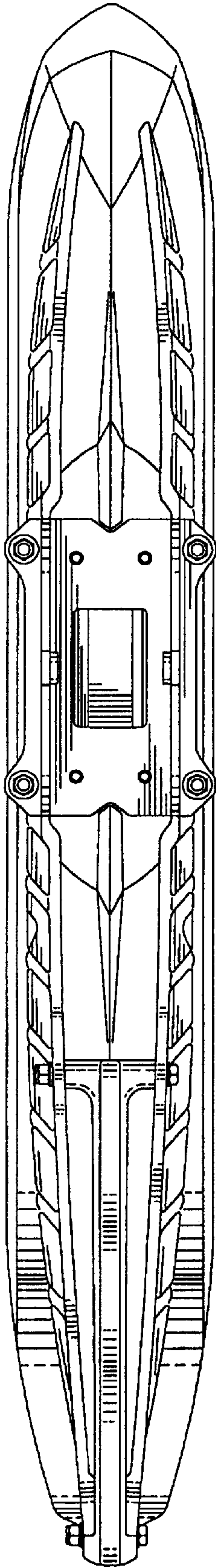


FIG. 6

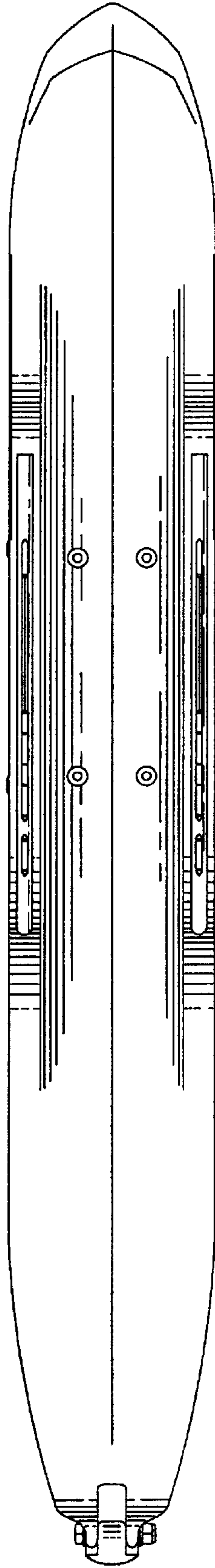


FIG. 7