



US00D471840S

(12) **United States Design Patent**  
**Sylvester**

(10) **Patent No.:** **US D471,840 S**

(45) **Date of Patent:** **\*\* Mar. 18, 2003**

- (54) **FLAG**
- (76) **Inventor:** **Maria Sylvester**, 756 E. 79th St. #A-1,  
Brooklyn, NY (US) 11236
- (\*\*) **Term:** **14 Years**
- (21) **Appl. No.:** **29/153,653**
- (22) **Filed:** **Jan. 11, 2002**
- (51) **LOC (7) Cl.** ..... **11-05**
- (52) **U.S. Cl.** ..... **D11/180**
- (58) **Field of Search** ..... D11/108, 109,  
D11/165, 166, 167, 168, 169, 170, 171,  
172, 173, 174, 175, 176, 177, 178, 179,  
180, 181, 182, 183; D20/11; 116/173, 174,  
175

- 1,828,892 A \* 10/1931 Felton ..... D11/166
- 3,500,789 A 3/1970 Keats
- D273,576 S \* 4/1984 Millan-Perichon ..... D11/167
- D316,383 S 4/1991 Paramore

\* cited by examiner

*Primary Examiner*—Doris V. Coles  
*Assistant Examiner*—Elizabeth A. Albert

(57) **CLAIM**

The ornamental design for a flag, as shown and described.

**DESCRIPTION**

FIG. 1 is a front elevational view of the flag of the present invention, the rear view being a mirror image thereof; FIG. 2 is a left side elevational view of the flag of FIG. 1; FIG. 3 is a right side elevational view of the flag of FIG. 1; FIG. 4 is a top plan view of the flag of FIG. 1, the bottom view being a mirror image thereof; and, FIG. 5 is a top, front, left side perspective view (in a slightly altered position).

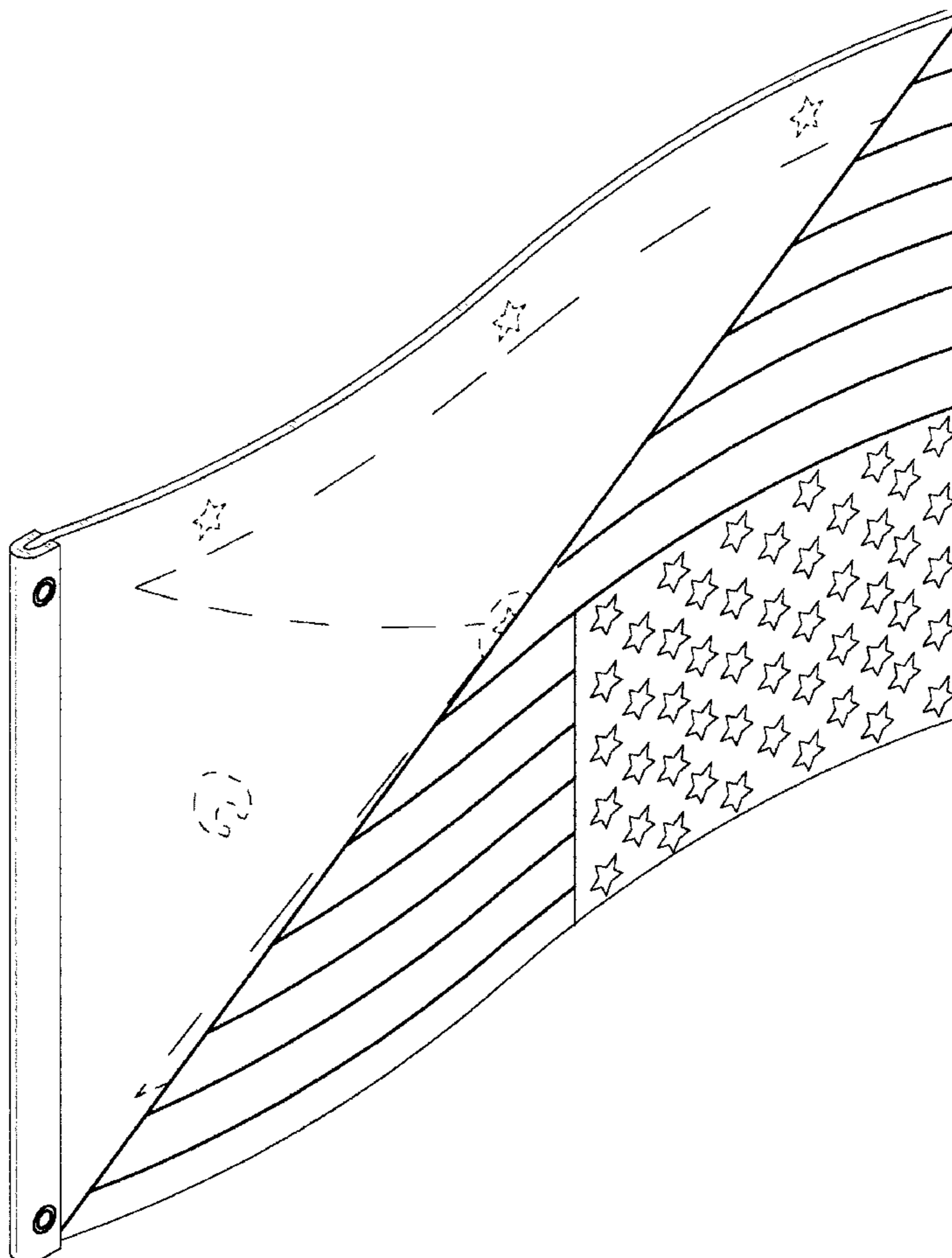
The broken lines showing of a foreign flag in FIGS. 1 and 5 are for illustrative purposes only and form no part of the claimed design.

(56) **References Cited**

**U.S. PATENT DOCUMENTS**

- D27,006 S 5/1897 Perkins
- D29,052 S 7/1898 Duke
- D53,700 S \* 8/1919 Bell, Jr. .... D11/178
- D55,034 S 5/1920 Garnett
- 1,534,652 A 4/1925 Lorenz

**1 Claim, 2 Drawing Sheets**



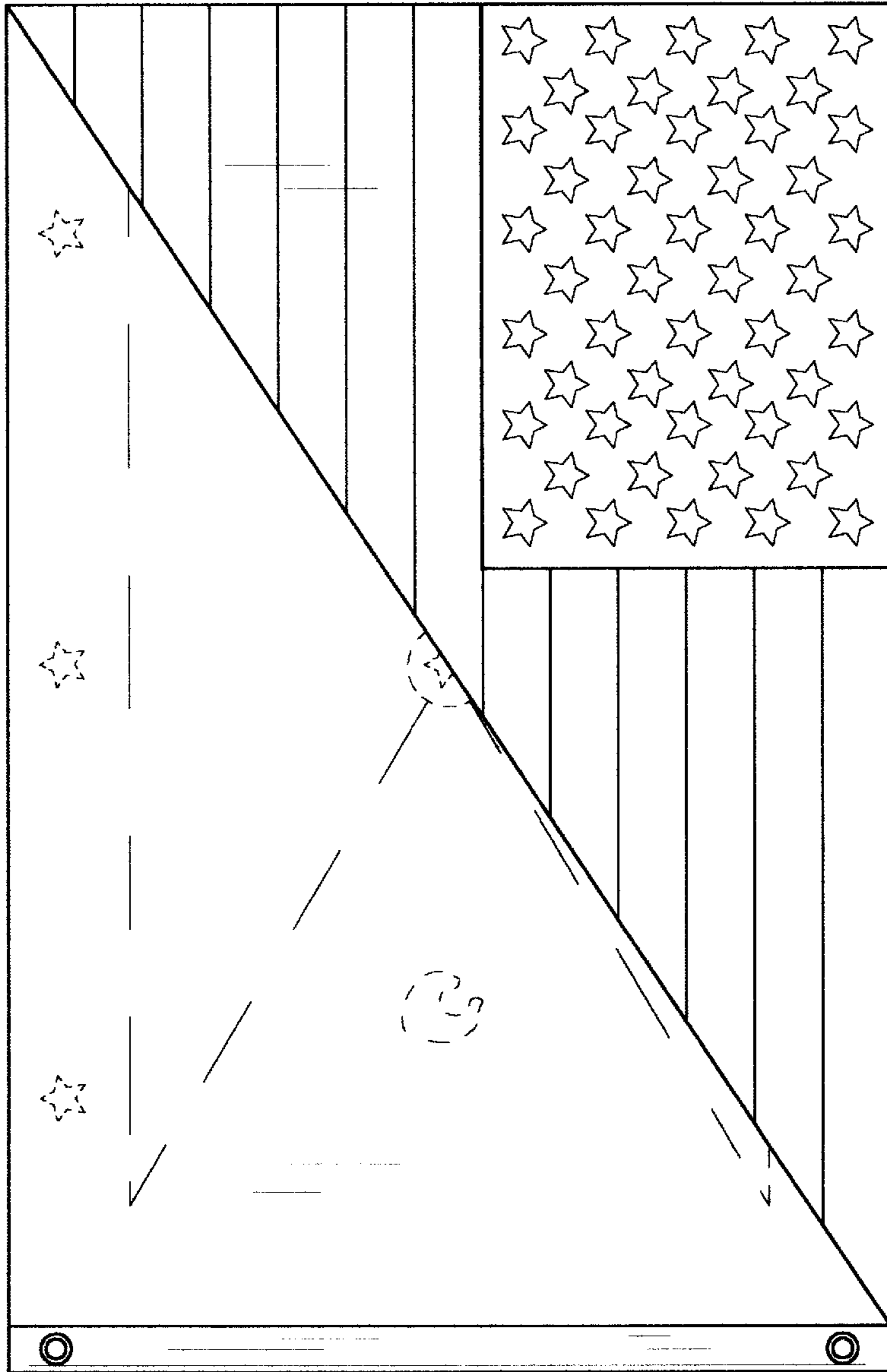


FIG. 2

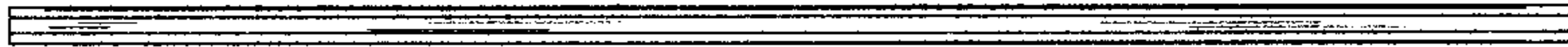
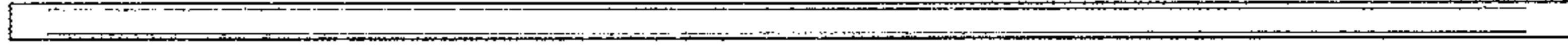


FIG. 3

FIG. 1

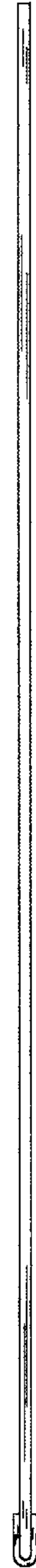


FIG. 4

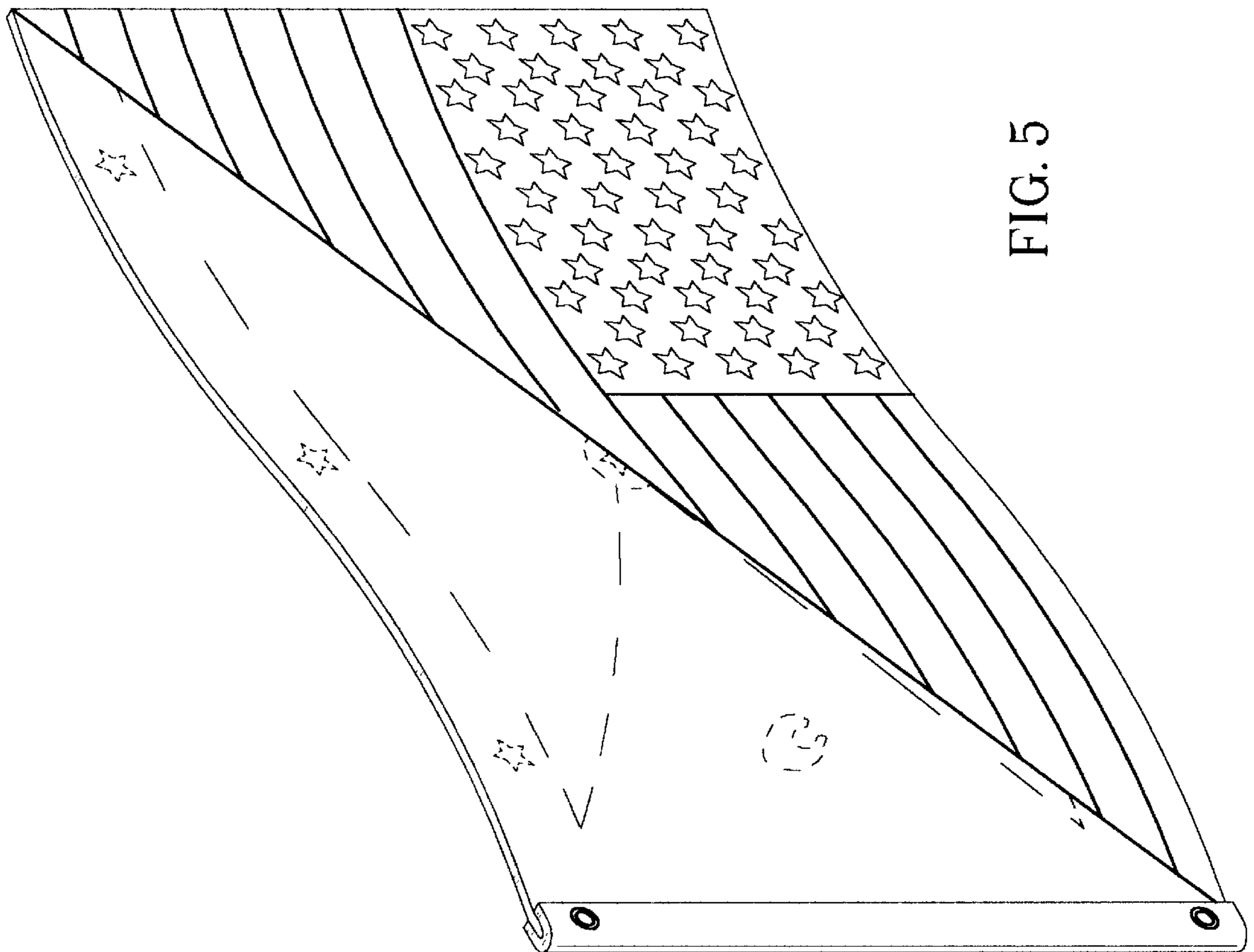


FIG. 5