



US00D471832S

(12) **United States Design Patent**  
**Dohrmann**

(10) **Patent No.:** **US D471,832 S**

(45) **Date of Patent:** **\*\* Mar. 18, 2003**

(54) **FOUR-SIDED ROUNDED EDGE ALARM UNIT**

(75) Inventor: **Anthony Dohrmann**, Carlsbad, CA (US)

(73) Assignee: **Lasershield Systems, Inc.**, Carlsbad, CA (US)

(\*\*) Term: **14 Years**

(21) Appl. No.: **29/156,574**

(22) Filed: **Feb. 21, 2002**

(51) **LOC (7) Cl.** ..... **10-05**

(52) **U.S. Cl.** ..... **D10/106**

(58) **Field of Search** ..... D10/104, 106;  
340/525, 540, 541, 565, 567, 573.1, 691.1,  
691.6, 693.2, 693.5, 815.4, 636

(56) **References Cited**

**U.S. PATENT DOCUMENTS**

D339,107 S	9/1993	Van Genechten
D425,811 S	5/2000	Dohrmann
D443,218 S	6/2001	Dohrmann
D443,542 S	6/2001	Dohrmann
D444,728 S	7/2001	Dohrmann
D445,052 S	7/2001	Dohrmann
D447,973 S	9/2001	Dohrmann

*Primary Examiner*—Antoine Duval Davis  
(74) *Attorney, Agent, or Firm*—Jones, Waldo, Holbrook & McDonough; Michael W. Starkweather; Brent T. Winder

(57) **CLAIM**

The ornamental design for a four-sided rounded edge alarm unit, as shown and described.

**DESCRIPTION**

A portion of the disclosure of this patent document contains material to which a claim for copyright is made. The copyright owner has no objection to the facsimile reproduction by anyone of the patent document or the patent disclosure, as it appears in the Patent and Trademark Office patent files or records, but reserves all other copyrights whatsoever. FIG. 1 is a perspective view showing a front view of a four-sided rounded-edge alarm system with a top light, an upper light emitting diode array, and a lower infrared sensor. FIG. 2 is a perspective rear view of the invention of FIG. 1 showing a round speaker, a panic button and phone jack hook-ups. FIG. 3 is a front elevation view of the invention of FIG. 1. FIG. 4 is a side elevational view of the invention of FIG. 1. FIG. 5 is a rear elevational view of the invention of FIG. 1. FIG. 6 is a top view of the invention of FIG. 1; and, FIG. 7 is a bottom view of the invention of FIG. 1.

**1 Claim, 3 Drawing Sheets**

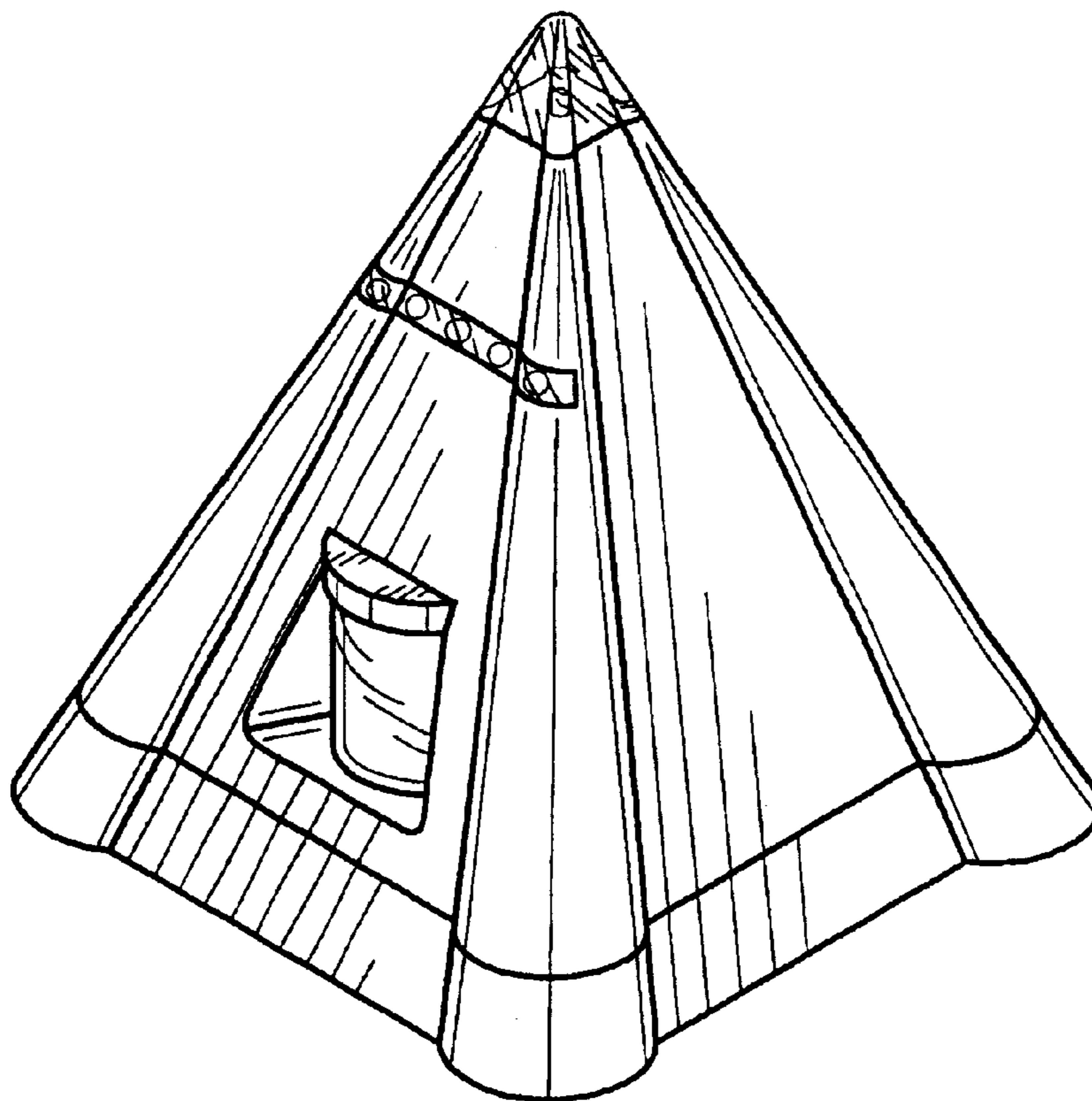


FIG. 2

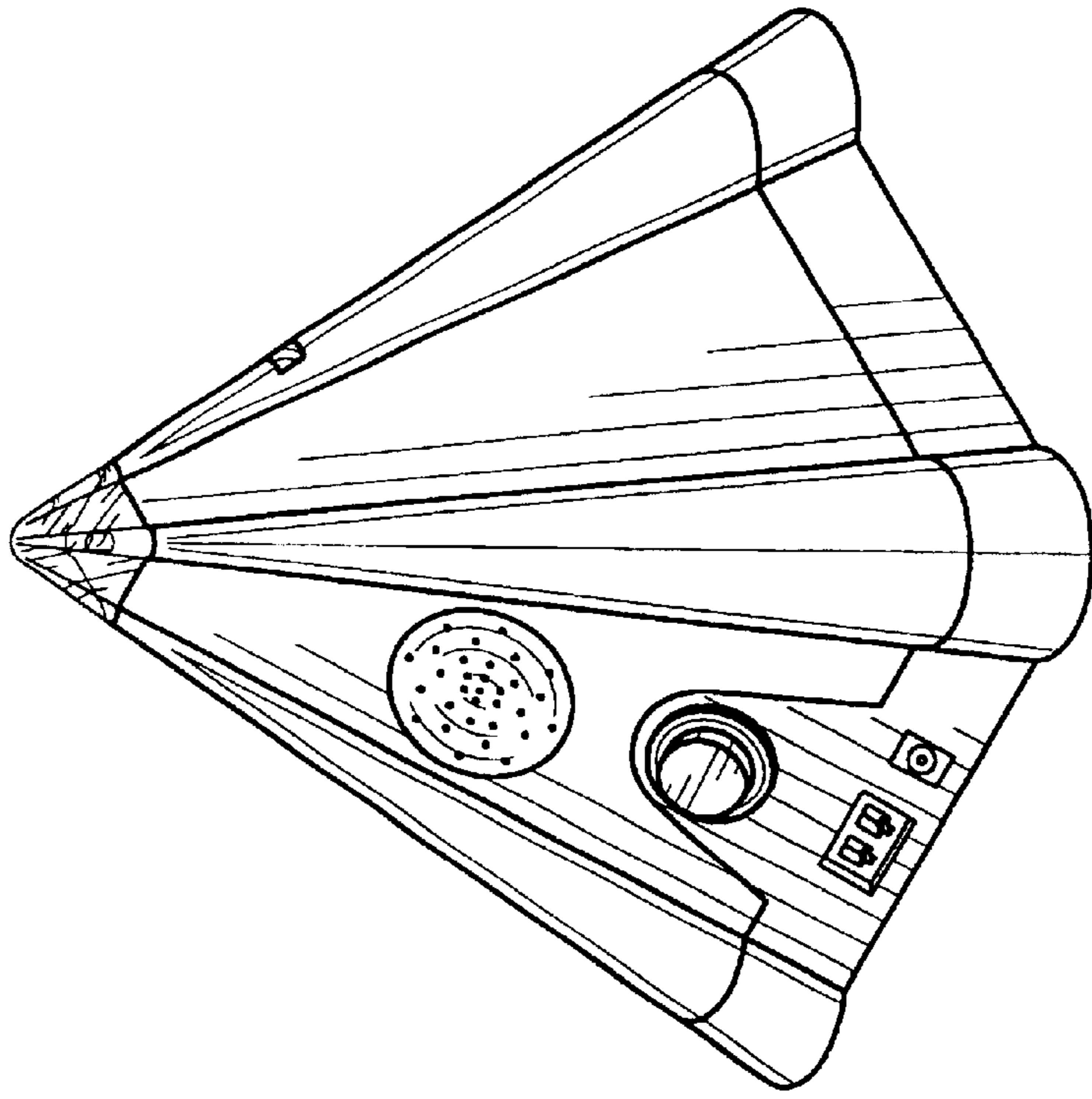


FIG. 1

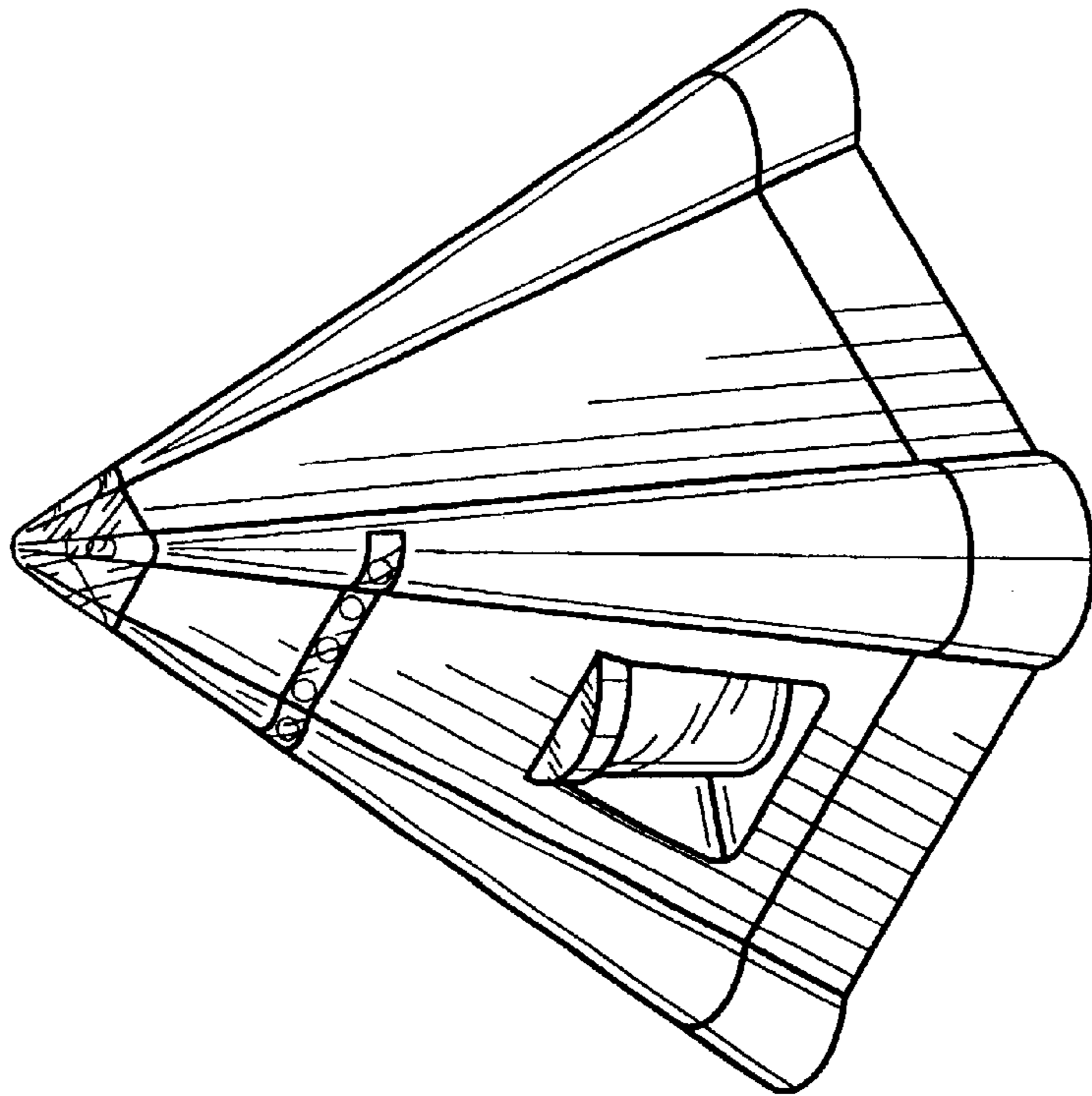


FIG. 3

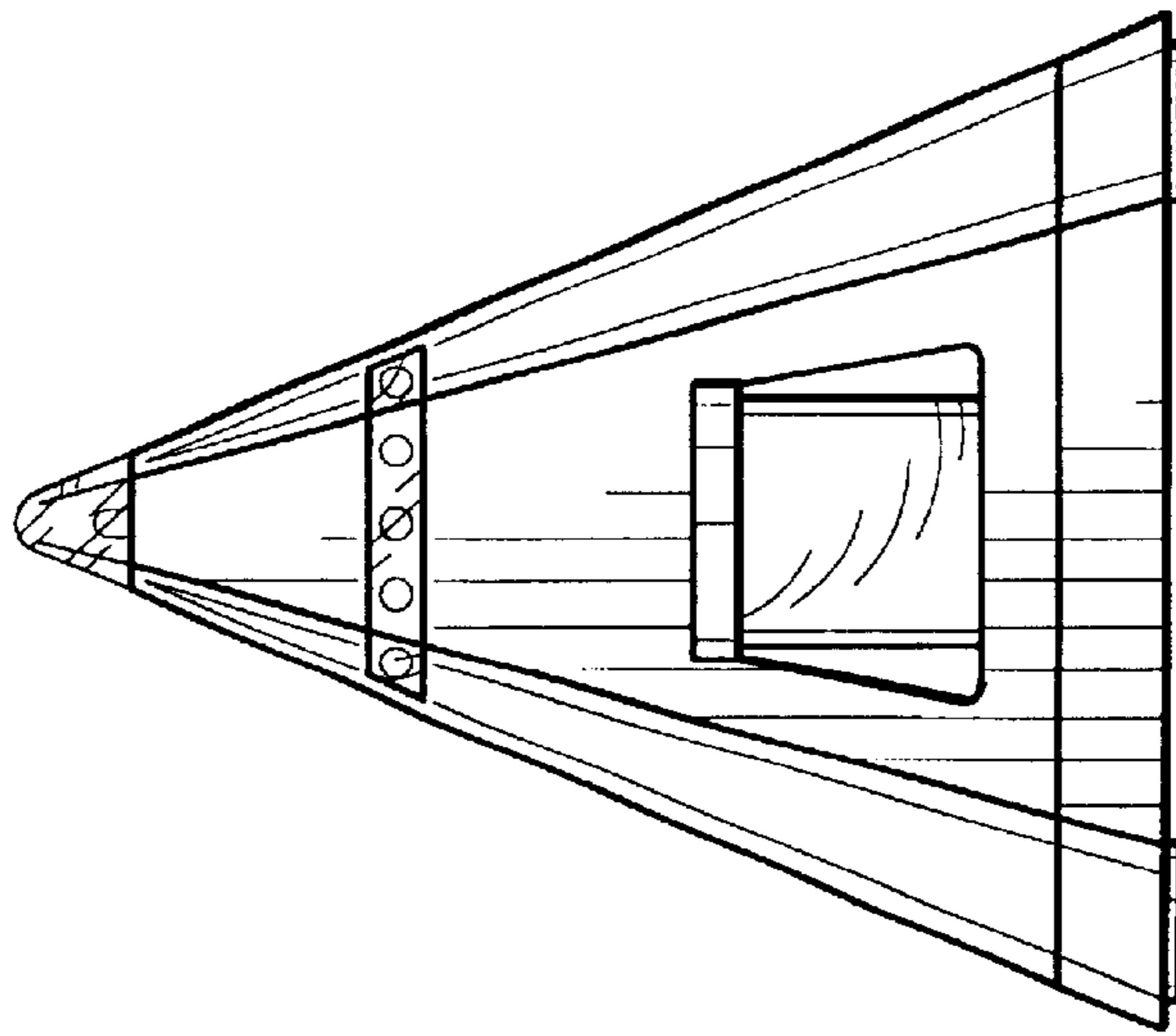


FIG. 4

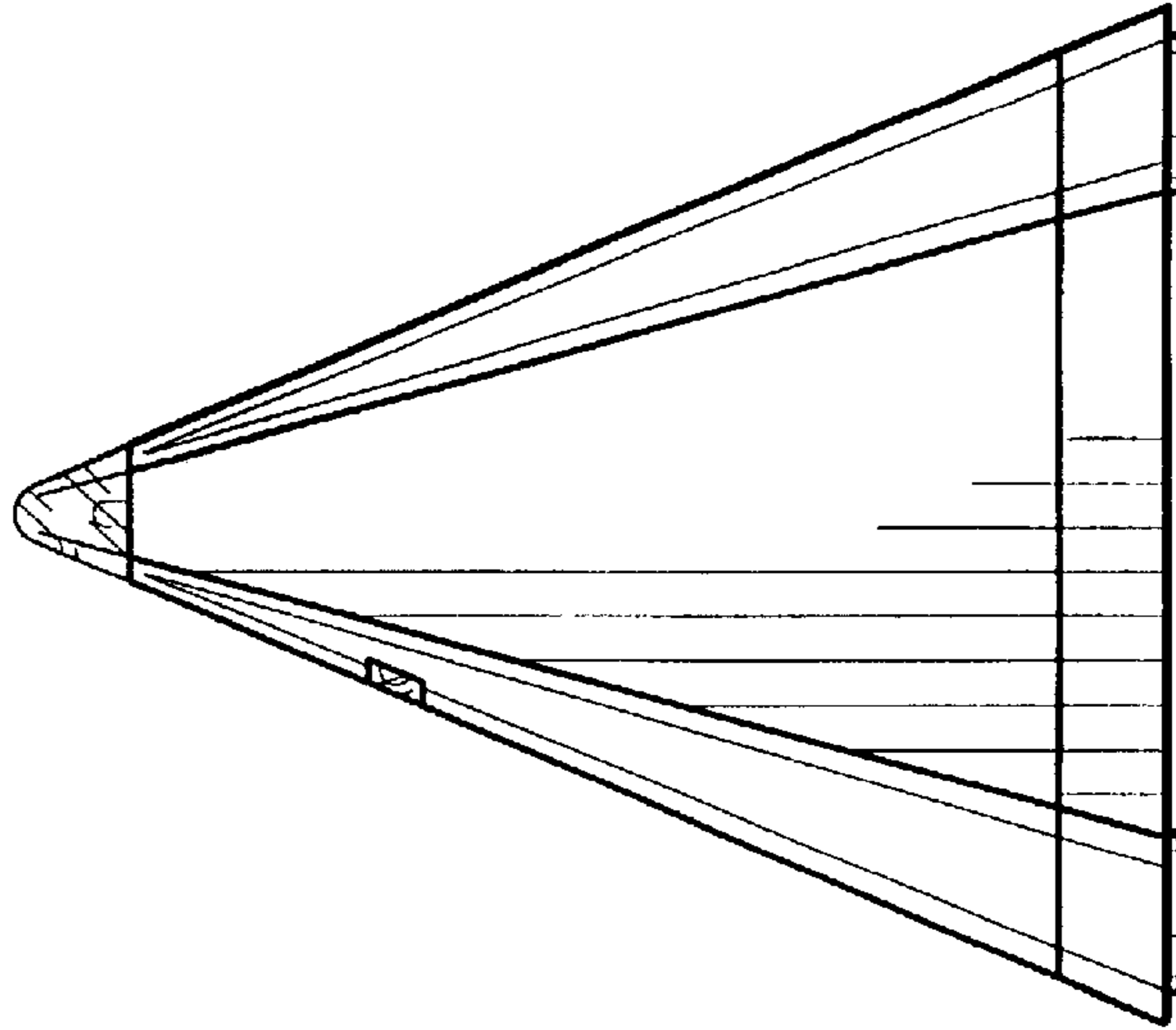


FIG. 5

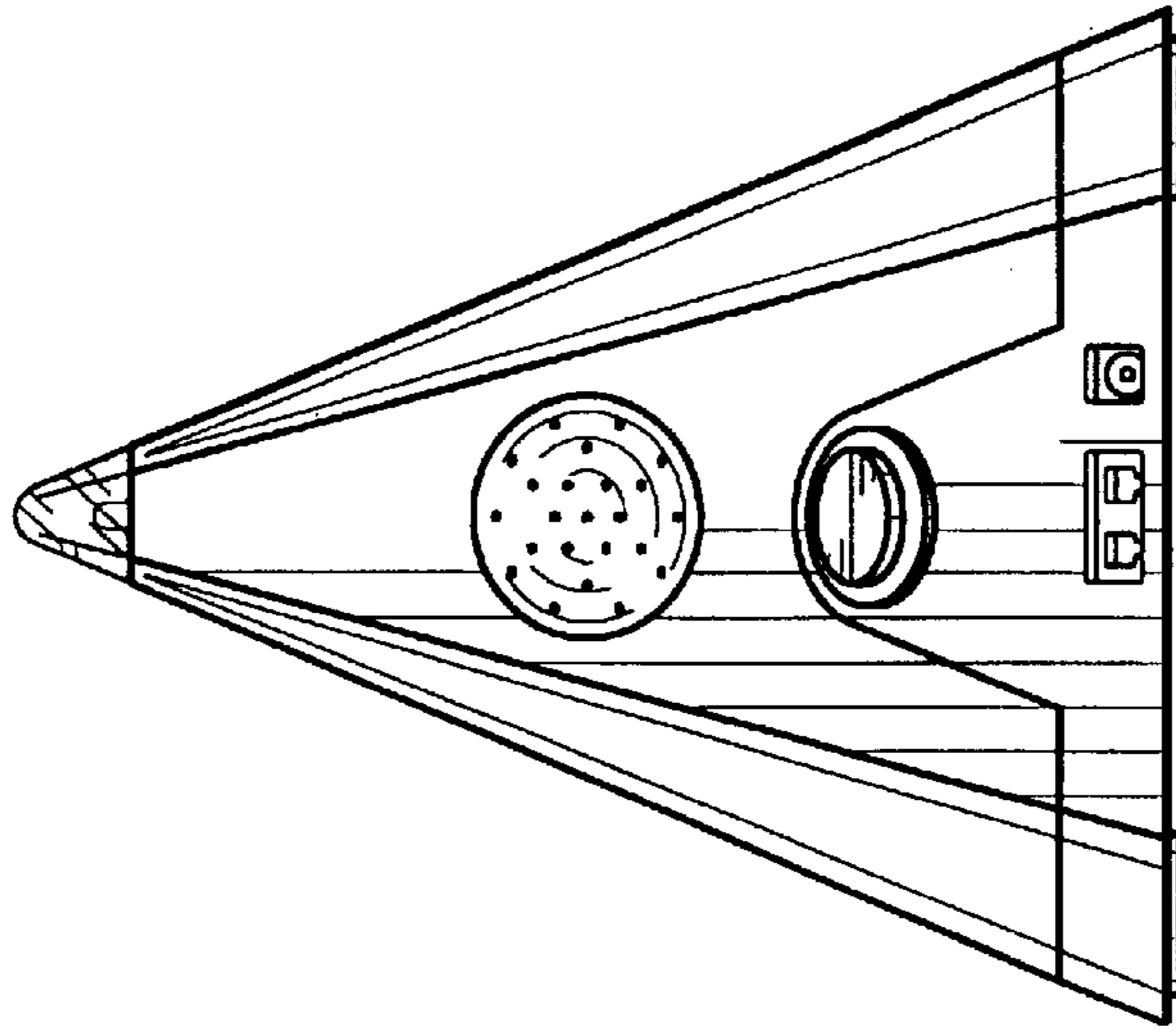


FIG. 7

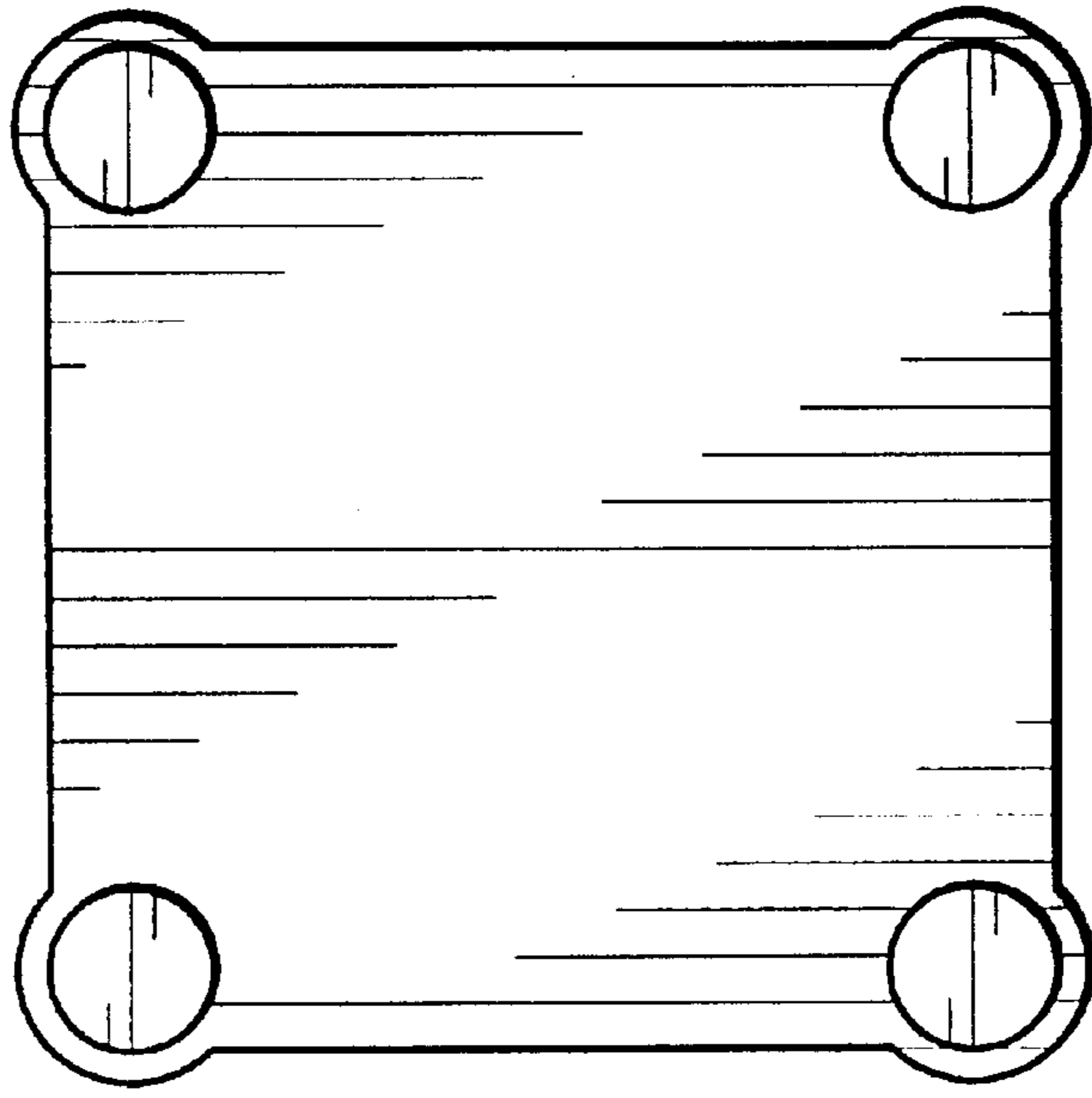


FIG. 6

