



US00D471831S

(12) **United States Design Patent**
Tomaka et al.

(10) **Patent No.:** **US D471,831 S**
(45) **Date of Patent:** **** Mar. 18, 2003**

(54) **COUNTING DEVICE**

(75) Inventors: **Jeffrey S. Tomaka**, Tomaka, NJ (US);
Jason S. Spitz, Whitehouse Station, NJ (US)

(73) Assignee: **Schering Corporation**, Kenilworth, NJ (US)

(**) Term: **14 Years**

(21) Appl. No.: **29/156,129**

(22) Filed: **Feb. 22, 2002**

(51) **LOC (7) Cl.** **10-04**

(52) **U.S. Cl.** **D10/97**

(58) **Field of Search** D10/97; 128/200.12,
128/200.14, 200.18, 200.24, 200.25; 116/308

(56) **References Cited**

U.S. PATENT DOCUMENTS

5,482,030	A *	1/1996	Klein	128/200.23
5,871,007	A *	2/1999	Clark, Jr.	128/200.23
6,415,784	B1 *	7/2002	Christrup et al.	128/200.23

* cited by examiner

Primary Examiner—Antoine Duval Davis

(74) *Attorney, Agent, or Firm*—Robert A. Franks

(57) **CLAIM**

The ornamental design for a counting device, as shown and described.

DESCRIPTION

FIG. 1 is a perspective view of a counting device, showing the top, the left side and the front of our new design;

FIG. 2 is an elevational view of the front of the counting device;

FIG. 3 is an elevational view of the back of the counting device;

FIG. 4 is an elevational view of the left side of the counting device;

FIG. 5 is an elevational view of the right side of the counting device;

FIG. 6 is a plan view of the top of the counting device;

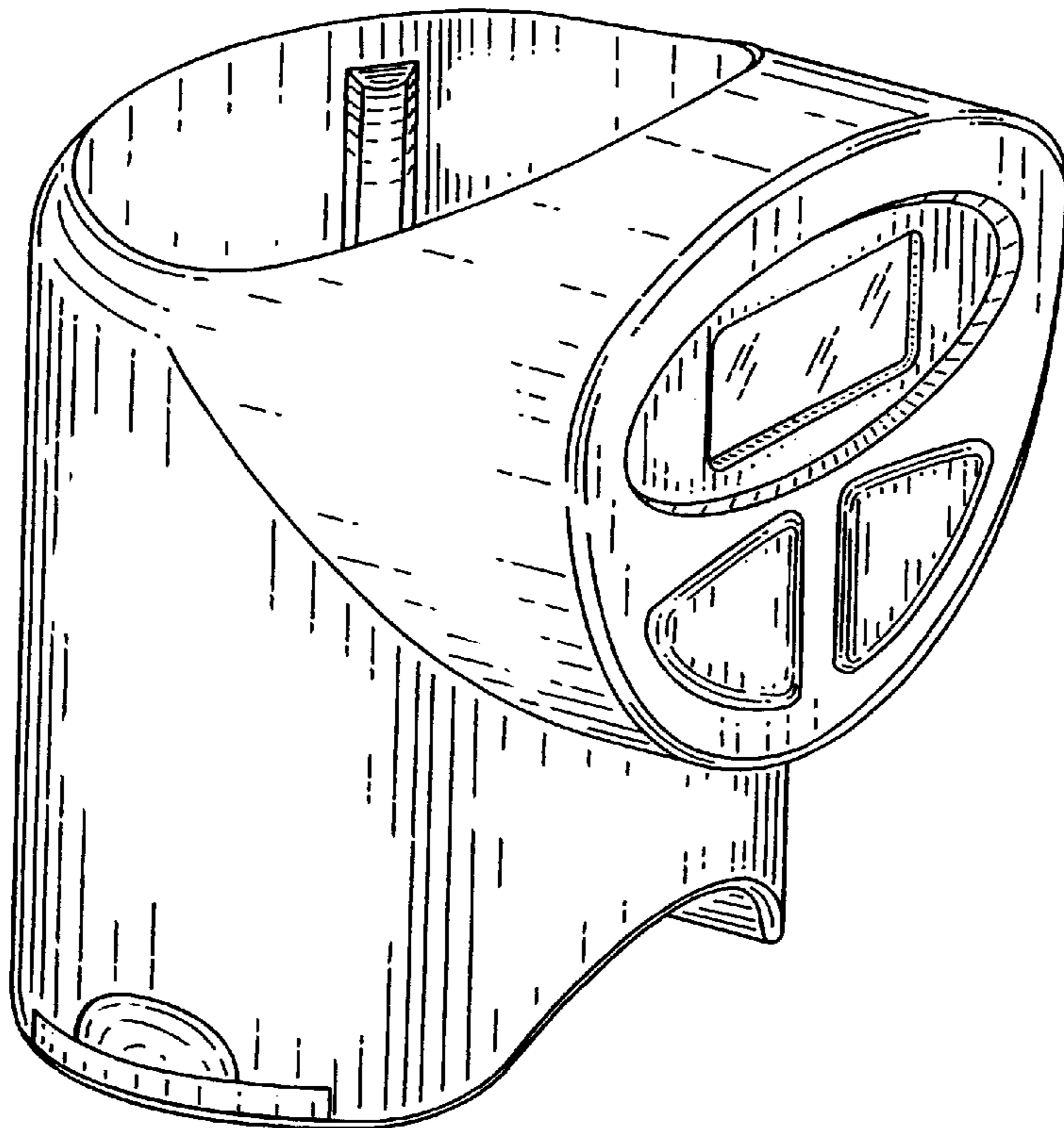
FIG. 7 is a plan view of the bottom of the counting device;

FIG. 8 is a perspective view as in FIG. 1, additionally showing in outline a spray container, having a cover, installed in the counting device; and,

FIG. 9 is a perspective view as in FIG. 8, showing in outline the spray container, without its cover, installed in the counting device.

In FIGS. 8 and 9 the spray container is shown solely for purposes of illustration and is not included in the invention.

1 Claim, 9 Drawing Sheets



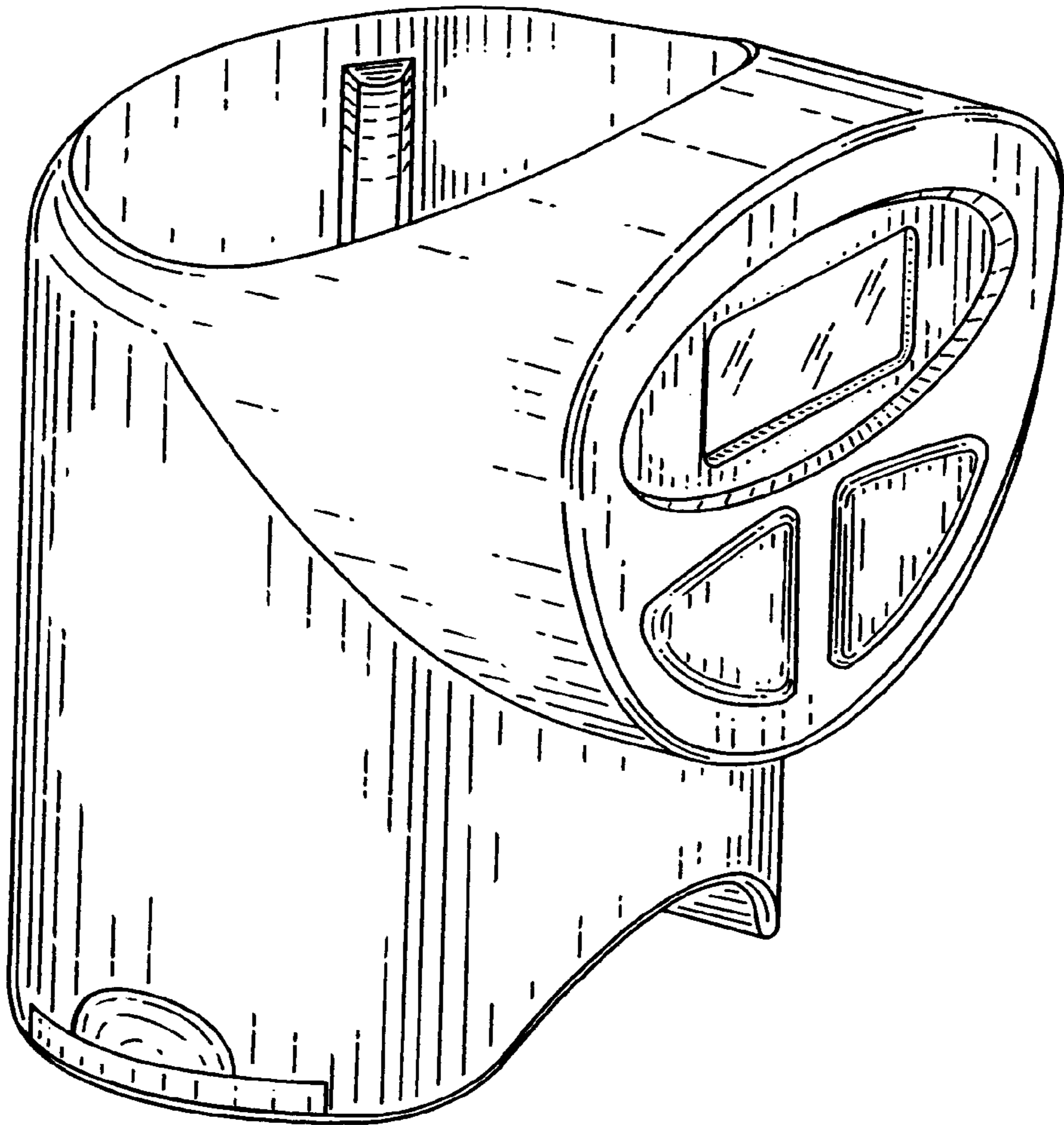


FIG. 1

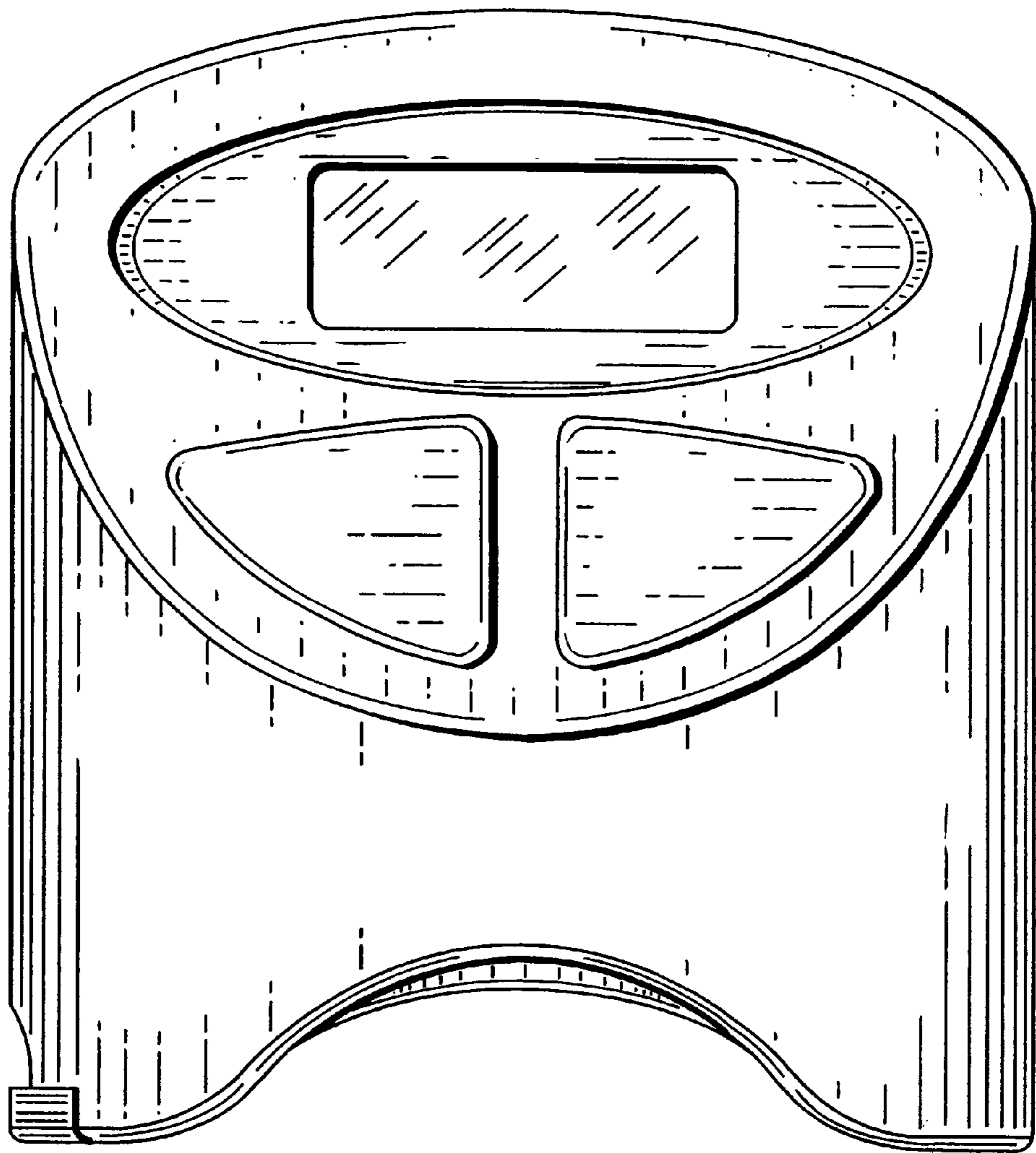


FIG. 2

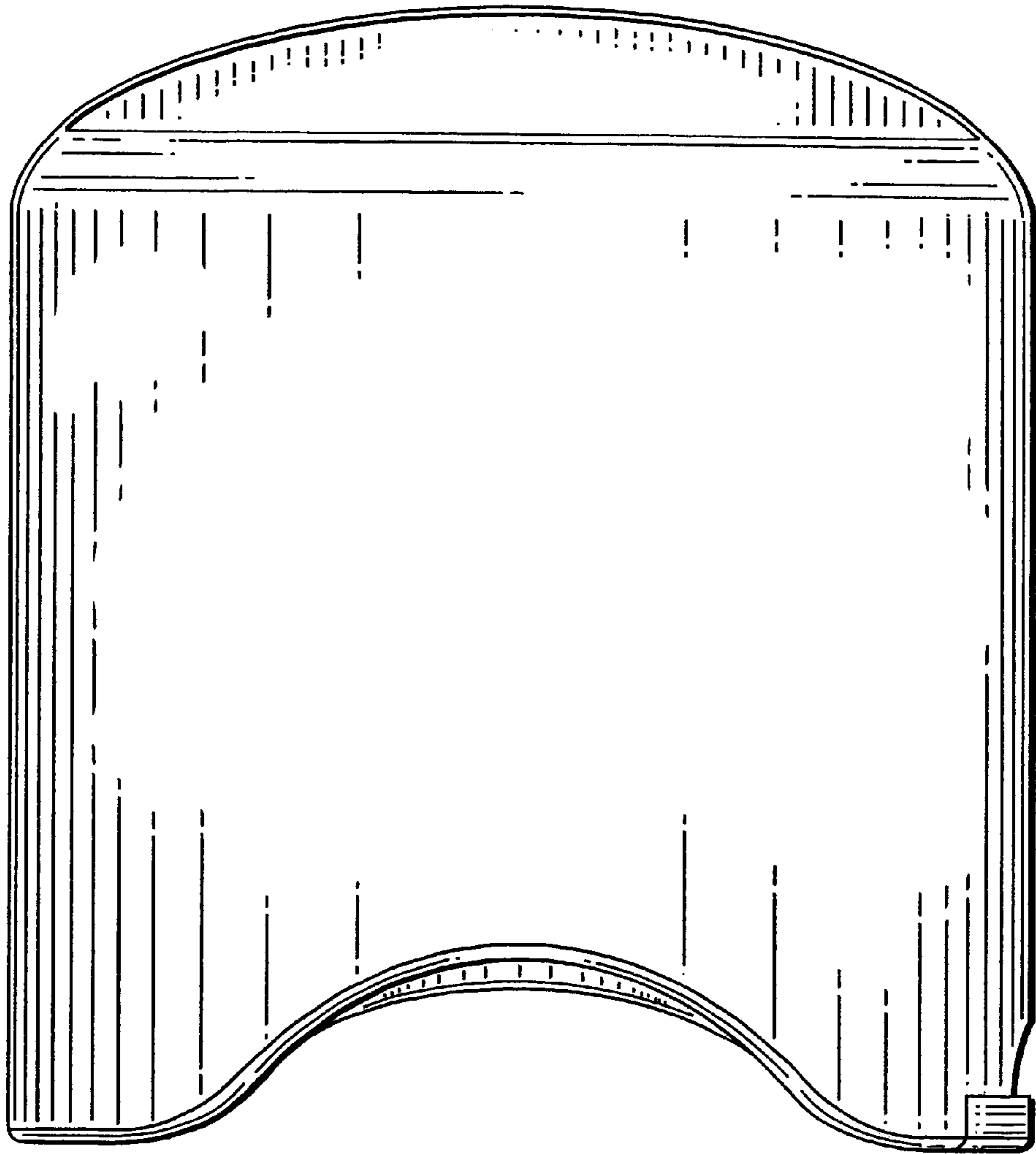


FIG. 3

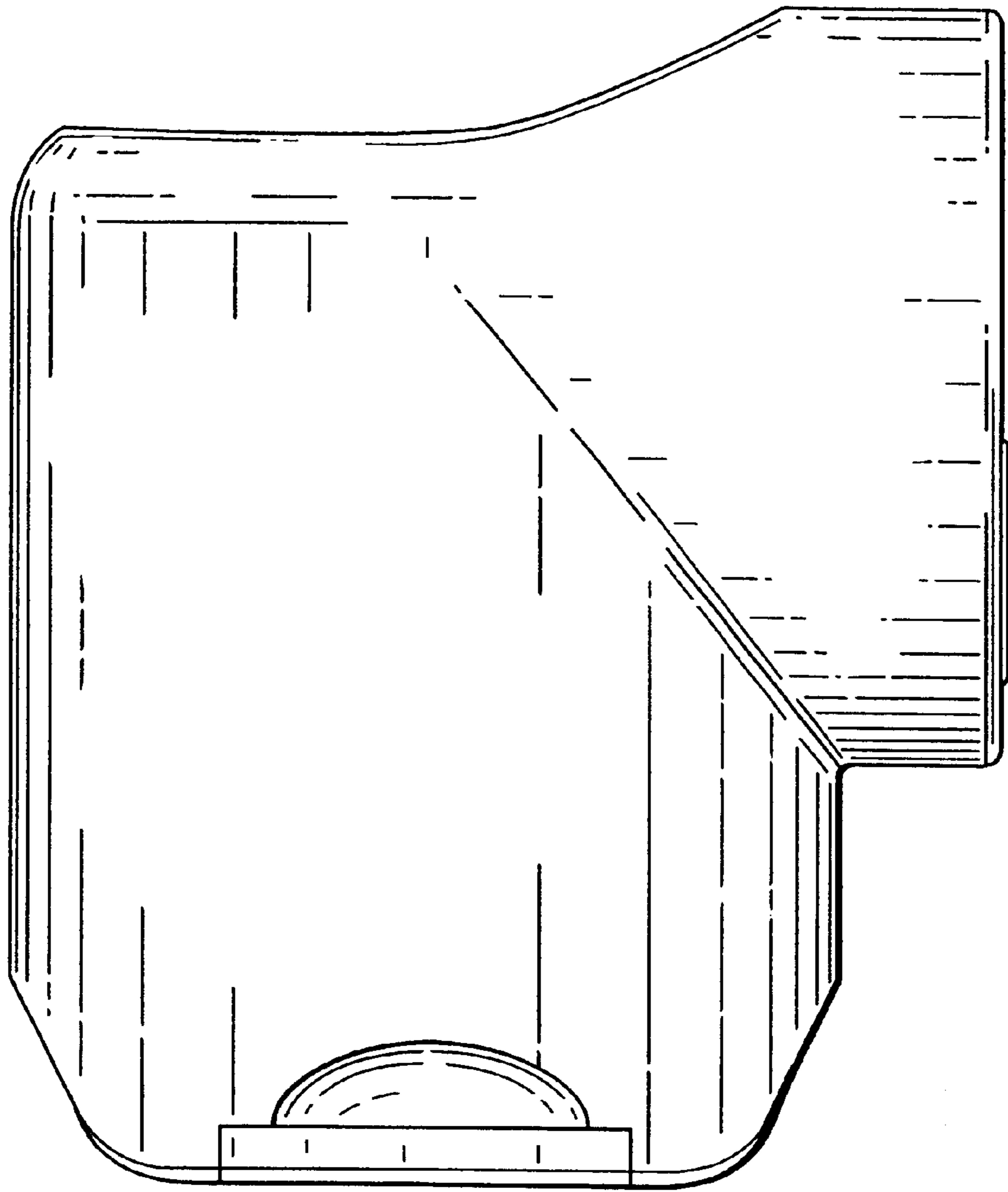


FIG. 4

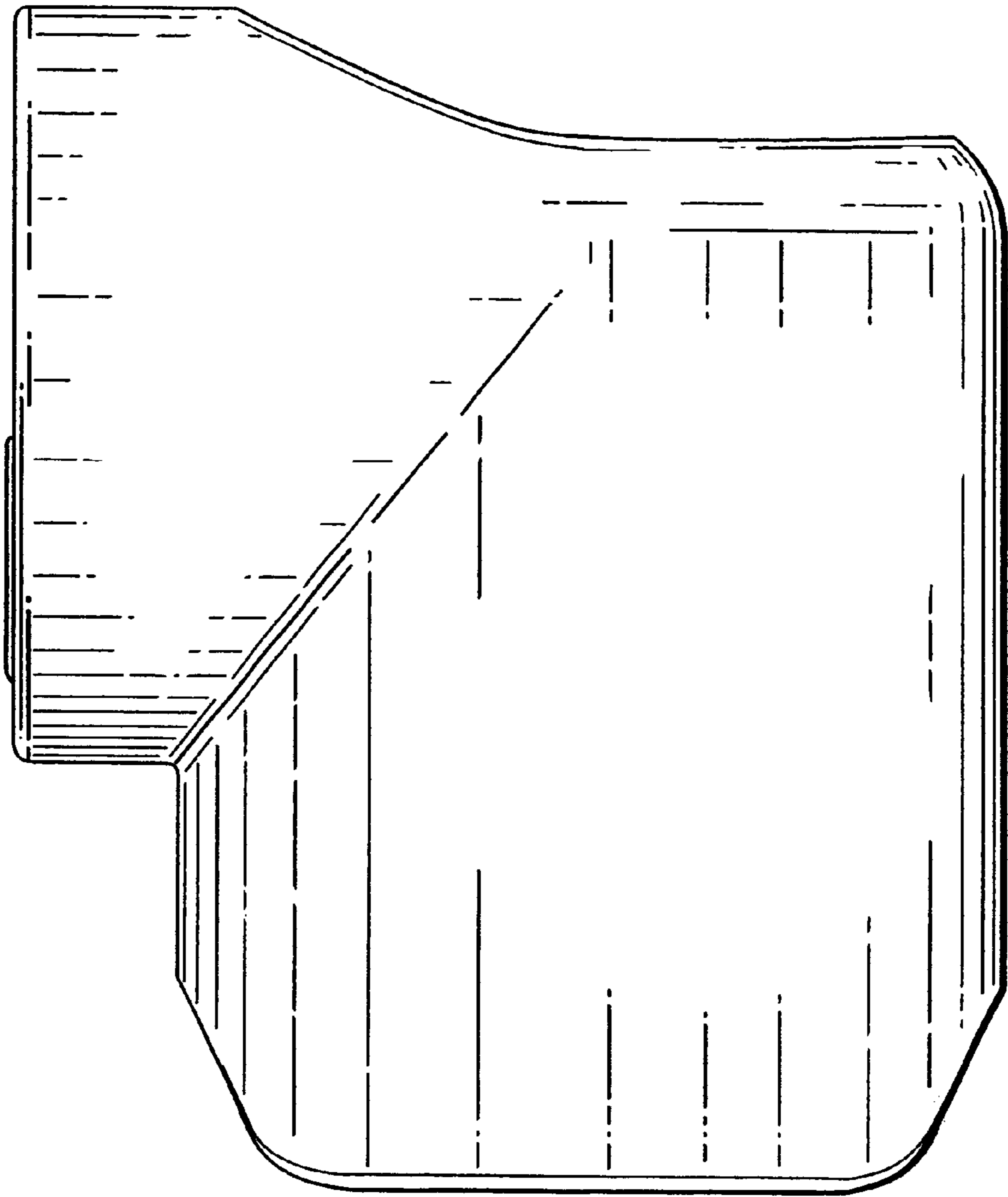


FIG. 5

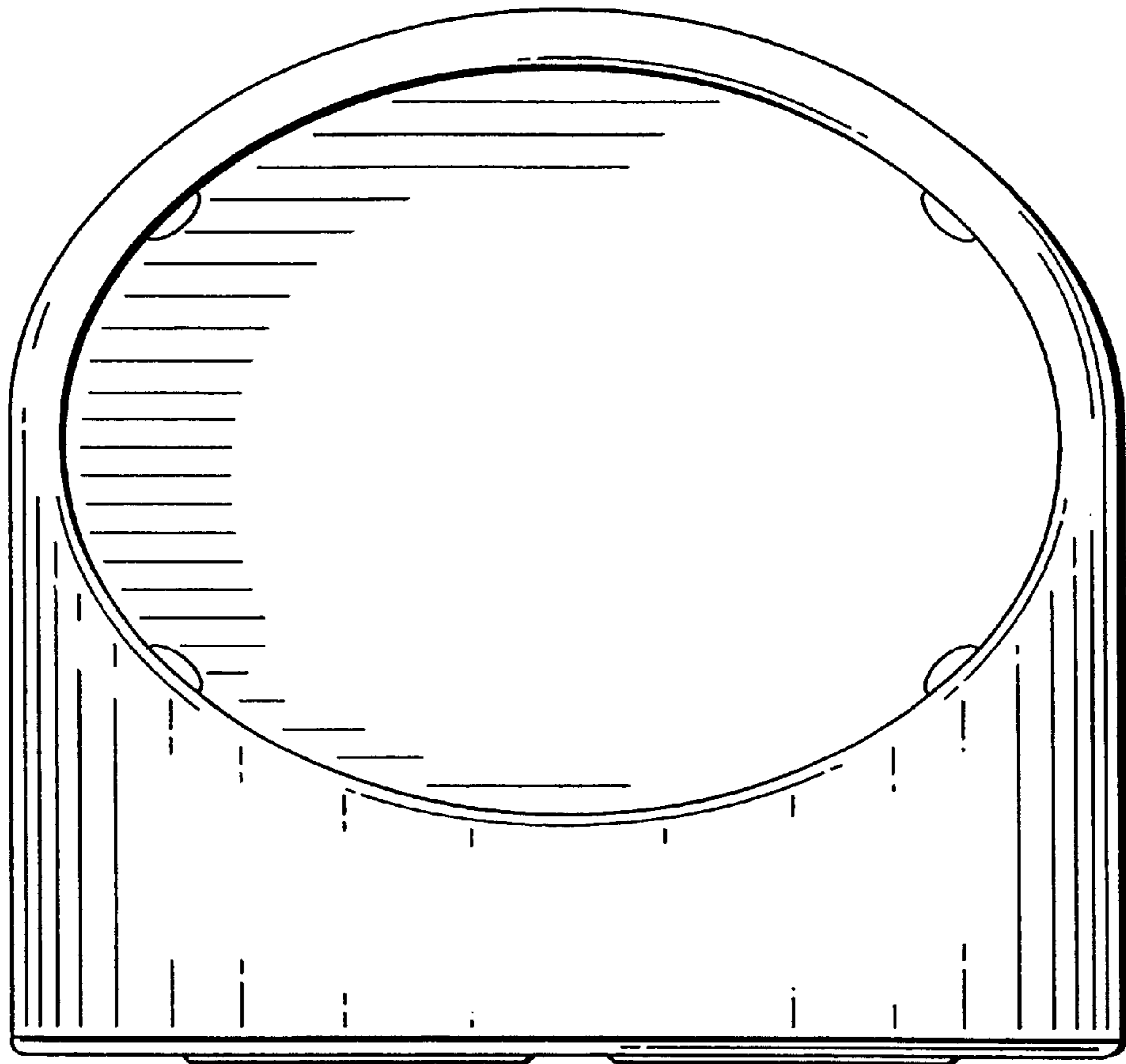


FIG. 6

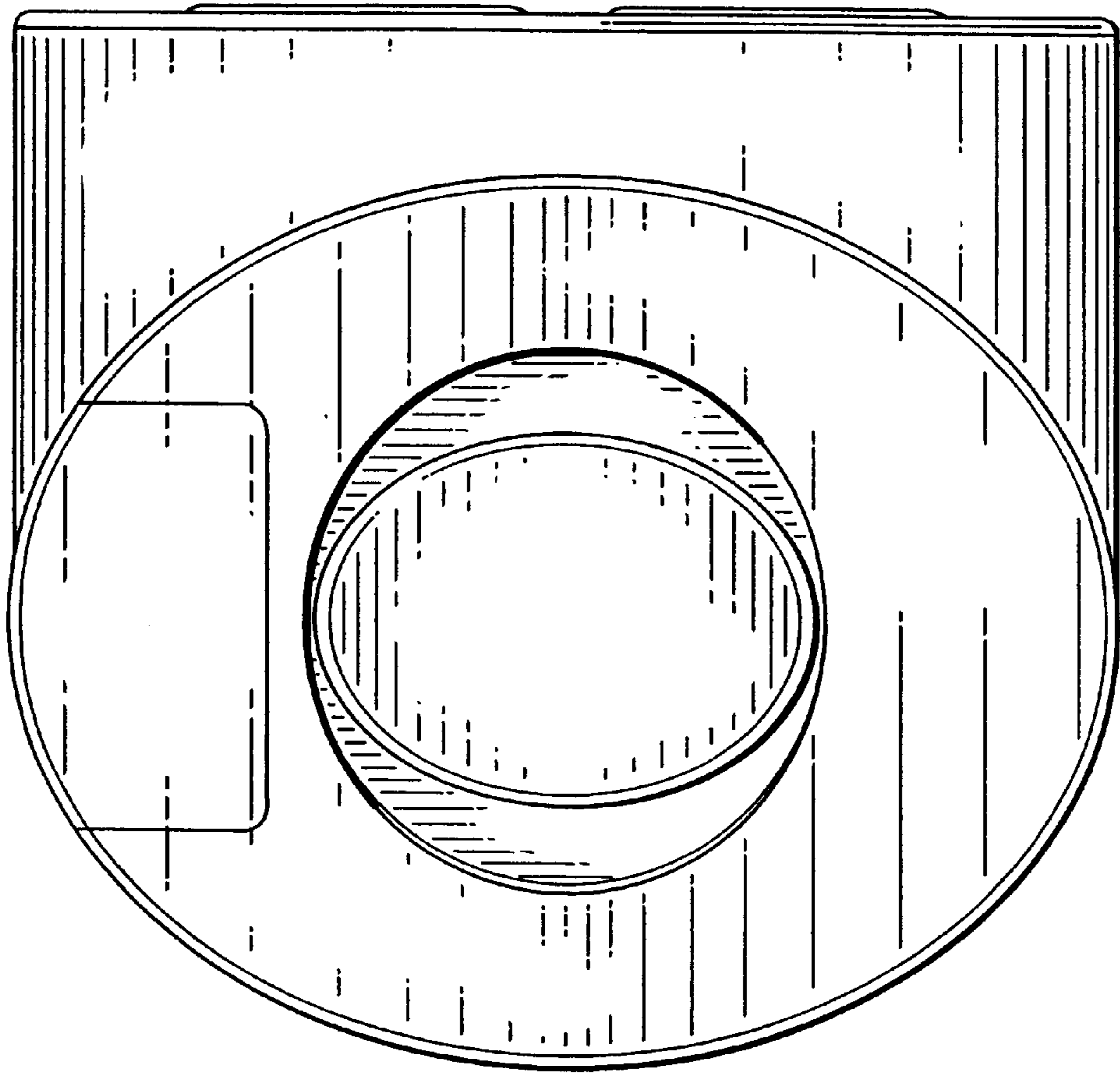


FIG. 7

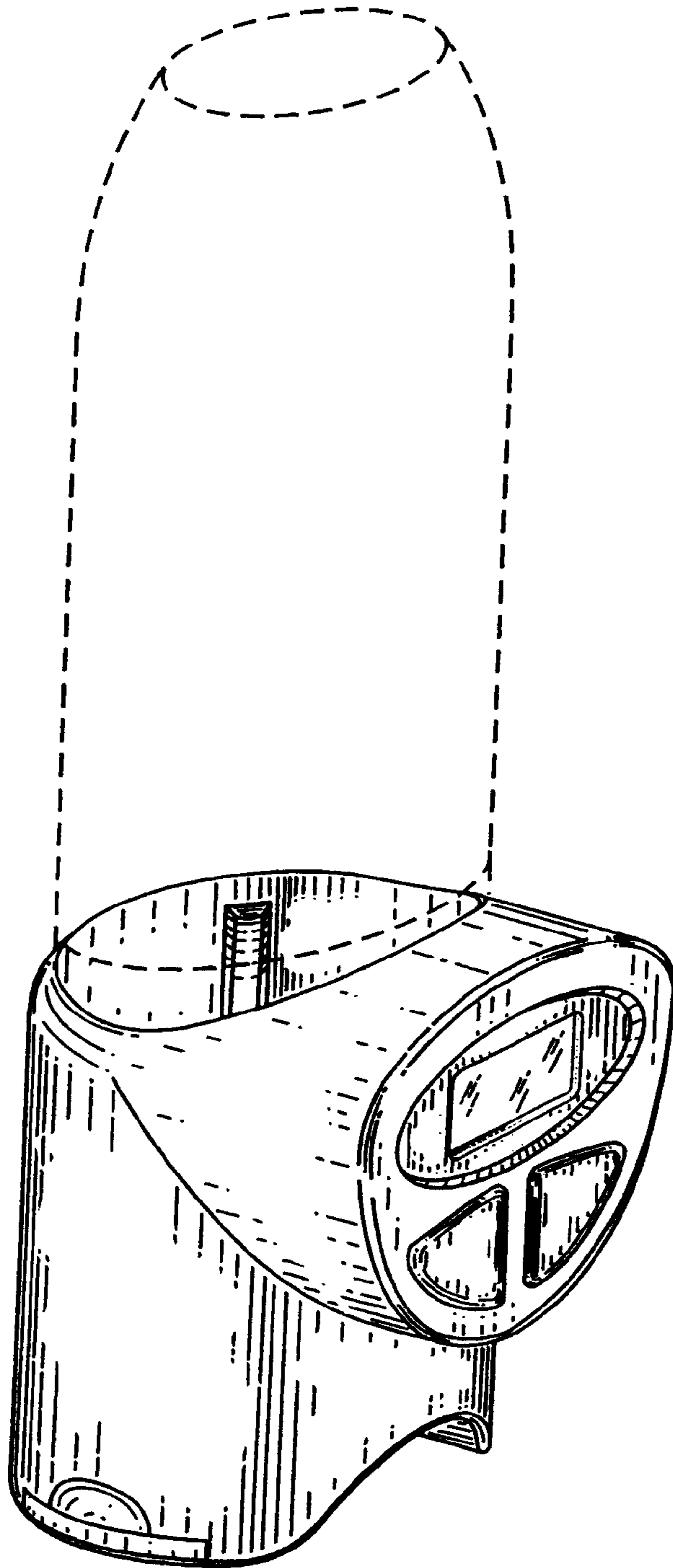


FIG. 8

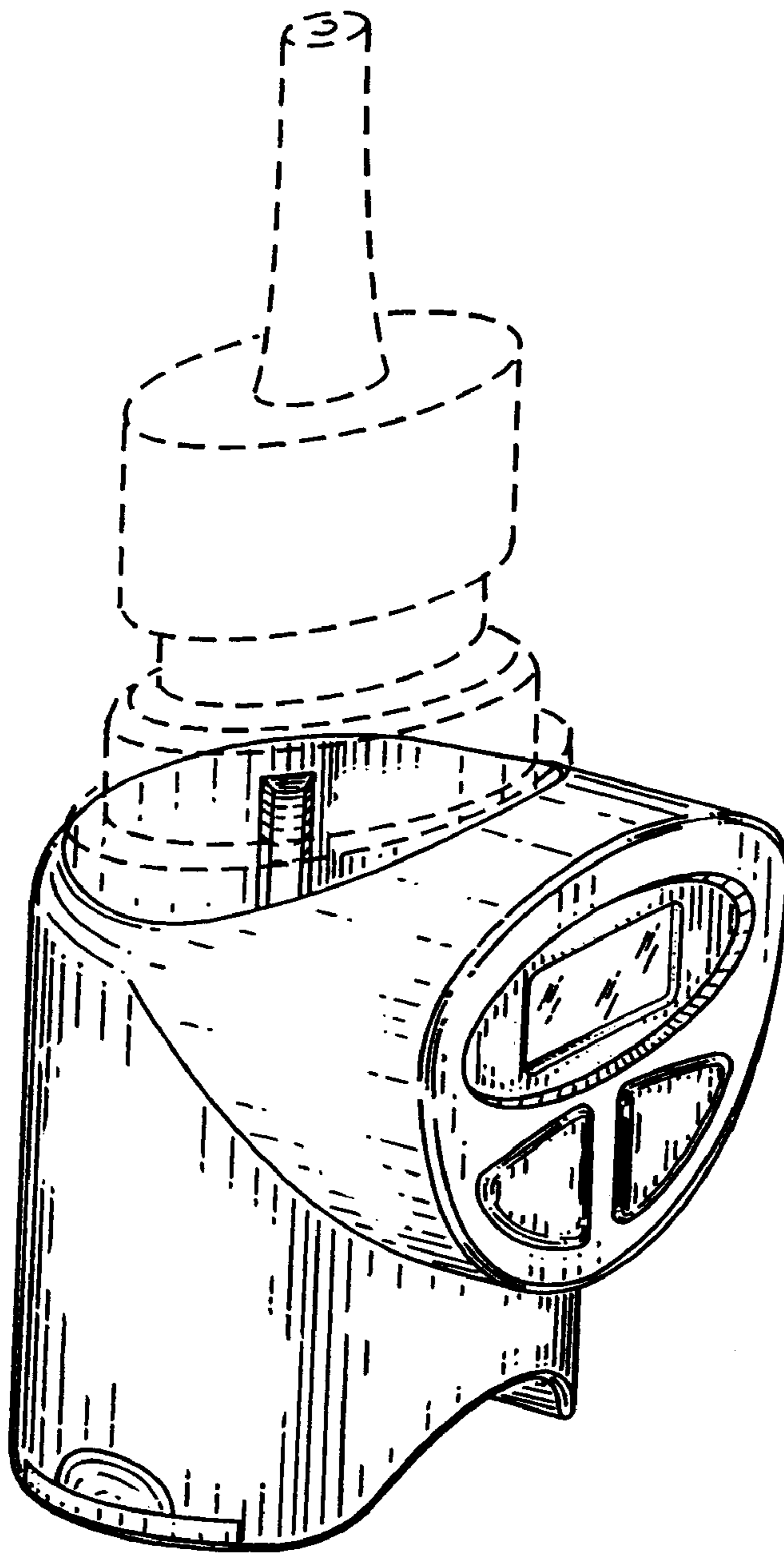


FIG. 9