



US00D471828S

(12) **United States Design Patent**
Huang

(10) **Patent No.:** **US D471,828 S**

(45) **Date of Patent:** **** Mar. 18, 2003**

(54) **NETWORK CABLE TESTING DEVICE**

D446,736 S * 8/2001 Chen D10/78

(76) Inventor: **Hobbes Huang**, Fl.3, No.4, Lane 40,
Bo Jue St., Hsi Chin City, Taipei Hsien
(TW)

* cited by examiner

Primary Examiner—Antoine Duval Davis
(74) *Attorney, Agent, or Firm*—Rosenberg, Klein & Lee

(**) Term: **14 Years**

(57) **CLAIM**

(21) Appl. No.: **29/159,643**

The ornamental design for a “network cable testing device”,
as shown and described.

(22) Filed: **Apr. 26, 2002**

DESCRIPTION

(51) **LOC (7) Cl.** **10-04**

(52) **U.S. Cl.** **D10/78**

(58) **Field of Search** D10/78; 439/528;
702/9; 379/1.01–35; 370/241, 241.1, 242–253,
901–911

FIG. 1 is the perspective view of a “network cable testing
device” showing my new design;

FIG. 2 is the front view thereof;

FIG. 3 is the rear view thereof;

FIG. 4 is the left side view thereof;

FIG. 5 is the right side view thereof;

FIG. 6 is the top view thereof;

FIG. 7 is the bottom view thereof; and,

FIG. 8 is the perspective view showing the practical usage
thereof.

(56) **References Cited**

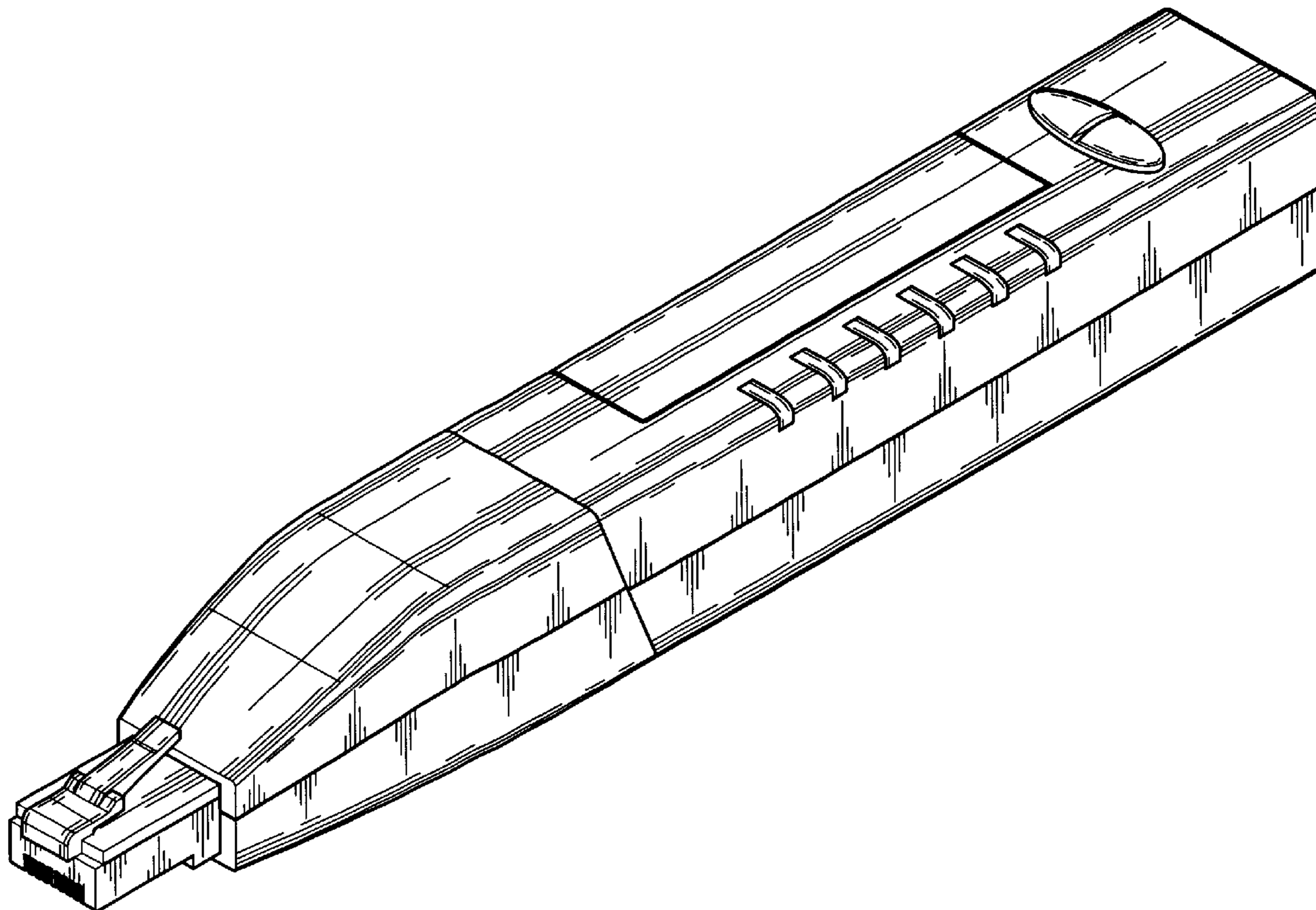
U.S. PATENT DOCUMENTS

D351,562 S * 10/1994 Moffatt et al. D10/78

D383,988 S * 9/1997 Luebke D10/78

D410,203 S * 5/1999 Beha D10/78

1 Claim, 5 Drawing Sheets



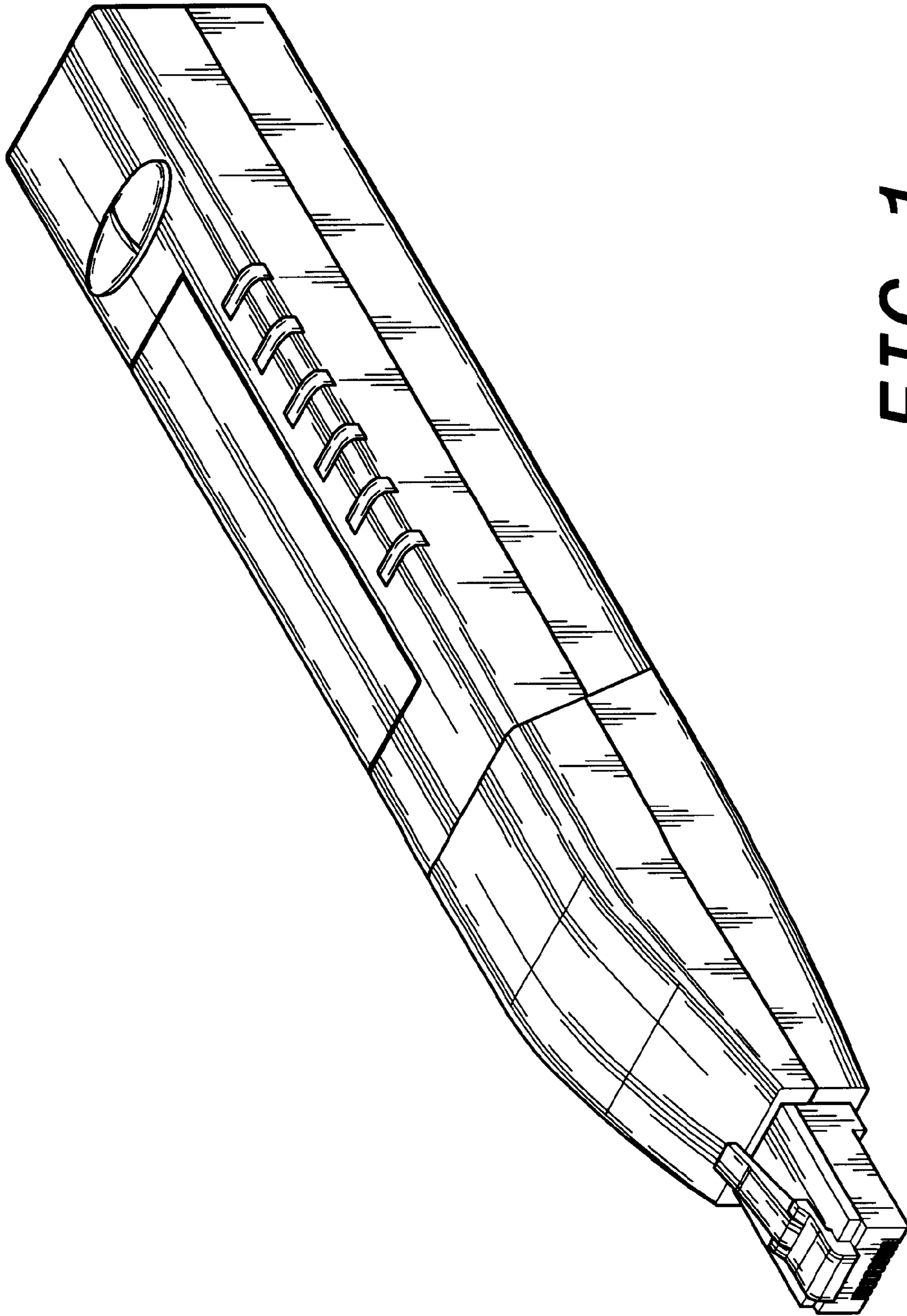


FIG. 1

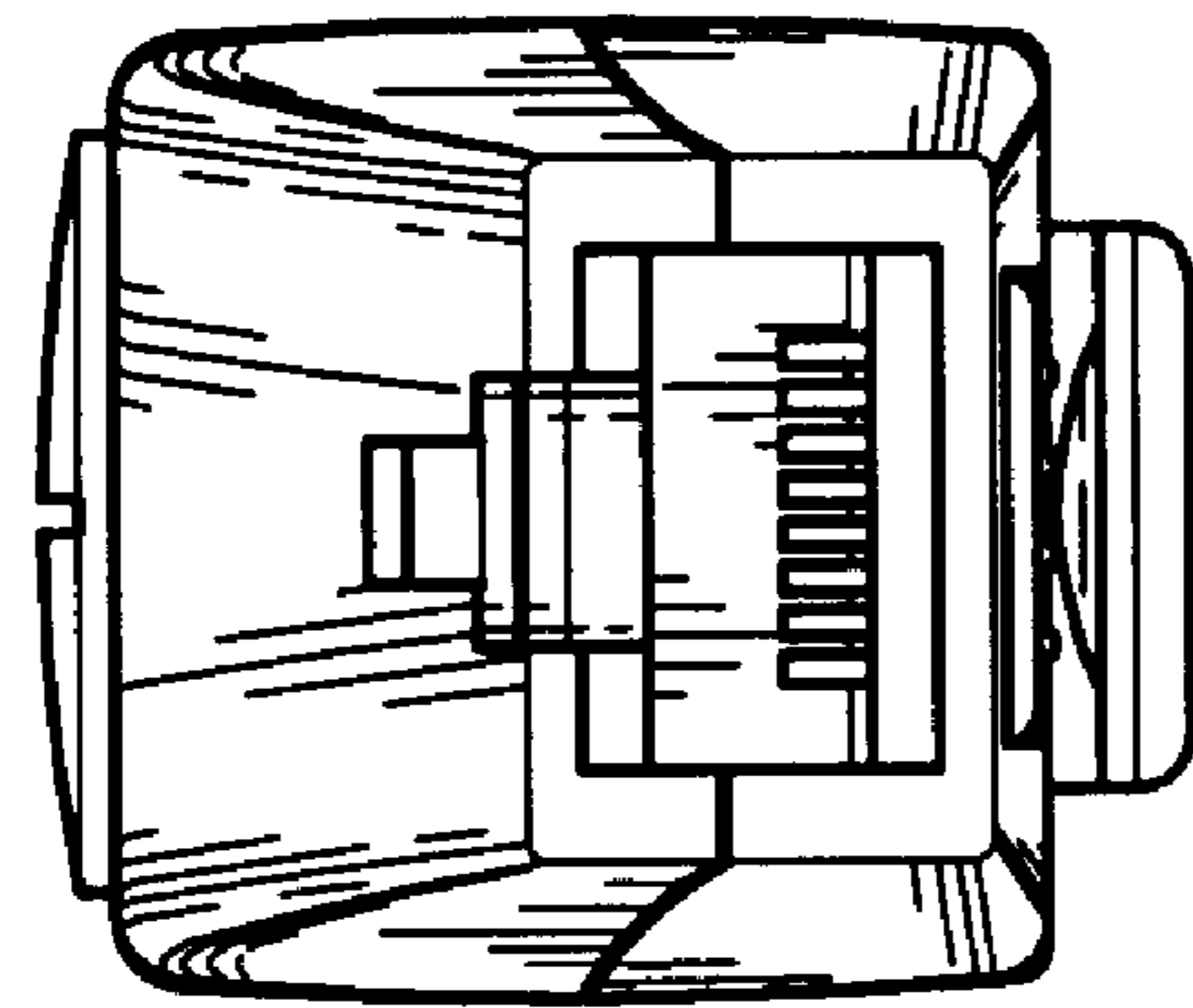


FIG. 2

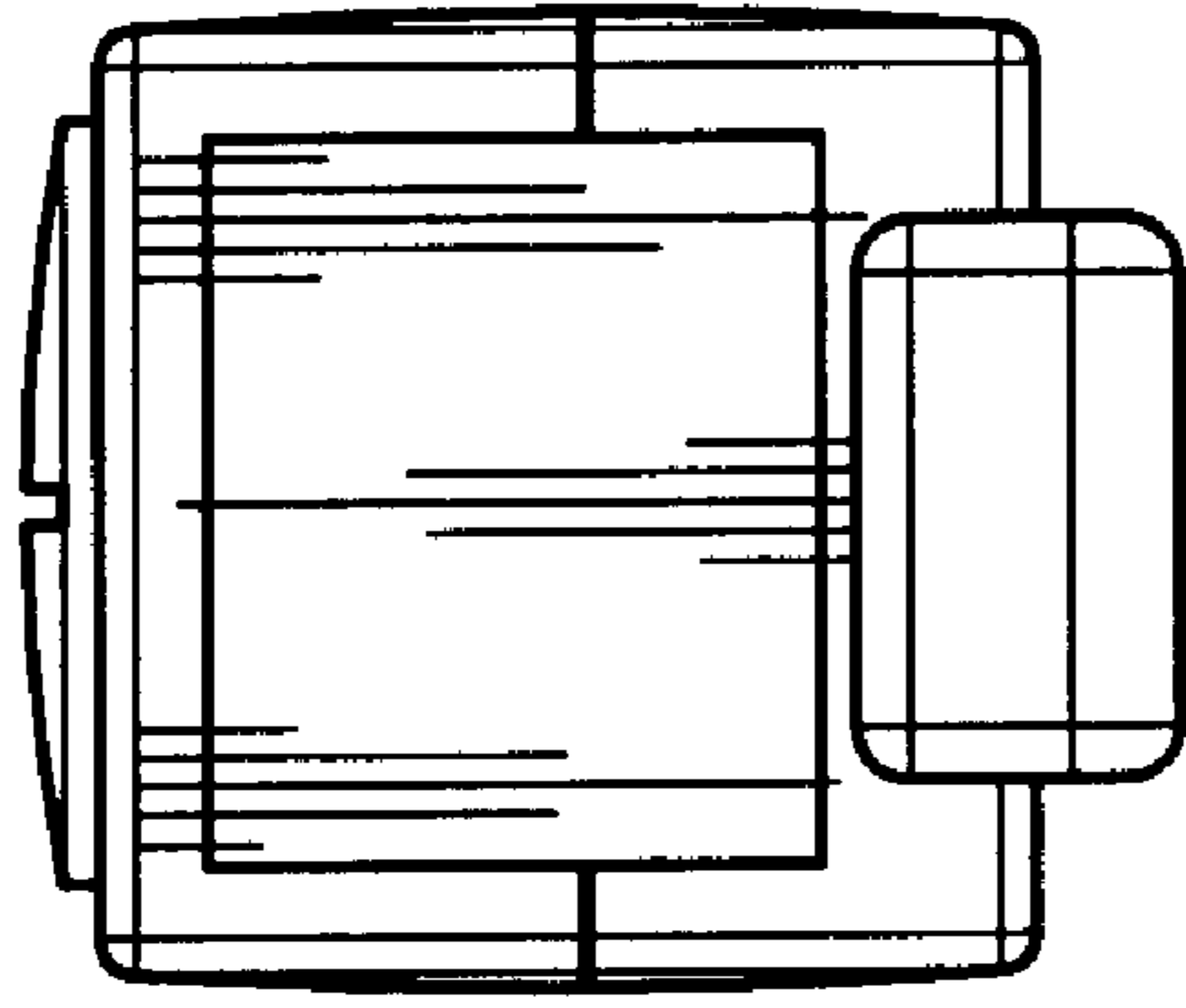


FIG. 3

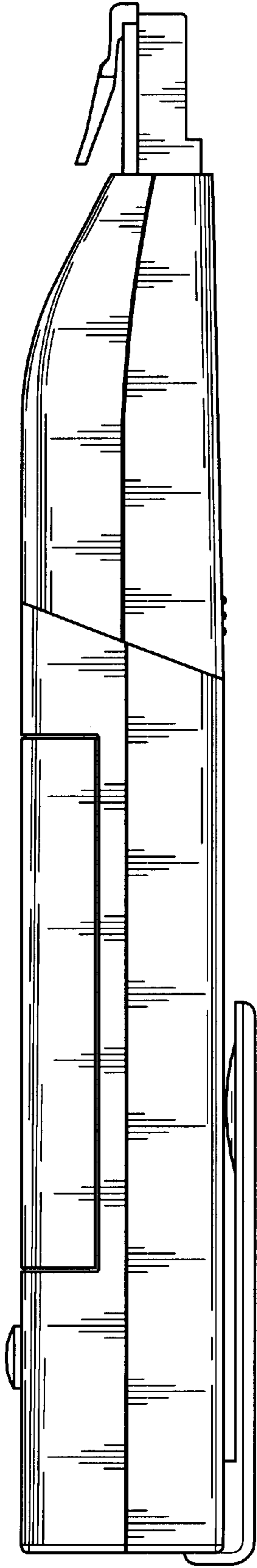


FIG. 4

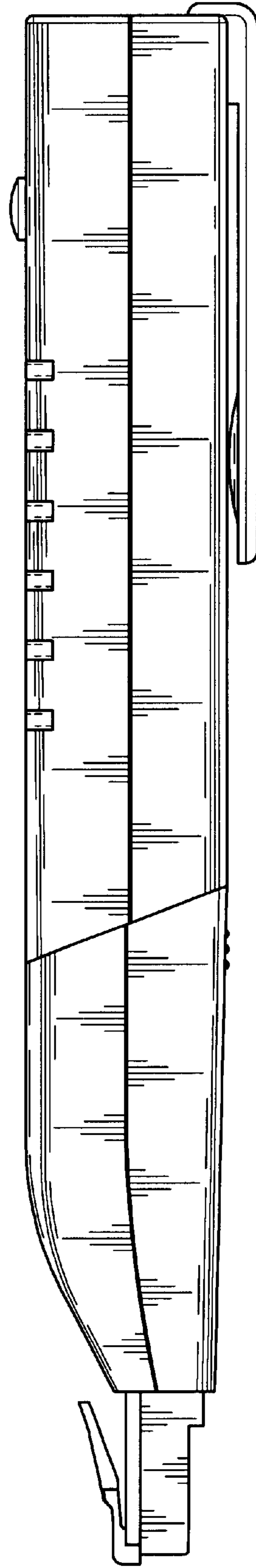


FIG. 5

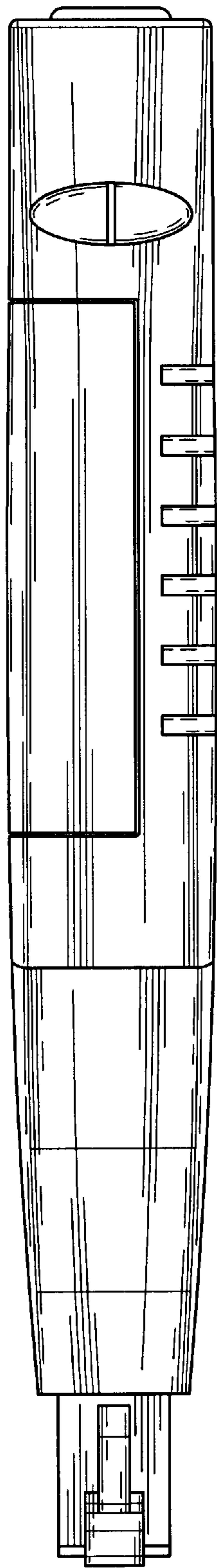


FIG. 6

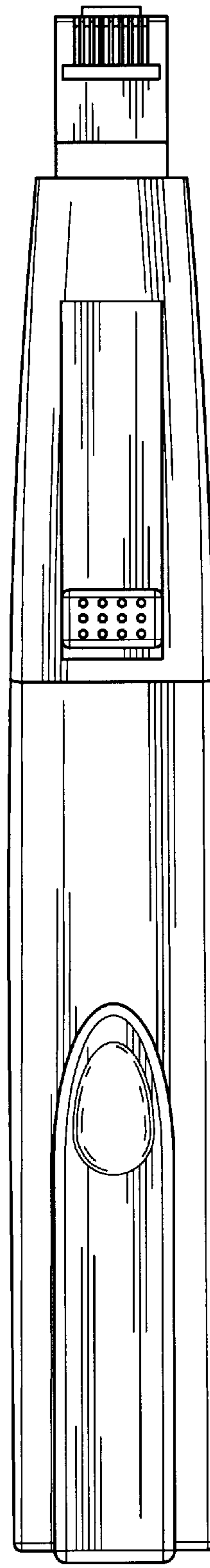


FIG. 7

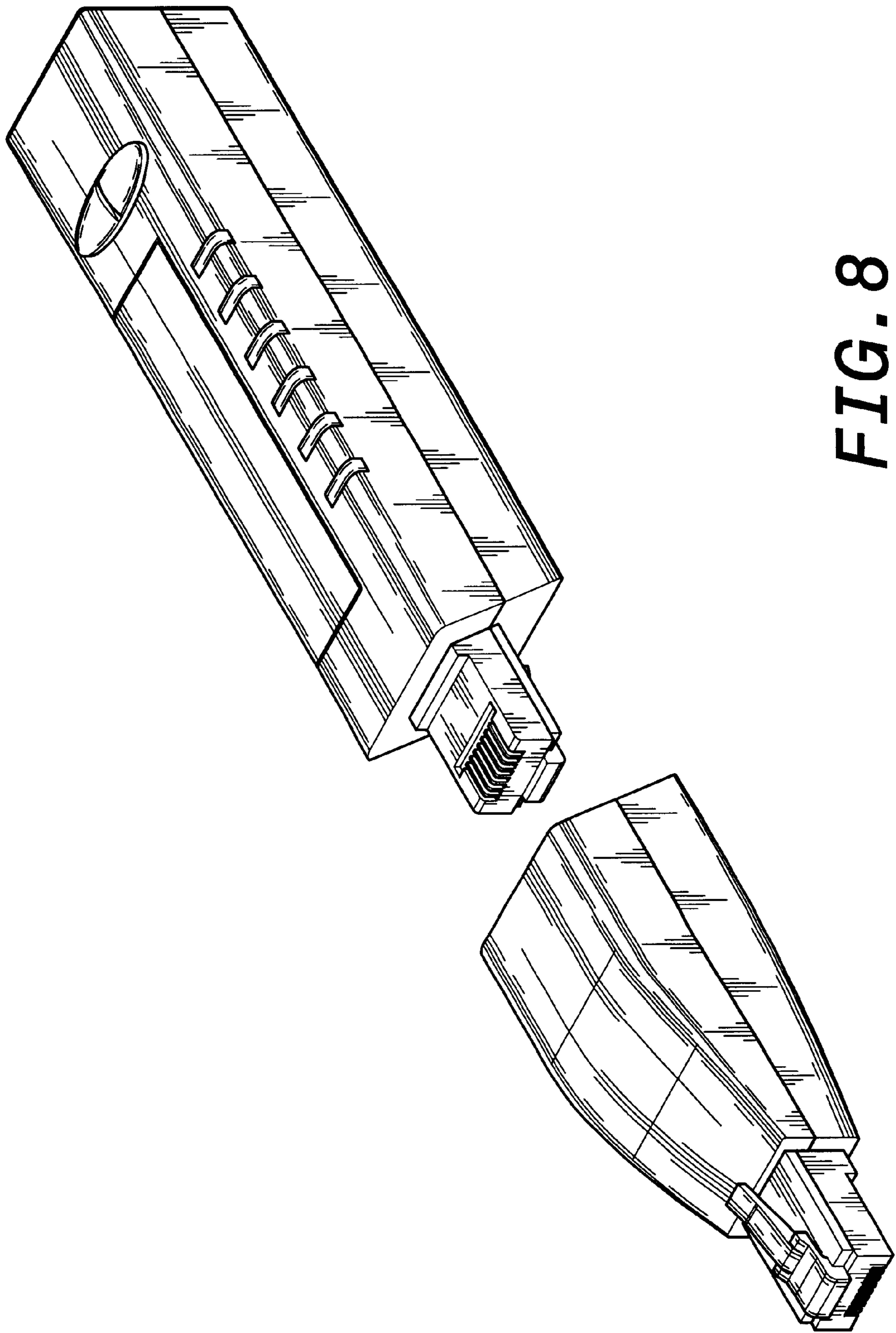


FIG. 8