



US00D471825S

(12) **United States Design Patent**
Peabody

(10) **Patent No.:** **US D471,825 S**

(45) **Date of Patent:** **** Mar. 18, 2003**

(54) **THERMOSTAT**

(76) **Inventor:** **Steven R. Peabody**, P.O. Box 207,
Zionsville, IN (US) 46077

(**) **Term:** **14 Years**

(21) **Appl. No.:** **29/155,543**

(22) **Filed:** **Feb. 13, 2002**

(51) **LOC (7) Cl.** **10-04**

(52) **U.S. Cl.** **D10/50**

(58) **Field of Search** D10/49, 50; 200/343;
236/46 R, 47, 49.3, 51, 84, 94; 361/680,
681; 400/495

(56) **References Cited**

U.S. PATENT DOCUMENTS

D288,670 S * 3/1987 Steiner D10/50
D390,482 S * 2/1998 Pasquarette D10/50

* cited by examiner

Primary Examiner—Antoine Duval Davis
(74) *Attorney, Agent, or Firm*—Richard L. Huff

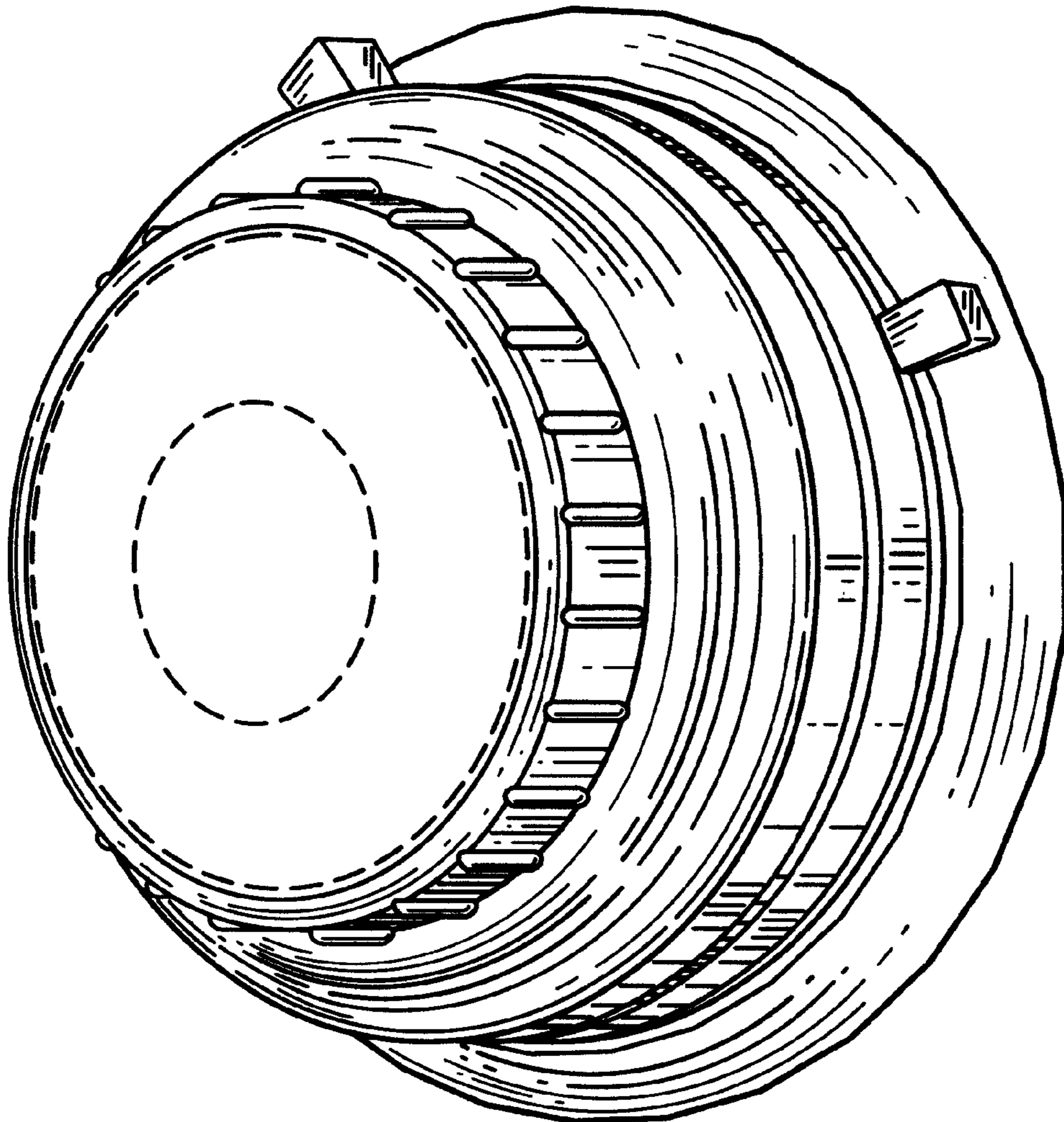
(57) **CLAIM**

The ornamental design for a thermostat, as shown and described.

DESCRIPTION

FIG. 1 is an elevational perspective view of a thermostat;
FIG. 2 is a front view of the thermostat;
FIG. 3 is a rear view of the thermostat;
FIG. 4 is a side view of the thermostat;
FIG. 5 is a top view of the thermostat; and,
FIG. 6 is a bottom view of the thermostat.
The broken line showing is for illustrative purposes only and forms no part of the claimed design.

1 Claim, 4 Drawing Sheets



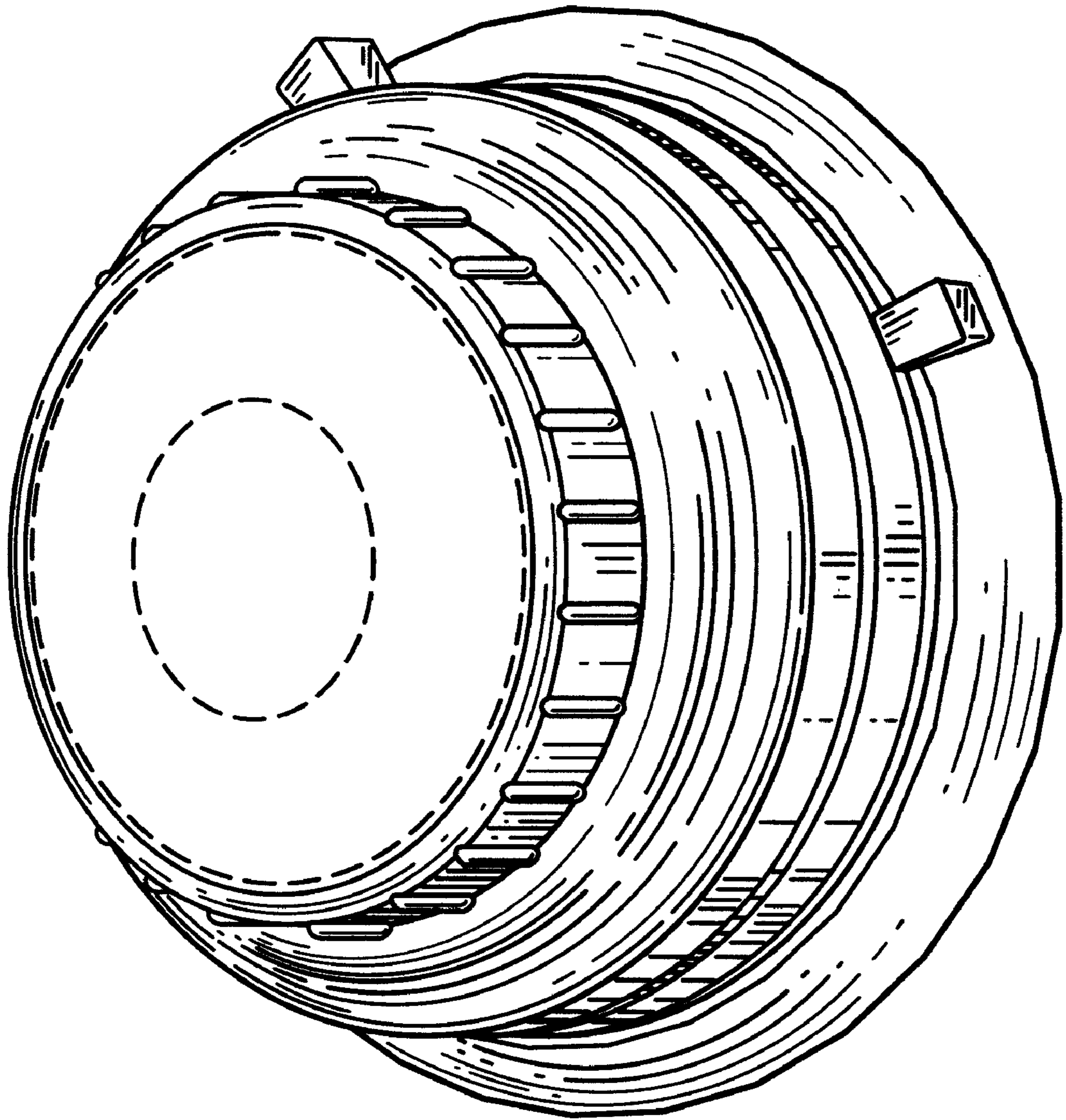


Fig. 1

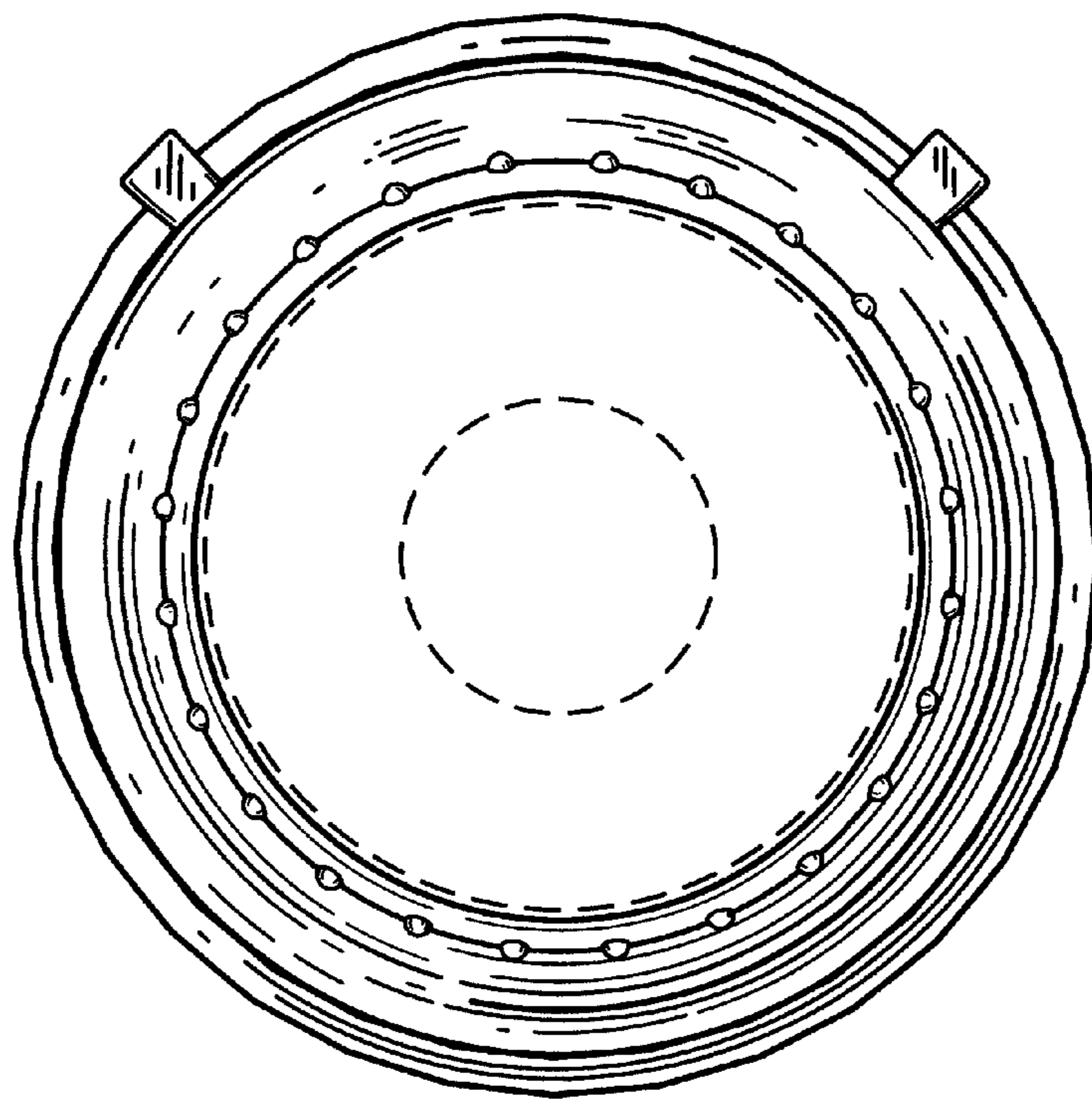


Fig. 2

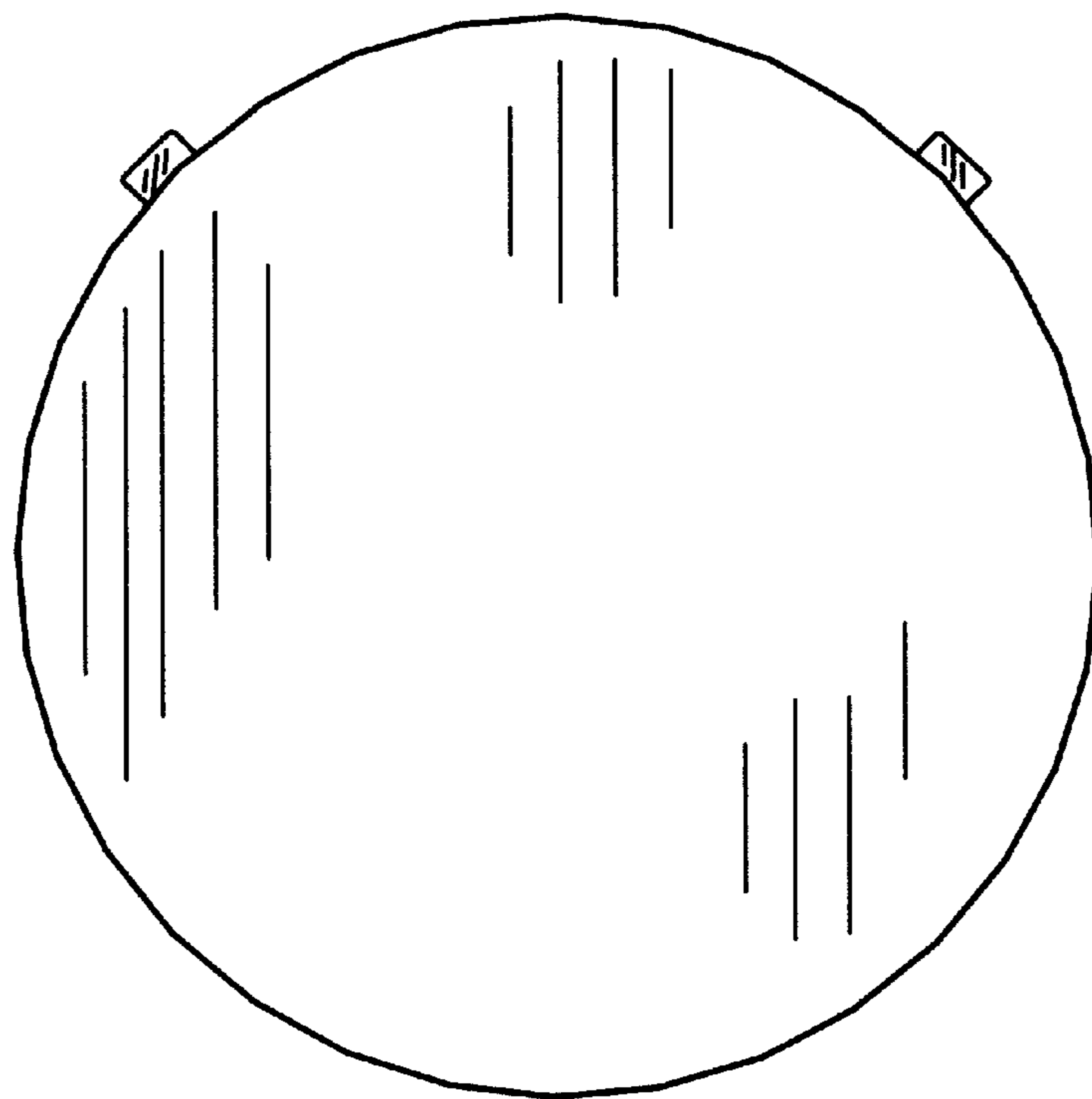


Fig. 3



Fig. 4

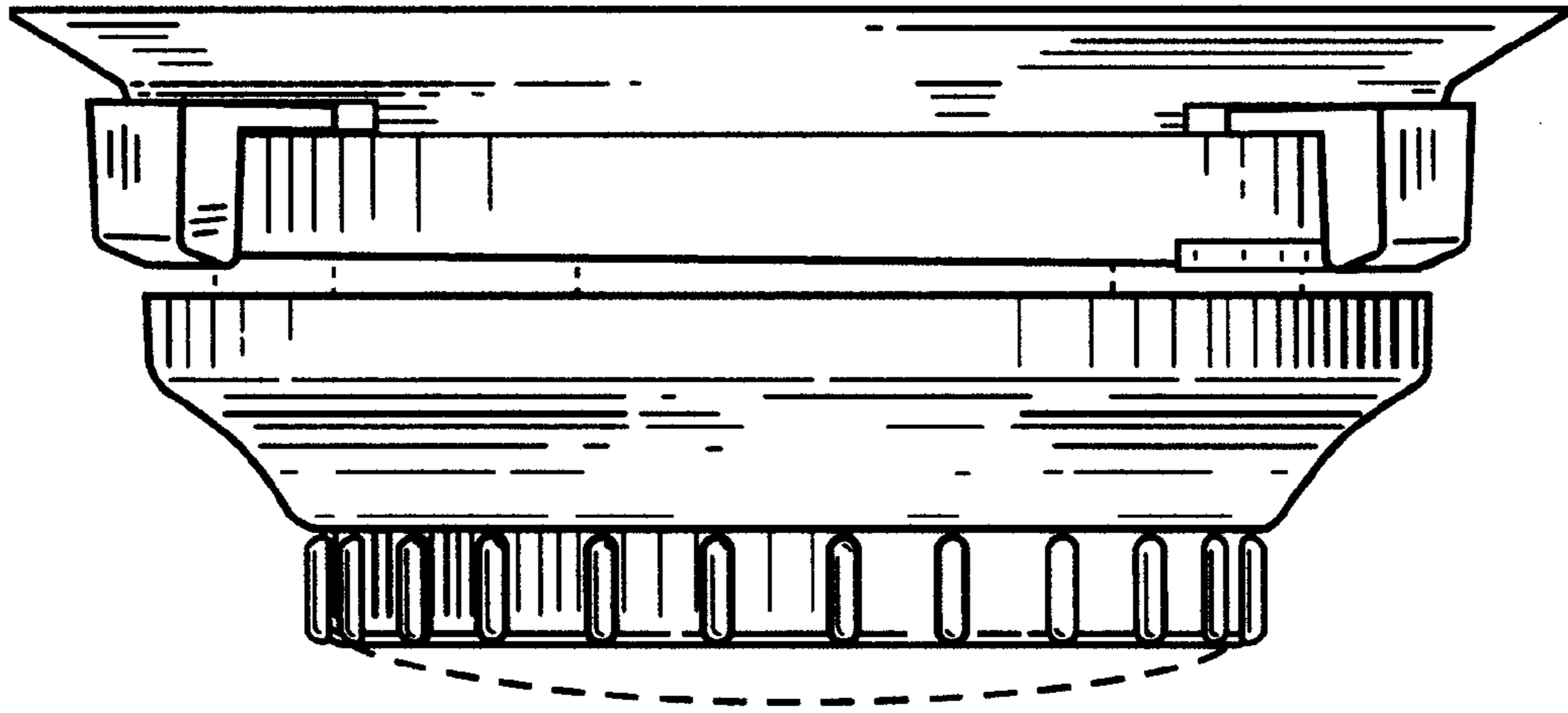


Fig. 5

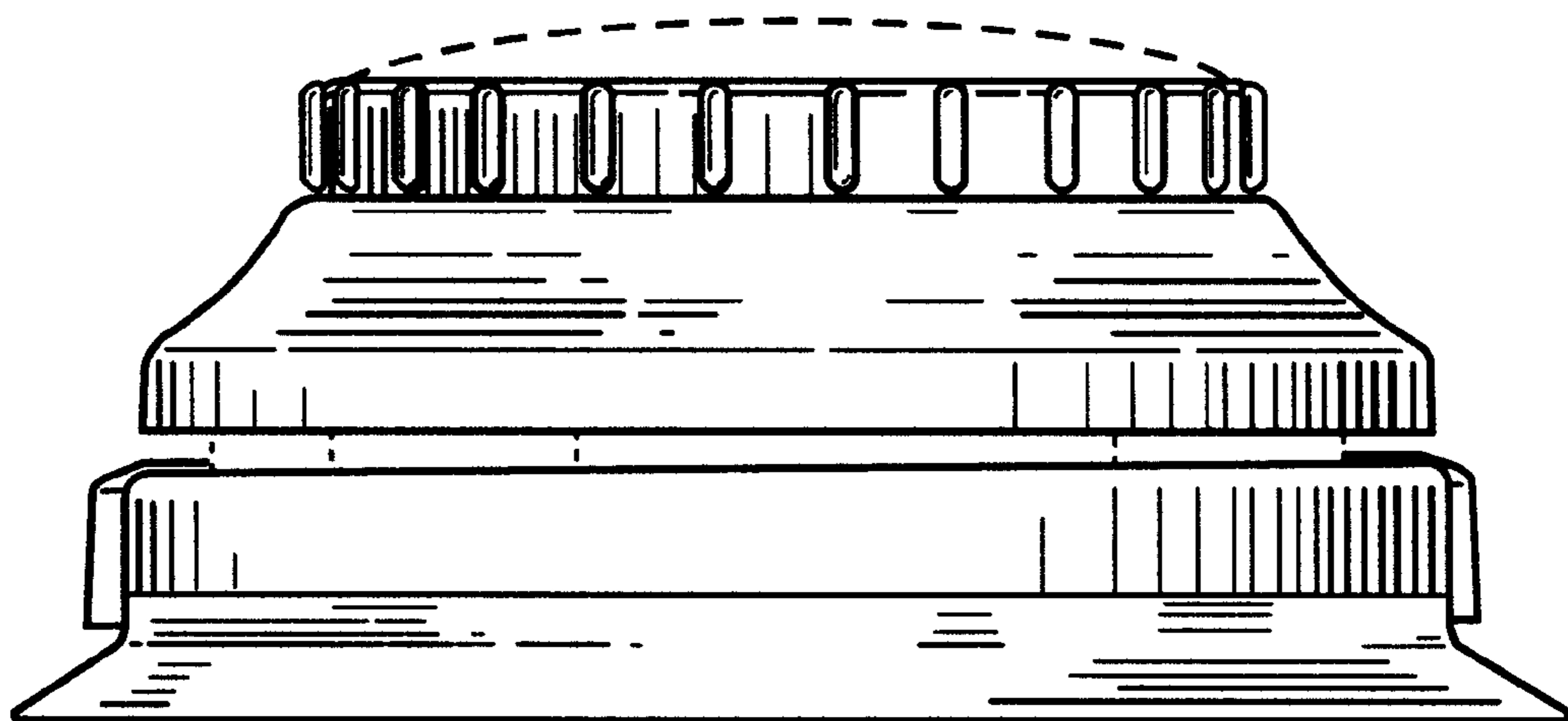


Fig. 6