



US00D471813S

(12) **United States Design Patent**
Shenkar

(10) **Patent No.:** **US D471,813 S**

(45) **Date of Patent:** **** Mar. 18, 2003**

(54) **PLASTIC CLOSURE**

(75) **Inventor:** Emanuel Shenkar, Worth, IL (US)

(73) **Assignee:** Crown Cork & Seal Technologies Corporation, Alsip, IL (US)

(**) **Term:** 14 Years

(21) **Appl. No.:** 29/156,612

(22) **Filed:** Mar. 4, 2002

(51) **LOC (7) Cl.** 09-07

(52) **U.S. Cl.** D9/452; D9/453

(58) **Field of Search** D9/434, 435, 452-454;
215/200, 201, 217, 235, 250, 254; 220/200,
288

(56) **References Cited**

U.S. PATENT DOCUMENTS

4,470,513 A	9/1984	Ostrowsky	
4,801,031 A	1/1989	Barriac	
D318,804 S	* 8/1991	Ochs	D9/453
D351,795 S	* 10/1994	Ogden	D9/453
5,400,913 A	3/1995	Kelly	

D359,682 S	* 6/1995	Miller	D9/434
5,727,705 A	3/1998	Kelly	
6,085,921 A	7/2000	Brown	
6,116,442 A	9/2000	Higgins	
D449,991 S	* 11/2001	King	D9/453

* cited by examiner

Primary Examiner—Dominic Simone

(74) *Attorney, Agent, or Firm*—Knoble & Yoshida, LLC

(57) **CLAIM**

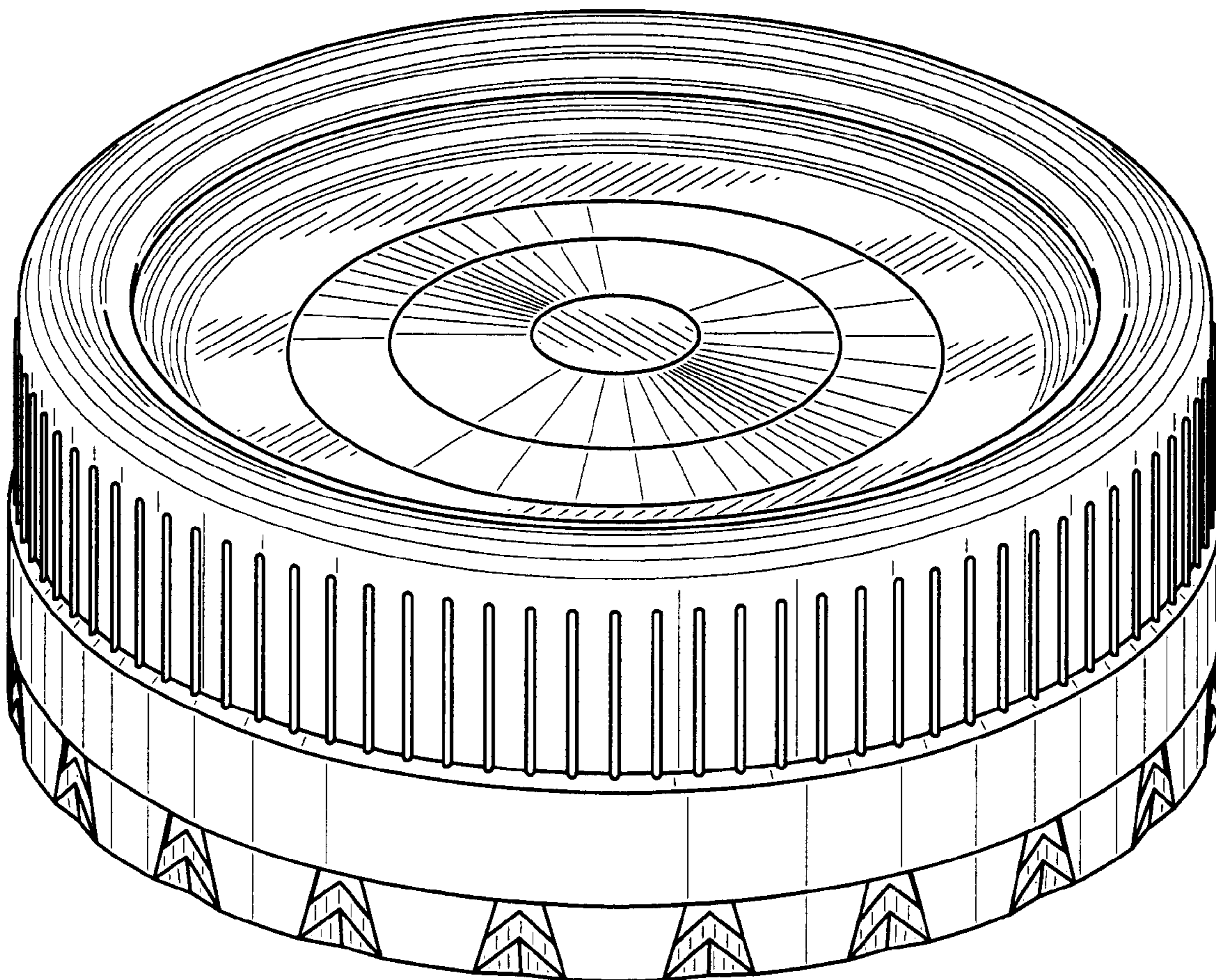
The ornamental design for a “plastic closure,” as shown and described.

DESCRIPTION

FIG. 1 is a perspective view showing my new design;
FIG. 2 is a top plan view;
FIG. 3 is a first side elevational view;
FIG. 4 is a second side elevational view;
FIG. 5 is a front elevational view;
FIG. 6 is a rear elevational view; and,
FIG. 7 is a bottom plan view.

Any broken lines in the drawings depict probable environment only and form no part of the claimed design.

1 Claim, 4 Drawing Sheets



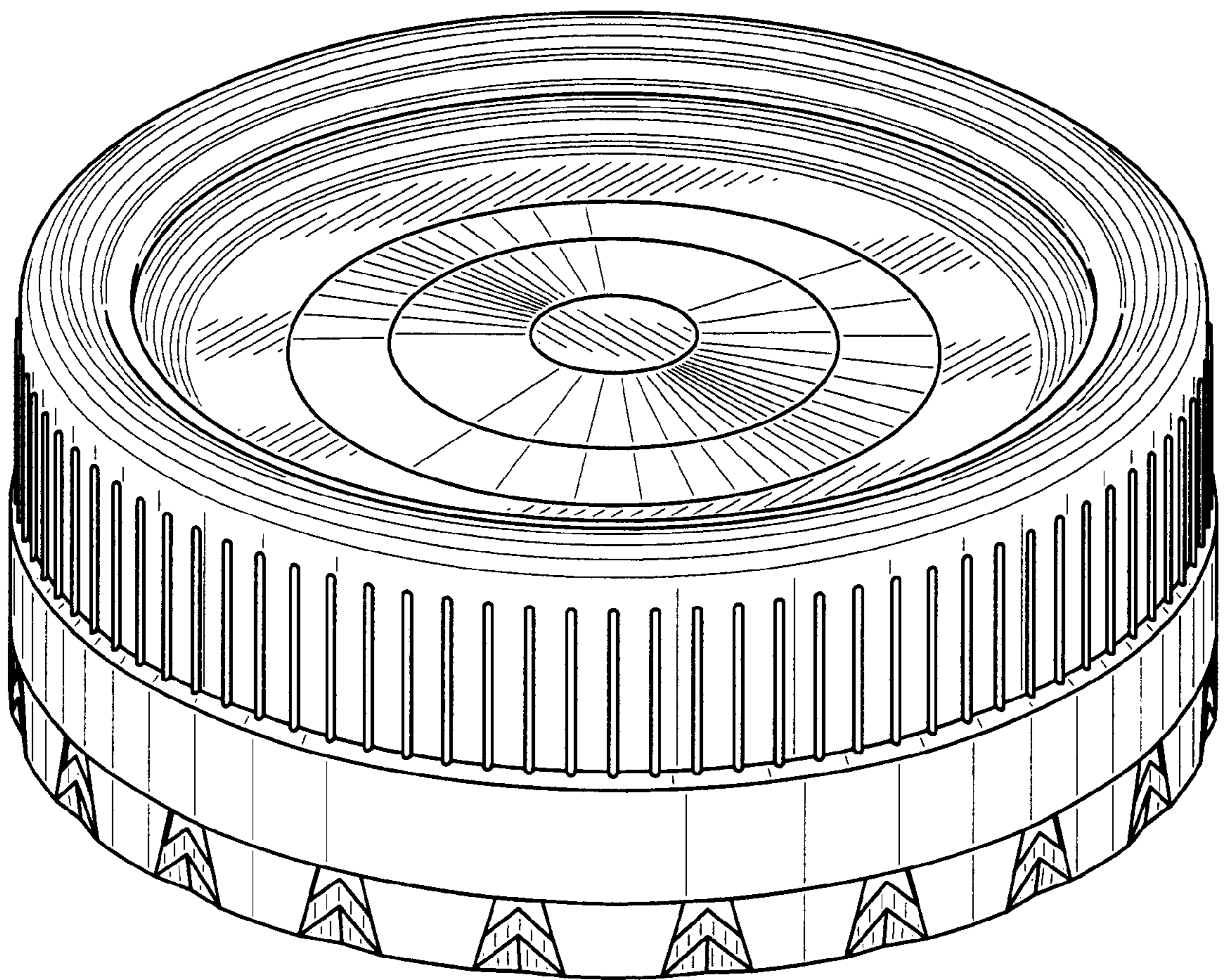


FIG. 1

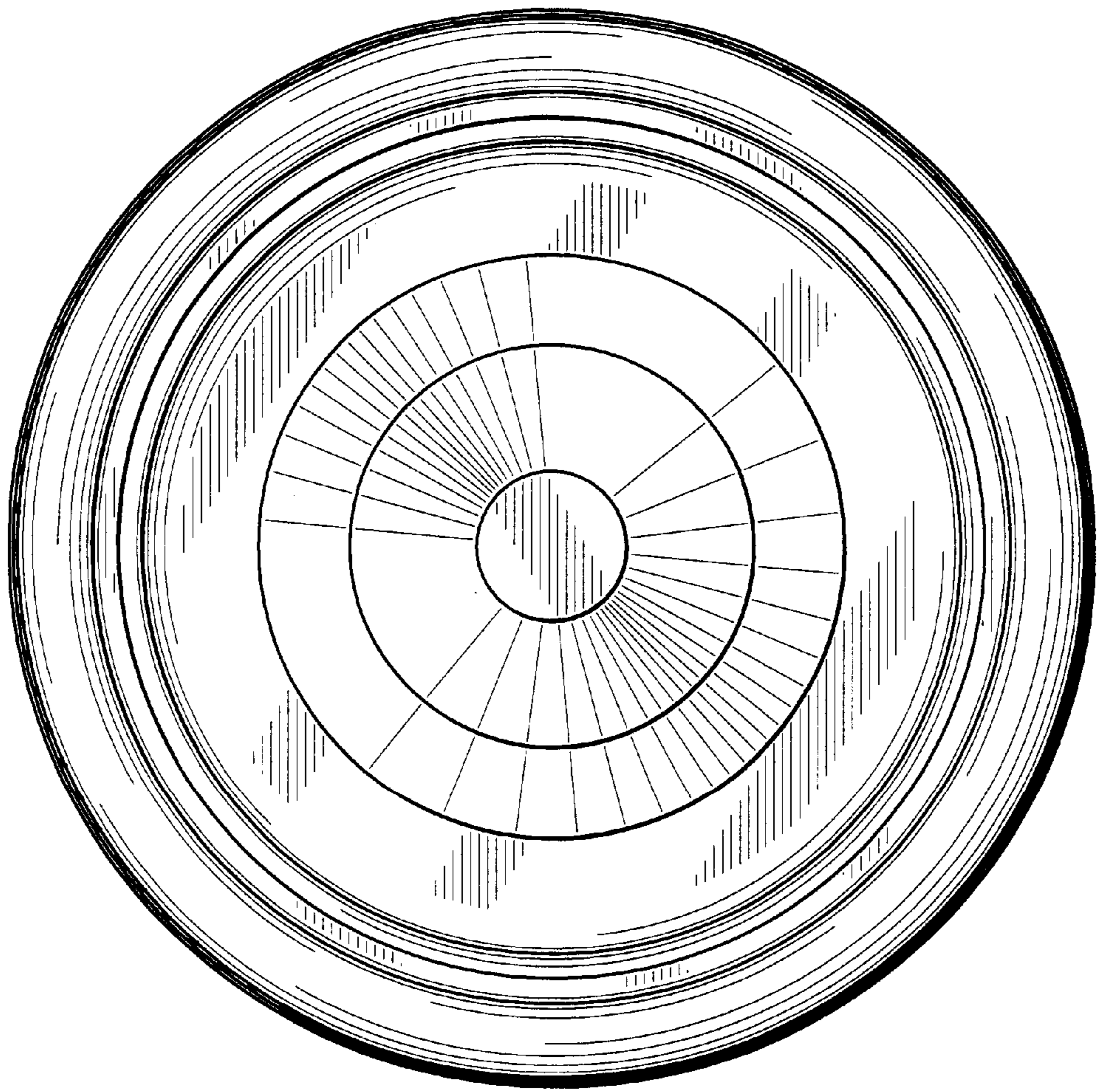


FIG. 2

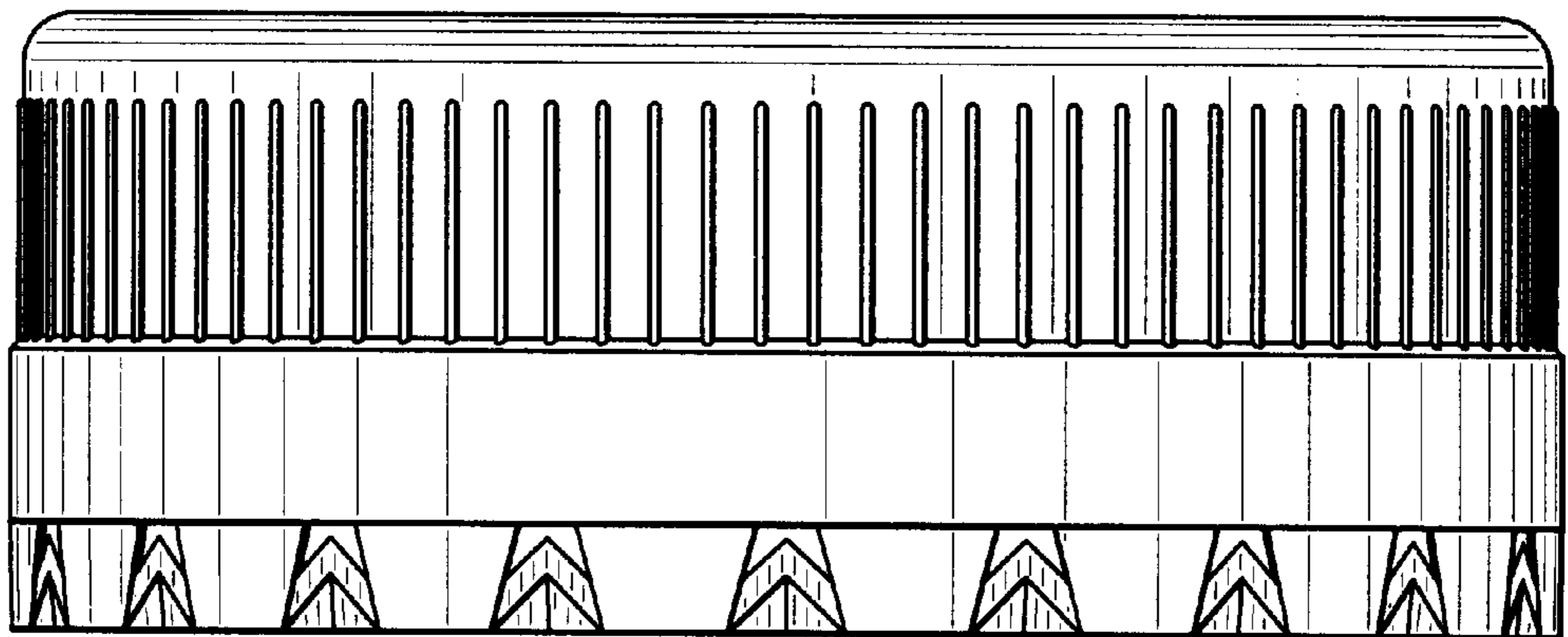


FIG. 3

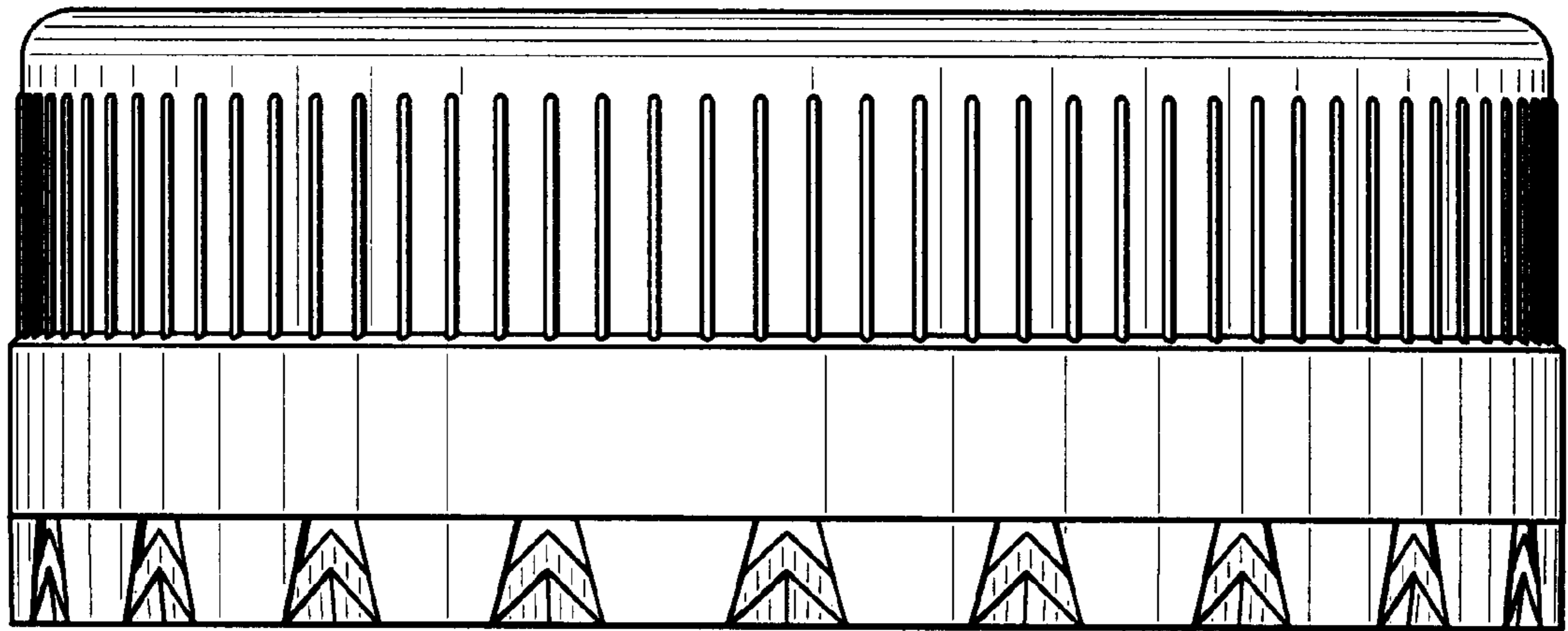


FIG. 4

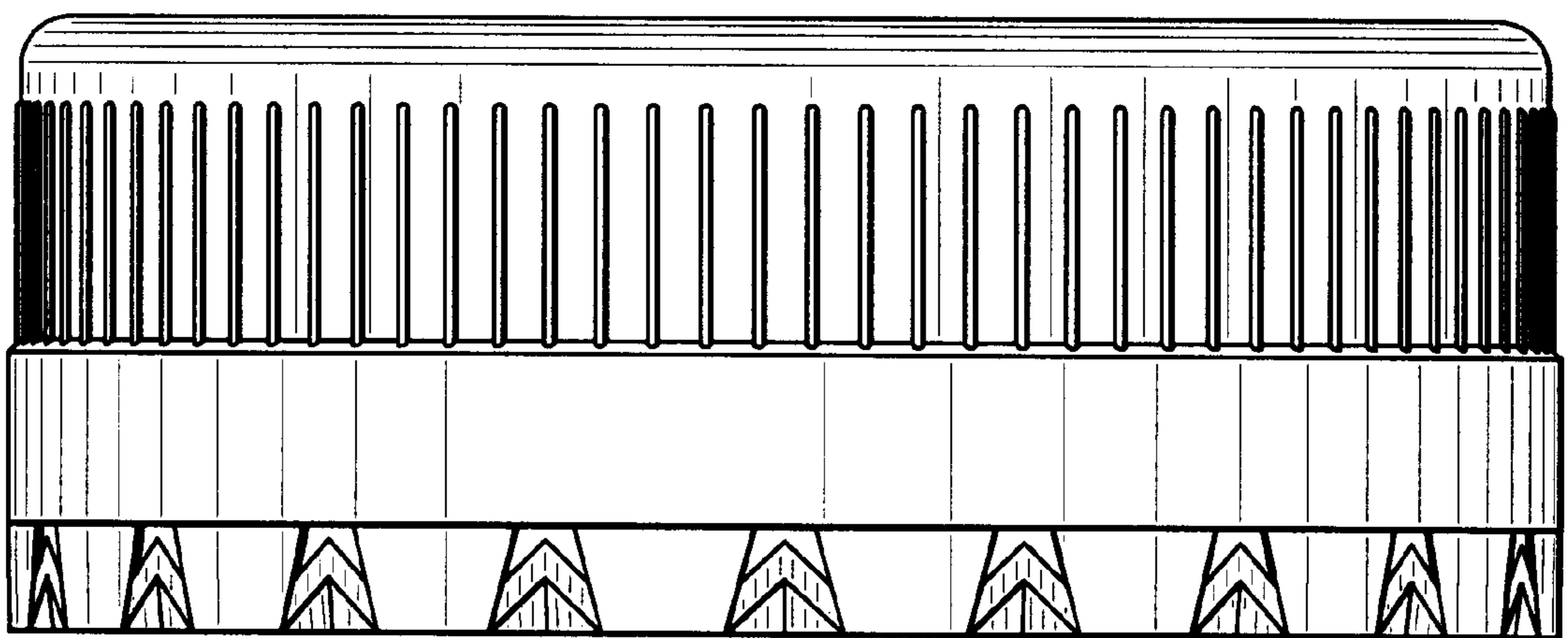


FIG. 5

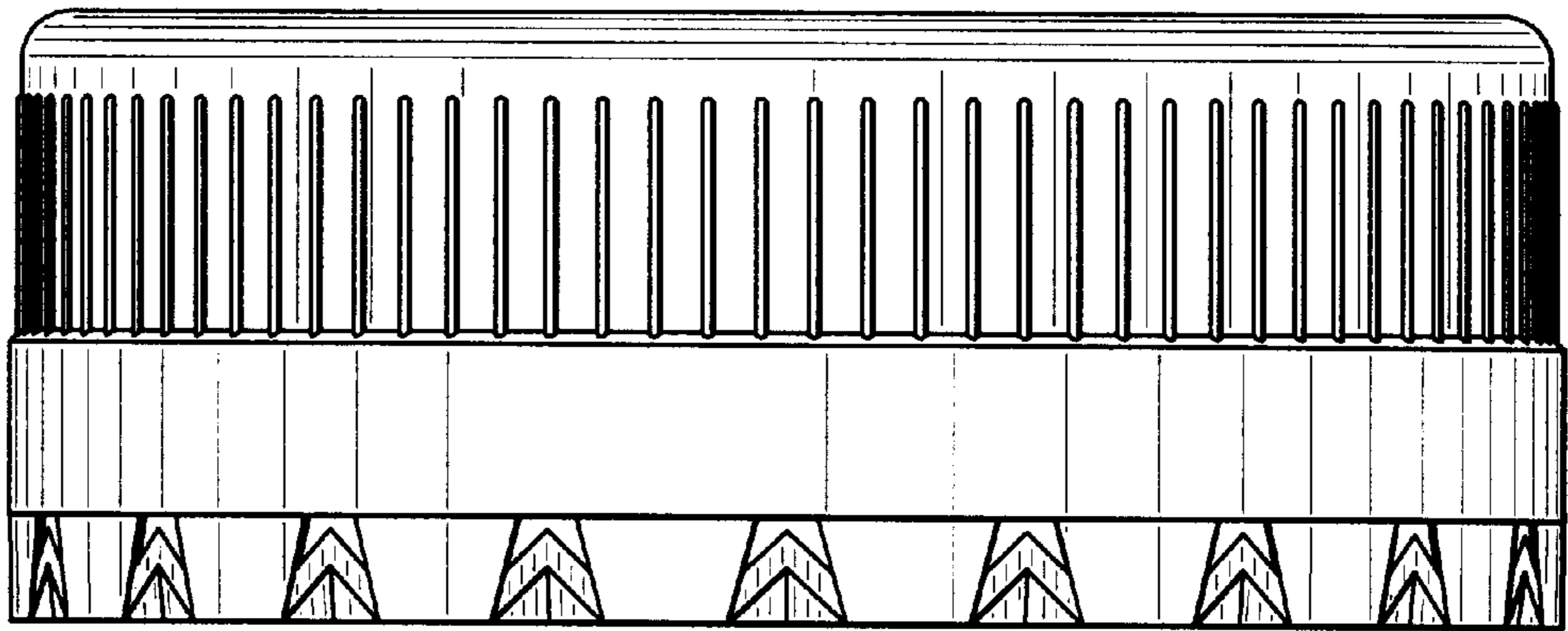


FIG. 6

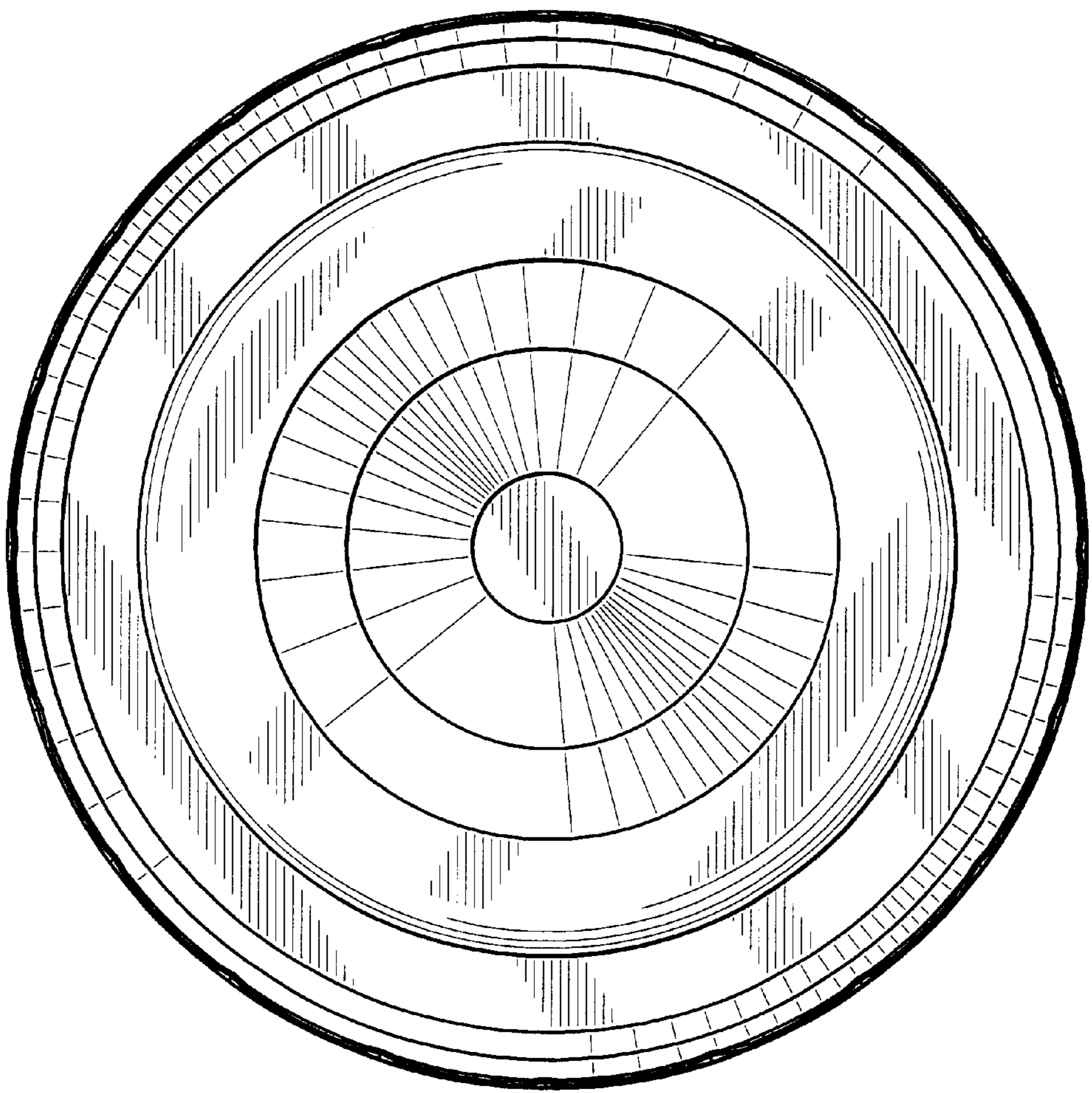


FIG. 7