



US00D471812S

(12) **United States Design Patent**
Tada

(10) **Patent No.:** **US D471,812 S**

(45) **Date of Patent:** **** Mar. 18, 2003**

(54) **PUMP DISPENSER**

(75) Inventor: **Tetsuya Tada**, Tokyo (JP)

(73) Assignee: **Canyon Co., Ltd.**, Tokyo (JP)

(**) Term: **14 Years**

(21) Appl. No.: **29/157,160**

(22) Filed: **Mar. 13, 2002**

(30) **Foreign Application Priority Data**

Sep. 17, 2001 (JP) 2001-027395

(51) **LOC (7) Cl.** **09-07**

(52) **U.S. Cl.** **D9/448**

(58) **Field of Search** D9/300, 301, 435,
D9/447, 448, 453; 222/565, 567, 571-573,
383-385, 465.1; 239/375-379, 289, 333,
443, 446

(56) **References Cited**

U.S. PATENT DOCUMENTS

D213,179 S	*	1/1969	Clevenger	D9/448
D320,430 S	*	10/1991	Renfrew	D9/300 X
D336,846 S	*	6/1993	Proctor	D9/300
D447,415 S	*	9/2001	Spengler	D9/448

* cited by examiner

Primary Examiner—Dominic Simone

(74) *Attorney, Agent, or Firm*—Flynn, Thiel, Boutell & Tanis, P.C.

(57) **CLAIM**

The ornamental design for a pump dispenser, as shown and described.

DESCRIPTION

FIG. 1 is a front view of a pump dispenser showing my new design;

FIG. 2 is a rear view thereof;

FIG. 3 is a plan view thereof;

FIG. 4 is a bottom view thereof;

FIG. 5 is a left-side view thereof;

FIG. 6 is a right-side view thereof;

FIG. 7 is a reference plan view thereof;

FIG. 8 is a sectional view thereof along the A—A line with the internal mechanism omitted;

FIG. 9 is a sectional view thereof along the B—C—D—E lines in combination therewith;

FIG. 10 is a left side view thereof with a lid opned; and,

FIG. 11 is a front view of the same with the lid opened to release a lock on a small scale.

1 Claim, 11 Drawing Sheets

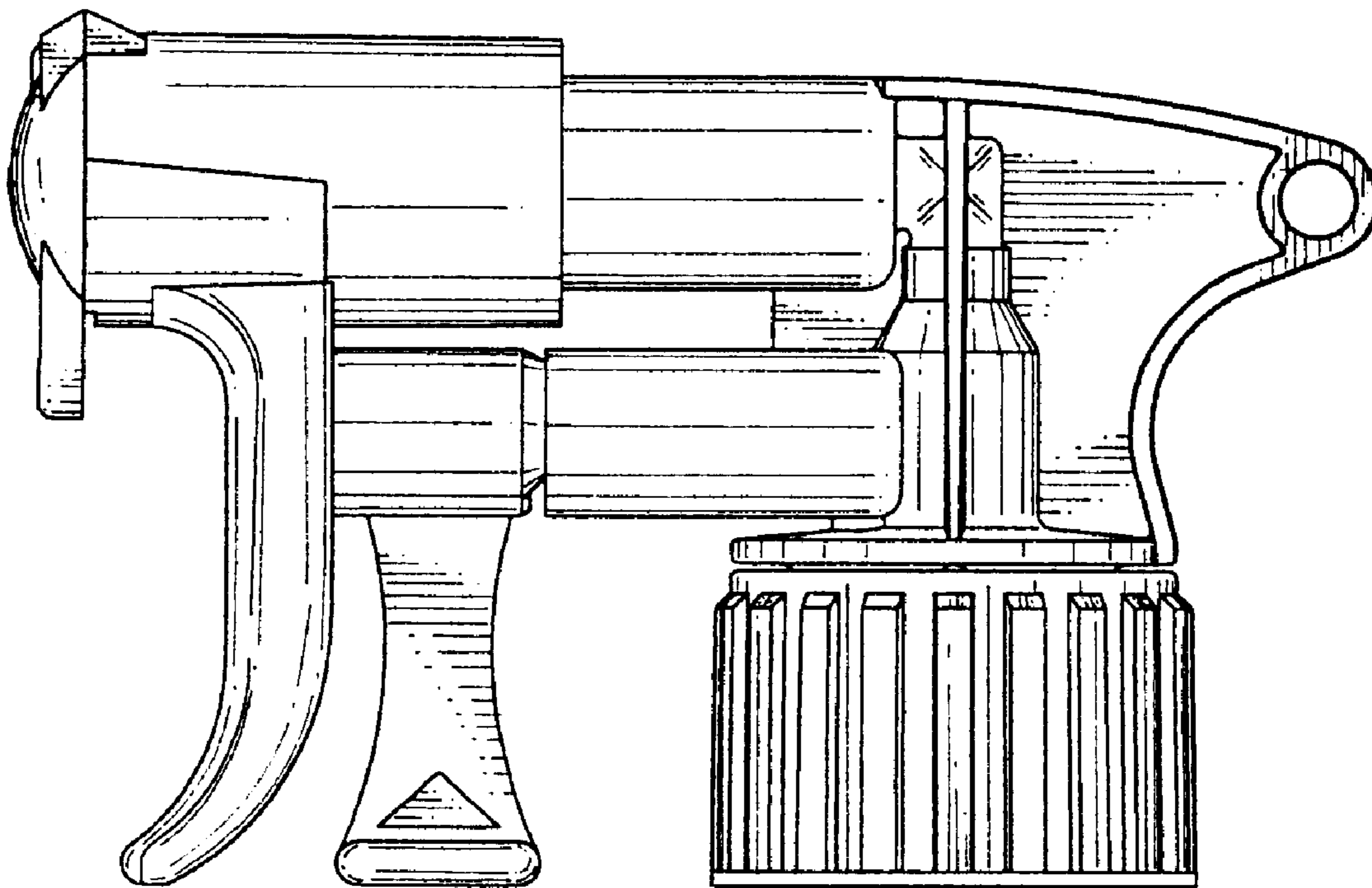


FIG. 1

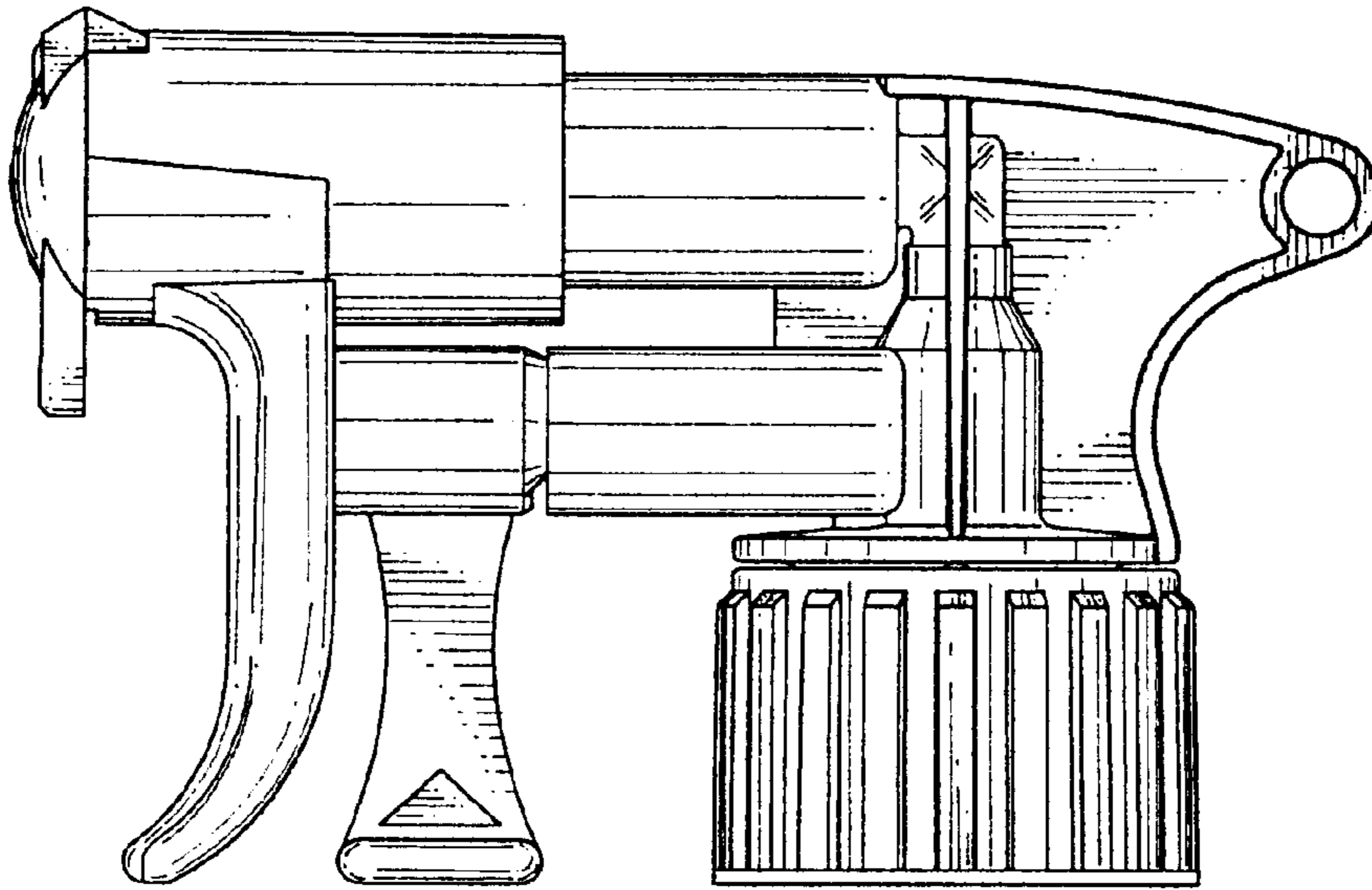


FIG. 2

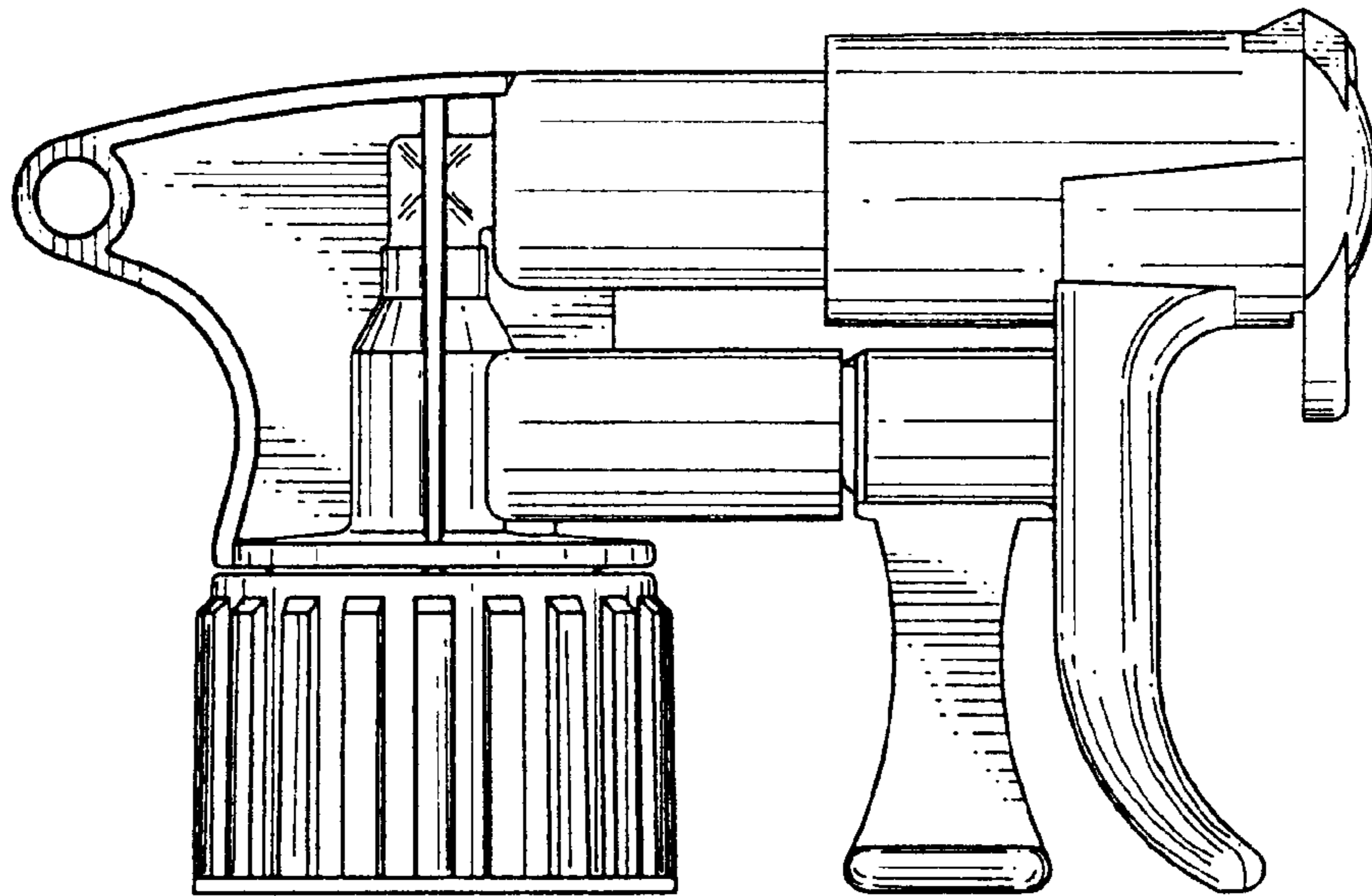


FIG. 3

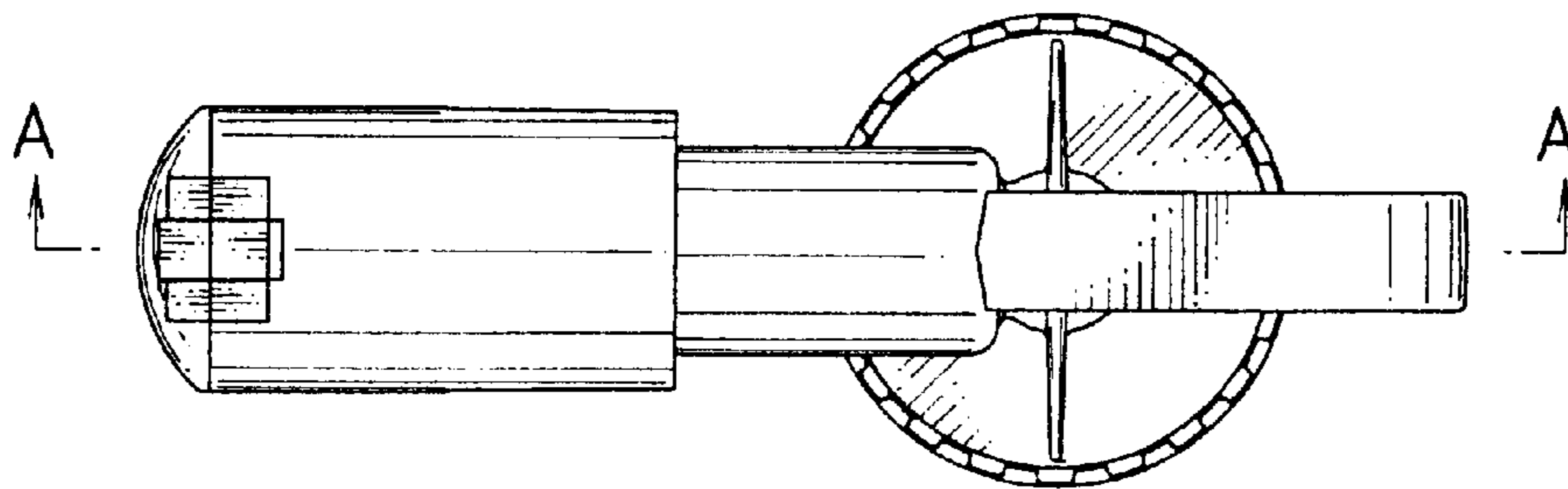


FIG. 4

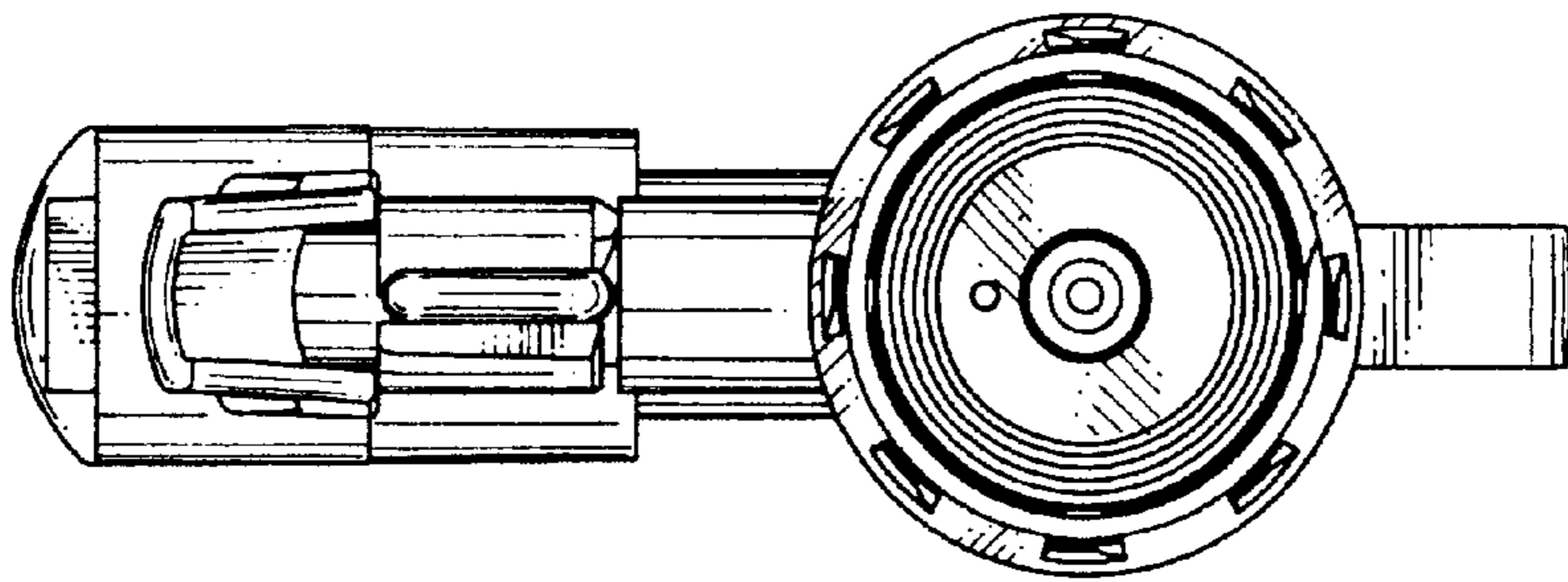


FIG. 5

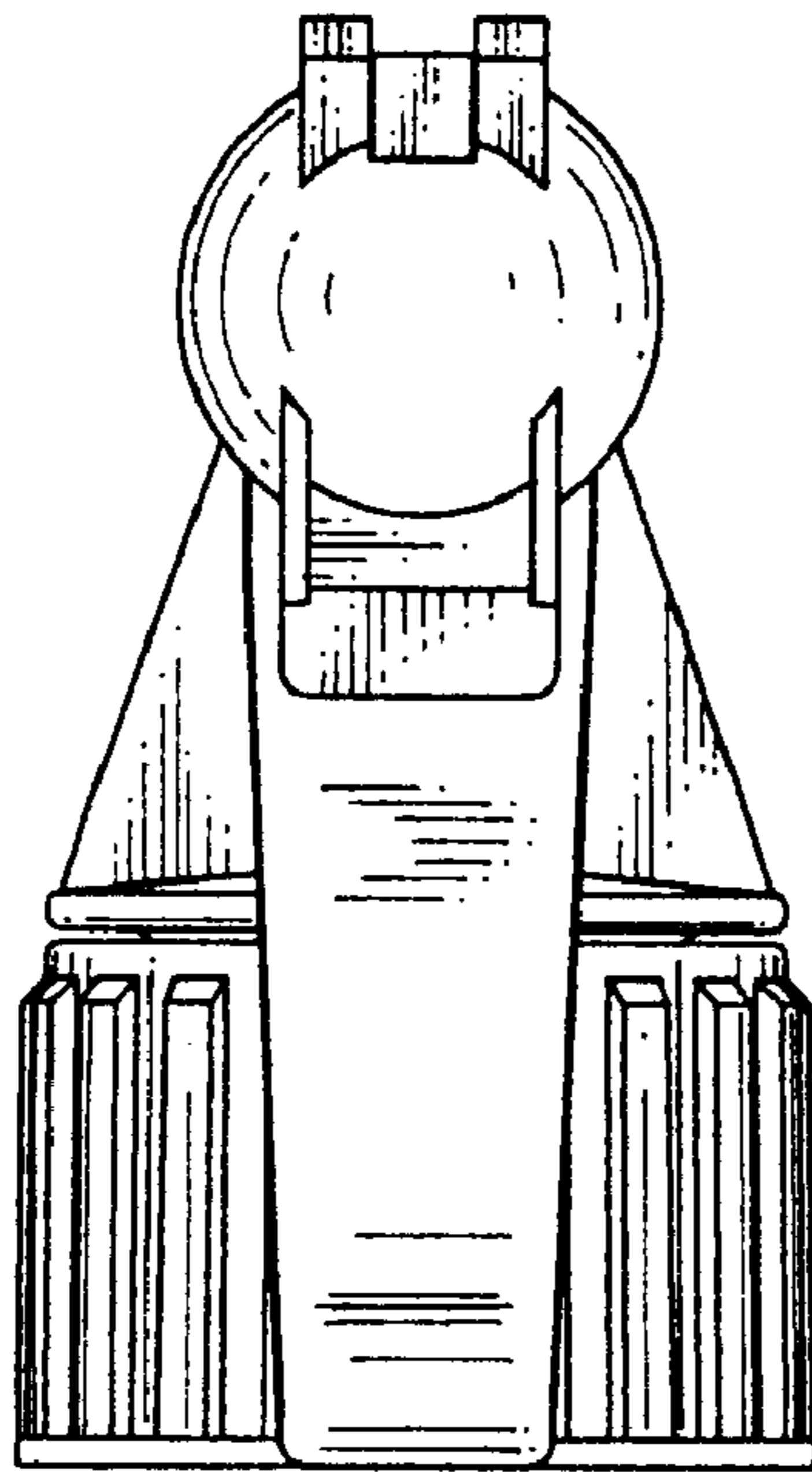


FIG. 6

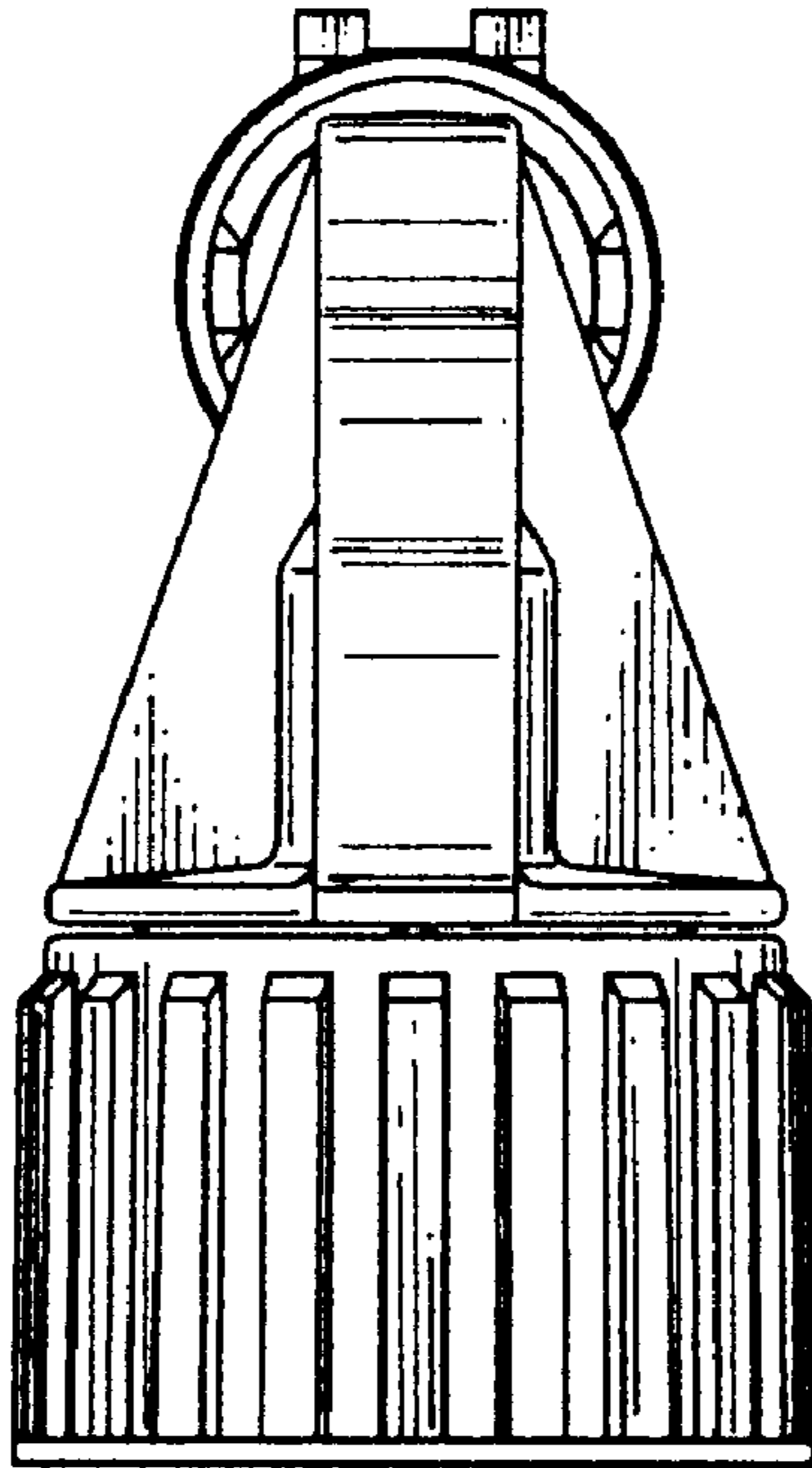


FIG. 7

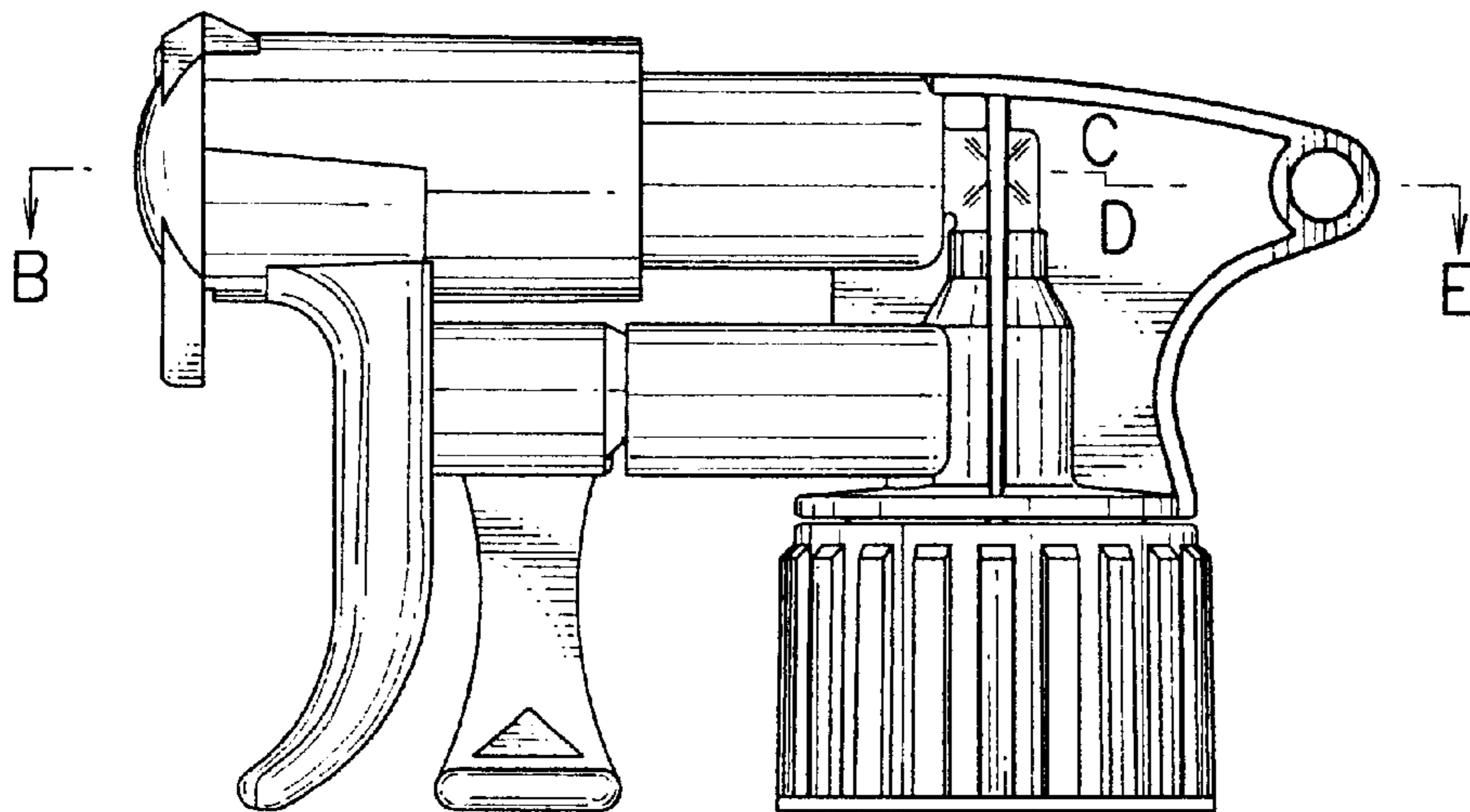


FIG. 8

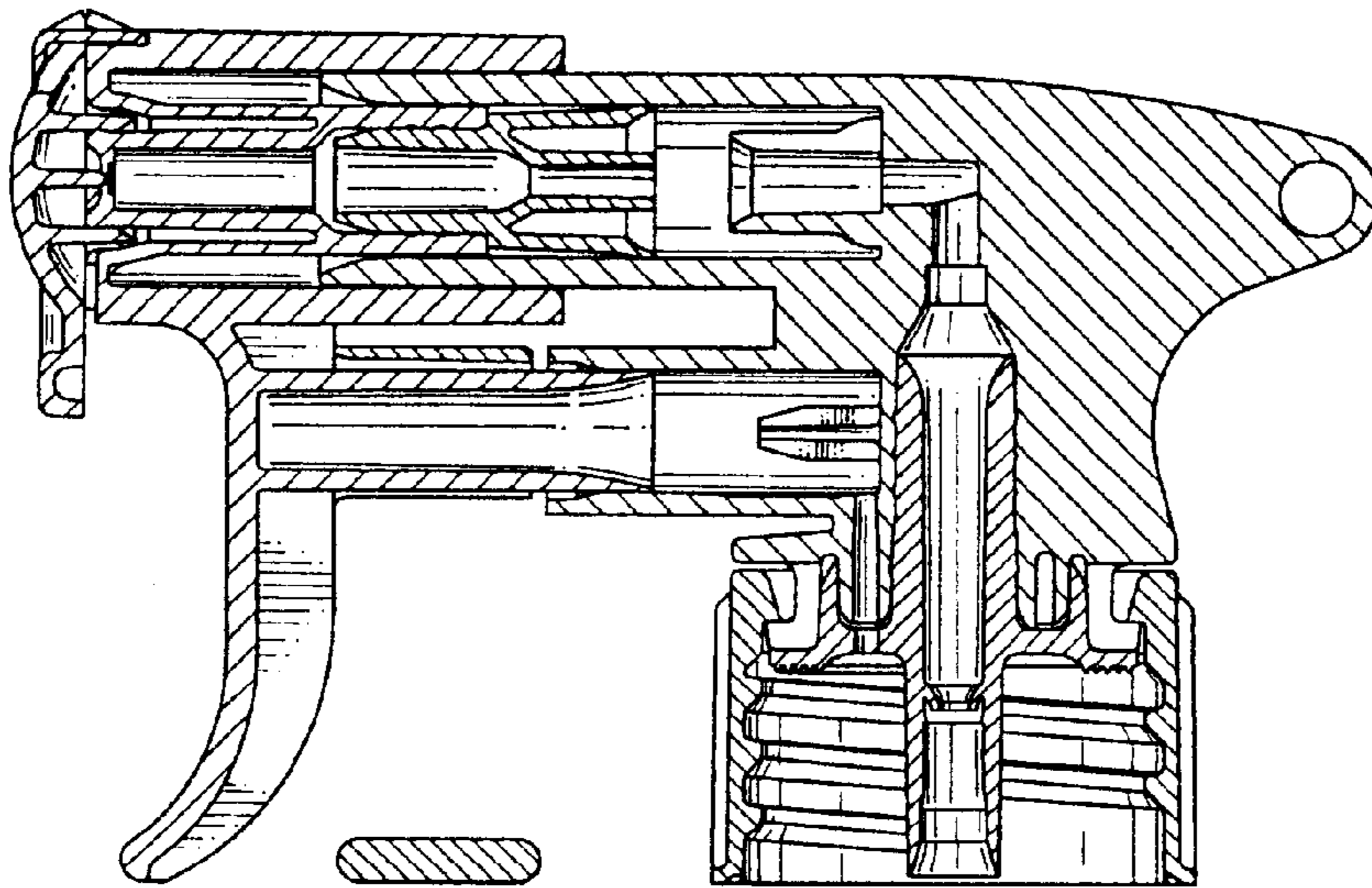


FIG. 9

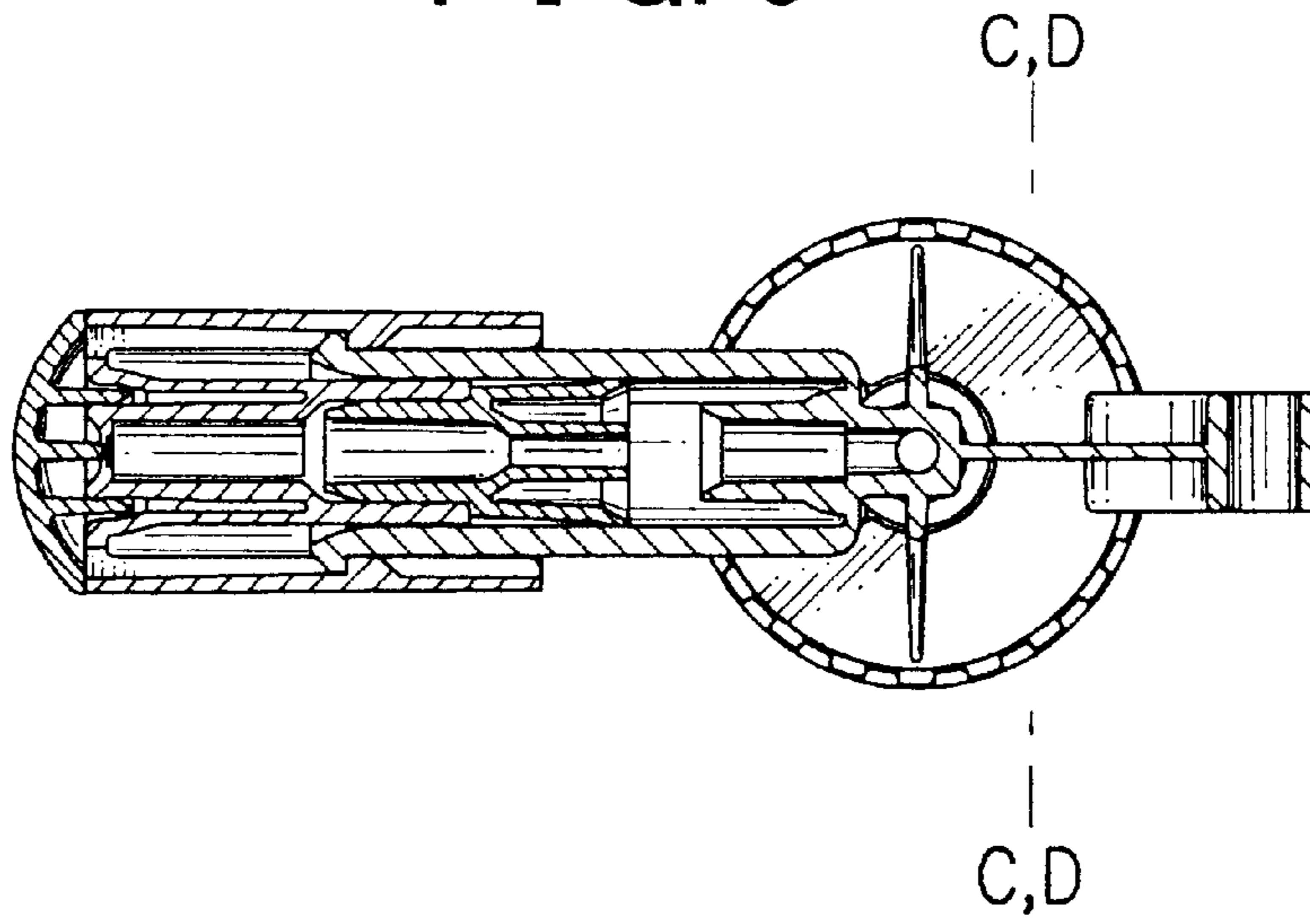


FIG. 10

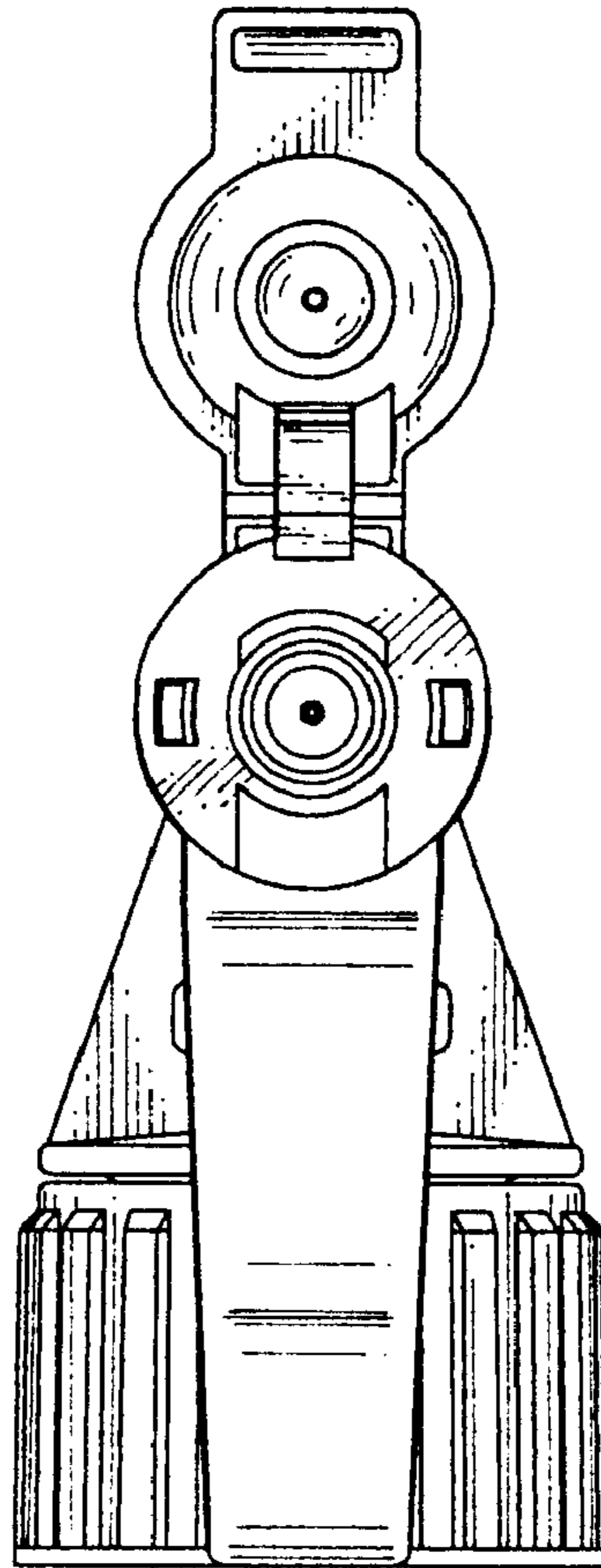


FIG. 11

