



US00D471810S

(12) **United States Design Patent**
Hayes

(10) **Patent No.:** **US D471,810 S**

(45) **Date of Patent:** **** Mar. 18, 2003**

(54) **CONTAINER LID**

(76) Inventor: **Paul Hayes**, 4100 Leadville Pl.,
Addisson, TX (US) 75001-1622

(**) Term: **14 Years**

(21) Appl. No.: **29/152,790**

(22) Filed: **Dec. 26, 2001**

(51) **LOC (7) Cl.** **09-07**

(52) **U.S. Cl.** **D9/435; D9/443**

(58) **Field of Search** D9/434, 435, 443,
D9/451; 220/836, 837, 843, 844, 847, 848;
24/30.5 R-30.5 L

(56) **References Cited**

U.S. PATENT DOCUMENTS

19,830	A	*	4/1858	Cloud et al.	24/30.5	R
46,587	A	*	2/1865	Reed	24/305	R
56,894	A	*	8/1866	Brown	24/305	R
62,667	A	*	3/1867	Morehouse	24/30.5	R
75,008	A	*	3/1868	Gano	24/30.5	R

* cited by examiner

Primary Examiner—Dominic Simone

(74) *Attorney, Agent, or Firm*—Jenkins & Gilchrist

(57) **CLAIM**

The ornamental design for the container lid, as shown and described.

DESCRIPTION

FIG. 1 is a front, left side, top perspective view of a container lid showing my new design, the container and pin head shown in broken lines for illustrative purposes only and form no part of the claimed design;

FIG. 2 is an exploded view thereof;

FIG. 3 is a front, left side, top perspective view of FIG. 1, the hinged element in a partially open position, the pin head shown in broken lines for illustrative purposes only and form no part of the claimed design

FIG. 4 is a rear elevational view thereof;

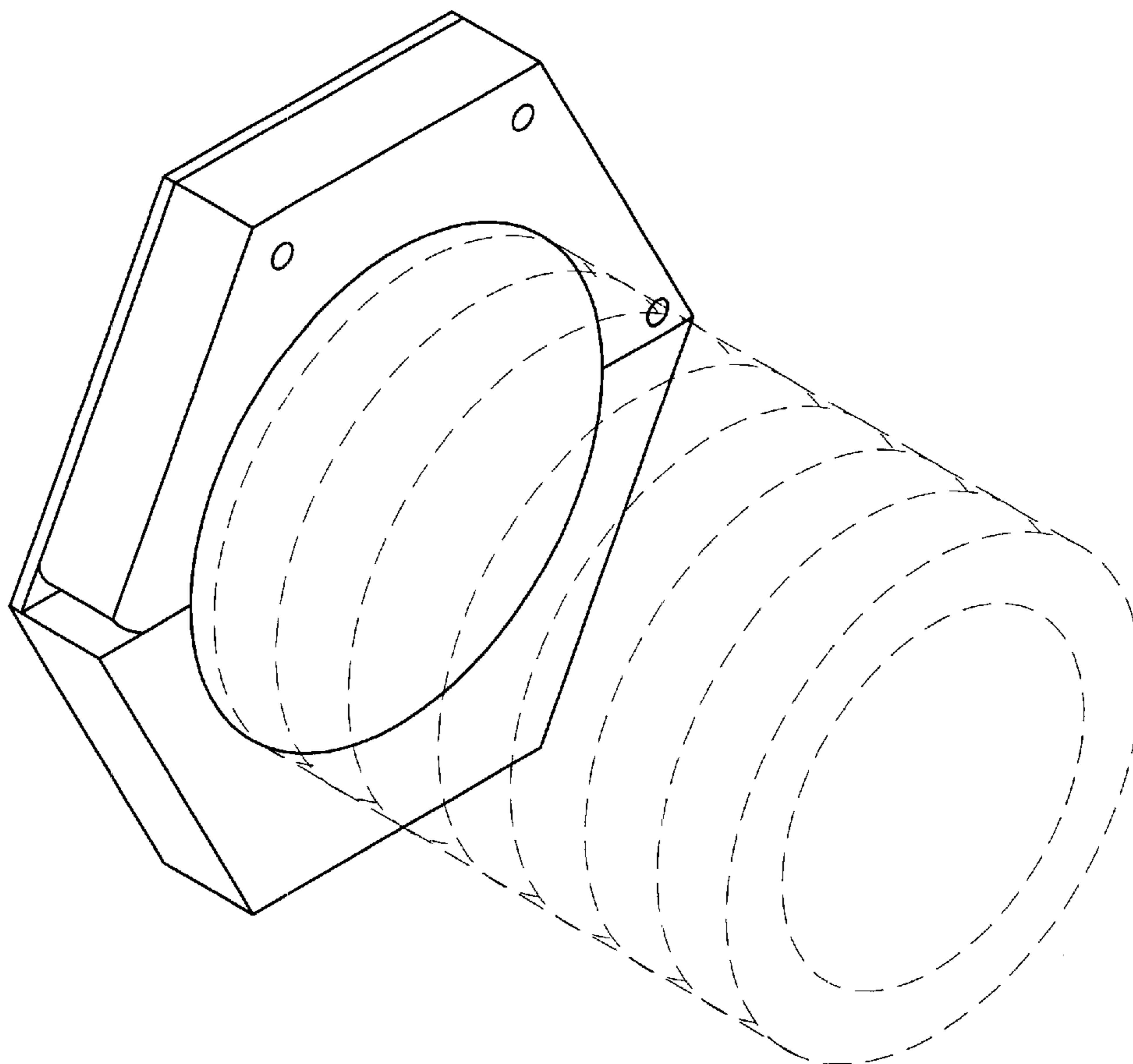
FIG. 5 is a left side elevational view of the base element shown separately for clarity of disclosure;

FIG. 6 is a top plan view of FIG. 6;

FIG. 7 is a front elevational view of the hinged element, shown separately for clarity of disclosure; and,

FIG. 8 is a bottom plan view of FIG. 7.

1 Claim, 3 Drawing Sheets



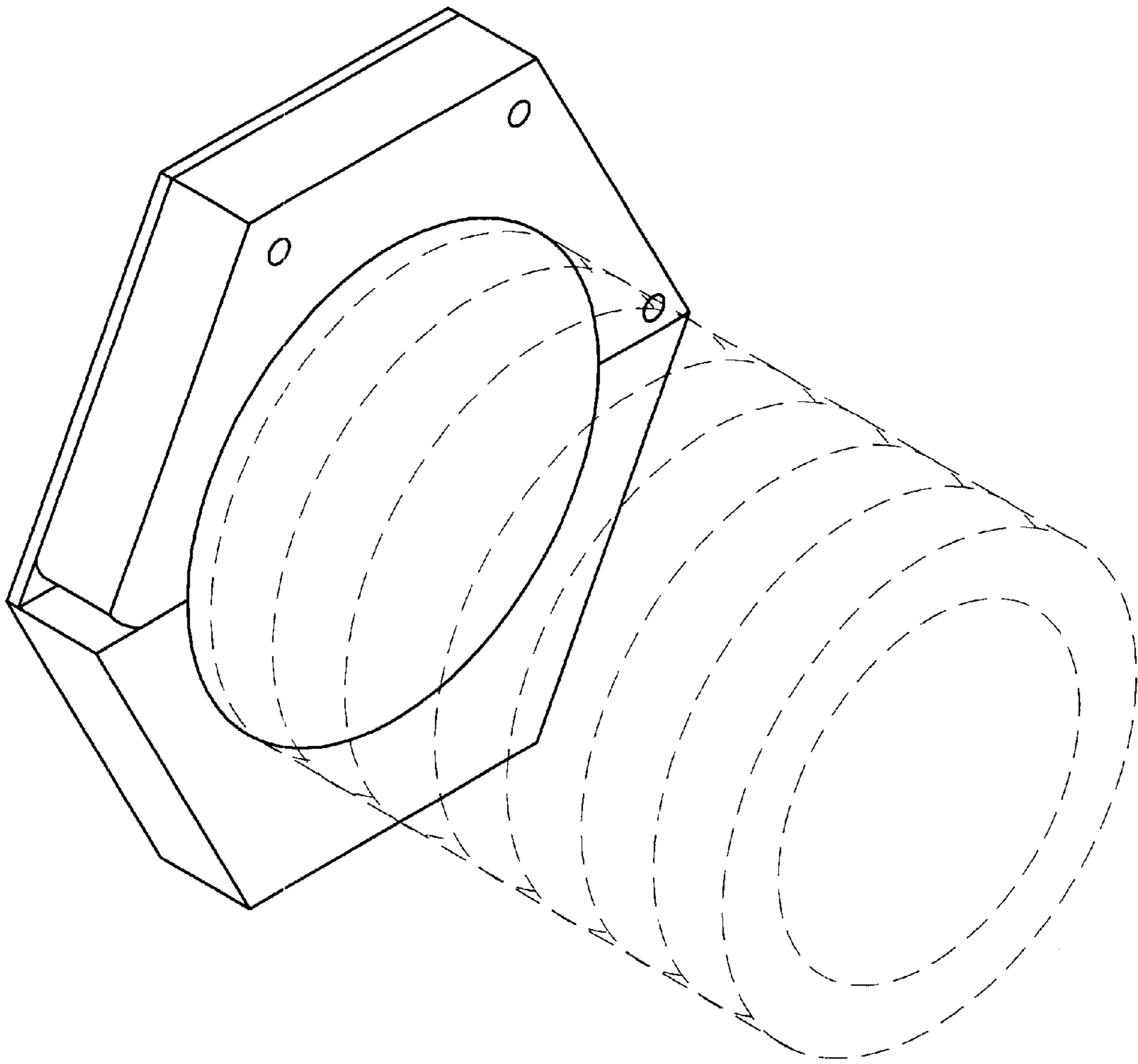


FIG. 1

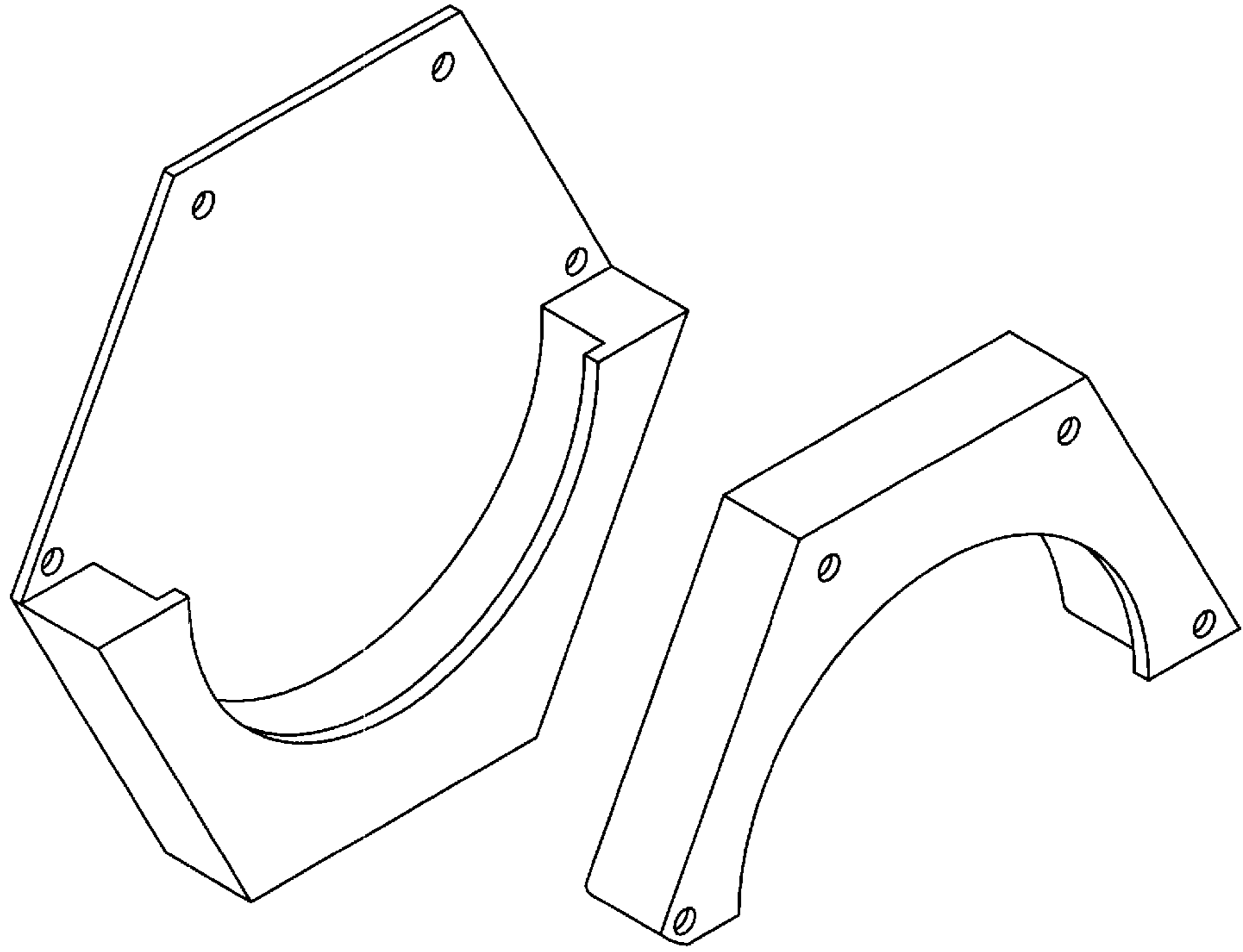


FIG. 2

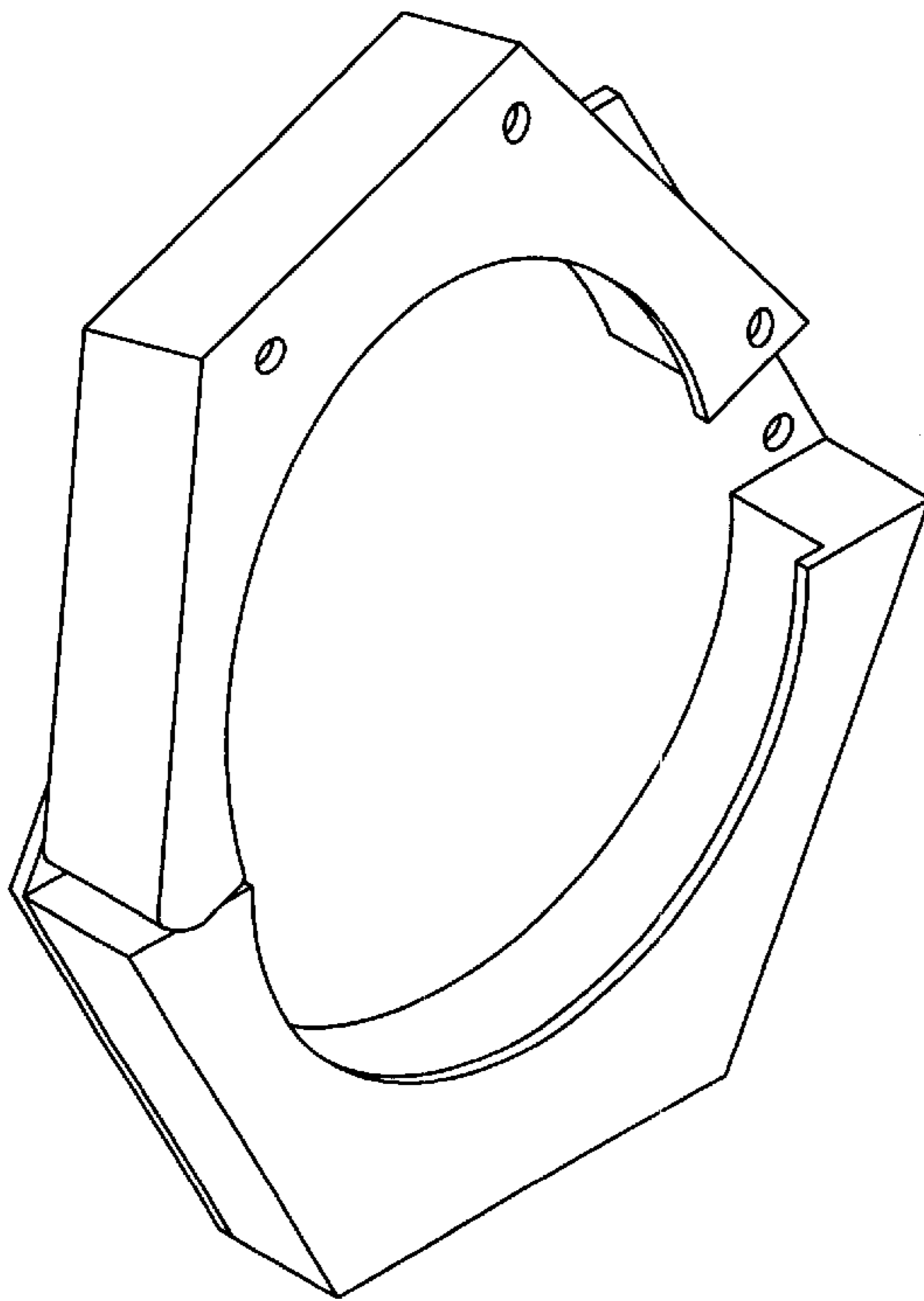


FIG. 3

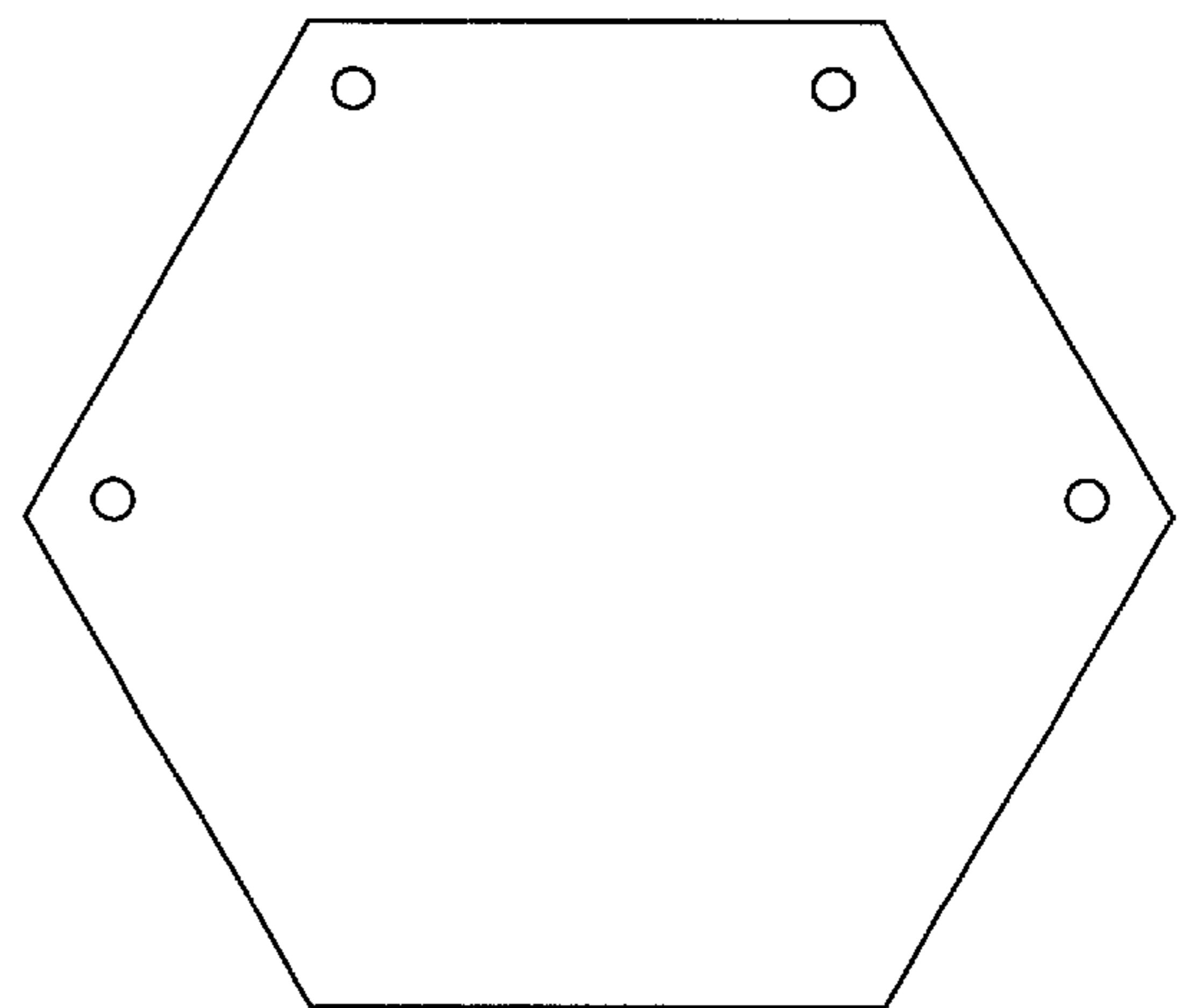


FIG. 4

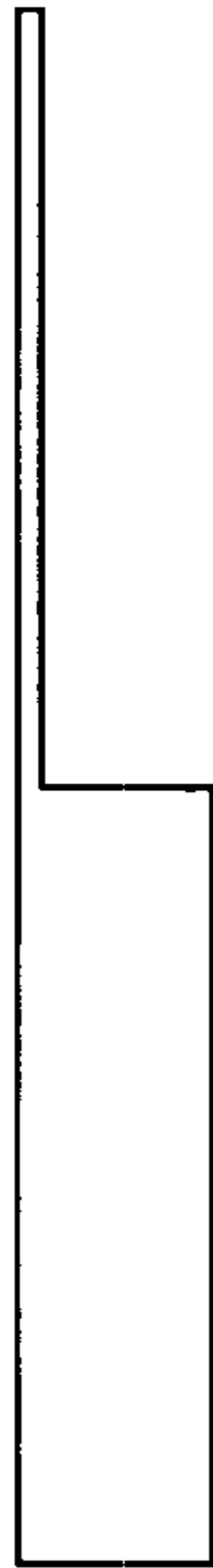


FIG. 5

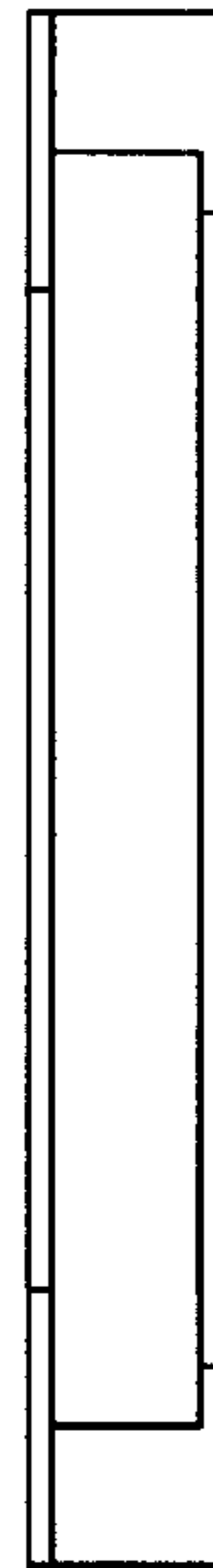


FIG. 6

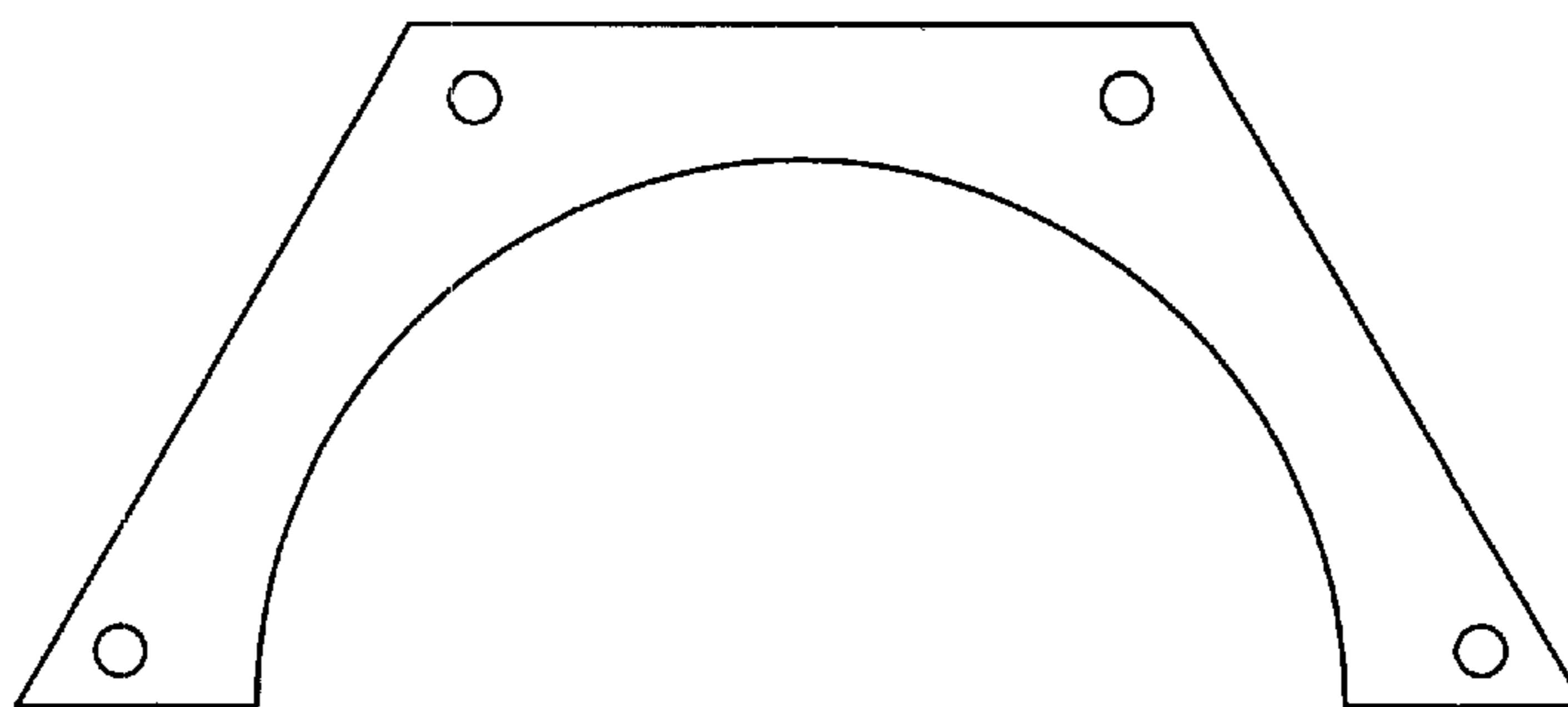


FIG. 7

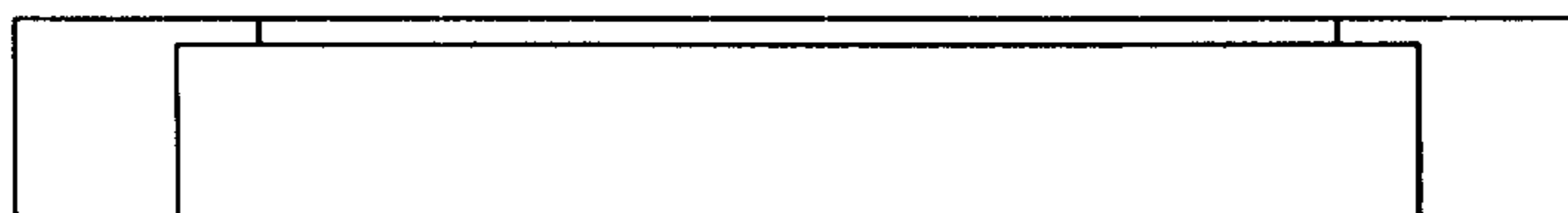


FIG. 8