



US00D471809S

(12) **United States Design Patent**
Poisson et al.

(10) **Patent No.:** **US D471,809 S**

(45) **Date of Patent:** **** Mar. 18, 2003**

(54) **CAP FOR COSMETIC PRODUCT**

(76) Inventors: **Norman D. Poisson**, 64 Mountainside Rte. 302 (P.O. Box 1345), Glen, NH (US) 03838; **Anthony Panno**, 5 Holden St., Brookline, MA (US) 02446

(**) Term: **14 Years**

(21) Appl. No.: **29/148,491**

(22) Filed: **Sep. 20, 2001**

(51) **LOC (7) Cl.** **09-07**

(52) **U.S. Cl.** **D9/435**

(58) **Field of Search** D9/434, 435, 447-450; 215/200, 316, 317; 220/200, 253

(56) **References Cited**

U.S. PATENT DOCUMENTS

D312,574 S * 12/1990 Geiger D9/435

D324,338 S * 3/1992 Geiger D9/435

* cited by examiner

Primary Examiner—Dominic Simone

(74) *Attorney, Agent, or Firm*—Stephan P. Williams

(57) **CLAIM**

The ornamental design for a cap for cosmetic product, as shown and described.

DESCRIPTION

FIG. 1 is a perspective view as seen from the top, front and right side of a cap for cosmetic product showing our new design;

FIG. 2 is a right side elevational view thereof, the left side elevation being a mirror image thereof;

FIG. 3 is a top plan view thereof;

FIG. 4 is a front elevational view thereof, the rear elevation being a mirror image thereof; and,

FIG. 5 is a bottom plan view thereof.

1 Claim, 2 Drawing Sheets

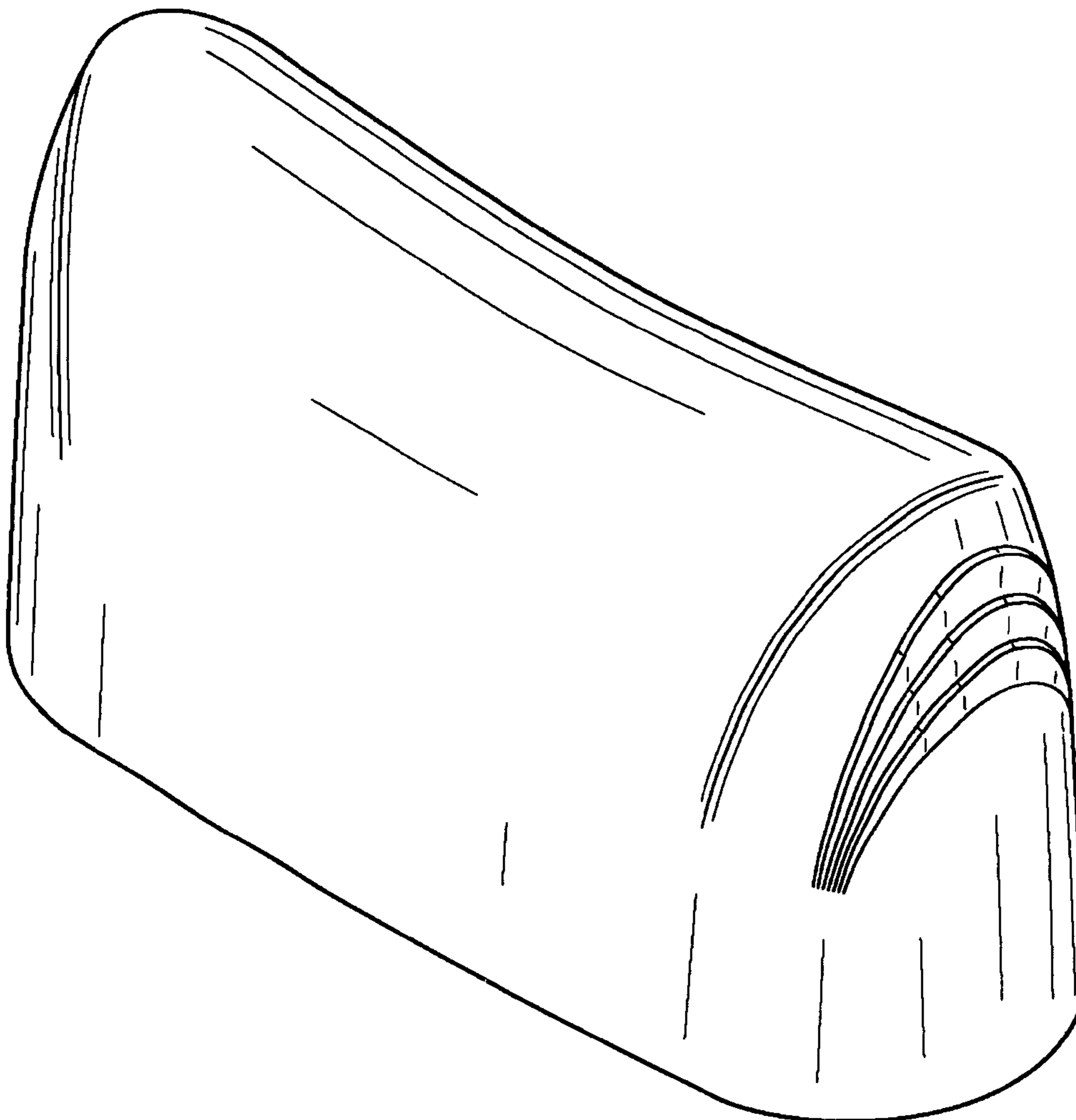


FIG. 1

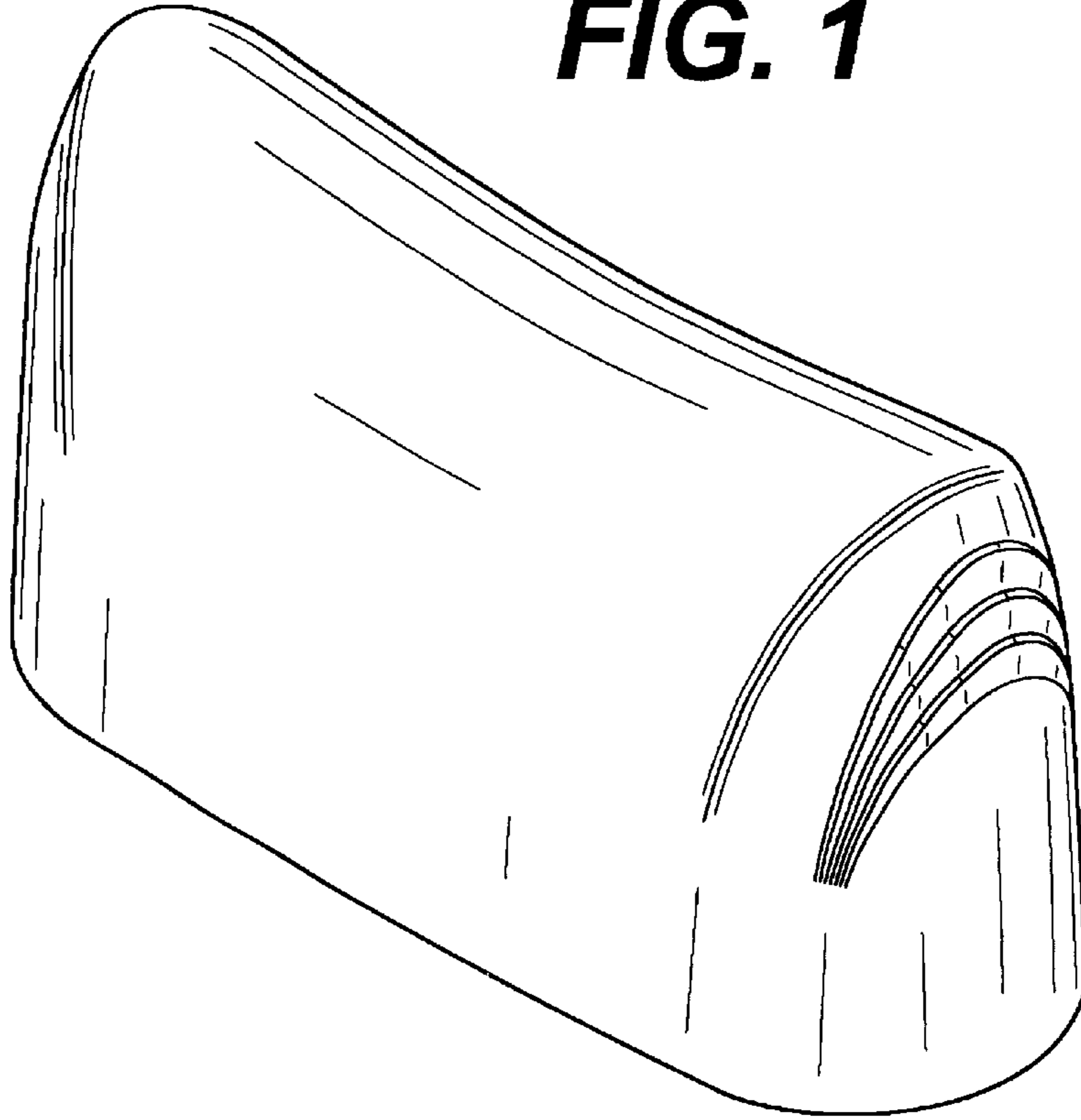


FIG. 2

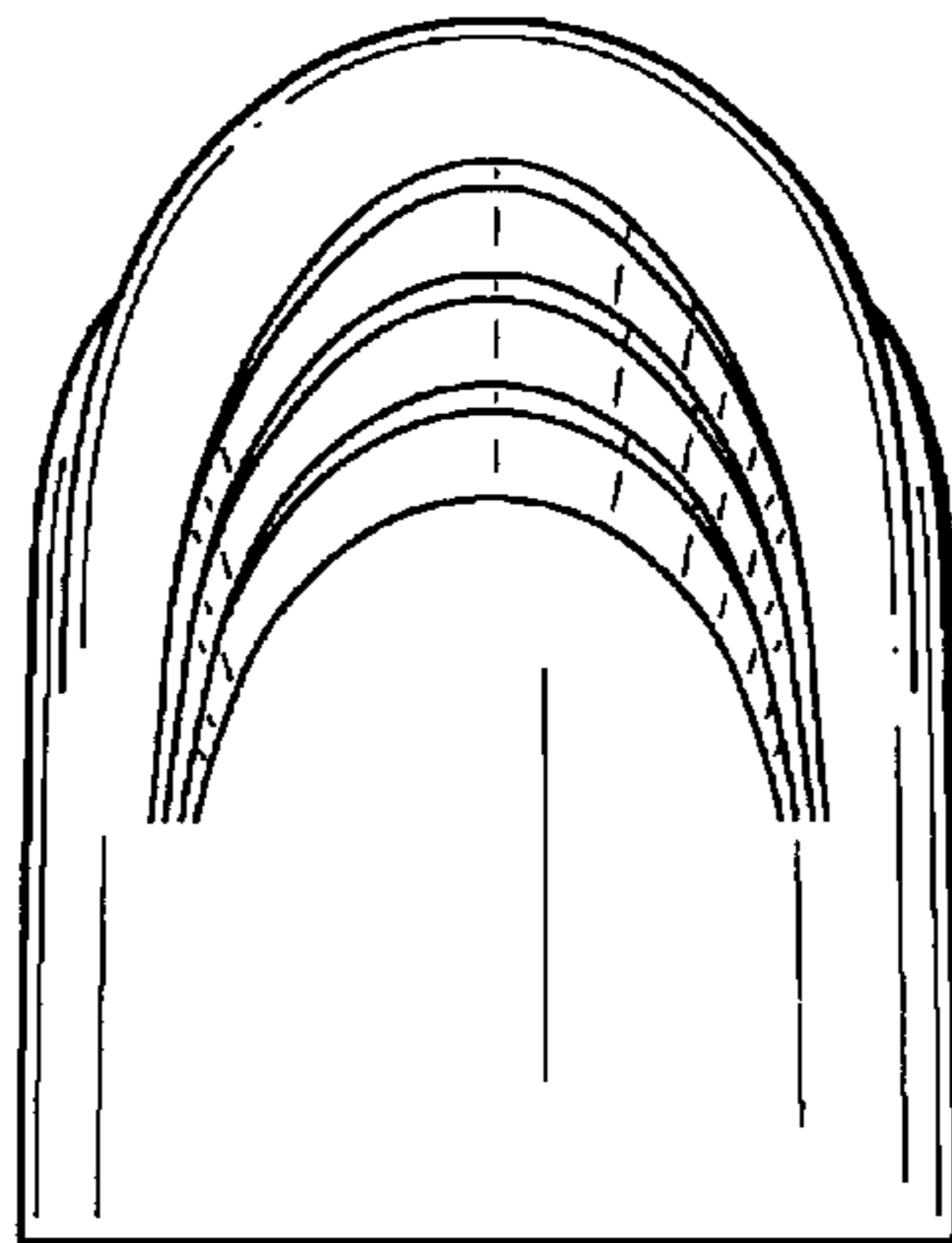


FIG. 3

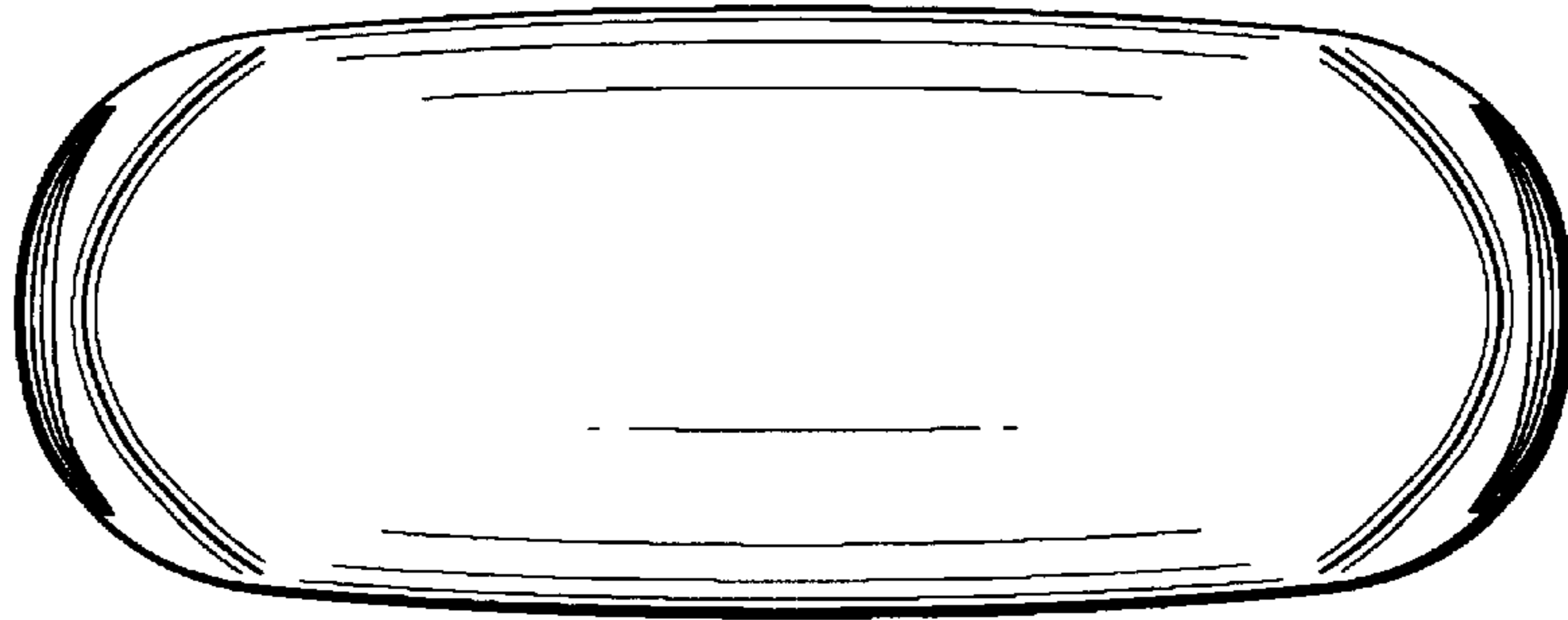


FIG. 4

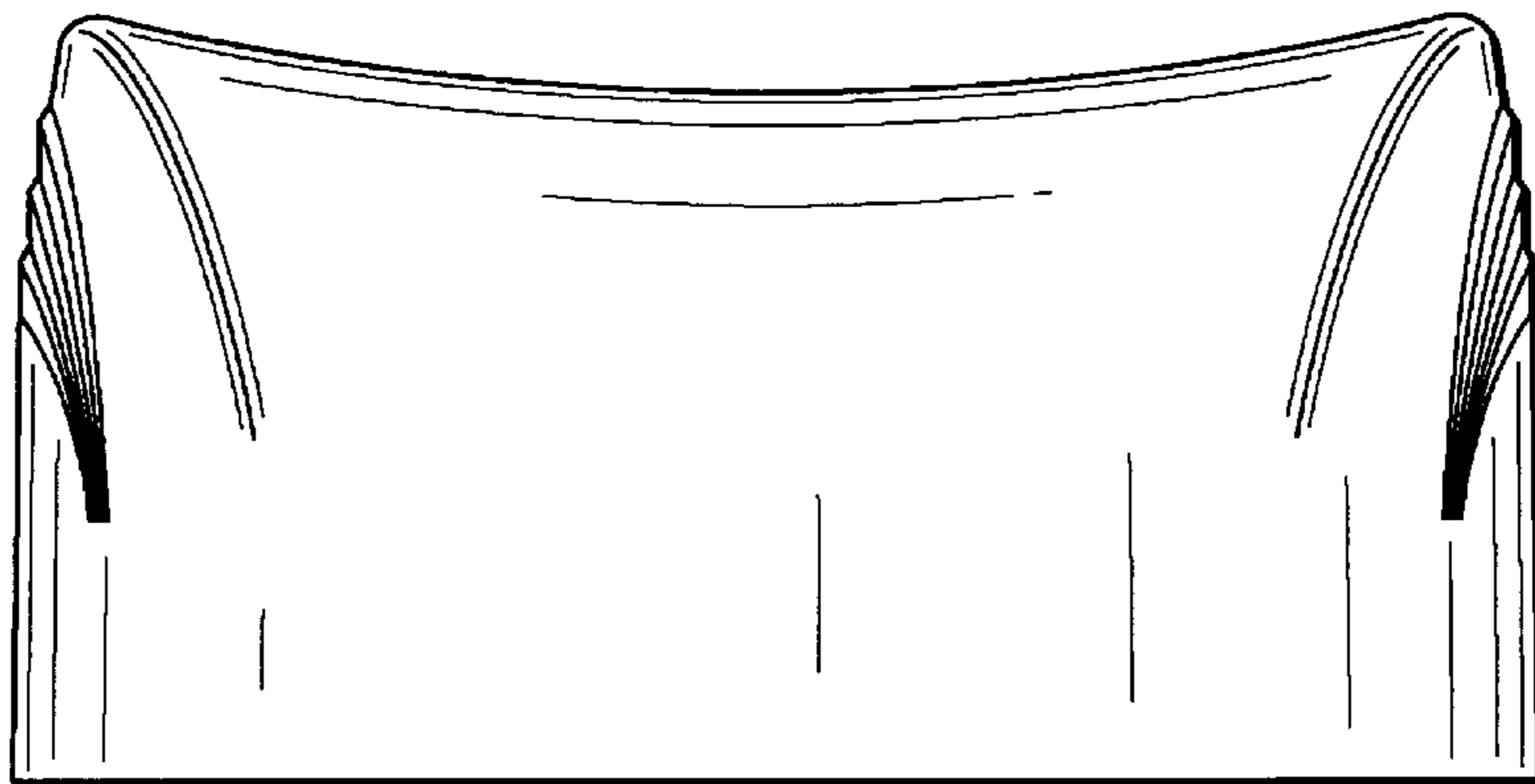


FIG. 5

