



US00D471808S

(12) **United States Design Patent**
de Castro Couto

(10) **Patent No.:** **US D471,808 S**

(45) **Date of Patent:** **** Mar. 18, 2003**

(54) **SPOUT FOR BEVERAGE CAN**

D368,032 S 3/1996 Couto D9/435

(76) Inventor: **Gilberto de Castro Couto**, Rua João Pontoni, nº 120 Apto 1902 C.Rei, Curitiba, PR (BR), CEP80050-490

FOREIGN PATENT DOCUMENTS

BR MU 7202223-0 5/1995

* cited by examiner

Primary Examiner—Dominic Simone

(74) *Attorney, Agent, or Firm*—Kinney & Lange, P.A.

(**) Term: **14 Years**

(21) Appl. No.: **29/148,067**

(57) **CLAIM**

(22) Filed: **Sep. 14, 2001**

The ornamental design for a spout for beverage can, as shown and described.

(30) **Foreign Application Priority Data**

DESCRIPTION

Mar. 15, 2001 (BR) 6100744
Mar. 15, 2001 (BR) 6100745

(51) **LOC (7) Cl.** **09-07**

(52) **U.S. Cl.** **D9/435**

(58) **Field of Search** D9/435, 447; 222/566, 222/567, 570, 571

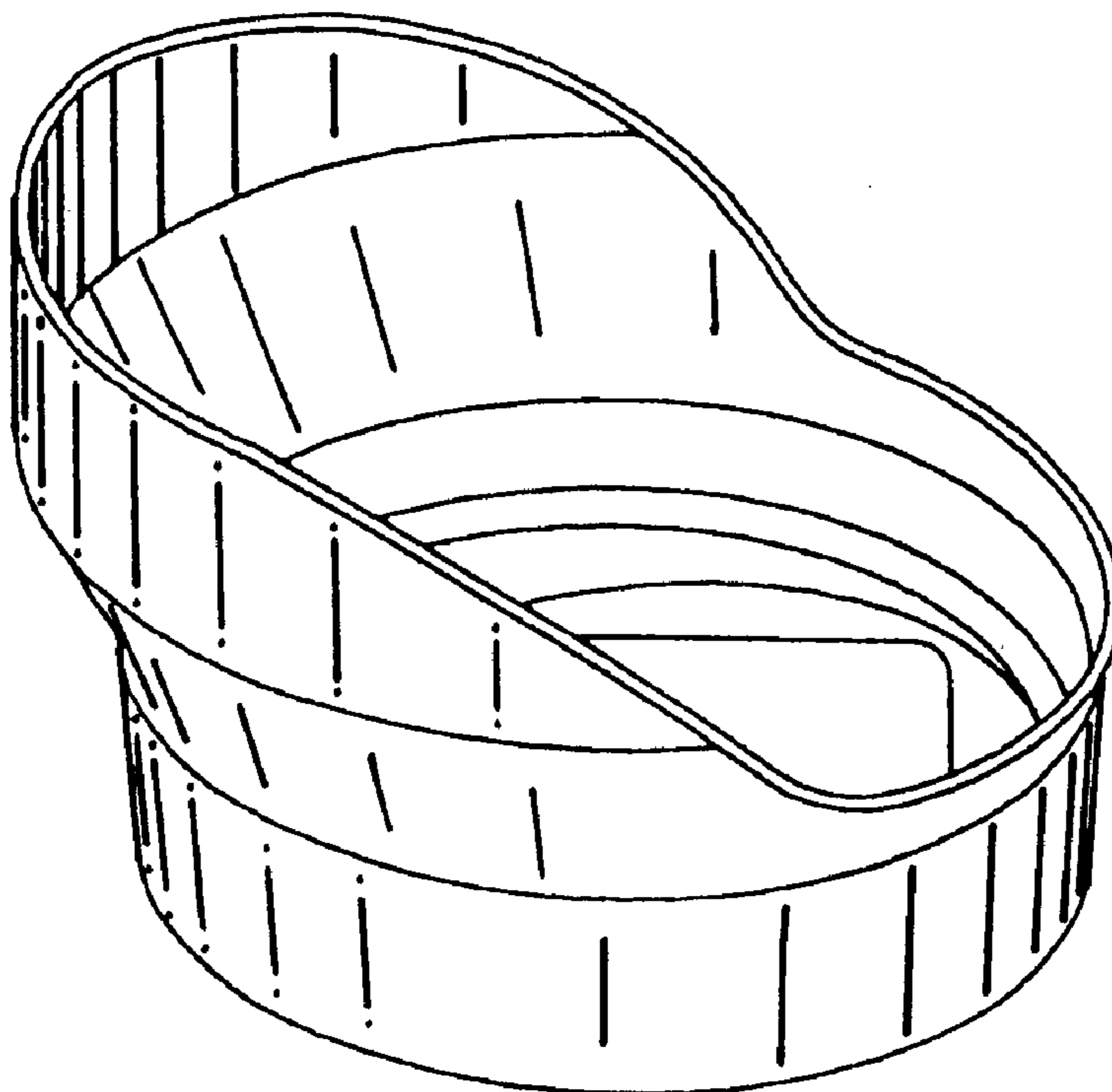
FIG. 1 is a top perspective view of the present invention; FIG. 2 is a top view of the embodiment of FIG. 1; FIG. 3 is a back view of the embodiment of FIG. 1; FIG. 4 is a right side elevational view of the embodiment of FIG. 1; FIG. 5 is a left side elevational view of the embodiment of FIG. 1; FIG. 6 is a front elevational view of the embodiment of FIG. 1; FIG. 7 is a bottom view of the embodiment of FIG. 1; and, FIG. 8 is a bottom perspective view of the embodiment of FIG. 1.

(56) **References Cited**

U.S. PATENT DOCUMENTS

343,908 A * 6/1886 Lagerquist 222/566
1,648,512 A * 11/1927 Stock 222/566
D133,978 S * 10/1942 Johnson D9/447
D292,489 S * 10/1987 Kowollik et al. D9/447
D292,490 S * 10/1987 Kowollik et al. D9/447
D319,981 S * 9/1991 Sledge D9/447

1 Claim, 3 Drawing Sheets



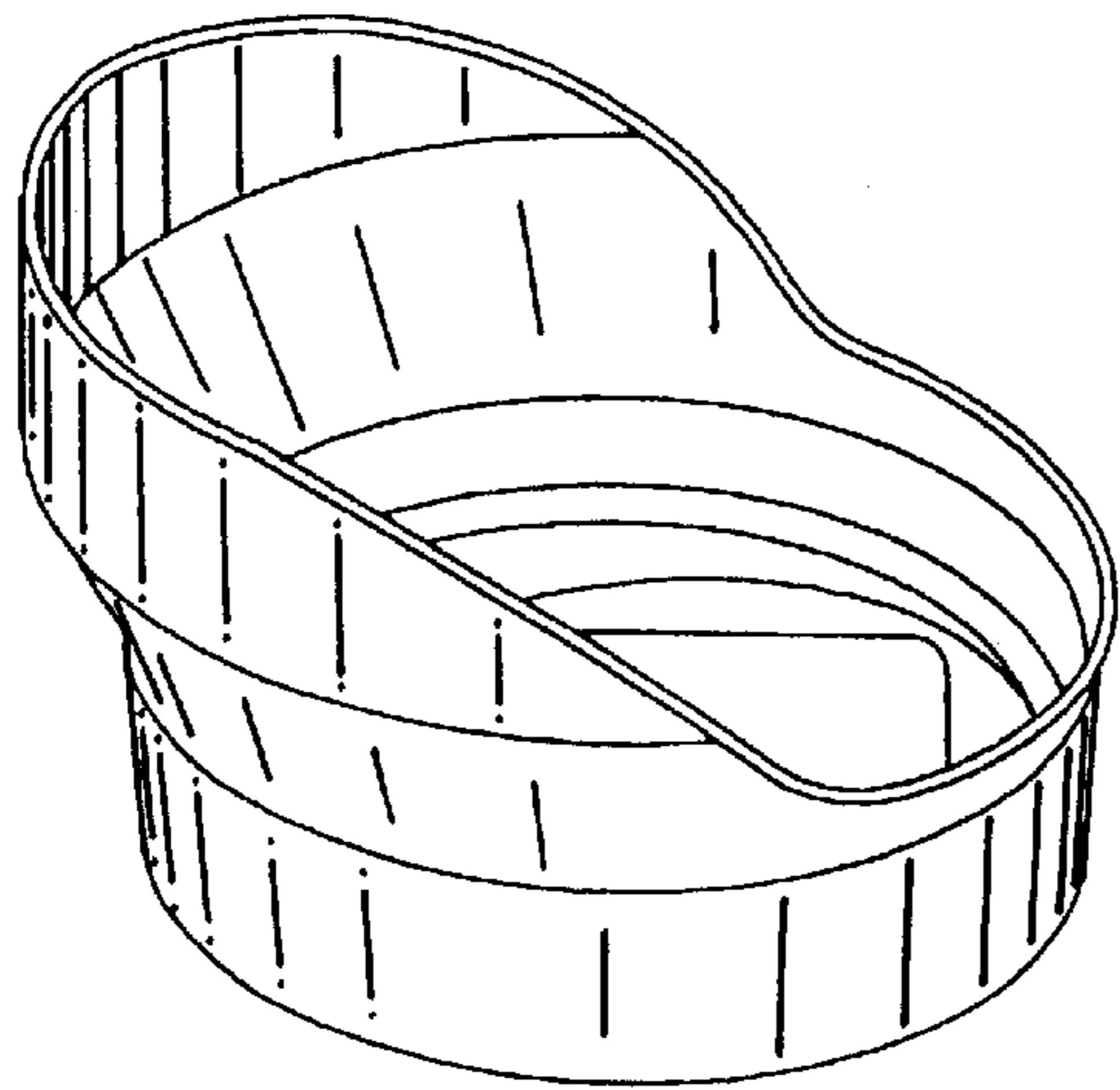


FIG. 1

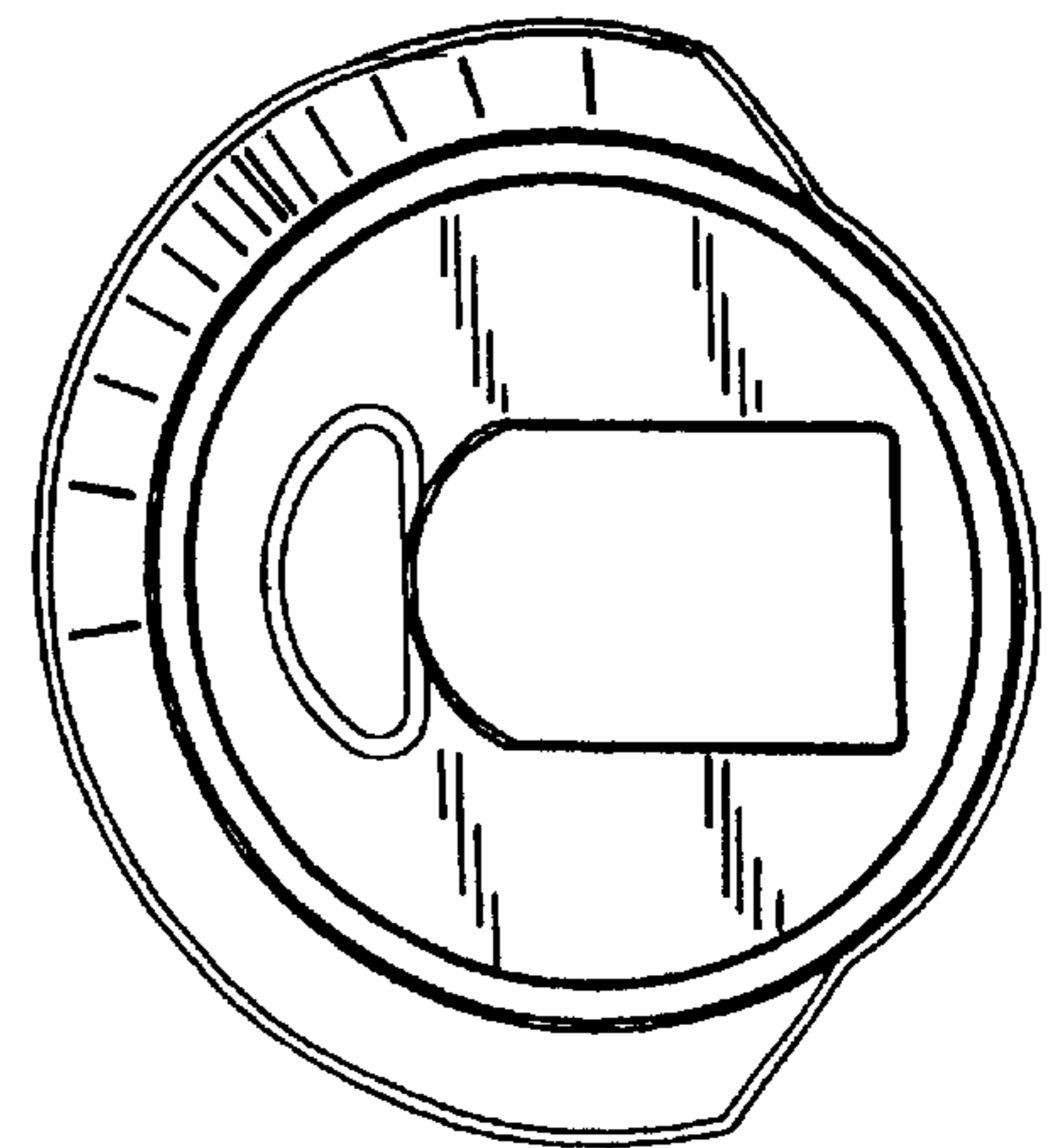


FIG. 2

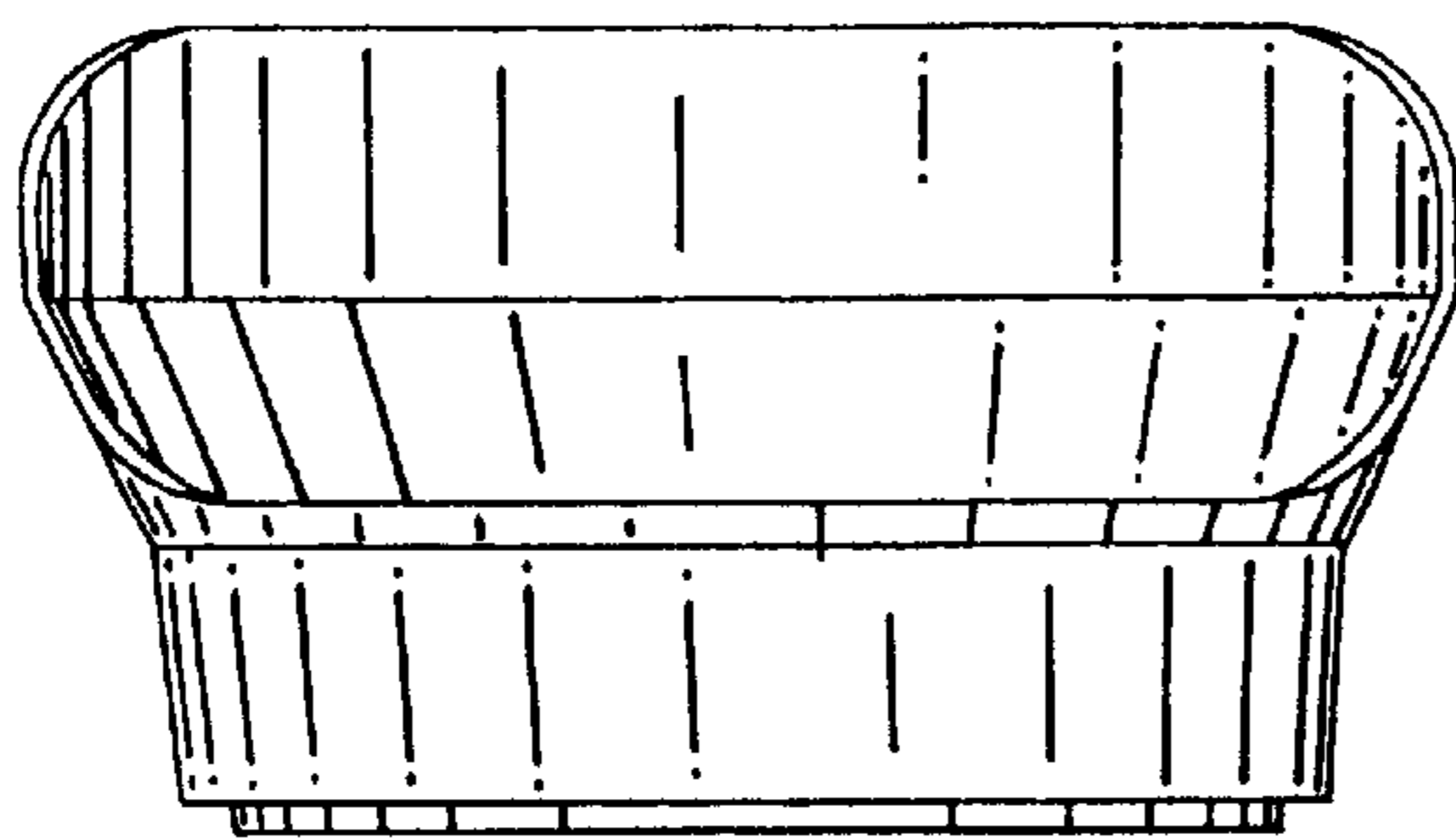


FIG. 3

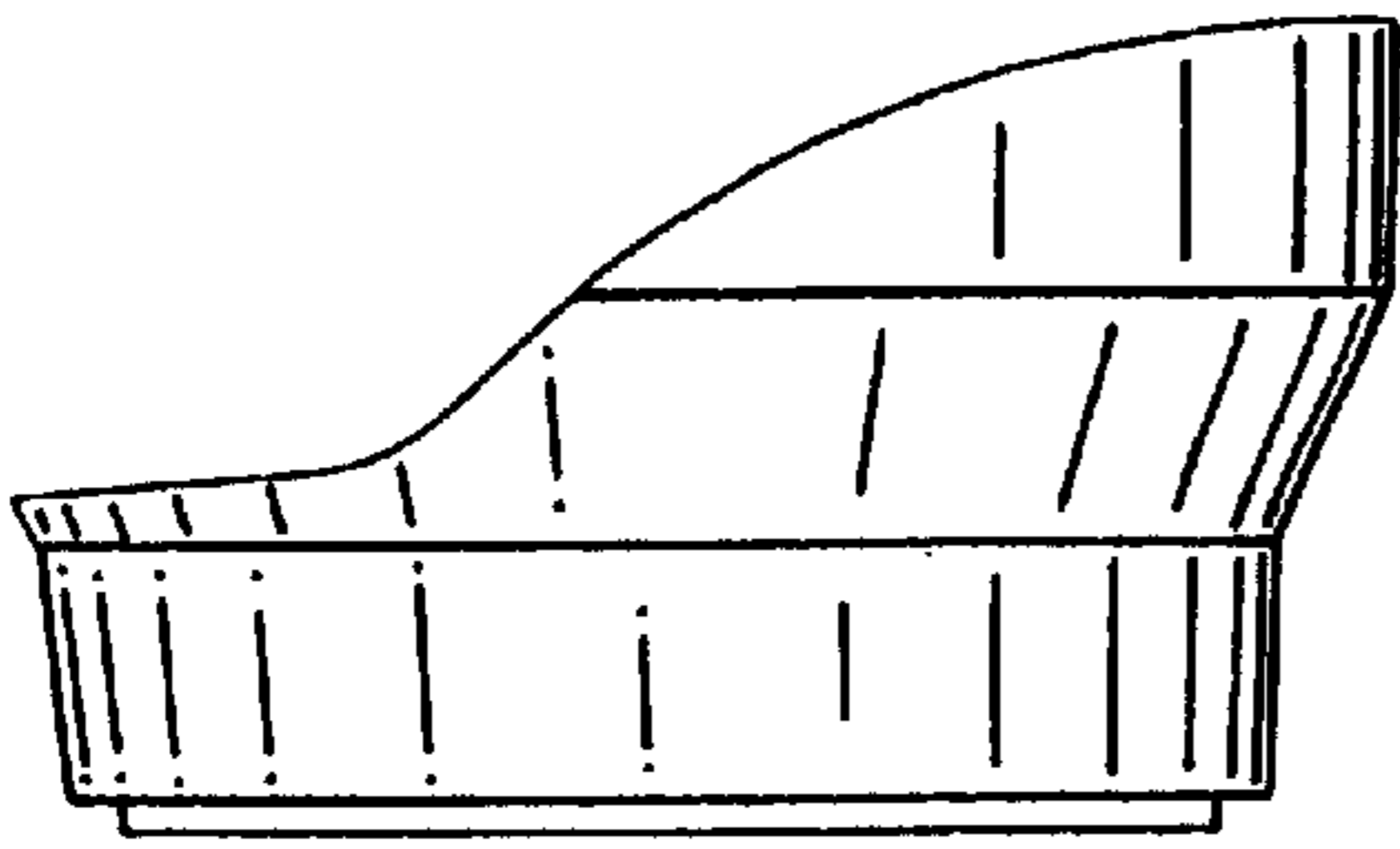


FIG. 4

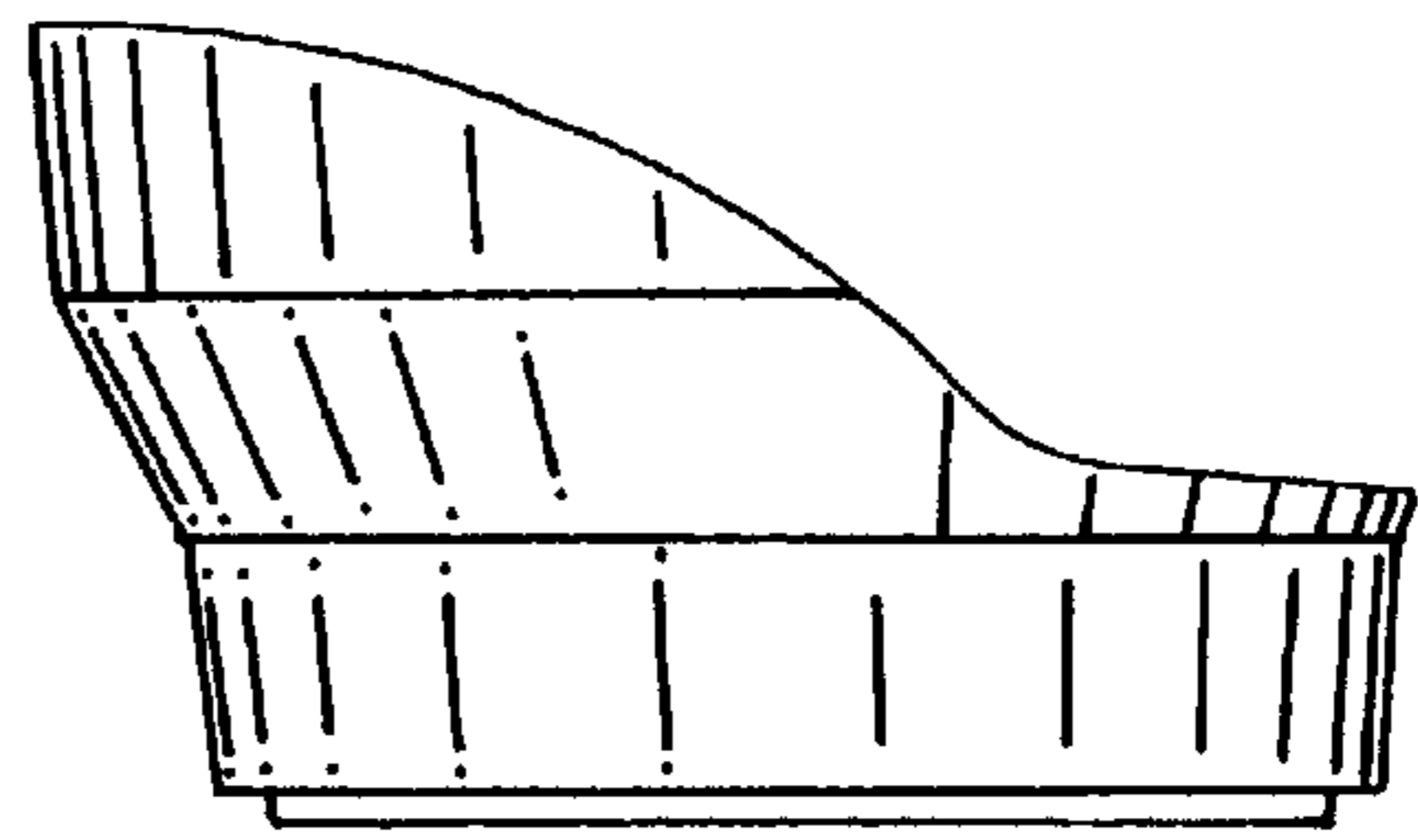


FIG. 5

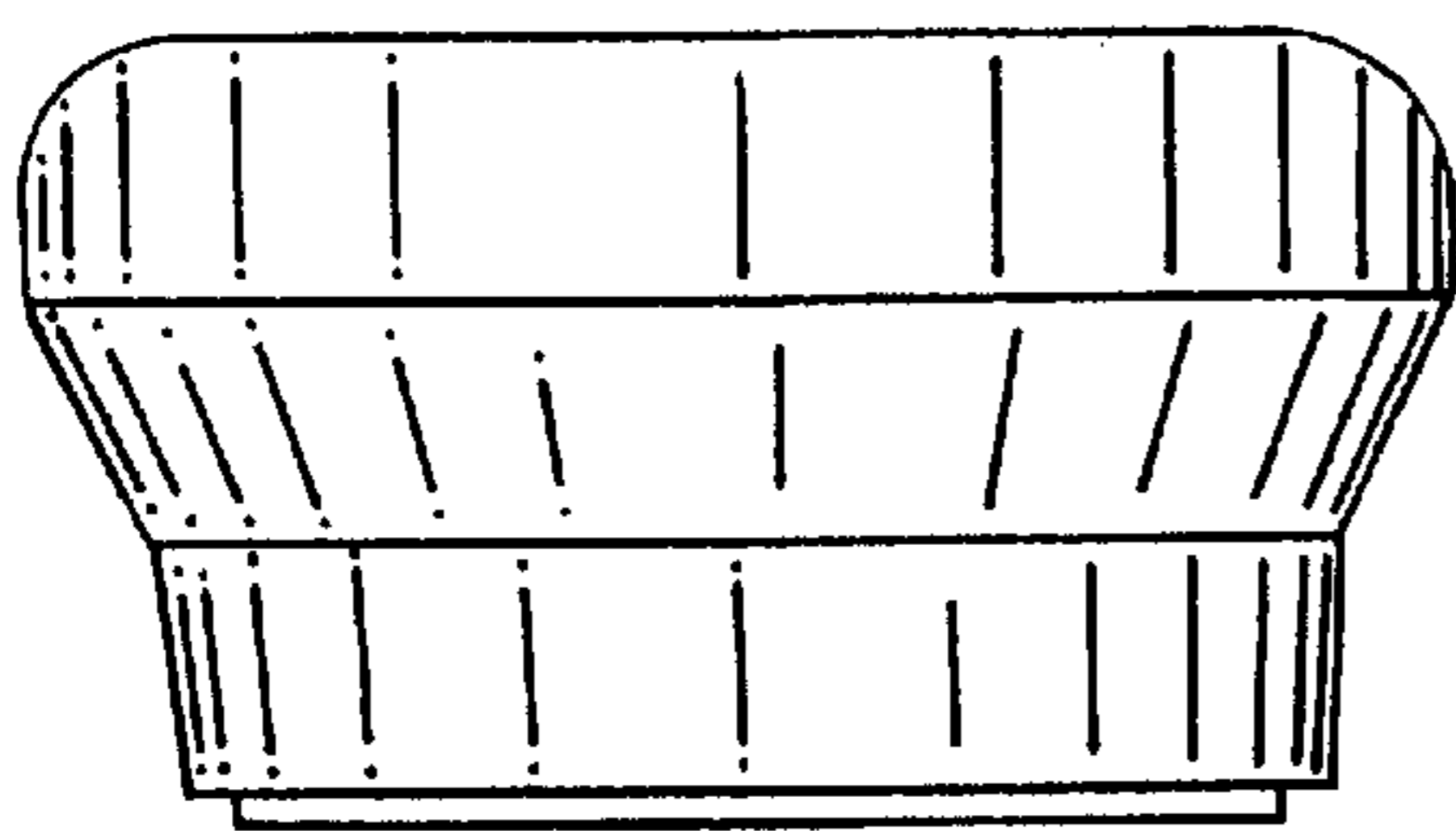


FIG. 6

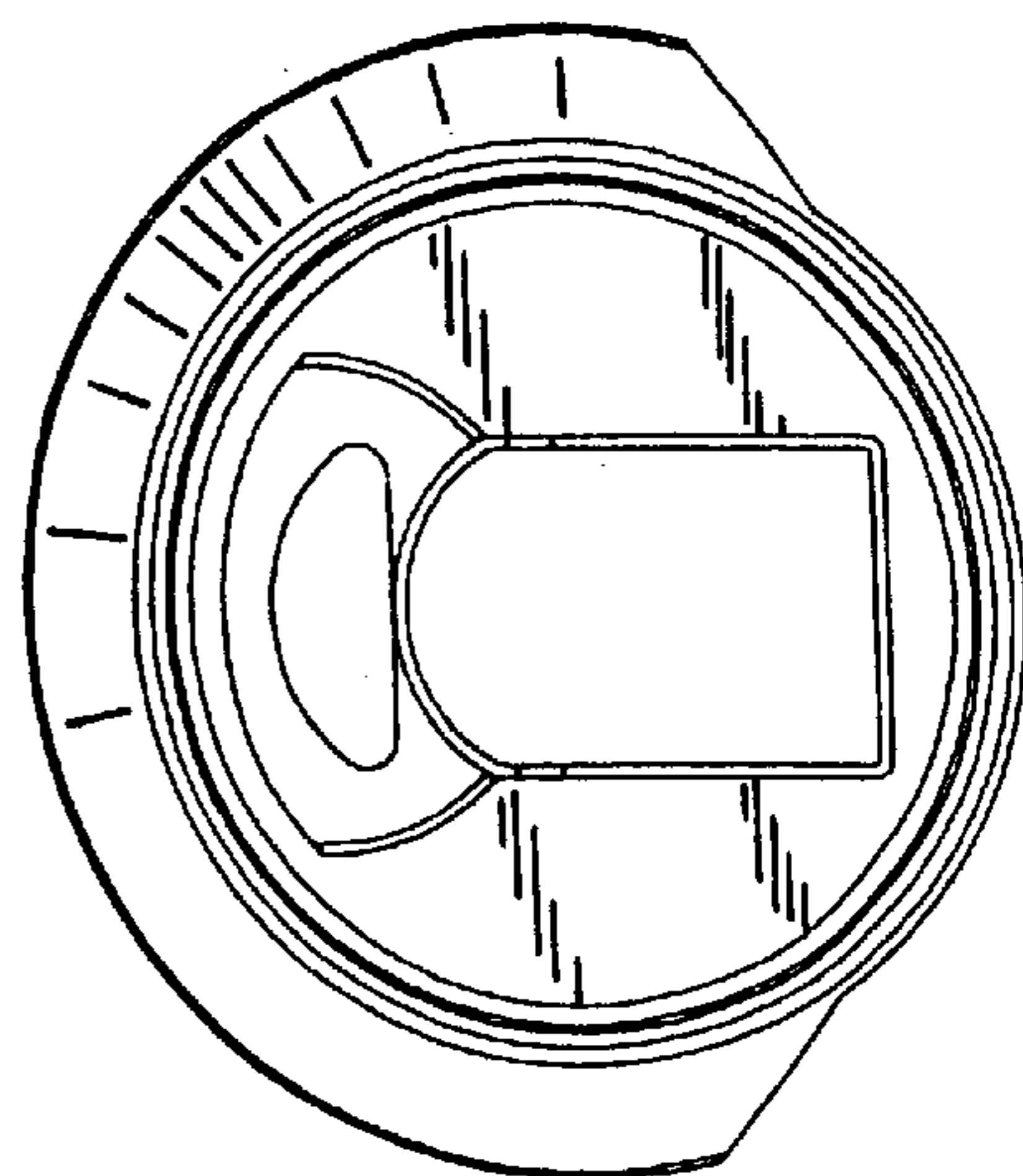


FIG. 7

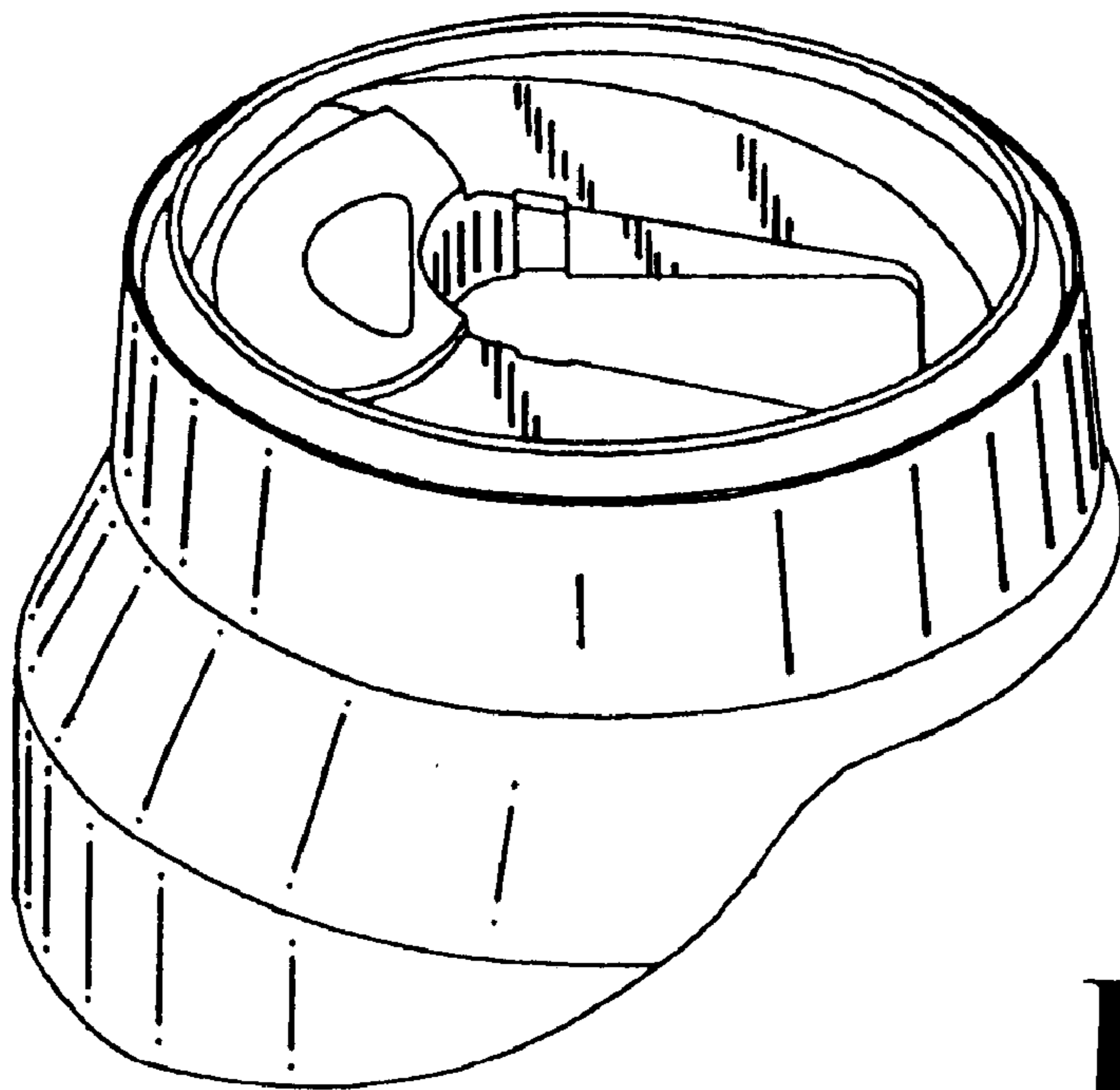


FIG. 8