



US00D471805S

(12) **United States Design Patent**  
**Bezek et al.**

(10) **Patent No.:** **US D471,805 S**

(45) **Date of Patent:** **\*\* Mar. 18, 2003**

(54) **SNACK FOOD CONTAINER**  
(75) Inventors: **Edward Anthony Bezek**, Frisco, TX  
(US); **Joseph Paul Sagel**, Highland  
Village, TX (US)

4,051,265 A 9/1977 Kirschenbaum et al.  
4,054,220 A 10/1977 Rosenstein  
D246,896 S 1/1978 Plummer

(List continued on next page.)

(73) Assignee: **Recot, Inc.**, Pleasanton, CA (US)  
(\*\*) Term: **14 Years**

**FOREIGN PATENT DOCUMENTS**

FR 2646071 4/1989  
WO WO 92/04243 3/1992

(21) Appl. No.: **29/155,321**  
(22) Filed: **Feb. 8, 2002**

**OTHER PUBLICATIONS**

Advertisement by Land O' Lakes showing a personal size container for beverages, trademarked as the "Grip." It also has a resealable top.

(51) **LOC (7) Cl.** ..... **09-03**  
(52) **U.S. Cl.** ..... **D9/429; D9/428**  
(58) **Field of Search** ..... D9/418, 414, 428,  
D9/429, 425, 424, 430, 432, 500, 502,  
503, 504, 513, 549, 573, 520-543, 552-560;  
229/400-405, 406, 109, 110, 911; 220/241,  
242, 288, 290, 781, 350, 351, 376, 380,  
602, 625, 635, 636, 669, 675, 906; 206/508,  
303, 446; 215/2, 6, 370, 376, 377, 381-384;  
222/92, 107, 105

*Primary Examiner*—Prabhakar Deshmukh  
(74) *Attorney, Agent, or Firm*—Colin P. Cahoon; Carstens,  
Yee & Cahoon, L.L.P.

(57) **CLAIM**

The ornamental design for a snack food container, as shown and described.

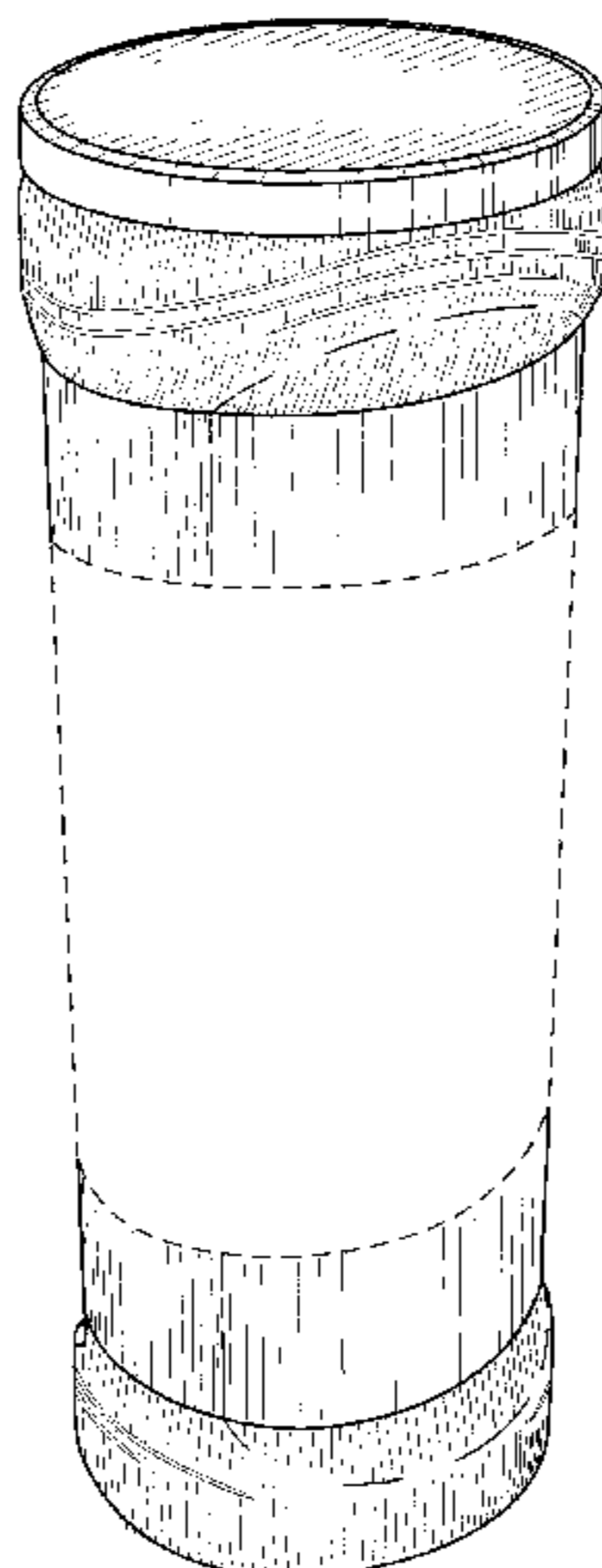
(56) **References Cited**  
**U.S. PATENT DOCUMENTS**

**DESCRIPTION**

2,076,132 A 4/1937 Le Rose  
2,121,041 A 6/1938 Morgan  
2,297,285 A 9/1942 Bledsoe  
2,346,417 A 4/1944 Cornwell et al.  
2,533,349 A 12/1950 Burger  
2,543,427 A 2/1951 Warne  
2,619,245 A 11/1952 Levi  
2,766,796 A 10/1956 Tupper  
3,021,977 A 2/1962 Hester  
D201,400 S \* 6/1965 Elgini, III ..... D9/556  
D209,715 S \* 12/1967 Ninesling et al. .... D9/539  
3,760,968 A 9/1973 Amberg et al.  
3,813,000 A 5/1974 Underwood  
3,828,999 A 8/1974 Humphrey  
3,872,994 A \* 3/1975 Hyde ..... 220/906  
3,915,296 A 10/1975 Spencer  
3,927,790 A \* 12/1975 Chase et al. .... 220/675  
3,952,911 A 4/1976 Bozek et al.

FIG. 1 is a perspective view of the snack food container of the present invention;  
FIG. 2 is a top perspective view of the snack food container of the present invention;  
FIG. 3 is a front elevation view of the snack food container of the present invention, with the rear elevation view a mirror image of the front elevation view;  
FIG. 4 is a right elevation view of the snack food container of the present invention, with the left elevation view a mirror image of the right elevation view;  
FIG. 5 is a top plan view of the snack food container of the present invention; and,  
FIG. 6 is a bottom plan view of the snack food container of the present invention.  
The broken lines defining a center portion of the snack food container, as shown in FIGS. 1, 2, 3, and 4, are for illustrative purposes only and form no part of the claimed design.

**1 Claim, 3 Drawing Sheets**



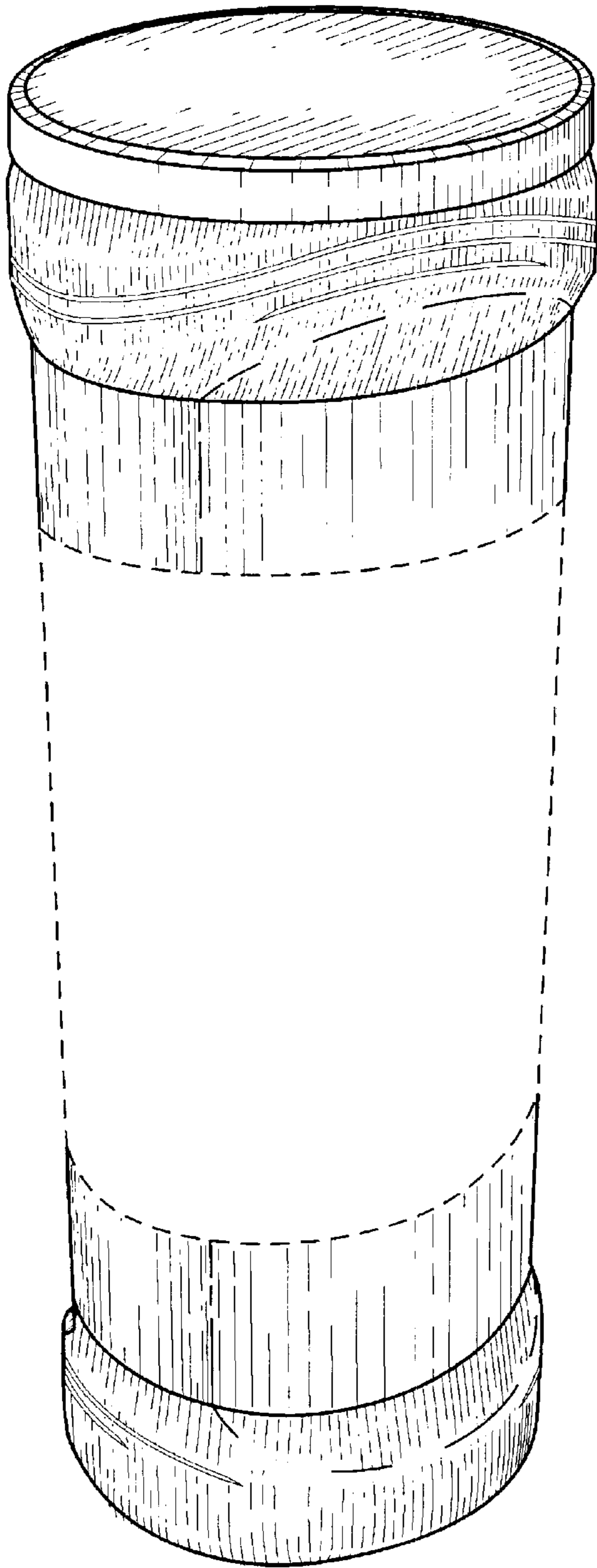
# US D471,805 S

Page 2

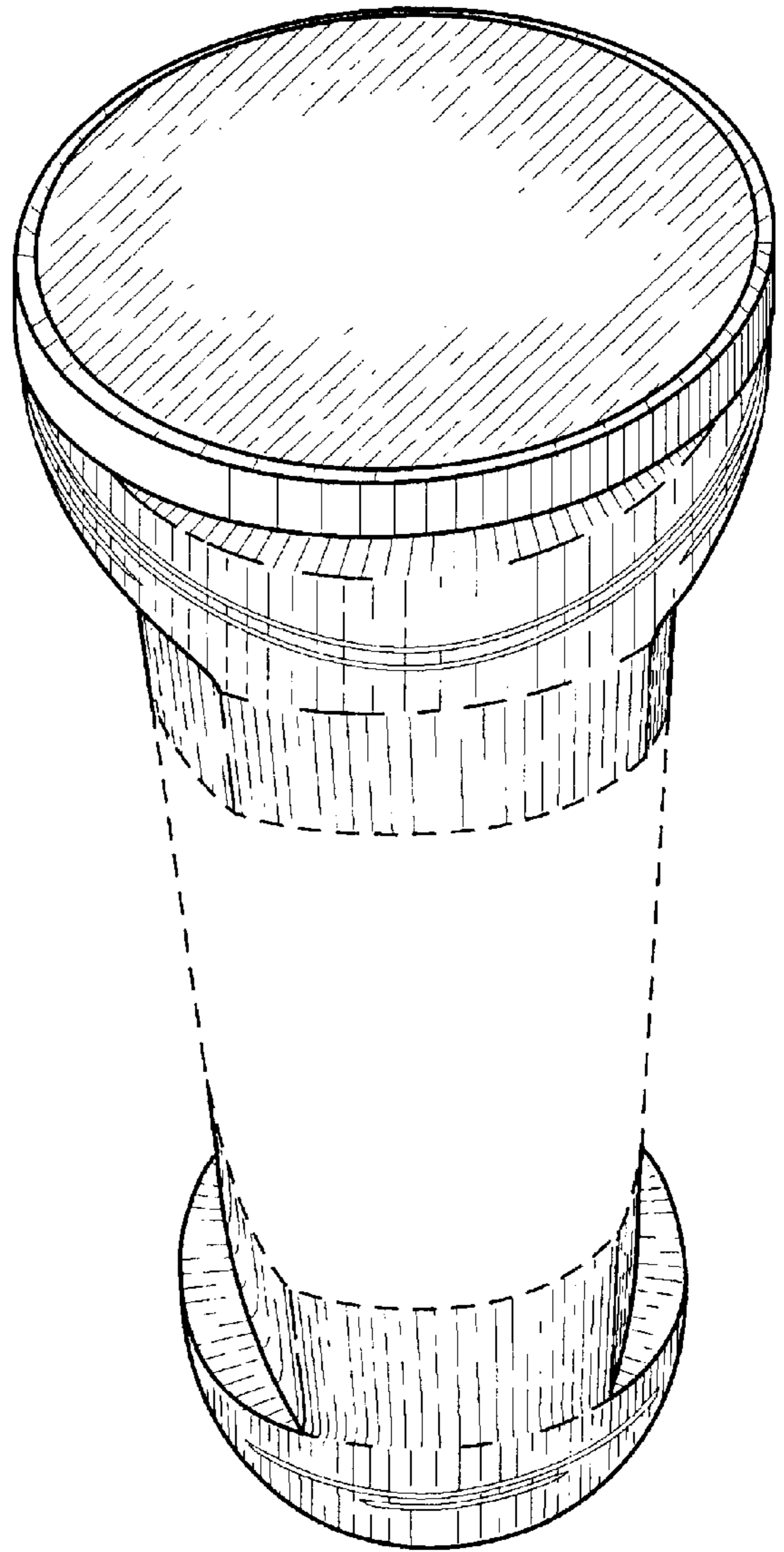
## U.S. PATENT DOCUMENTS

D247,471 S	3/1978	Strand	5,482,170 A	1/1996	Semersky et al.
D247,472 S	3/1978	Byrne	5,499,763 A	3/1996	DeMars
4,077,538 A	3/1978	Waterbury	D371,304 S	7/1996	Onneweer
D247,847 S	5/1978	Kretz	5,613,620 A	3/1997	Center et al.
4,163,517 A	8/1979	Kappler	5,788,076 A	8/1998	Simmons
4,190,168 A	2/1980	Jacques	5,797,509 A	8/1998	Fitch
D254,840 S	4/1980	Aldrich, III	D399,429 S	* 10/1998	Ramsey ..... D9/539
RE30,805 E	11/1981	Rhoads	5,906,286 A	* 5/1999	Matsuno et al. .... 220/675
4,417,504 A	11/1983	Yamamoto	5,938,062 A	8/1999	Paramski
4,444,324 A	4/1984	Grenell	6,006,945 A	12/1999	Kirkland
4,483,890 A	11/1984	Beery et al.	D418,758 S	1/2000	Yucknut
4,819,819 A	4/1989	Robertson, Jr.	D429,166 S	* 8/2000	Ogg ..... D9/552
5,065,923 A	11/1991	Hoefler et al.	6,152,302 A	11/2000	Miller et al.
D337,271 S	* 7/1993	Pezzoli et al. .... D9/539	6,170,666 B1	1/2001	DesLauriers
D345,695 S	4/1994	Frazer et al.	6,220,475 B1	* 4/2001	Nayar et al. .... 220/669
5,383,558 A	1/1995	Wilkinson et al.	D448,290 S	* 9/2001	Schultz et al. .... D9/428
5,429,262 A	7/1995	Sharkey	6,311,861 B1	* 11/2001	Policappelli ..... 220/906

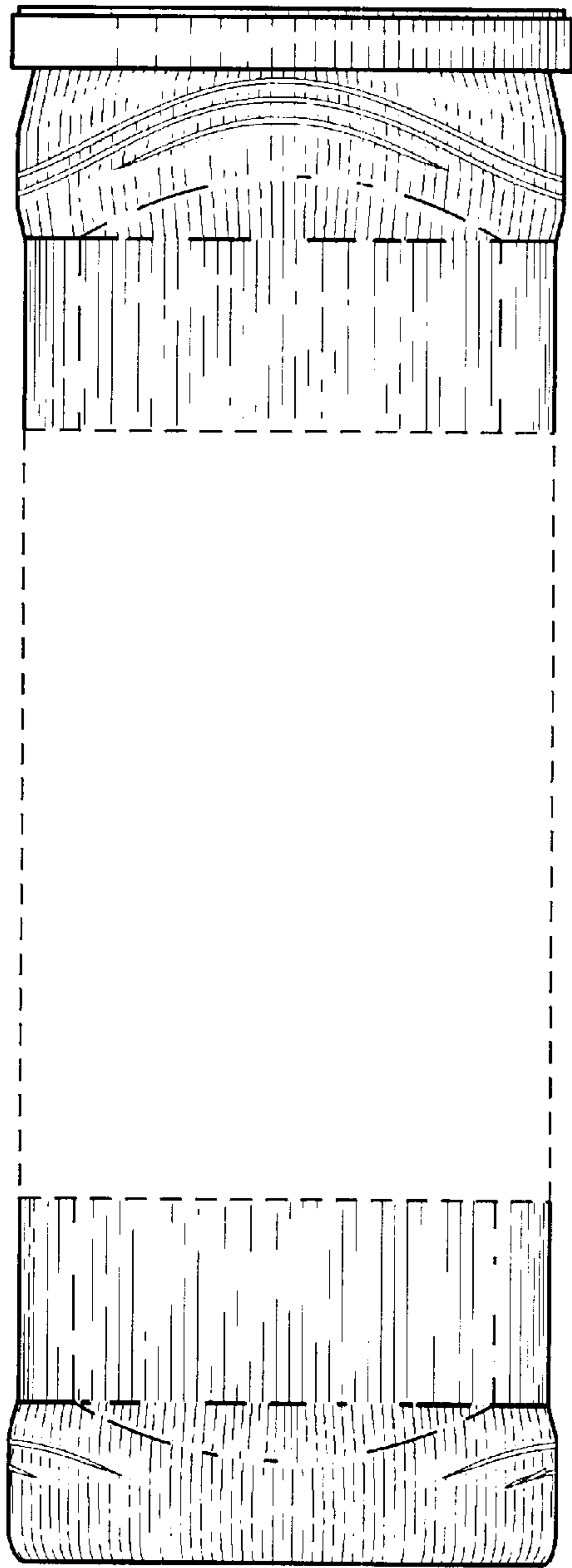
\* cited by examiner



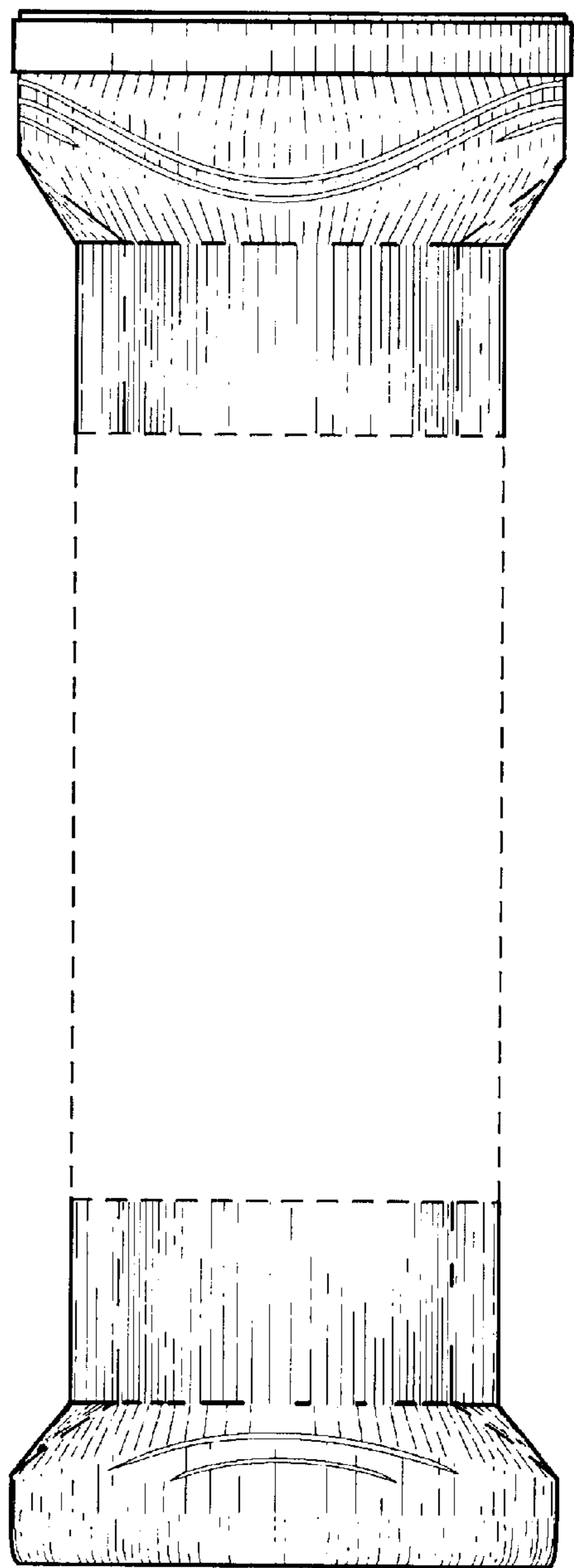
**FIG. 1**



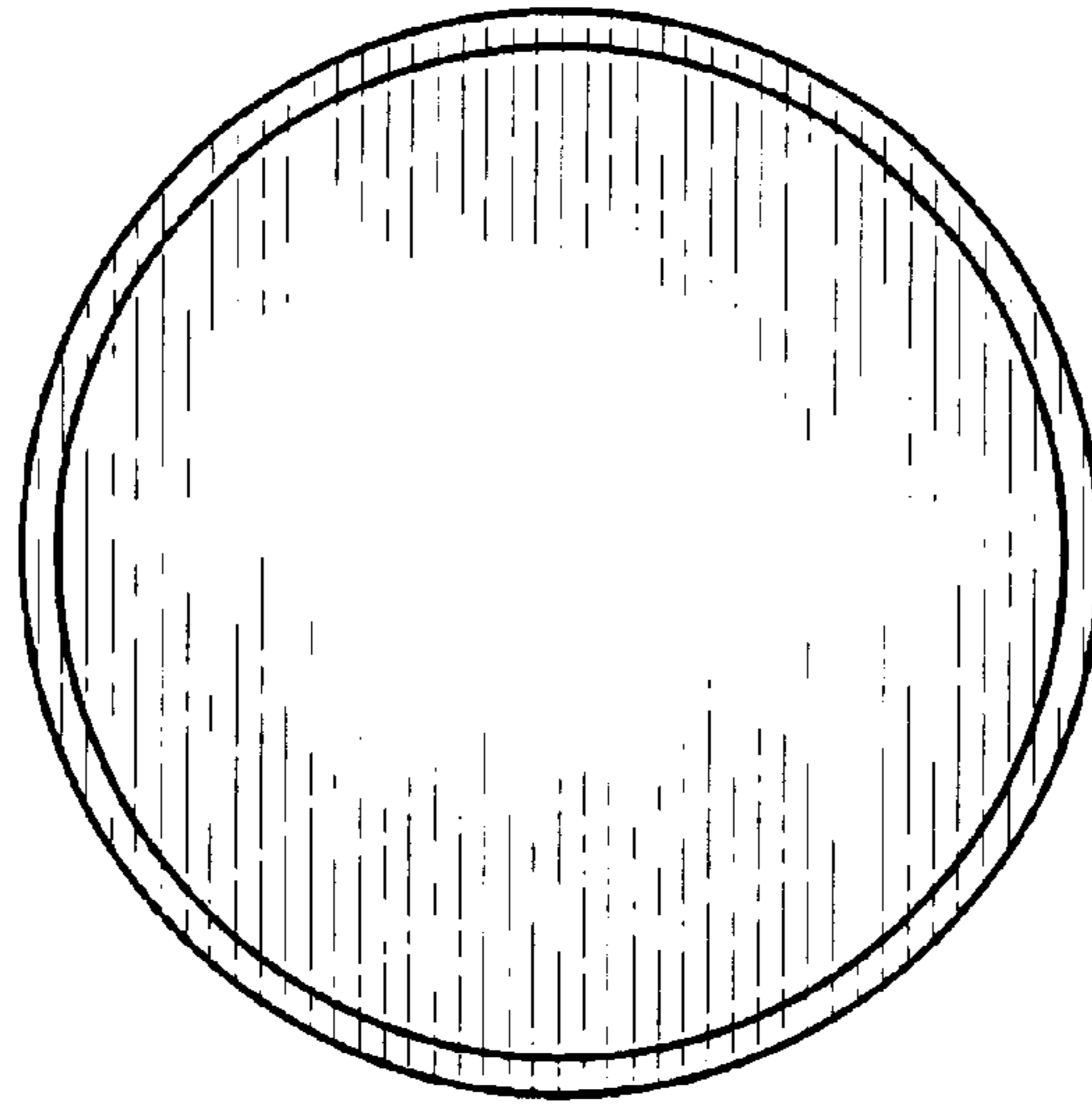
**FIG. 2**



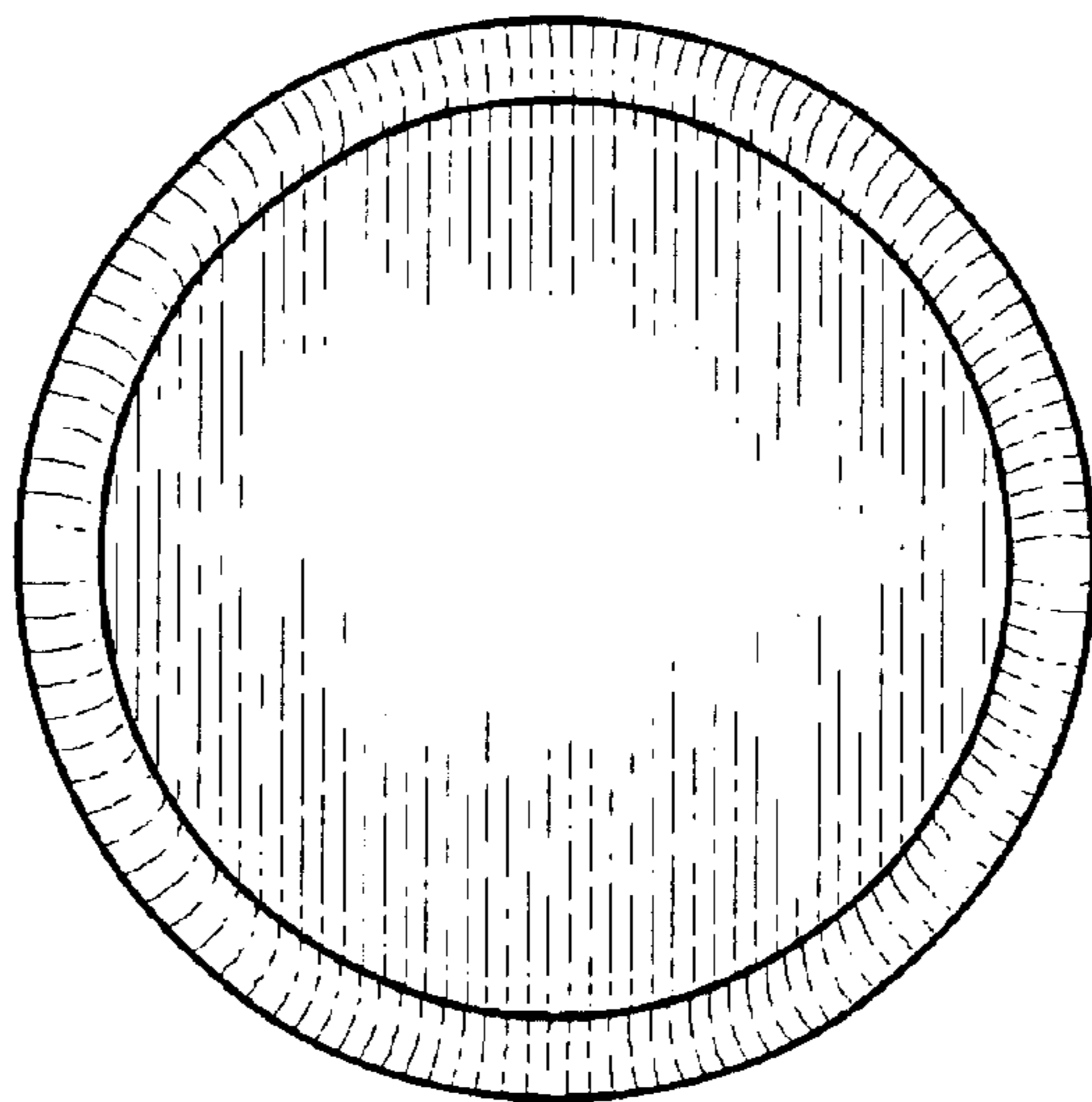
**FIG. 3**



**FIG. 4**



**FIG. 5**



**FIG. 6**