



US00D471803S

(12) **United States Design Patent**
Trombly

(10) **Patent No.:** **US D471,803 S**

(45) **Date of Patent:** **** Mar. 18, 2003**

(54) **CONTAINER**

(75) **Inventor:** **Edgar F. Trombly**, Grosse Pointe Farms, MI (US)

(73) **Assignee:** **Punch Products USA, Inc.**, Rahway, NJ (US)

(**) **Term:** **14 Years**

(21) **Appl. No.:** **29/166,267**

(22) **Filed:** **Aug. 22, 2002**

(51) **LOC (7) Cl.** **09-03**

(52) **U.S. Cl.** **D9/341**

(58) **Field of Search** D7/509, 513; D9/341, D9/414, 424, 430-431, 499, 549; 206/216-217, 527; 215/6, 386-387, 400; 220/4.01, 4.04, 4.05, 4.06, 4.07, 4.21, 4.24, 4.25, 500, 503, 507, 528, 553, 890

(56) **References Cited**

U.S. PATENT DOCUMENTS

- 505,715 A * 9/1893 Milsted
- 1,848,331 A * 3/1932 Esslinger
- 2,191,811 A * 2/1940 Trampier, Sr. 119/51
- 2,335,016 A * 11/1943 Lorenzen et al. 206/42
- 2,944,661 A * 7/1960 Goldstein 206/5
- D258,796 S * 4/1981 Paulides D7/10

D292,883 S * 11/1987 Griffin et al. D9/500

5,242,071 A * 9/1993 Goebel 220/4.23

5,588,561 A * 12/1996 Ness

D423,877 S * 5/2000 Kerr D7/509

6,123,214 A * 9/2000 Goebel 220/23.4

* cited by examiner

Primary Examiner—Ted Shooman

Assistant Examiner—Daniel Bui

(74) *Attorney, Agent, or Firm*—Pennie & Edmonds LLP

(57) **CLAIM**

The ornamental design for a container, as shown and described.

DESCRIPTION

FIG. 1 is a perspective view of a container according to the present invention, with portions shown in broken lines, and therefore, not constituting part of the claimed design;

FIG. 2 is a front view thereof, with the rear view being a mirror image thereof;

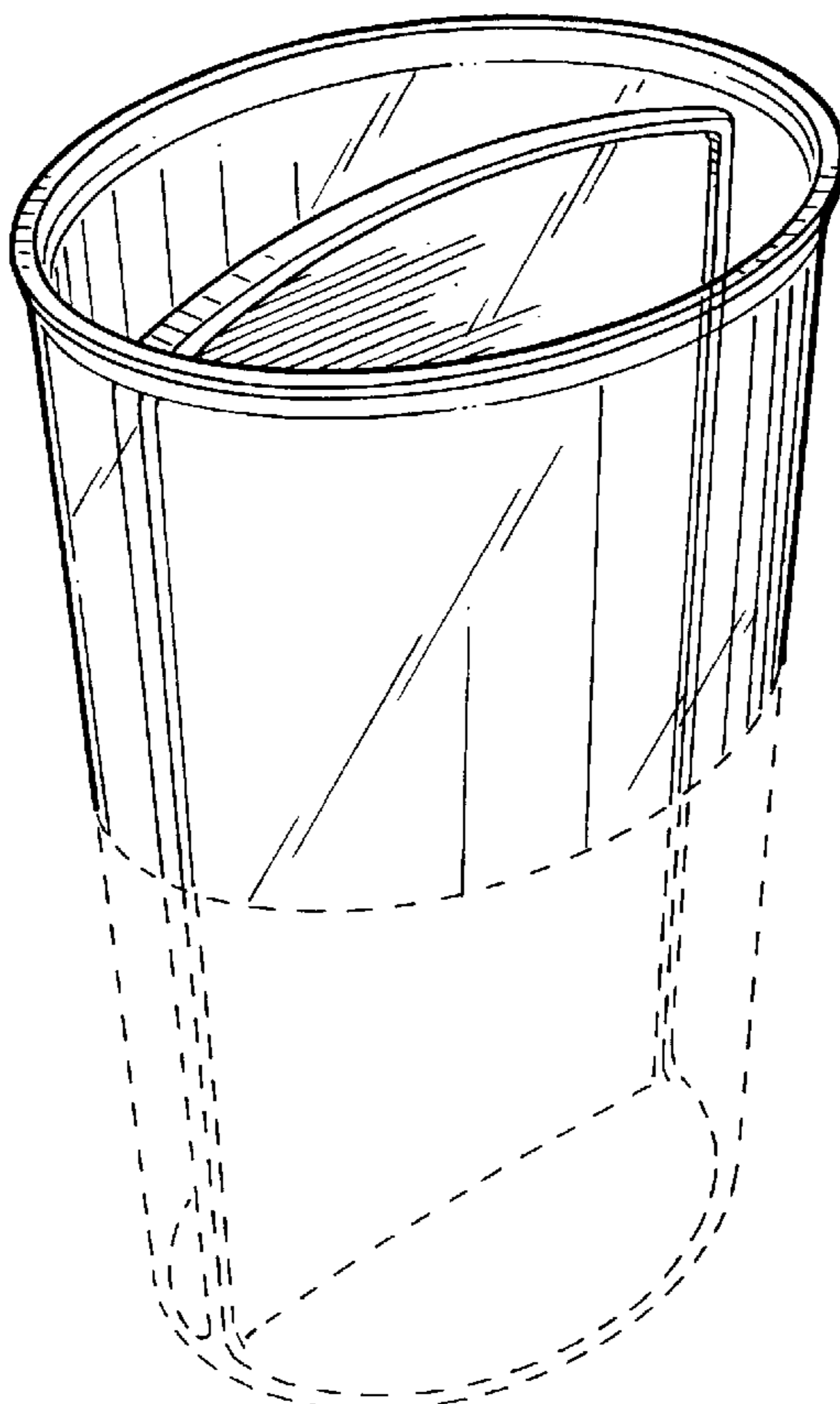
FIG. 3 is a top view thereof;

FIG. 4 is a right side view thereof, with the left side view being a mirror image thereof; and,

FIG. 5 is a bottom view thereof.

All broken lines in the above figures are for illustrative purposes only and form no part of the claimed design.

1 Claim, 5 Drawing Sheets



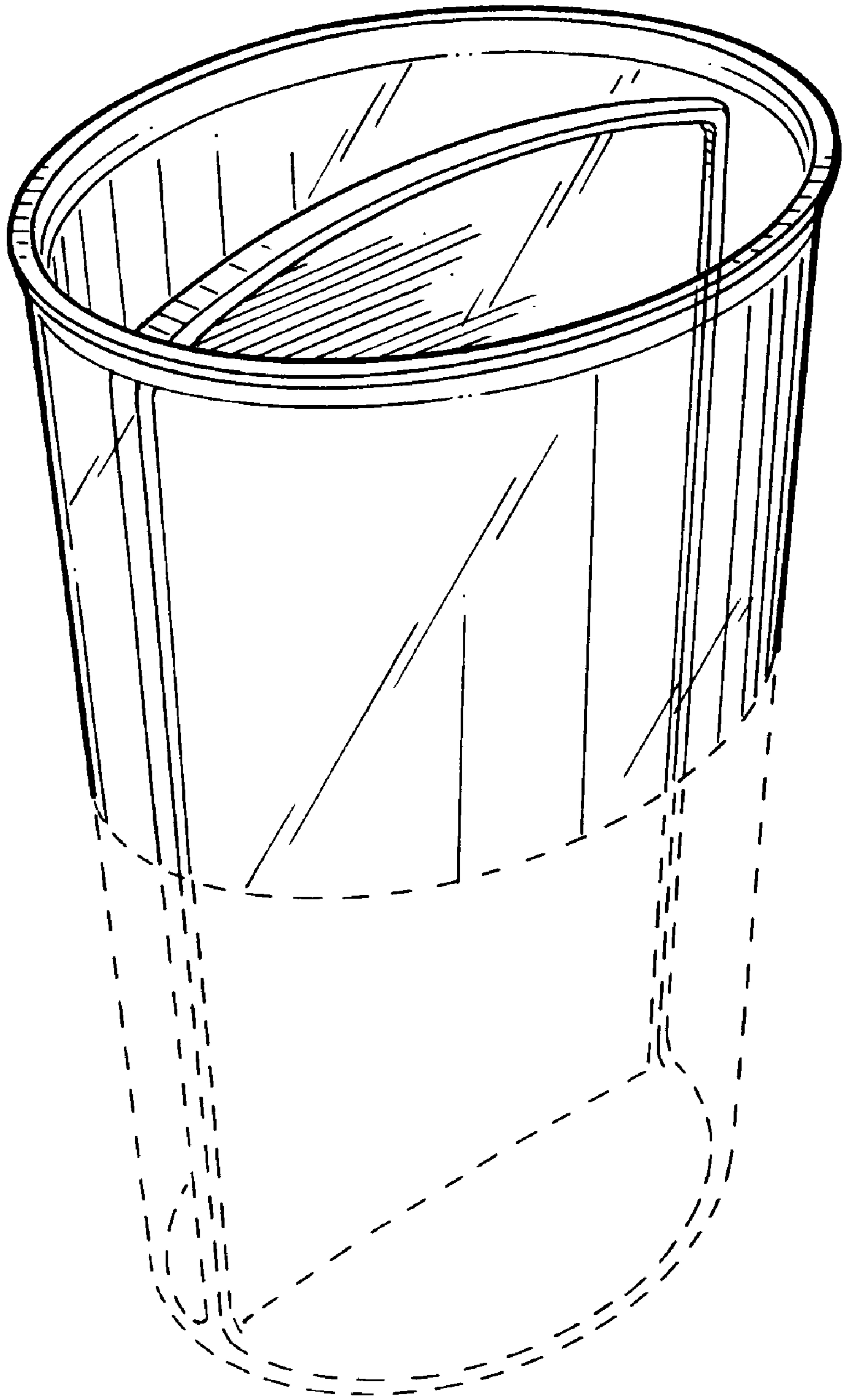


FIG. 1

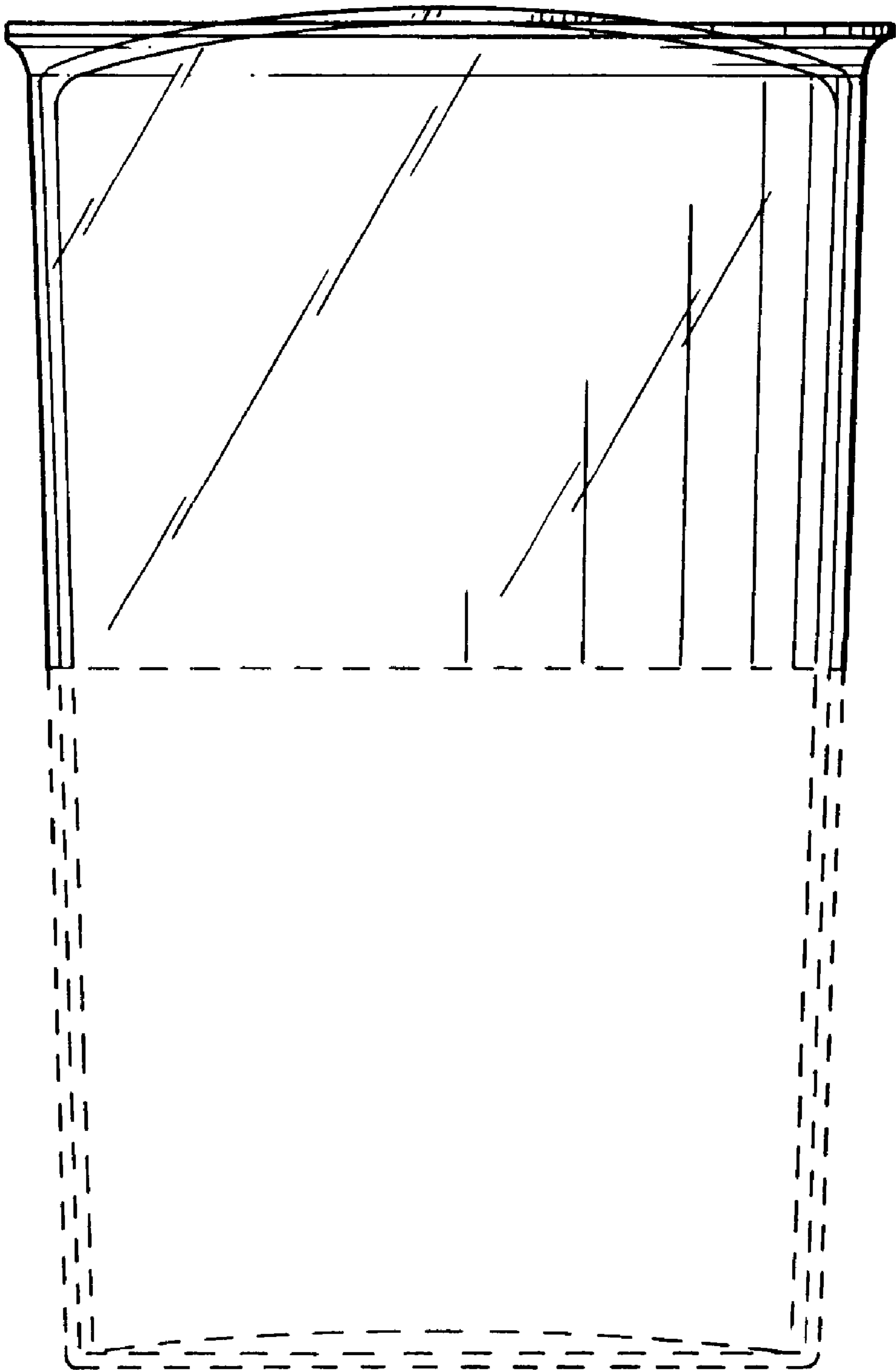


FIG. 2

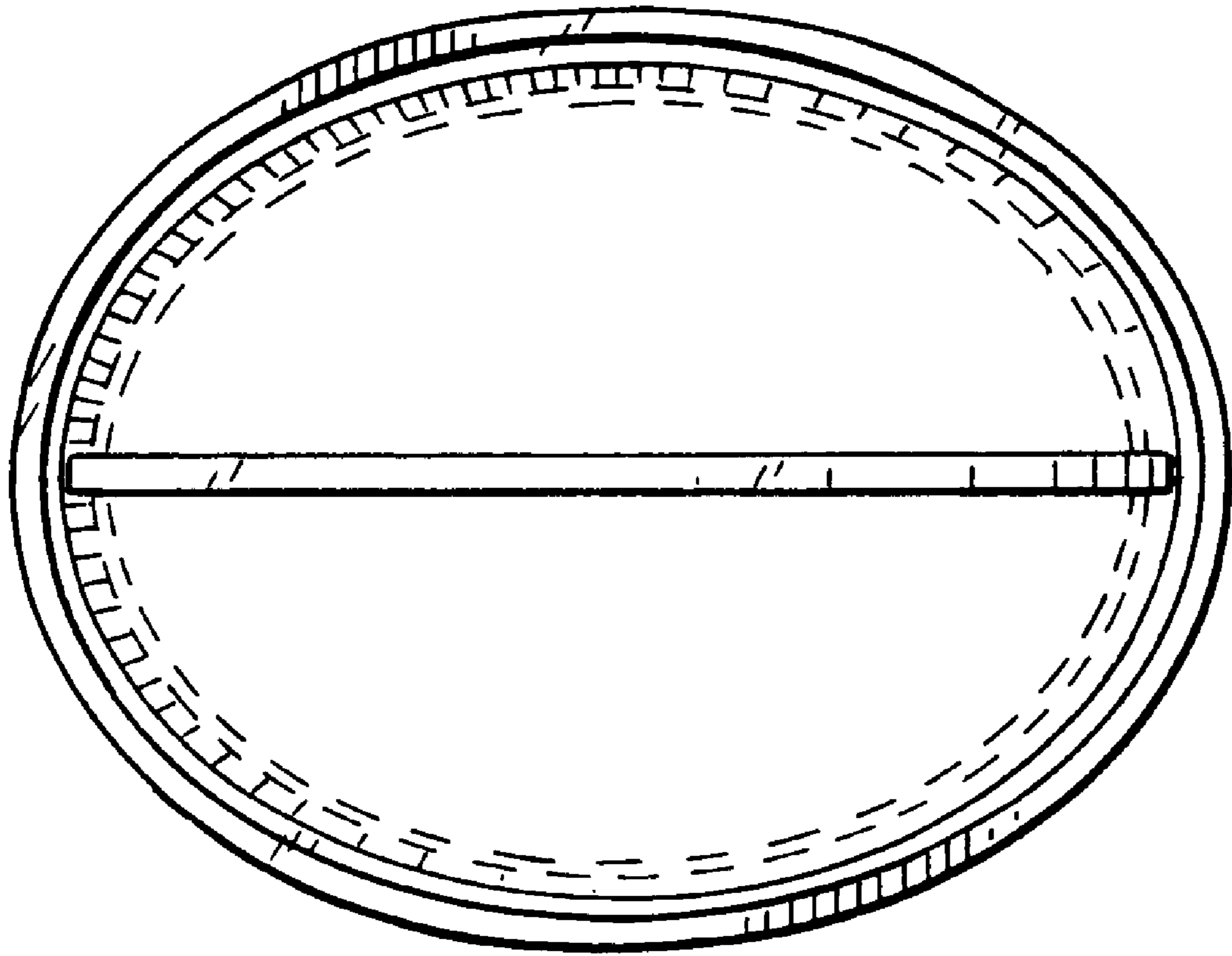


FIG. 3

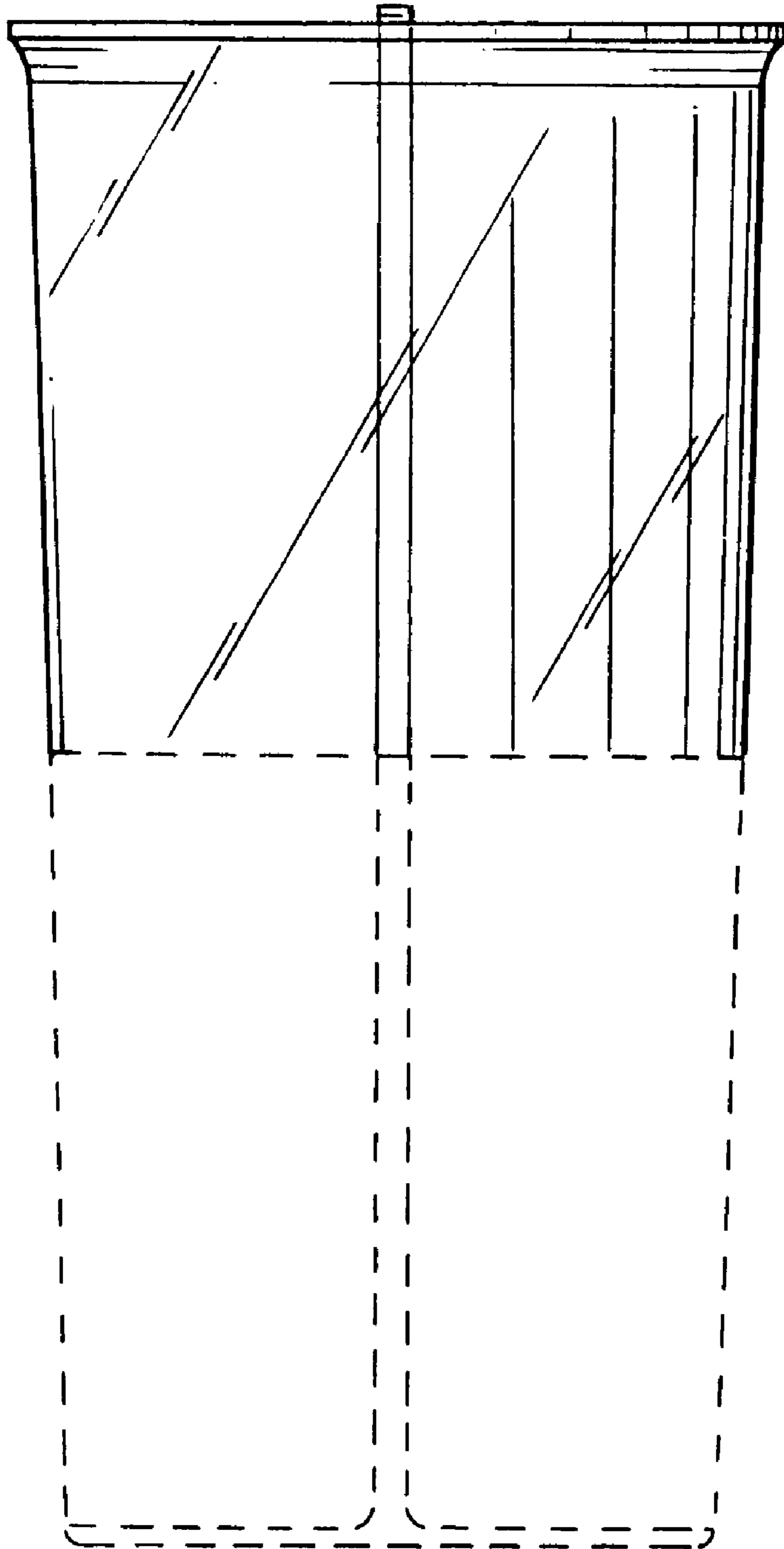


FIG. 4

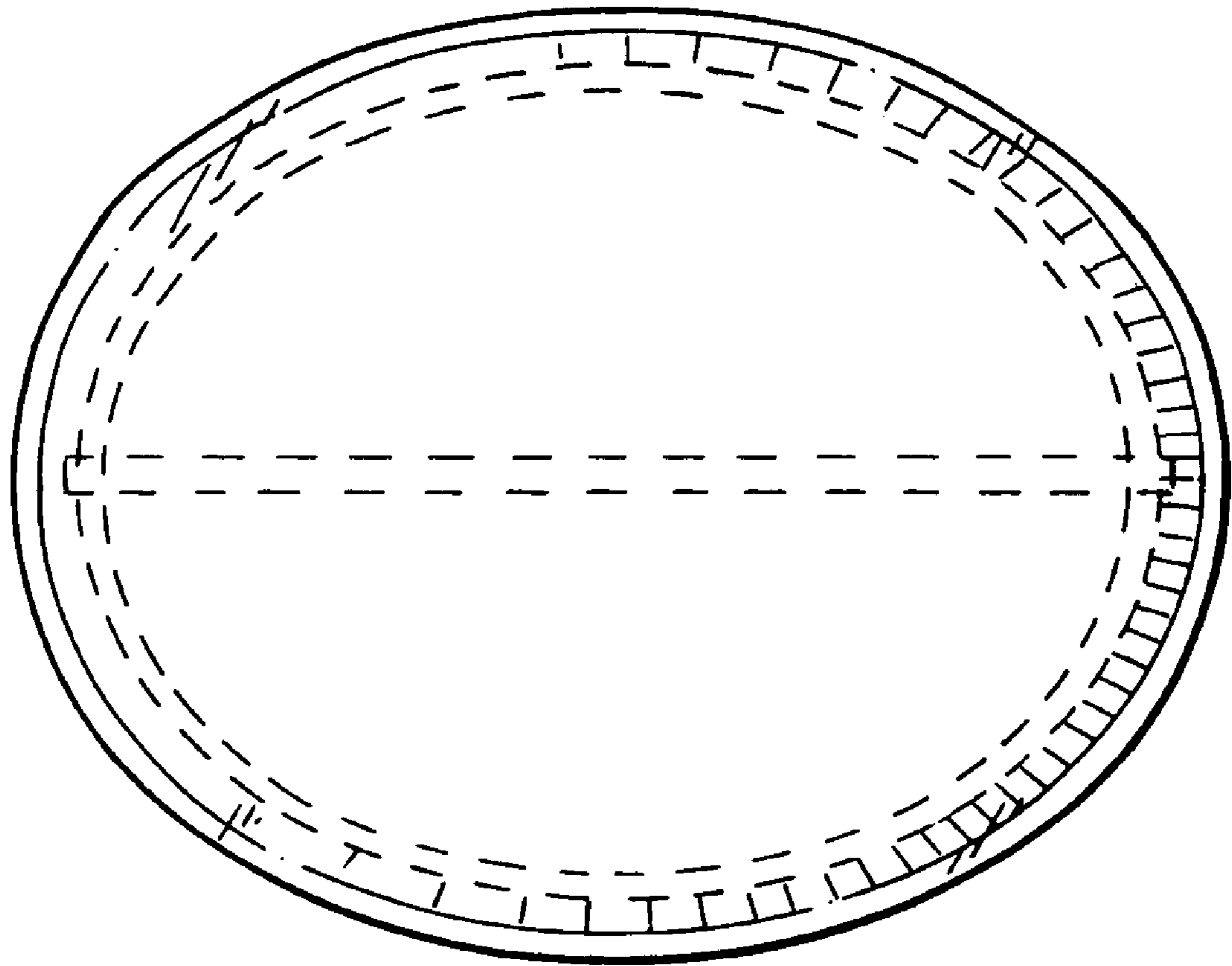


FIG. 5