



US00D471799S

(12) **United States Design Patent**
Davis

(10) **Patent No.:** **US D471,799 S**

(45) **Date of Patent:** **** Mar. 18, 2003**

(54) **COMPRESSED FABRIC ARTICLE PACKAGE
HAVING A SIMULATED DOUGHNUT SHAPE**

3,857,330 A * 12/1974 Ruckstaetter D1/120 X
4,561,476 A * 12/1985 Bunkoczy 141/311 R
4,624,119 A * 11/1986 Newman et al. 70/366
5,834,689 A * 11/1998 Cook 174/50

(76) **Inventor:** **Alan Davis**, 9895 Olson Dr., Suite A,
San Diego, CA (US) 92121

* cited by examiner

(**) **Term:** **14 Years**

Primary Examiner—Terry A. Wallace

(21) **Appl. No.:** **29/151,749**

(74) *Attorney, Agent, or Firm*—Brown, Martin, Haller &
McClain LLP

(22) **Filed:** **Nov. 13, 2001**

Related U.S. Application Data

(57) **CLAIM**

(63) Continuation-in-part of application No. 29/114,489, filed on
Nov. 23, 1999, now Pat. No. Des. 451,797.

The ornamental design for a compressed fabric article
package having a simulated doughnut shape, as shown.

(51) **LOC (7) Cl.** **09-03**

DESCRIPTION

(52) **U.S. Cl.** **D9/329**

(58) **Field of Search** D1/120; D9/307,
D9/329; D11/131; 206/457; 229/116.1–116.5;
428/7, 11, 542.2, 542.8

FIG. 1 is a perspective view of a compressed fabric article
package having a simulated doughnut shape of the present
invention, showing my new design;

FIG. 2 is a side elevation view thereof; and,

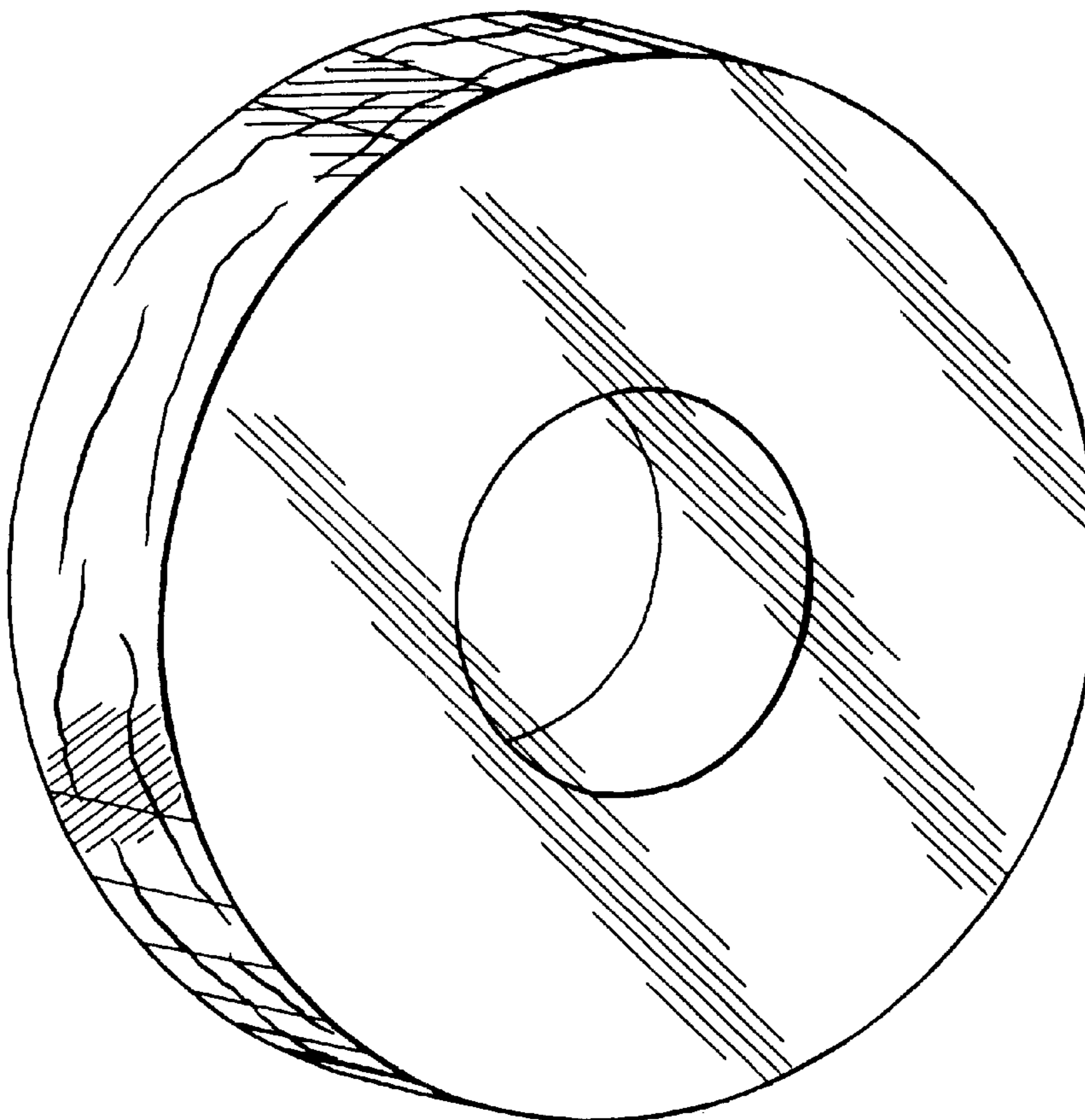
FIG. 3 is a rear view thereof.

(56) **References Cited**

U.S. PATENT DOCUMENTS

2,092,160 A * 9/1937 Haverlander D1/120 X

1 Claim, 1 Drawing Sheet



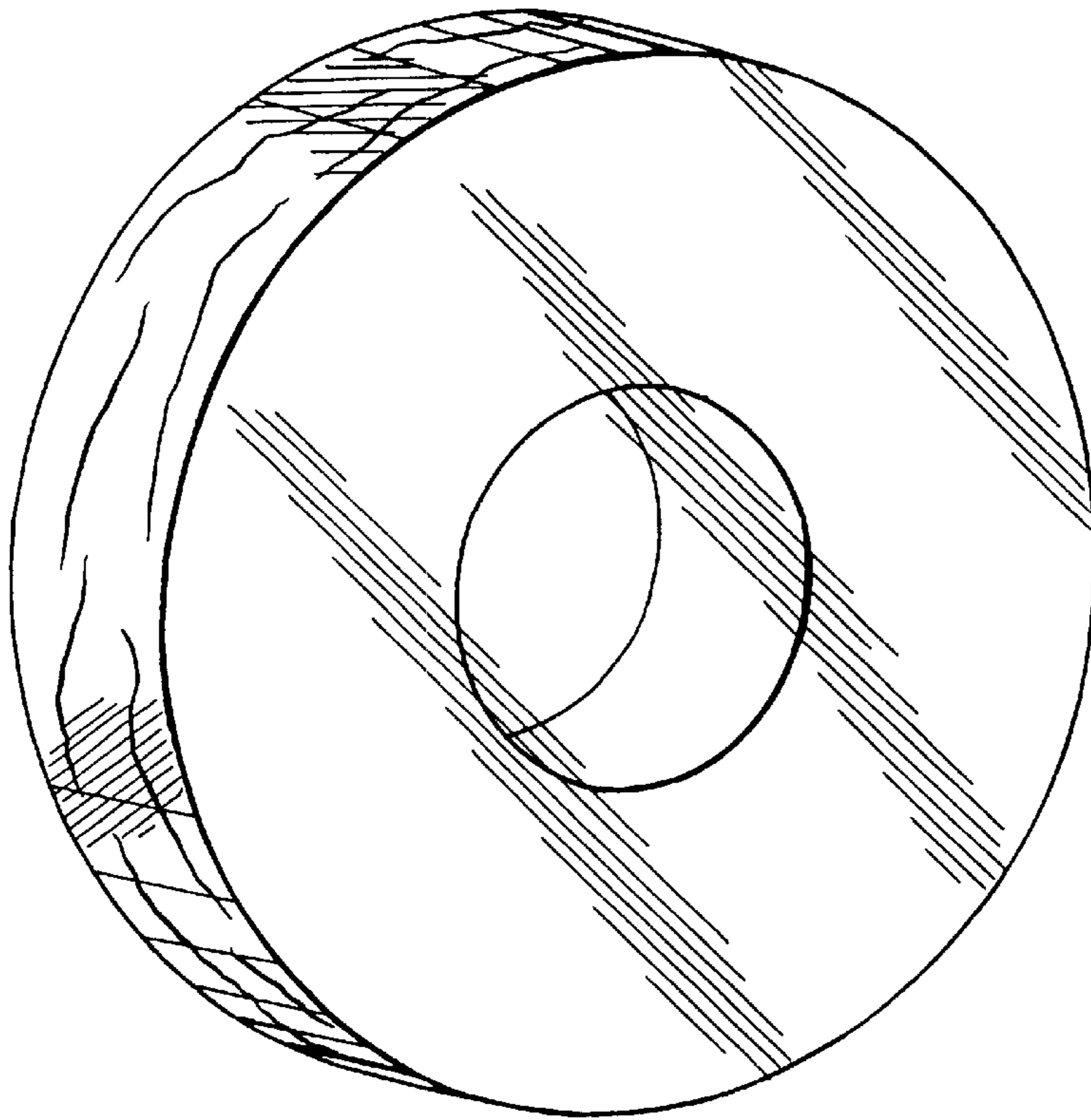


FIG. 1

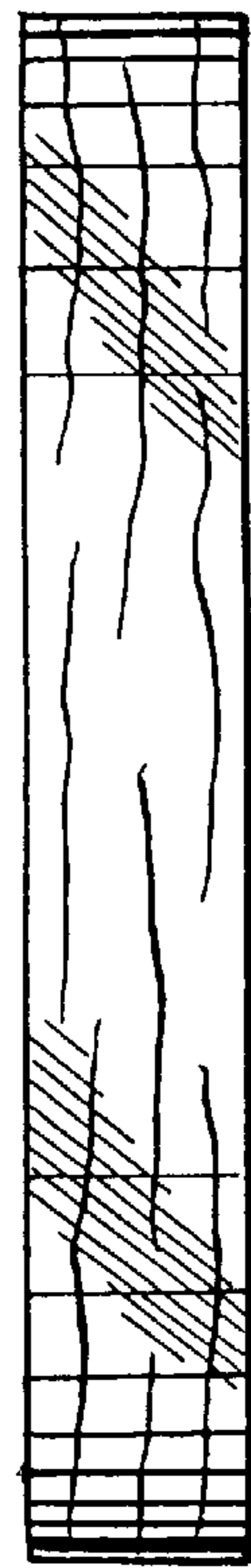


FIG. 2

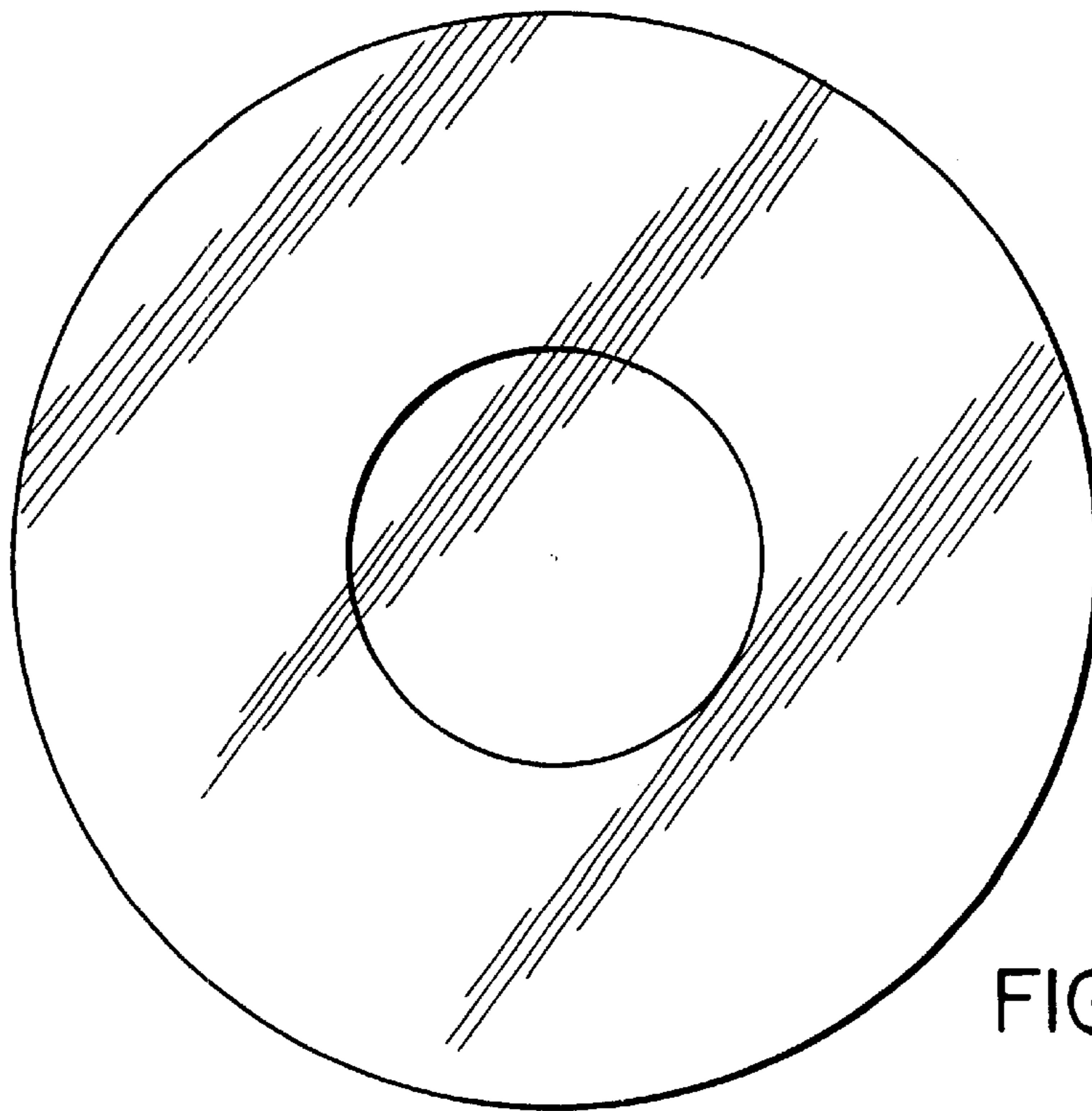


FIG. 3