



US00D471796S

(12) **United States Design Patent**
de Baschmakoff et al.

(10) **Patent No.:** **US D471,796 S**

(45) **Date of Patent:** **** Mar. 18, 2003**

(54) **PUMP FOR LIQUID MEDIA**

(75) Inventors: **Thierry de Baschmakoff**, Paris (FR);
Esther Amann, Radolfzell (DE)

(73) Assignee: **Ing. Erich Pfeiffer GmbH** (DE)

(**) Term: **14 Years**

(21) Appl. No.: **29/157,534**

(22) Filed: **Mar. 21, 2002**

(30) **Foreign Application Priority Data**

Sep. 22, 2001 (DE) 4 01 08 607

(51) **LOC (7) Cl.** **09-01**

(52) **U.S. Cl.** **D9/300**

(58) **Field of Search** D9/300, 436, 448,
D9/449, 450, 503, 544, 545; 222/153.01,
153.11, 153.12, 153.13, 153.14, 321.7,
321.8, 321.9, 402.21, 402.01, 402.24, 402.11;
D28/91.1

(56) **References Cited**

U.S. PATENT DOCUMENTS

3,474,939 A	*	10/1969	O'Donnell et al.	222/402.11
D218,552 S	*	9/1970	Nigro	D9/300
D218,553 S	*	9/1970	Nigro	D9/300
D242,120 S	*	11/1976	Berenstein	D9/300
D310,022 S	*	8/1990	Anderson	D9/300
D347,165 S	*	5/1994	Schneider	D9/300
D351,337 S	*	10/1994	Bonnema et al.	D9/300
D427,899 S	*	7/2000	Bougamont et al.	D9/300

OTHER PUBLICATIONS

2 pages from a catalog published by Pfeiffer Vaporisateurs S.A.R.L., France, 2000.

* cited by examiner

Primary Examiner—Paula A. Mortimer

(74) *Attorney, Agent, or Firm*—Akerman Senterfitt

(57) **CLAIM**

The ornamental design for a pump for liquid media, as shown and described.

DESCRIPTION

FIG. 1: is a side perspective view of a pump for liquid media showing our new design;

FIG. 2: is another side perspective view of the pump shown in FIG. 1, whereas the actuation button is in the pressed position;

FIG. 3: is a side elevation view of the pump in FIG. 1 (the opposite side being a mirror image);

FIG. 4: is a top plan view of the pump in FIG. 1;

FIG. 5: is a front elevation view of the pump in FIG. 1;

FIG. 6: is a bottom plan view of the pump in FIG. 1;

FIG. 7 is a side perspective view of a second embodiment of a pump for liquid media as in FIG. 1 the difference being some parts shown in broken lines;

FIG. 8: is a another side perspective view of the pump in FIG. 7, whereas the actuation button is in the pressed position;

FIG. 9: is a side elevation view of the pump in FIG. 7 (the opposite side being a mirror image);

FIG. 10: is a top plan view of the pump in FIG. 7;

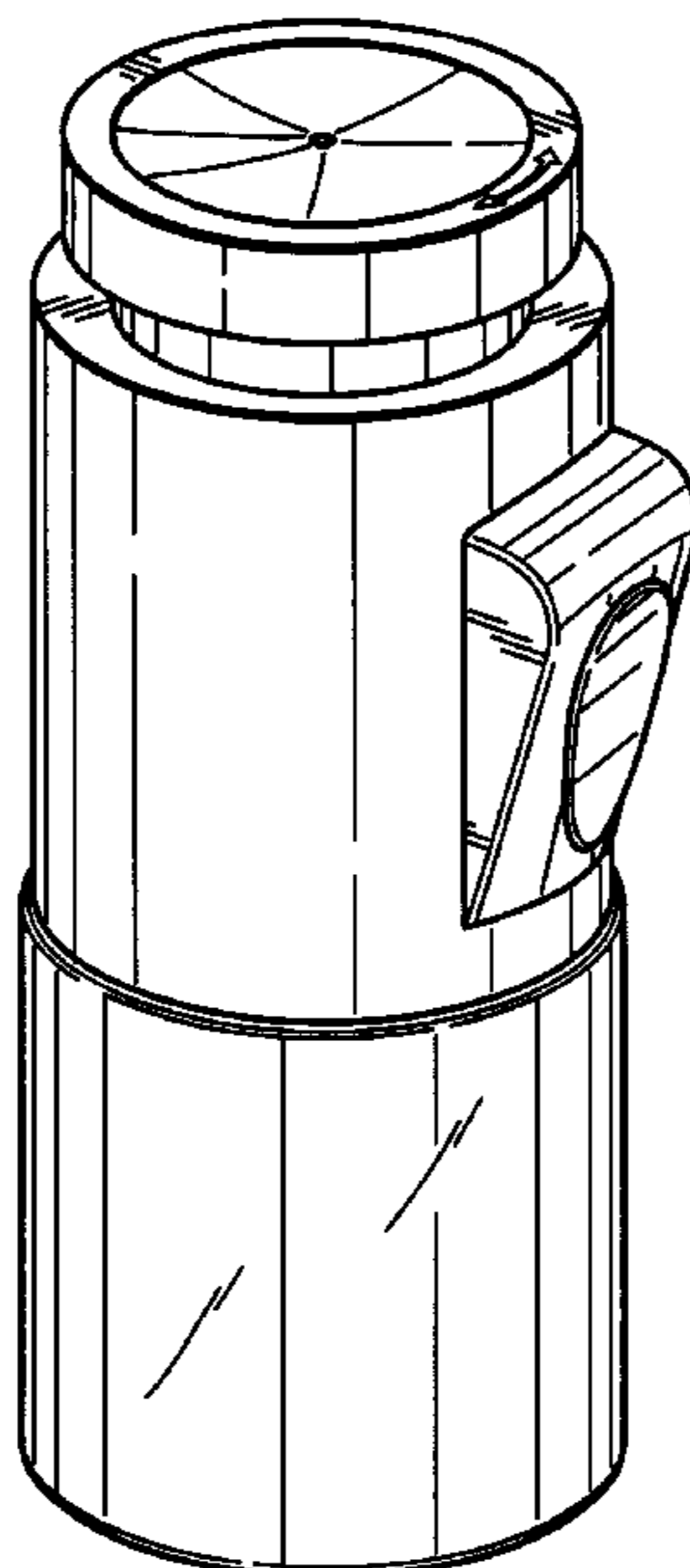
FIG. 11: is a front elevation view of the pump in FIG. 7;

FIG. 12: is a bottom plan view of the pump in FIG. 7; and,

FIG. 13: is a back elevation view of the pump for liquid media.

The broken lines shown in these figures are for illustrative purposes only and form no part of the claimed design.

1 Claim, 4 Drawing Sheets



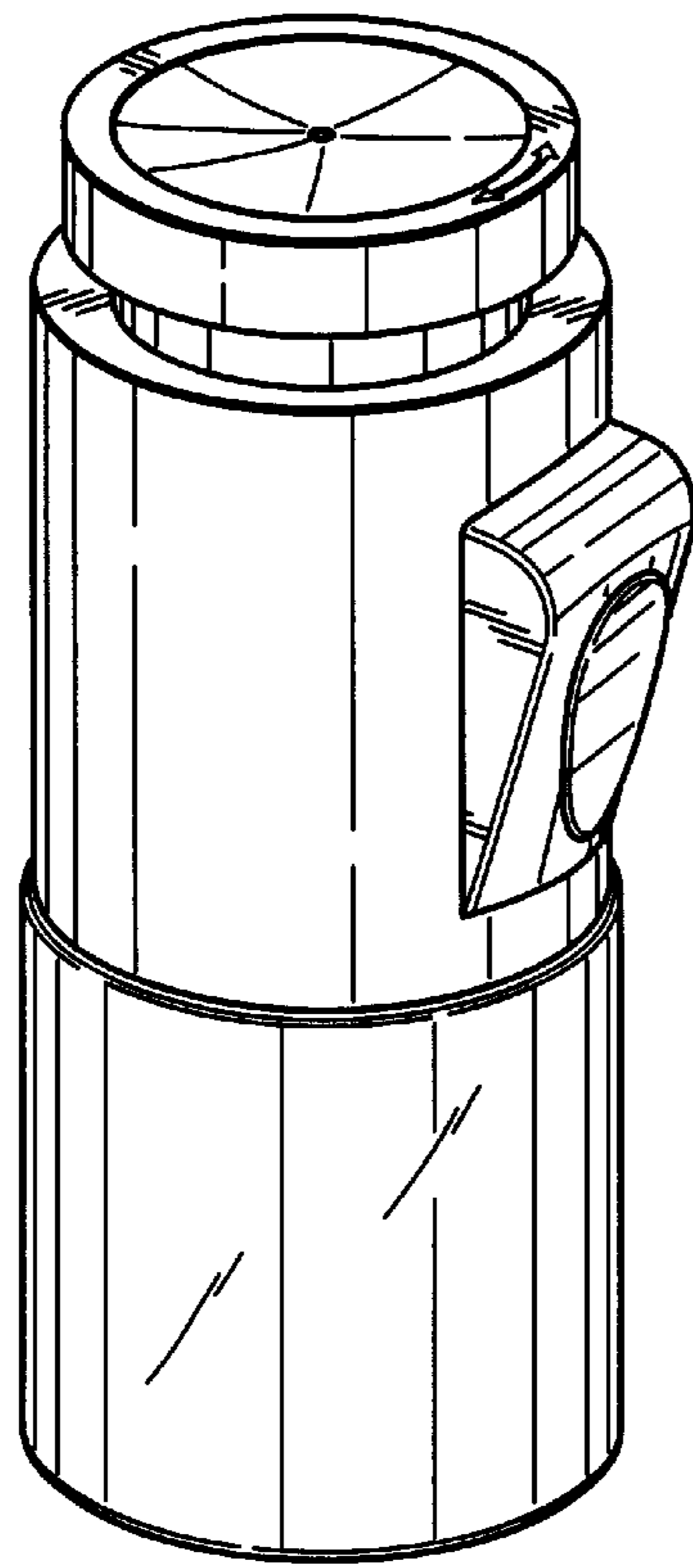


FIG. 1

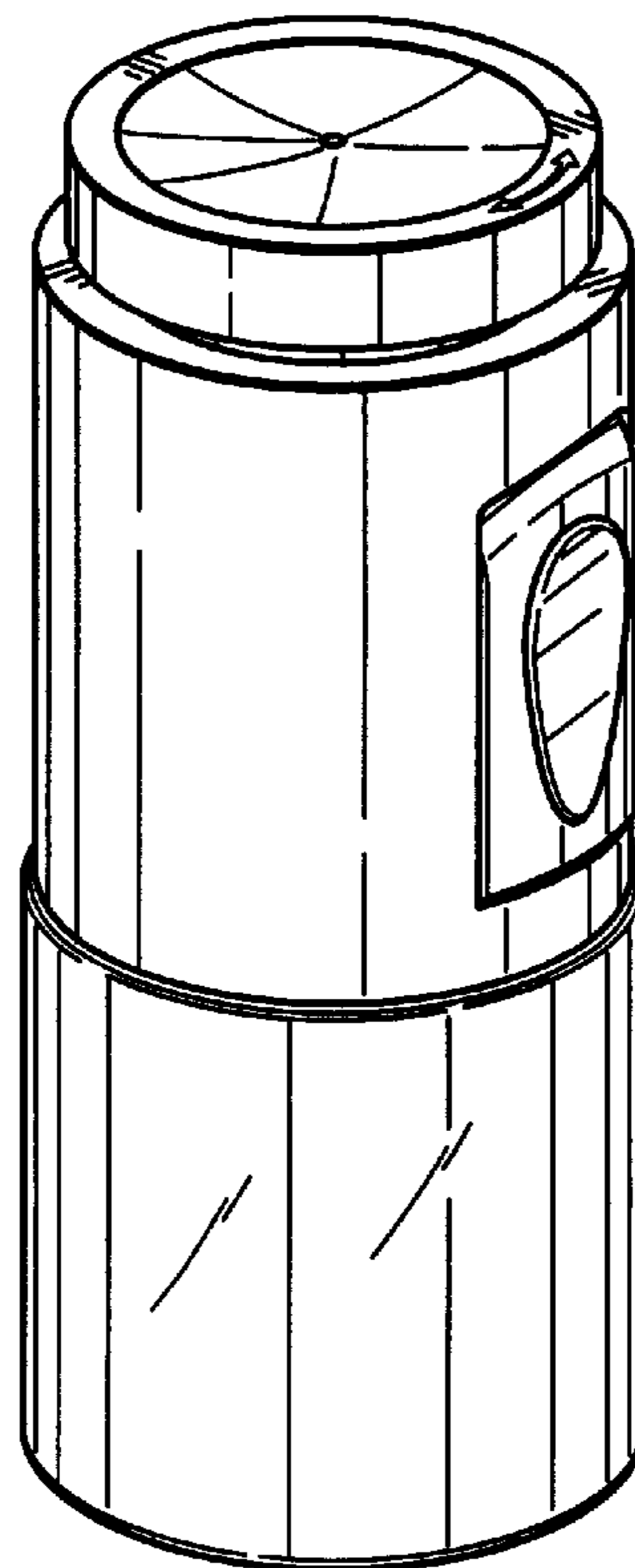


FIG. 2

FIG. 4

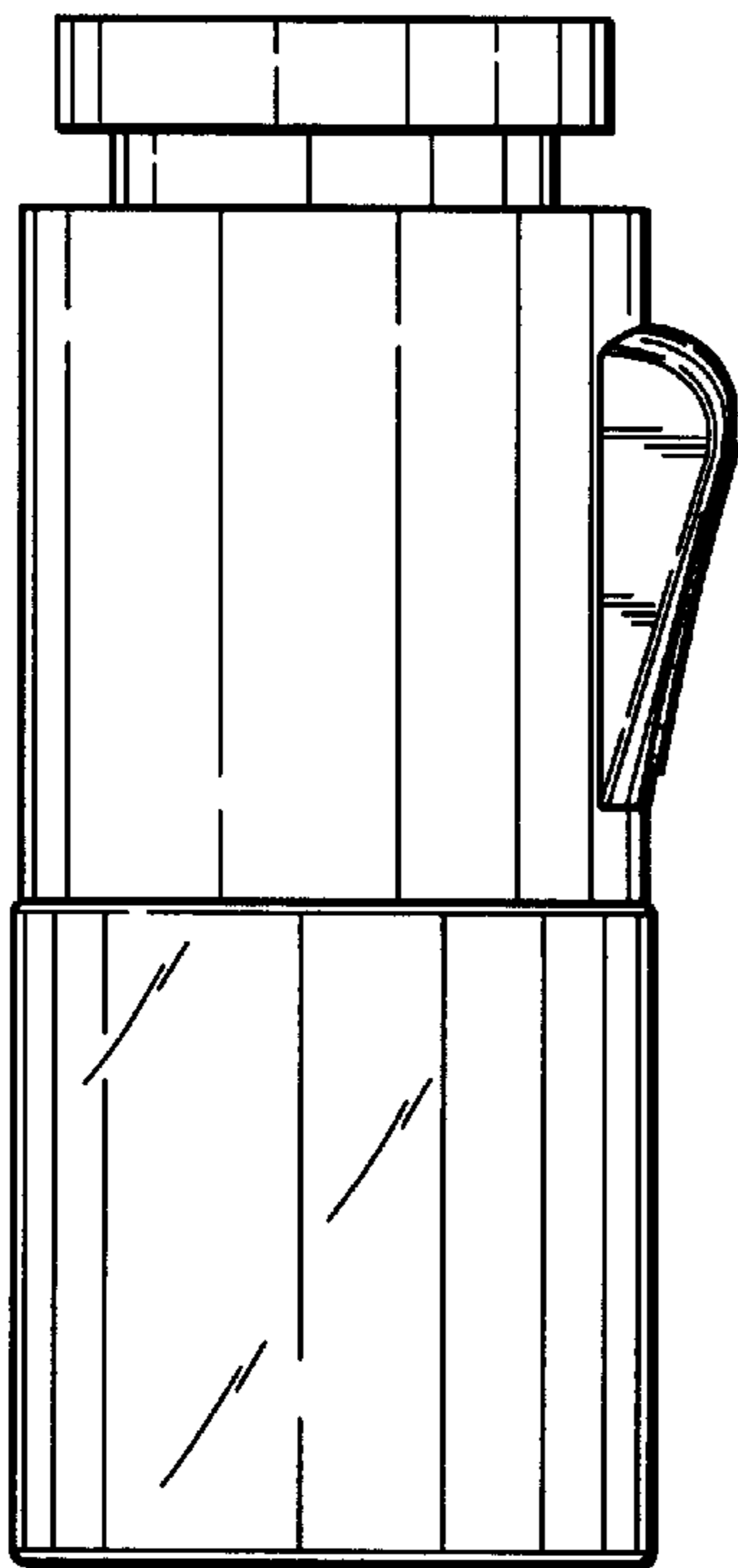
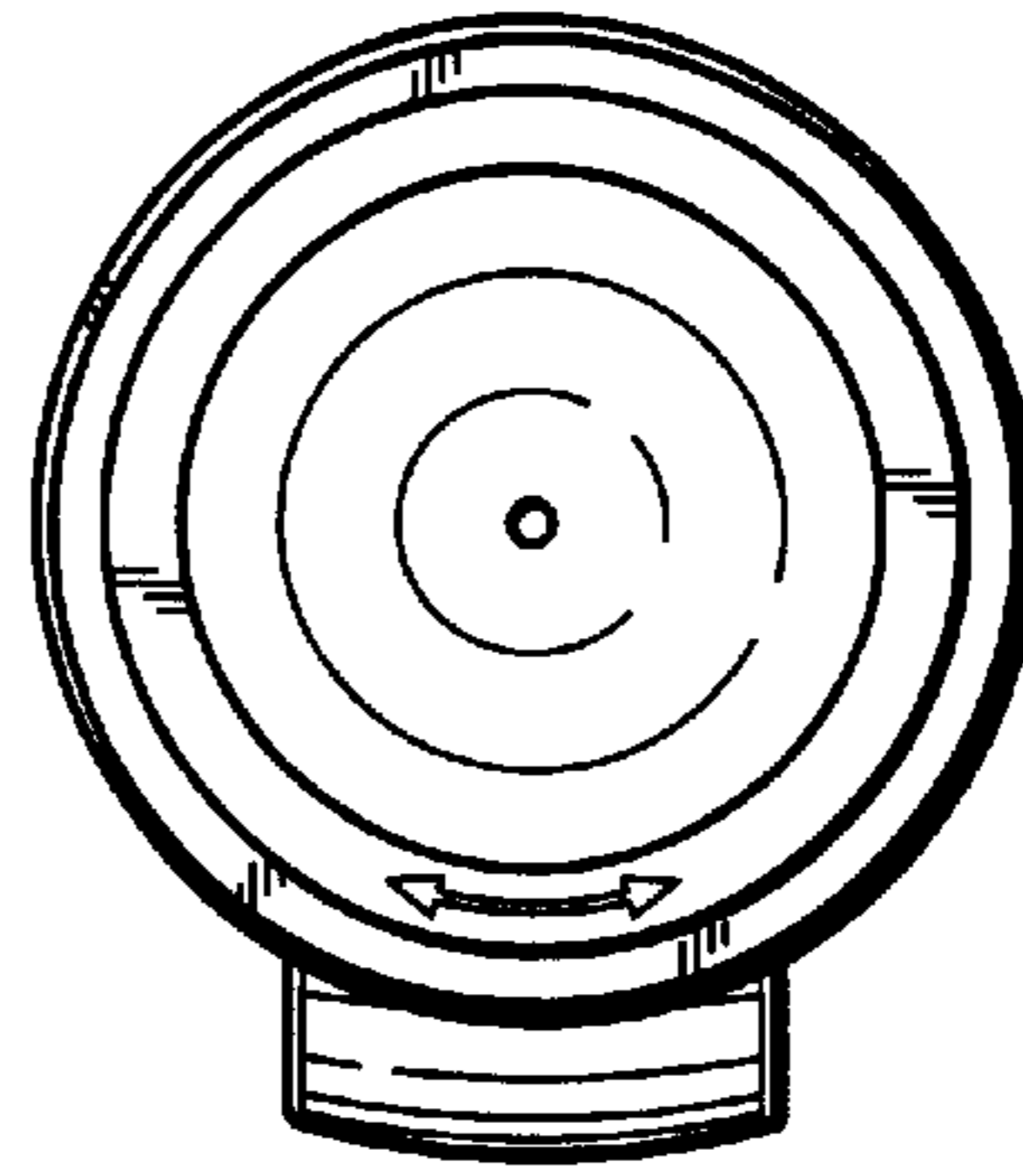


FIG. 3

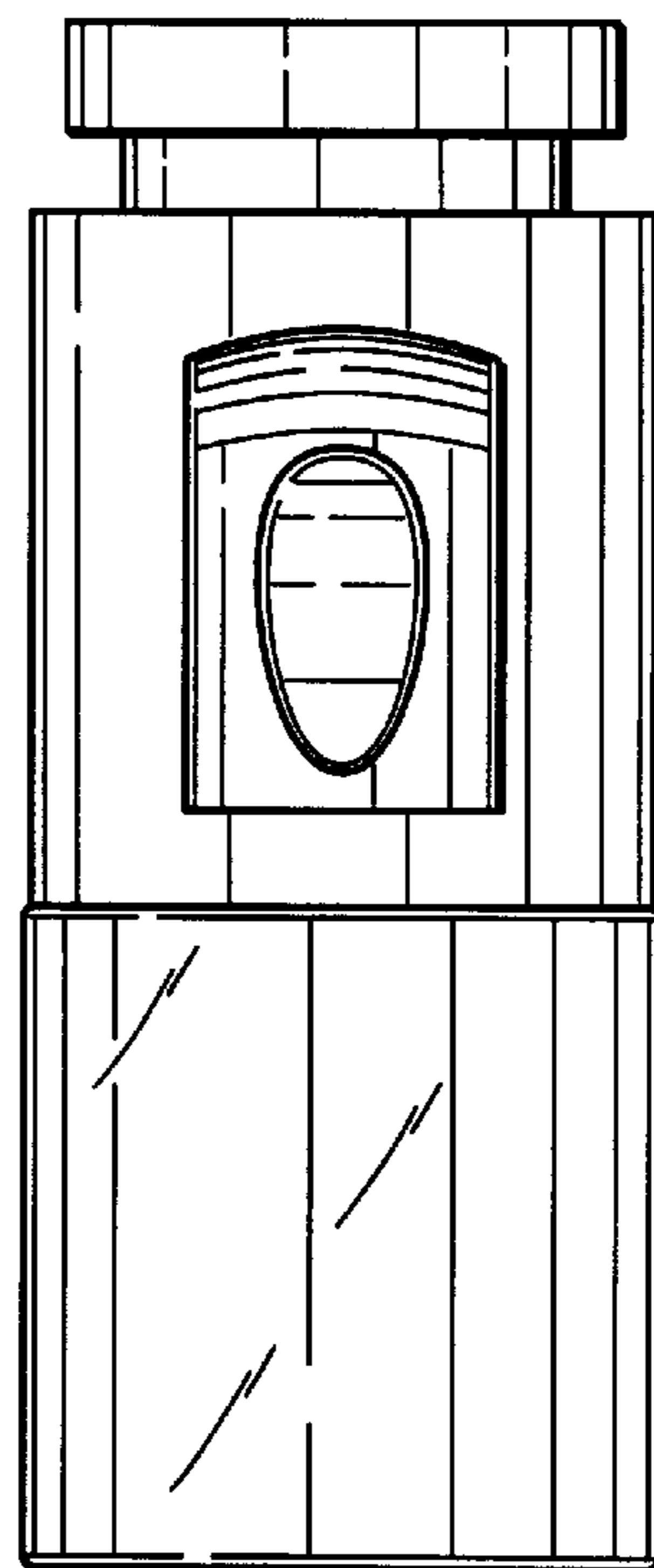


FIG. 5

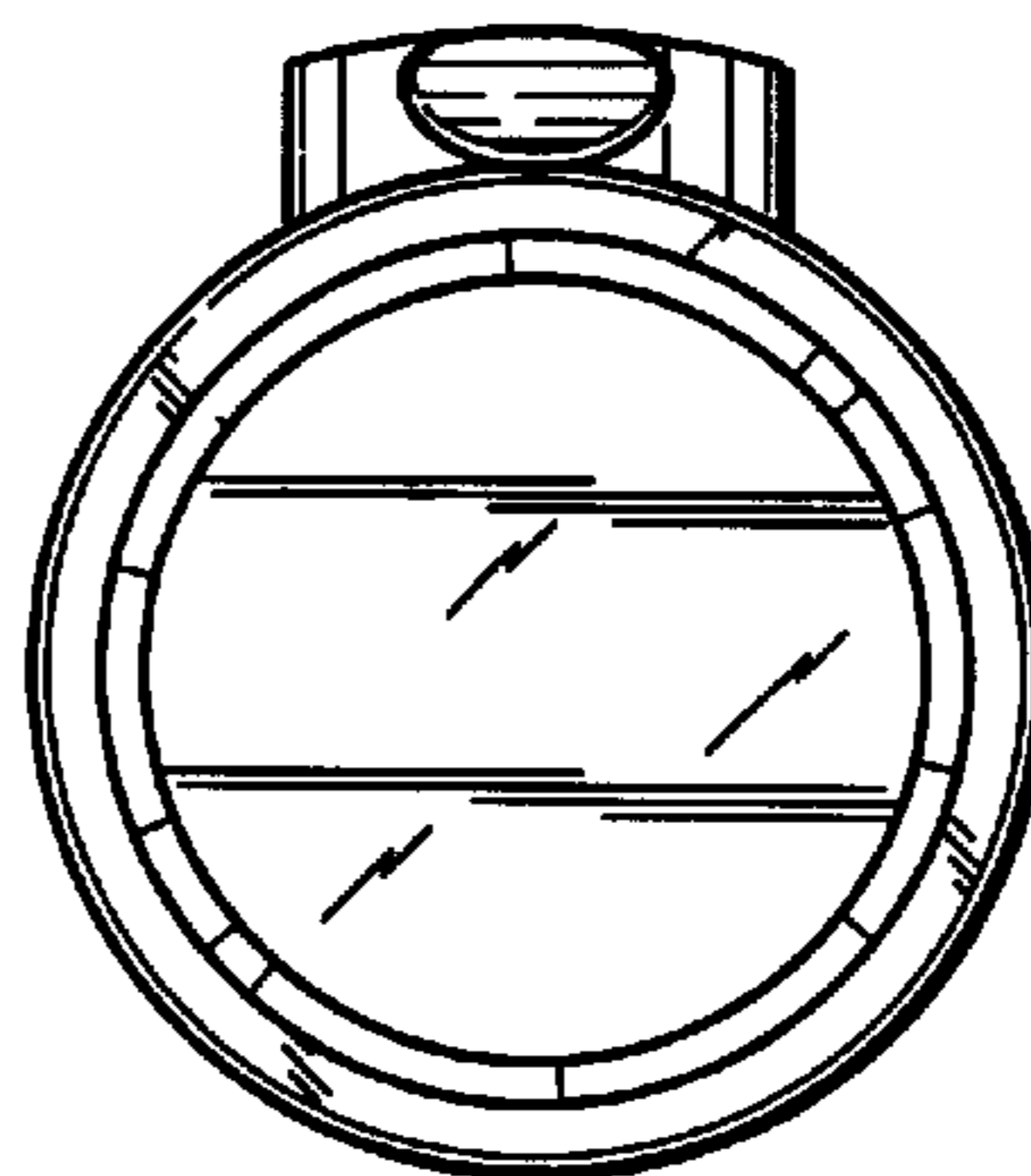


FIG. 6

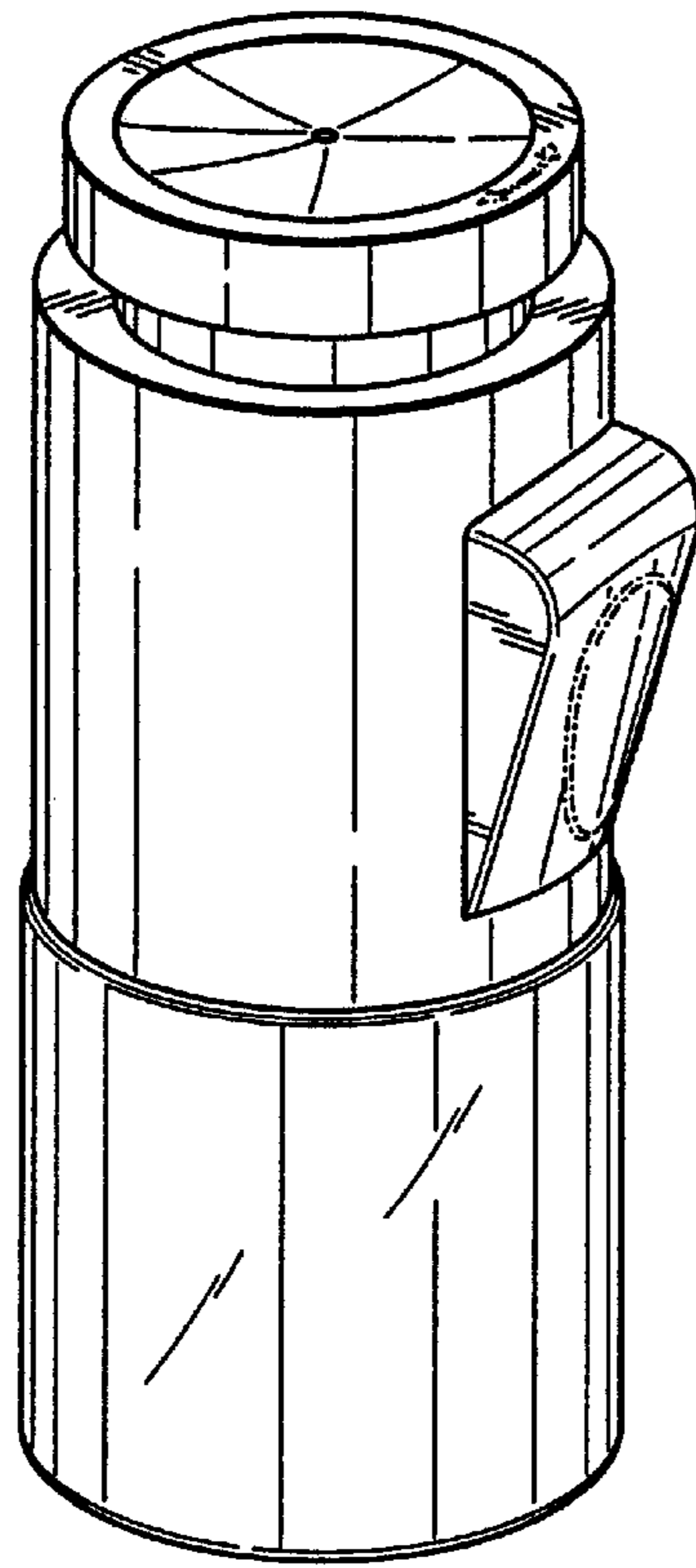


FIG. 7

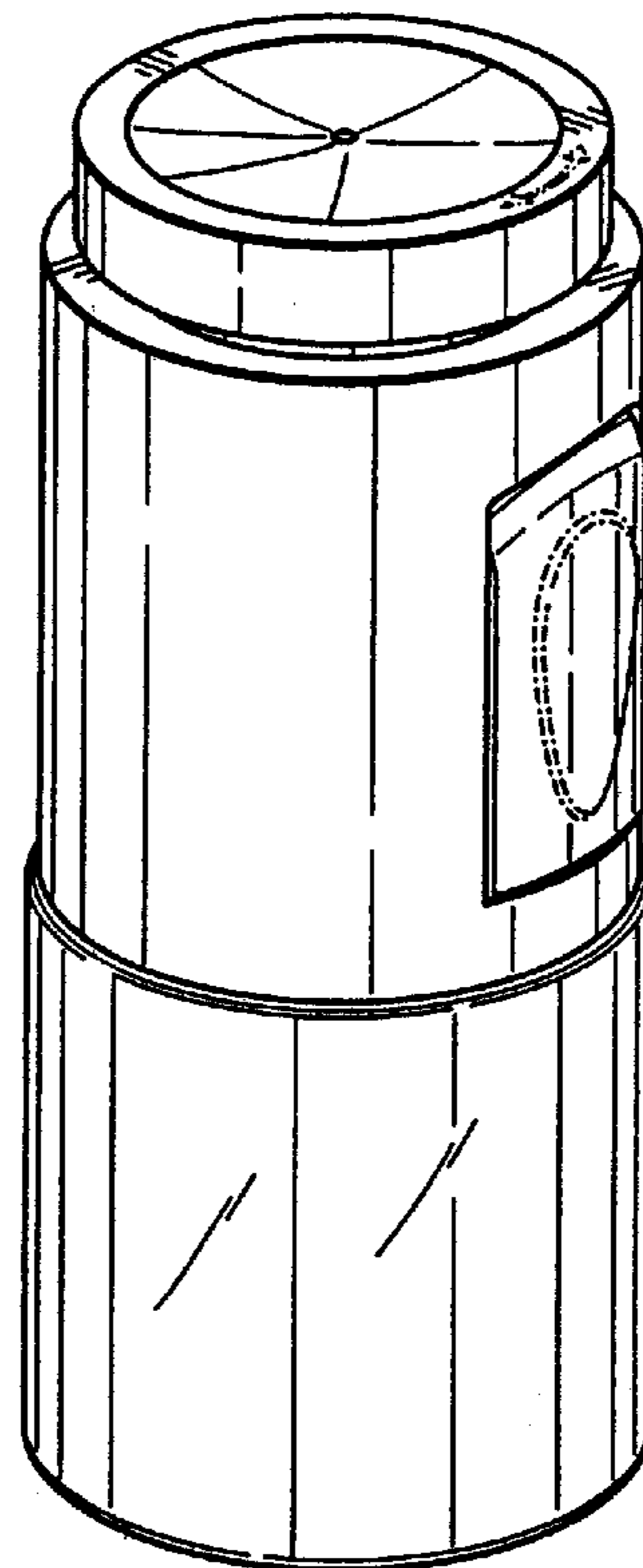


FIG. 8

FIG. 10

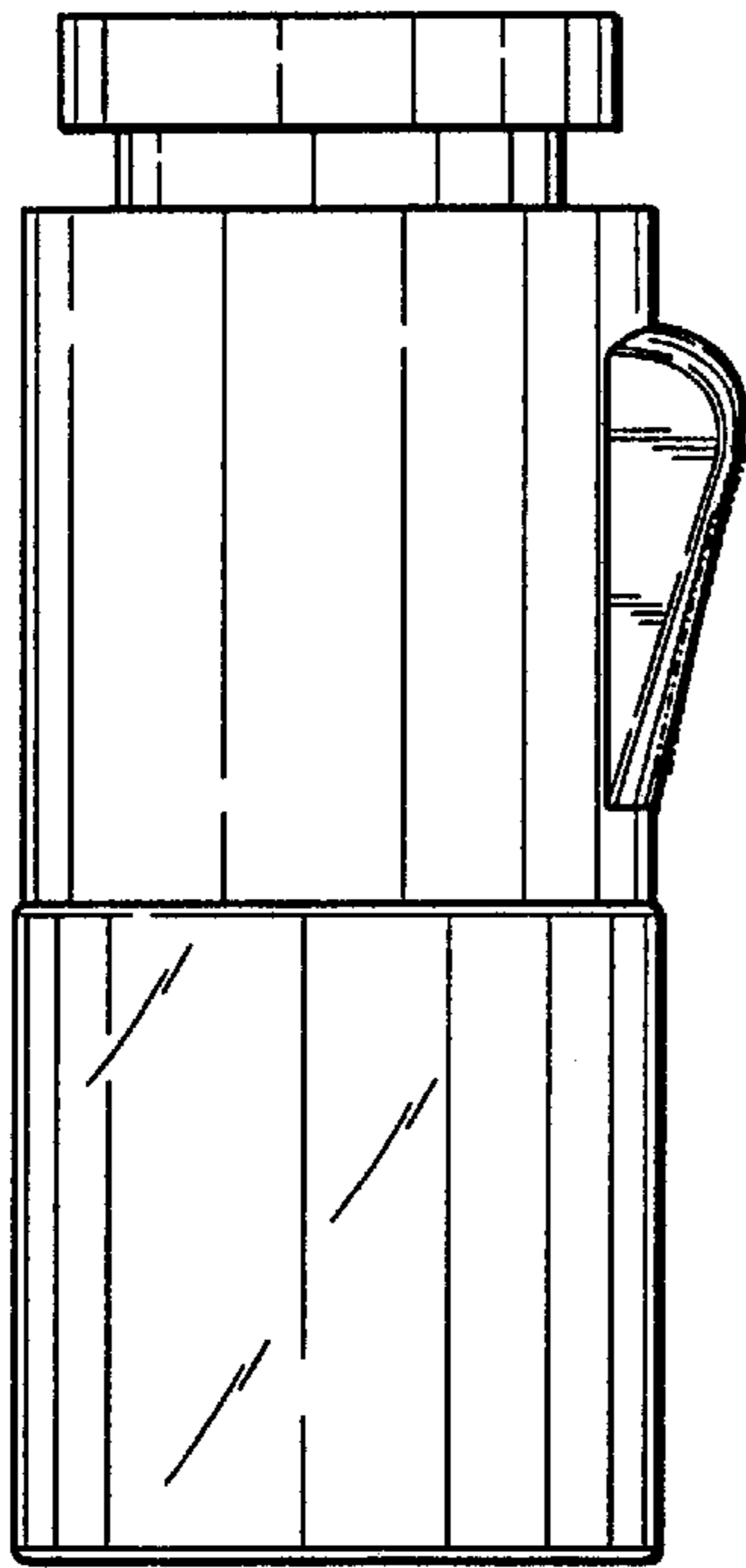
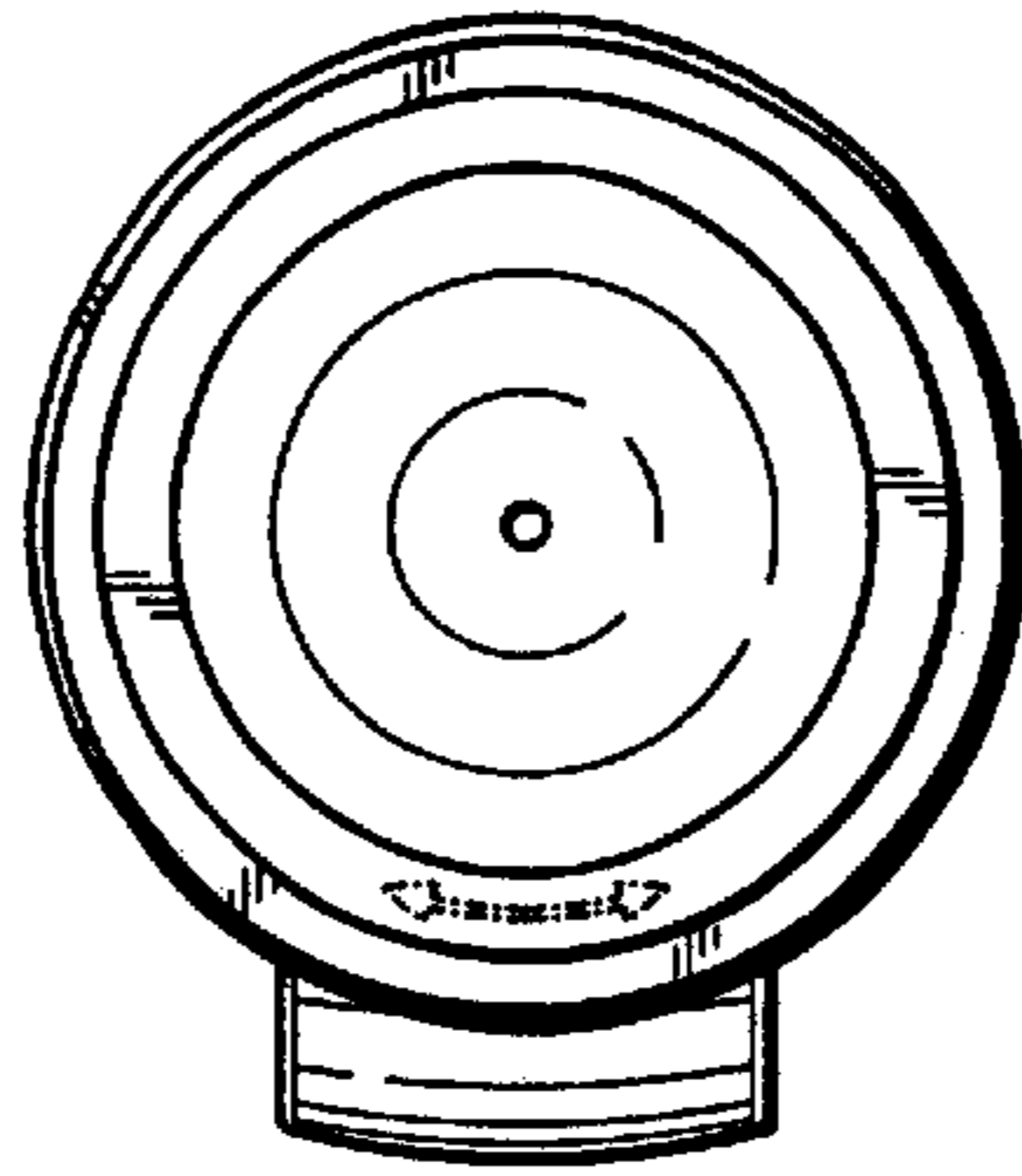


FIG. 9

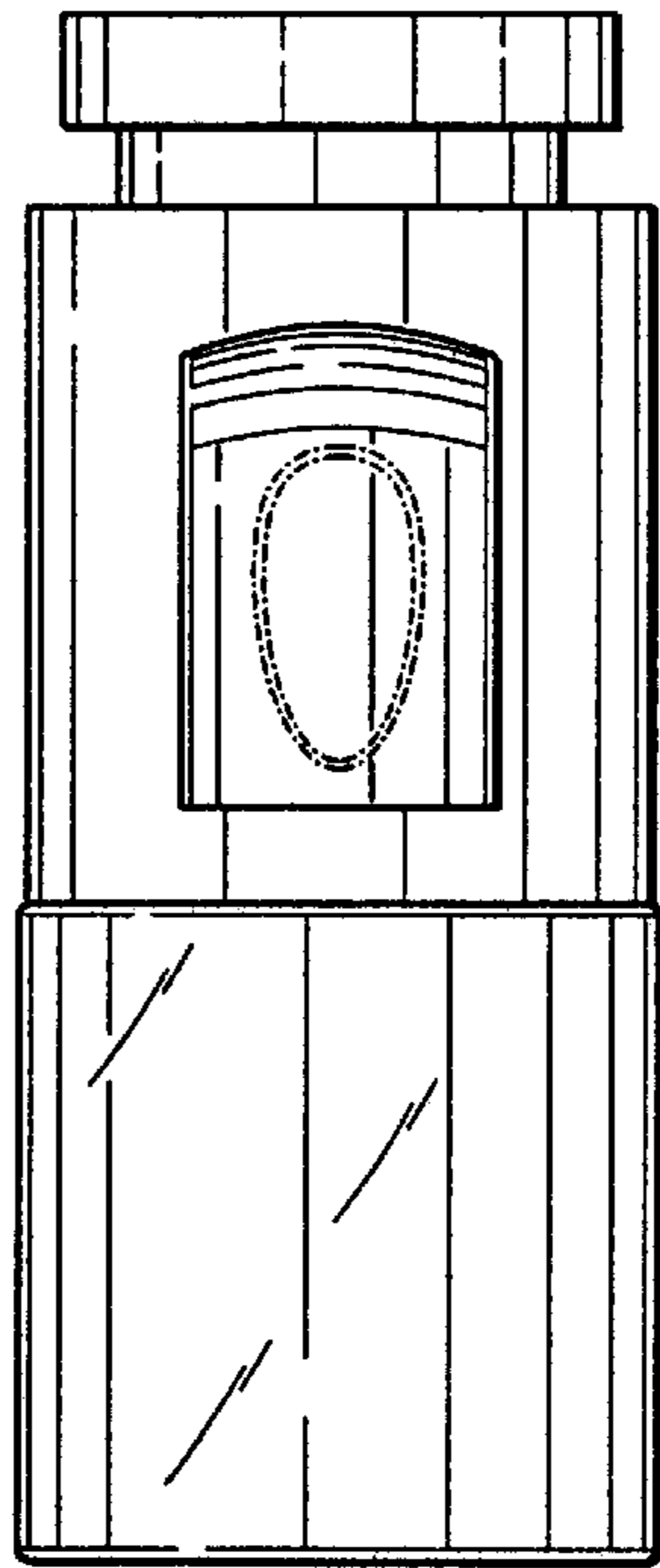


FIG. 11

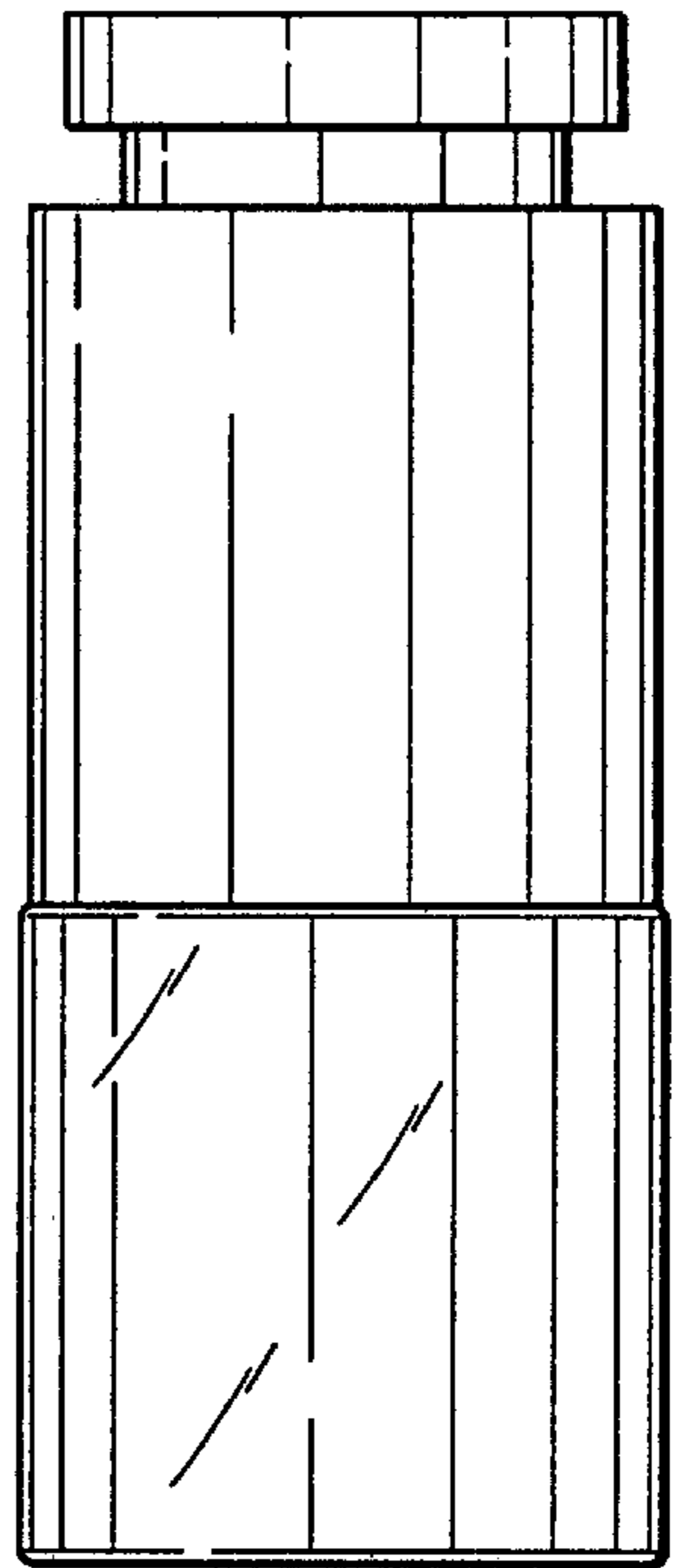


FIG. 13

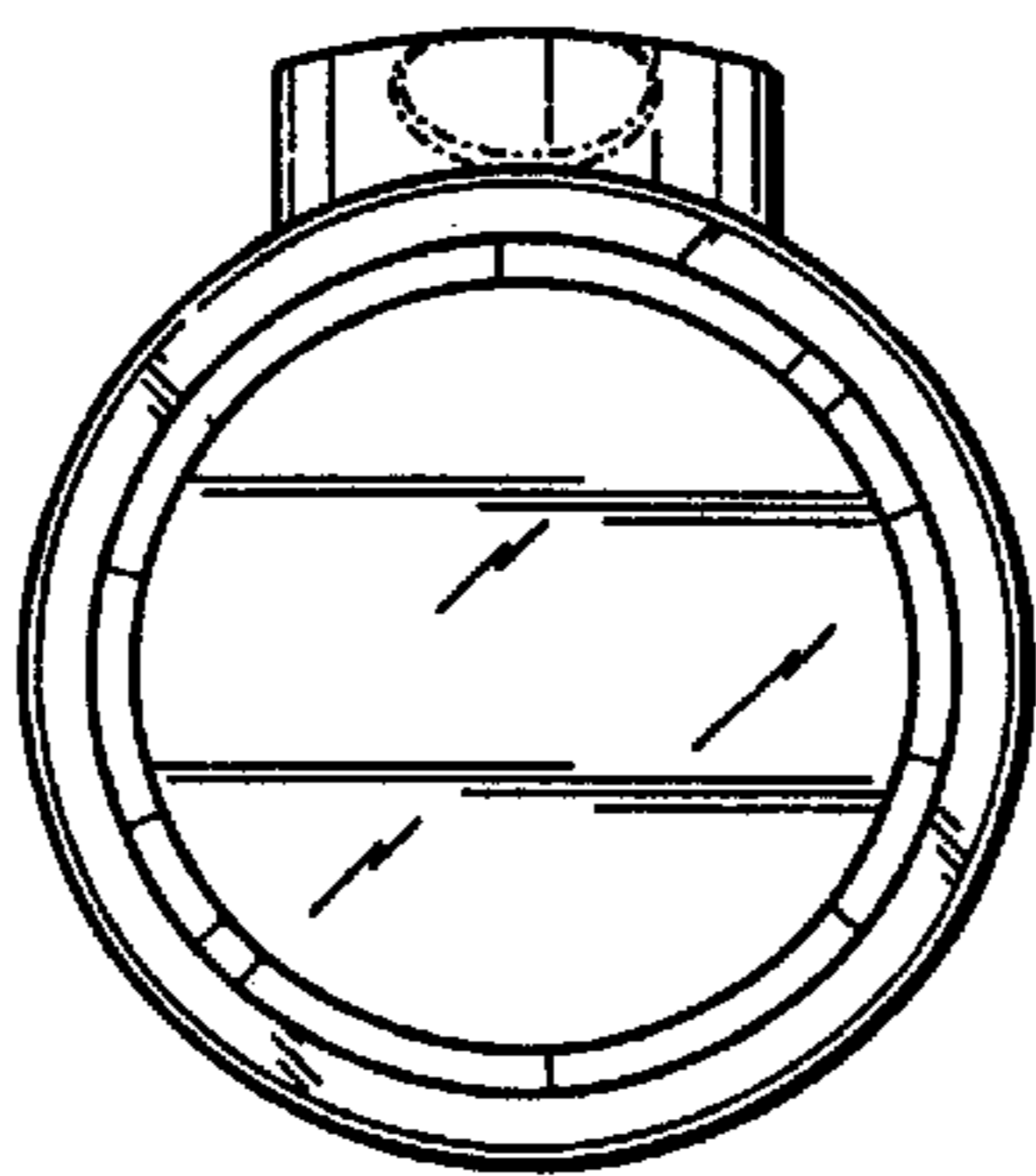


FIG. 12