



US00D471794S

(12) **United States Design Patent**
Wall

(10) **Patent No.:** **US D471,794 S**

(45) **Date of Patent:** **** Mar. 18, 2003**

(54) **CONNECTION ELEMENT FOR SHEET PILES**

(76) **Inventor:** **Georg Wall**, Hans-Graessel-Weg 20,
D-81375 Munich (DE)

(**) **Term:** **14 Years**

(21) **Appl. No.:** **29/157,390**

(22) **Filed:** **Mar. 15, 2002**

(30) **Foreign Application Priority Data**

Sep. 17, 2001 (DE) 401 08 475

(51) **LOC (7) Cl.** **08-08**

(52) **U.S. Cl.** **D8/382; D25/119**

(58) **Field of Search** D8/382, 394, 395,
D8/499; D25/119; 403/DIG. 10, 357, 363,
381; 52/579; 248/74.1; 24/67.9, 336, 455,
457, 459, 485, 488, 531, 545, 546, 547,
555, 563, 716, 907, DIG. 9, DIG. 28

(56) **References Cited**

U.S. PATENT DOCUMENTS

3,225,407 A * 12/1965 Daniels 24/457

D252,668 S * 8/1979 Rudinski D25/119
4,521,035 A * 6/1985 Berezowsky 24/555
D283,352 S * 4/1986 Bancroft D25/119
D379,299 S * 5/1997 Fitzgibbons D25/119
6,042,306 A * 3/2000 Arndts et al. 405/278
6,092,346 A * 7/2000 Even et al. 403/363
6,305,111 B1 * 10/2001 Opdahl 403/319
6,428,244 B1 * 8/2002 Wall 403/348

* cited by examiner

Primary Examiner—Alan P. Douglas

Assistant Examiner—Clare E. Heflin

(74) *Attorney, Agent, or Firm*—Milde & Hoffberg, LLP

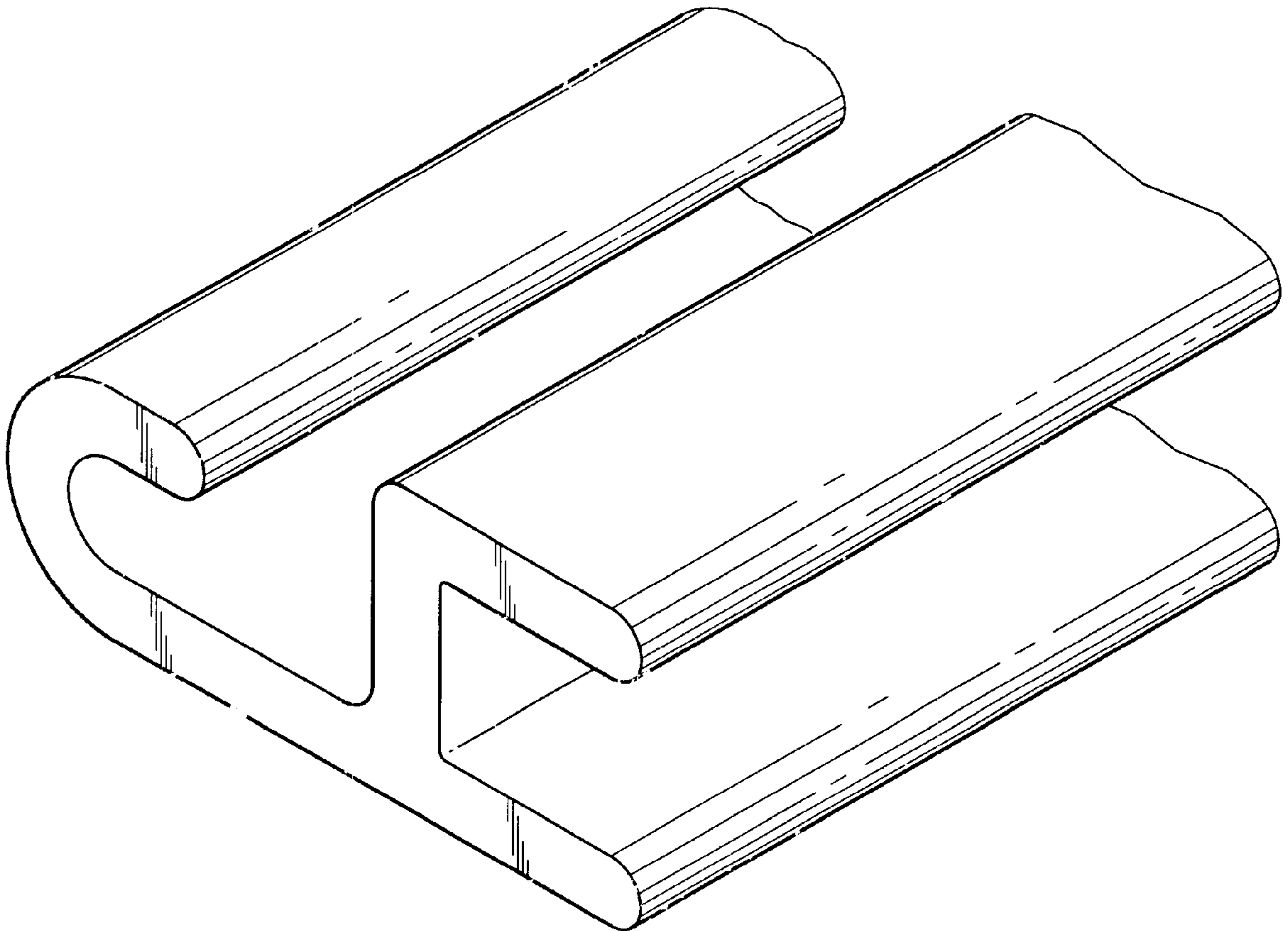
(57) **CLAIM**

The ornamental design for a connection element for sheet piles, as shown and described.

DESCRIPTION

FIG. 1 is a perspective view of the connection element for sheet piles according to my design; and, FIG. 2 is an end view of the connection element for sheet piles according to my design.

1 Claim, 2 Drawing Sheets



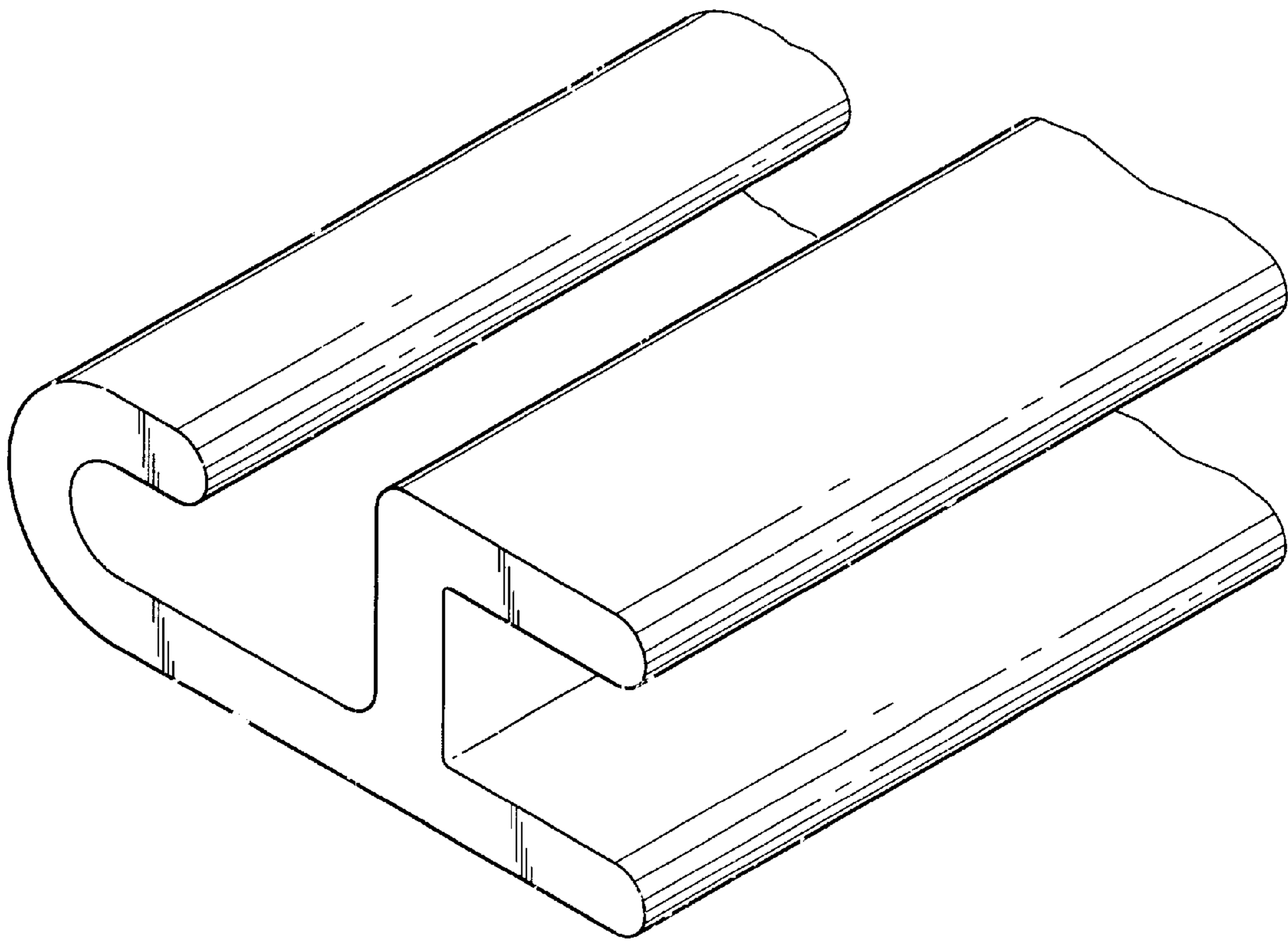


FIG. 1

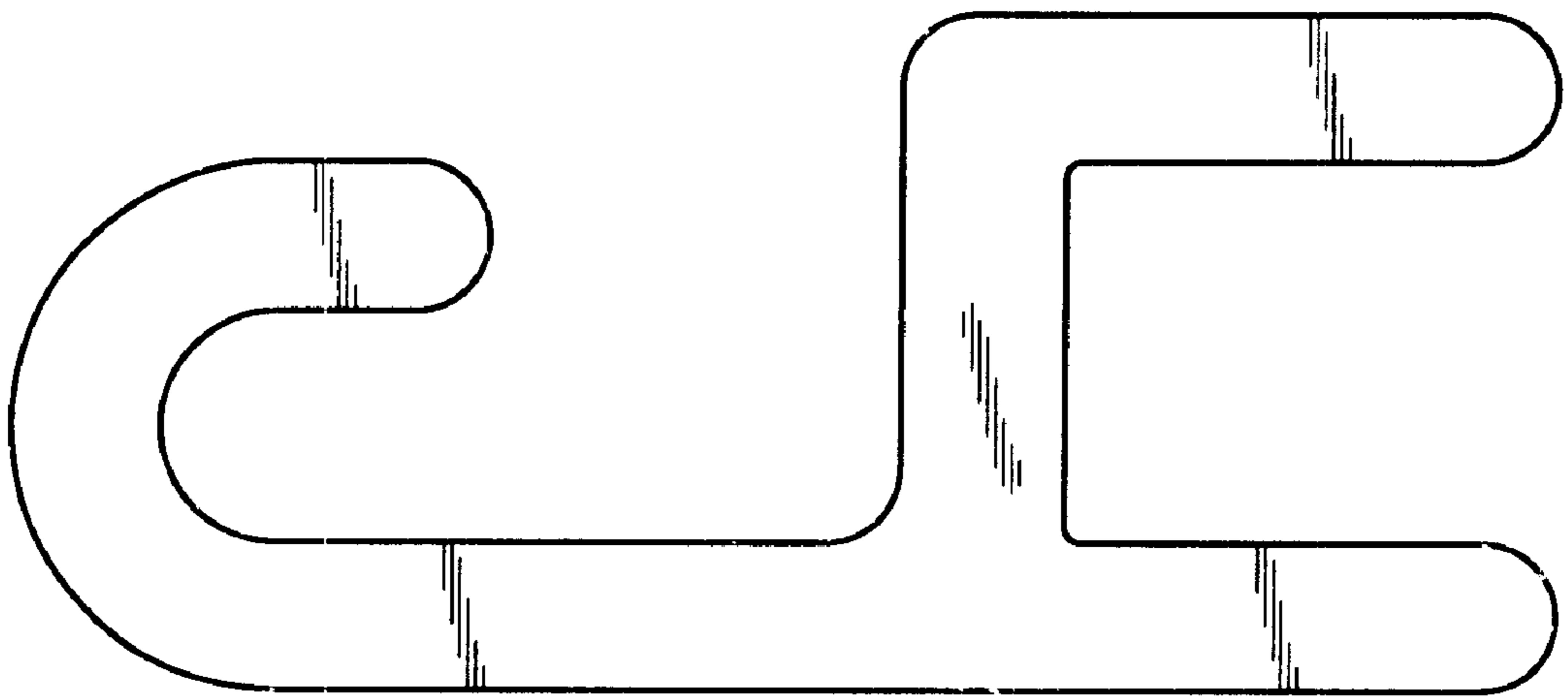


FIG. 2