



US00D471793S

(12) **United States Design Patent**
Wall

(10) **Patent No.:** **US D471,793 S**

(45) **Date of Patent:** **** Mar. 18, 2003**

(54) **CONNECTION ELEMENT FOR SHEET PILES**

(76) **Inventor:** **Georg Wall**, Hans-Graessel-Weg 20, D-81375 Munich (DE)

(**) **Term:** **14 Years**

(21) **Appl. No.:** **29/155,210**

(22) **Filed:** **Feb. 7, 2002**

(30) **Foreign Application Priority Data**

Aug. 23, 2001 (DE) 4 01 07 964

(51) **LOC (7) Cl.** **08-08**

(52) **U.S. Cl.** **D8/382; D25/119**

(58) **Field of Search** D8/382, 394, 395, D8/499; D25/119; 403/DIG. 10, 363, 357, 381; 405/70, 278, 279; 52/579; 248/74.1; 24/67.9, 336, 455, 457, 459, 485, 488, 531, 545, 546, 547, 555, 563, 716, 907, DIG. 9, DIG. 28

(56) **References Cited**

U.S. PATENT DOCUMENTS

1,171,281 A * 2/1916 Vandevort 405/281
3,225,407 A * 12/1965 Daniels 24/457
3,688,508 A * 9/1972 Taylor 405/278
5,292,208 A * 3/1994 Berger 405/274

6,042,306 A * 3/2000 Arndts et al. 405/278

6,092,346 A * 7/2000 Even et al. 403/363

6,282,762 B1 * 9/2001 Wall 24/346

6,428,244 B1 * 8/2002 Wall 403/348

6,443,664 B1 * 9/2002 Horan et al. 405/278

* cited by examiner

Primary Examiner—Alan P. Douglas

Assistant Examiner—Clare E. Heflin

(74) *Attorney, Agent, or Firm*—Milde & Hoffberg, LLP

(57) **CLAIM**

The ornamental design for a connection element for sheet piles, as shown and described.

DESCRIPTION

FIG. 1 is a perspective view of the connection element for sheet piles according to my design.

FIG. 2 is a left side view of the connection element for sheets pile of FIG. 1.

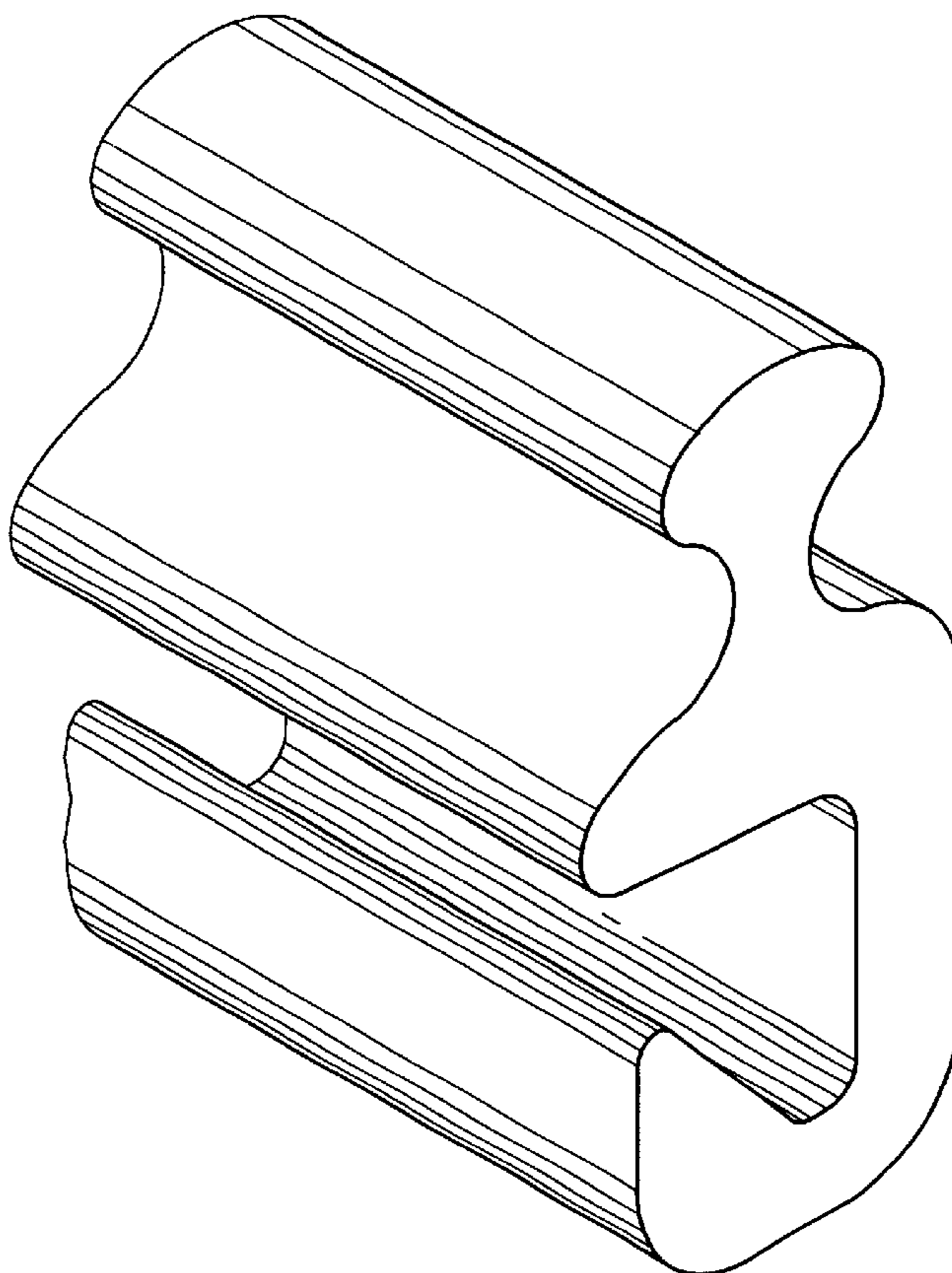
FIG. 3 is an end view of the connection element for sheet piles of FIG. 1.

FIG. 4 is a right side view of the connection element for sheet piles of FIG. 1.

FIG. 5 is a top view of the connection element for sheet piles of FIG. 1; and,

FIG. 6 is a bottom view of the connection element for sheet piles of FIG. 1.

1 Claim, 3 Drawing Sheets



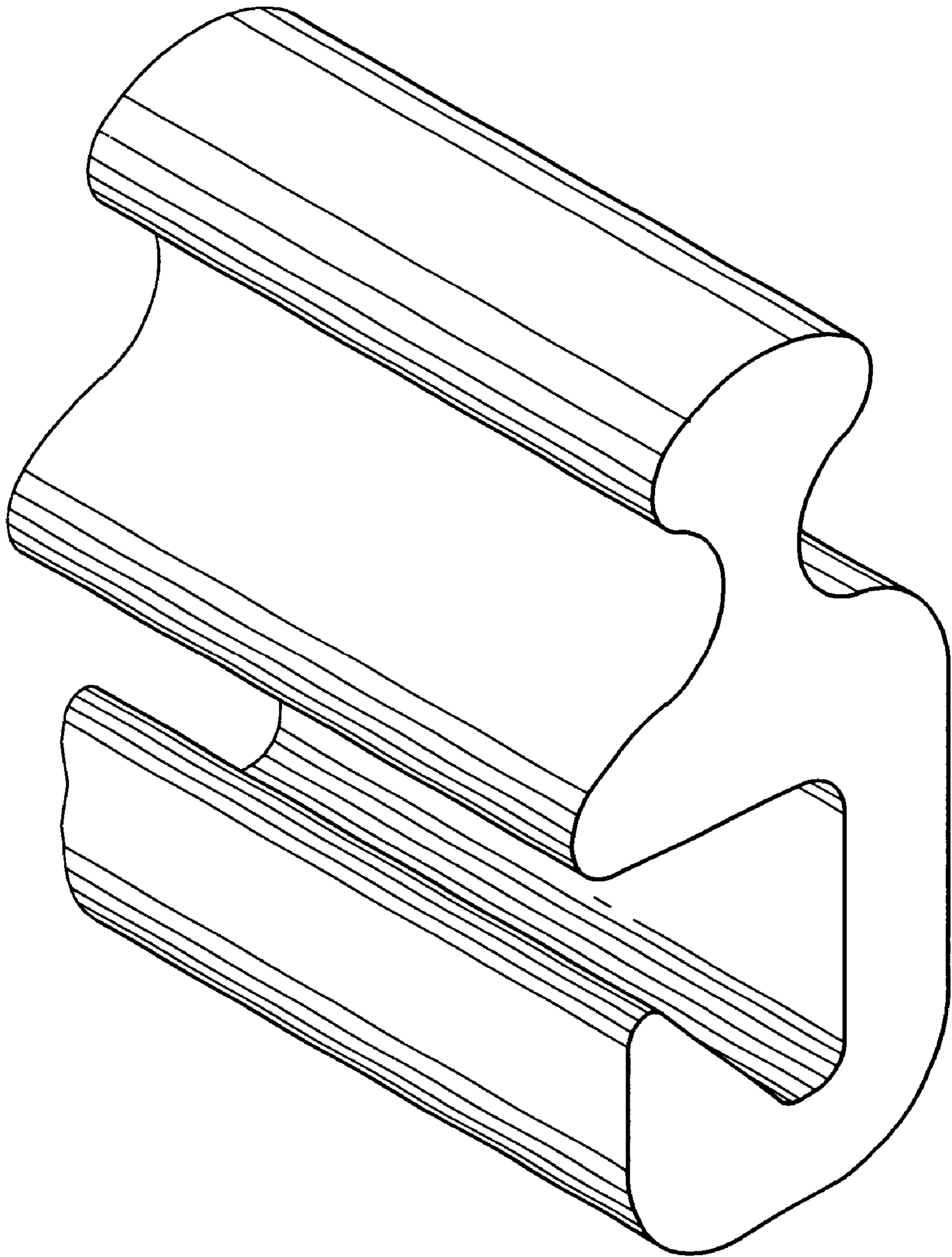


FIG.1

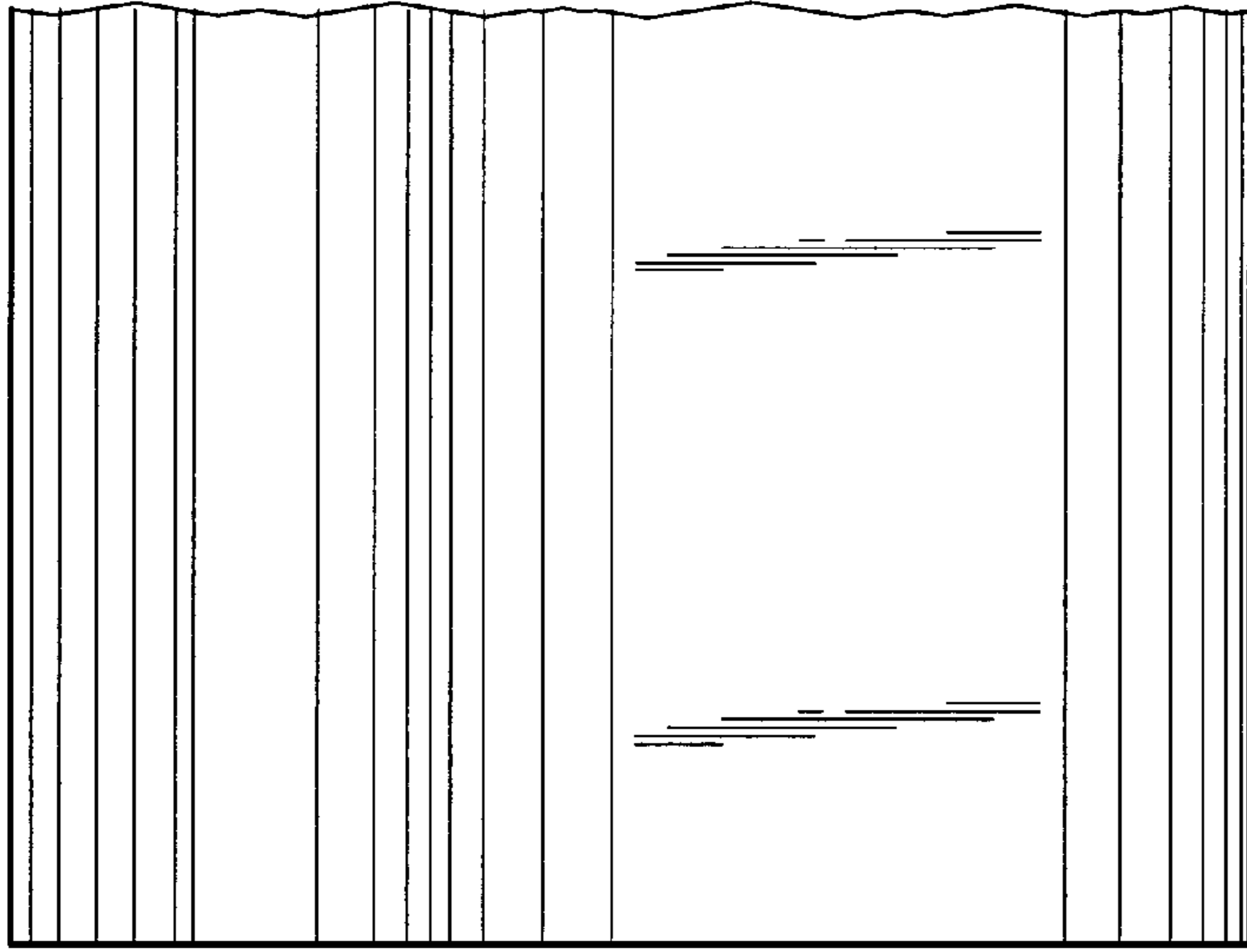


FIG.2

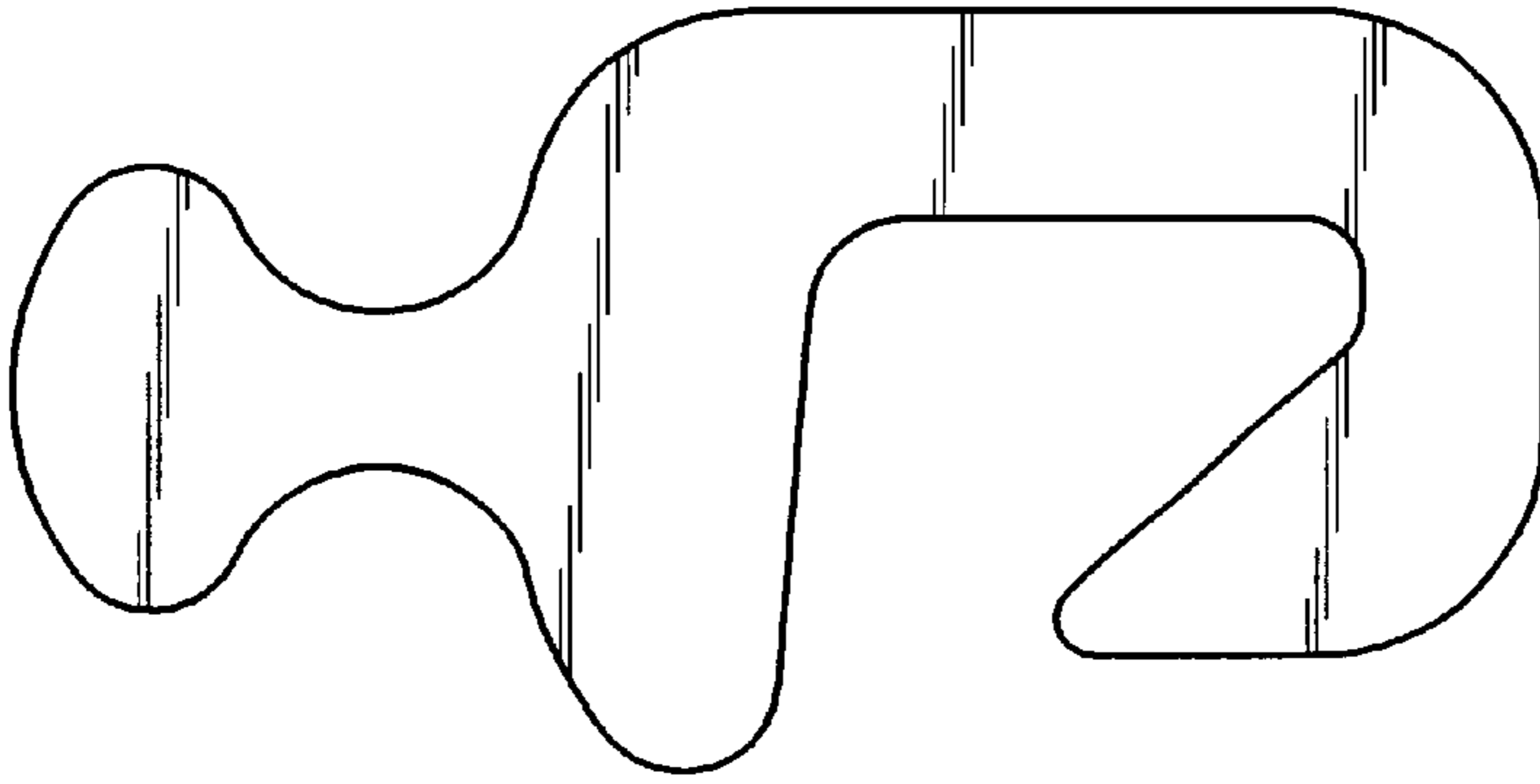


FIG.3

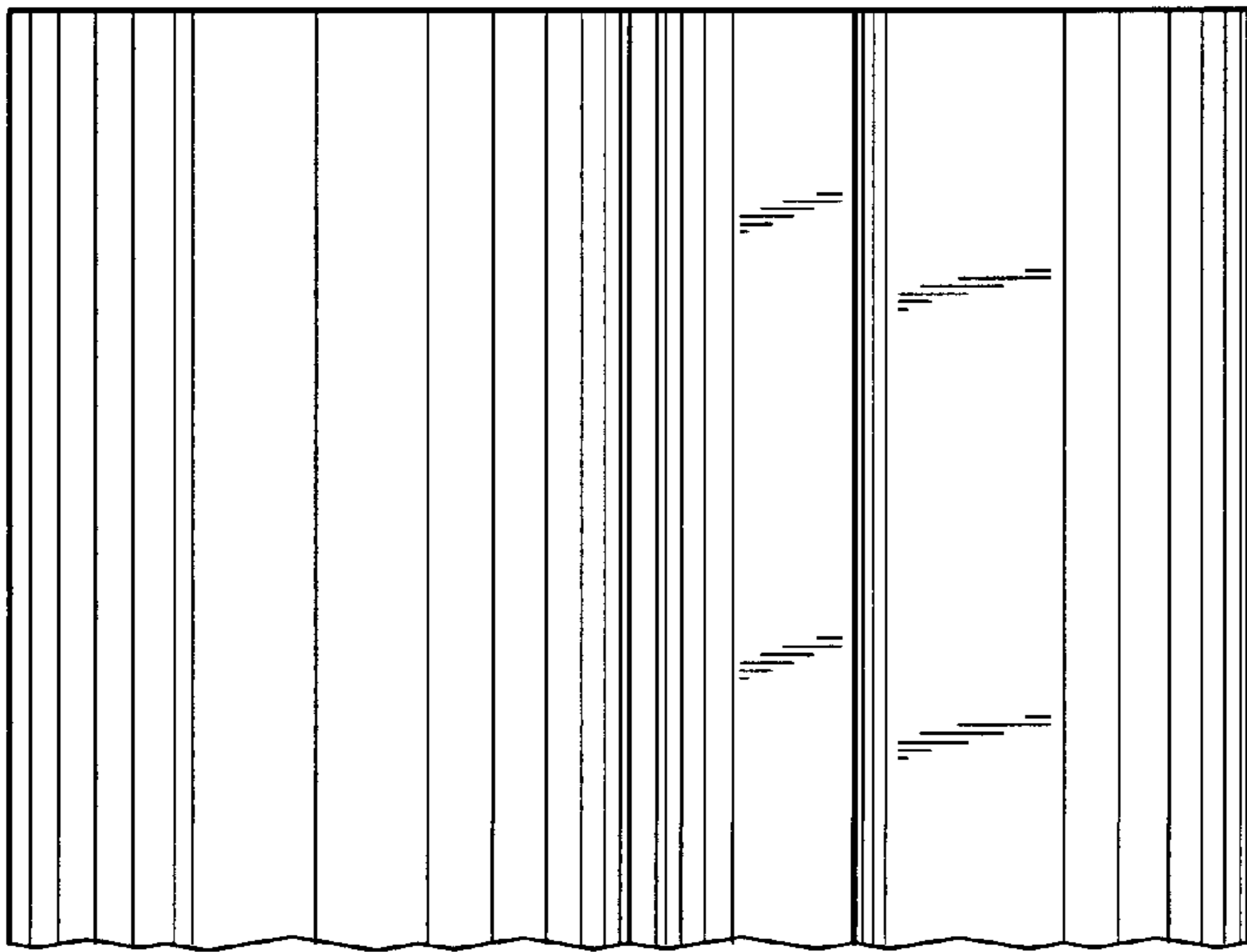


FIG.4

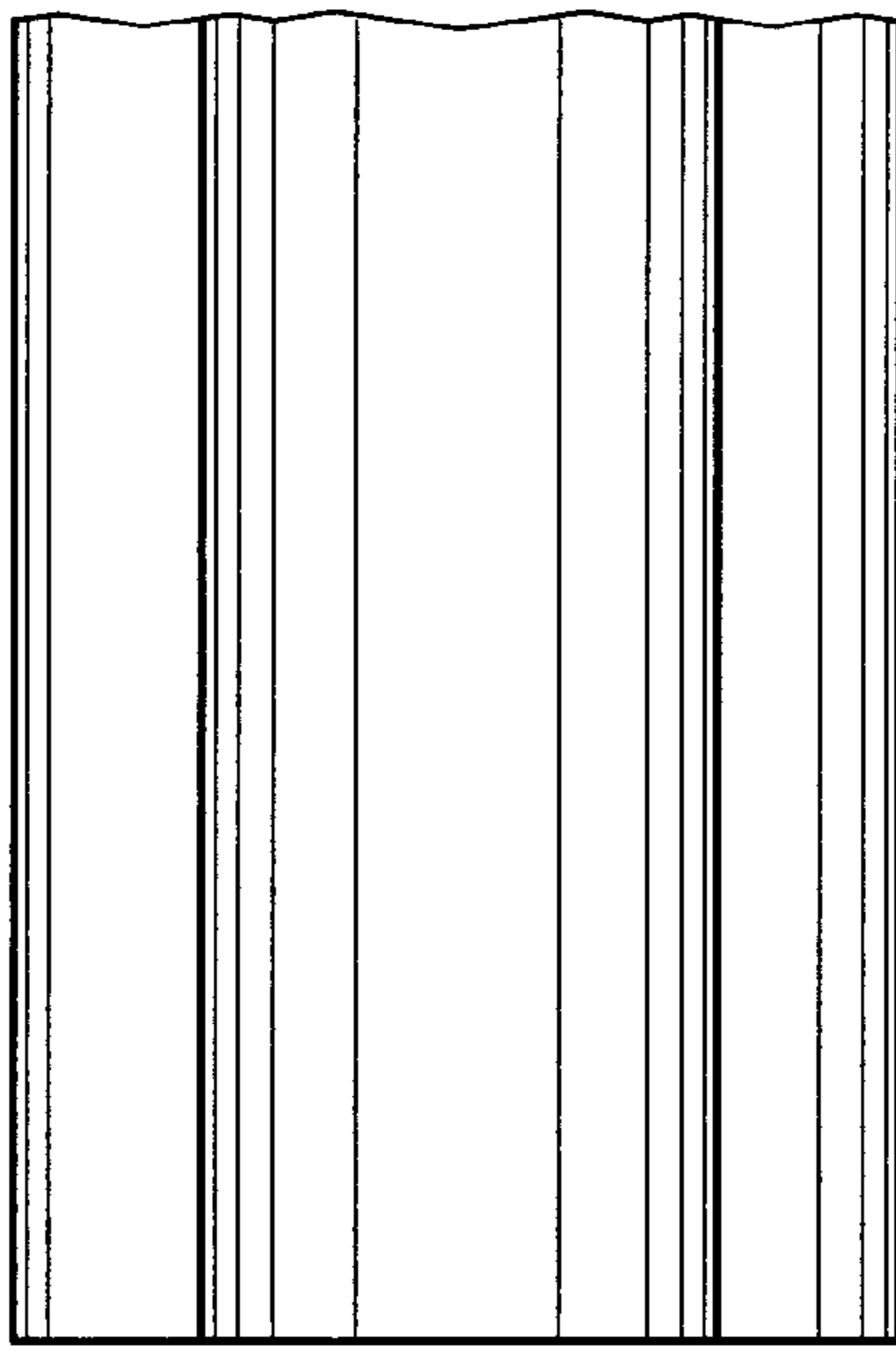


FIG. 5

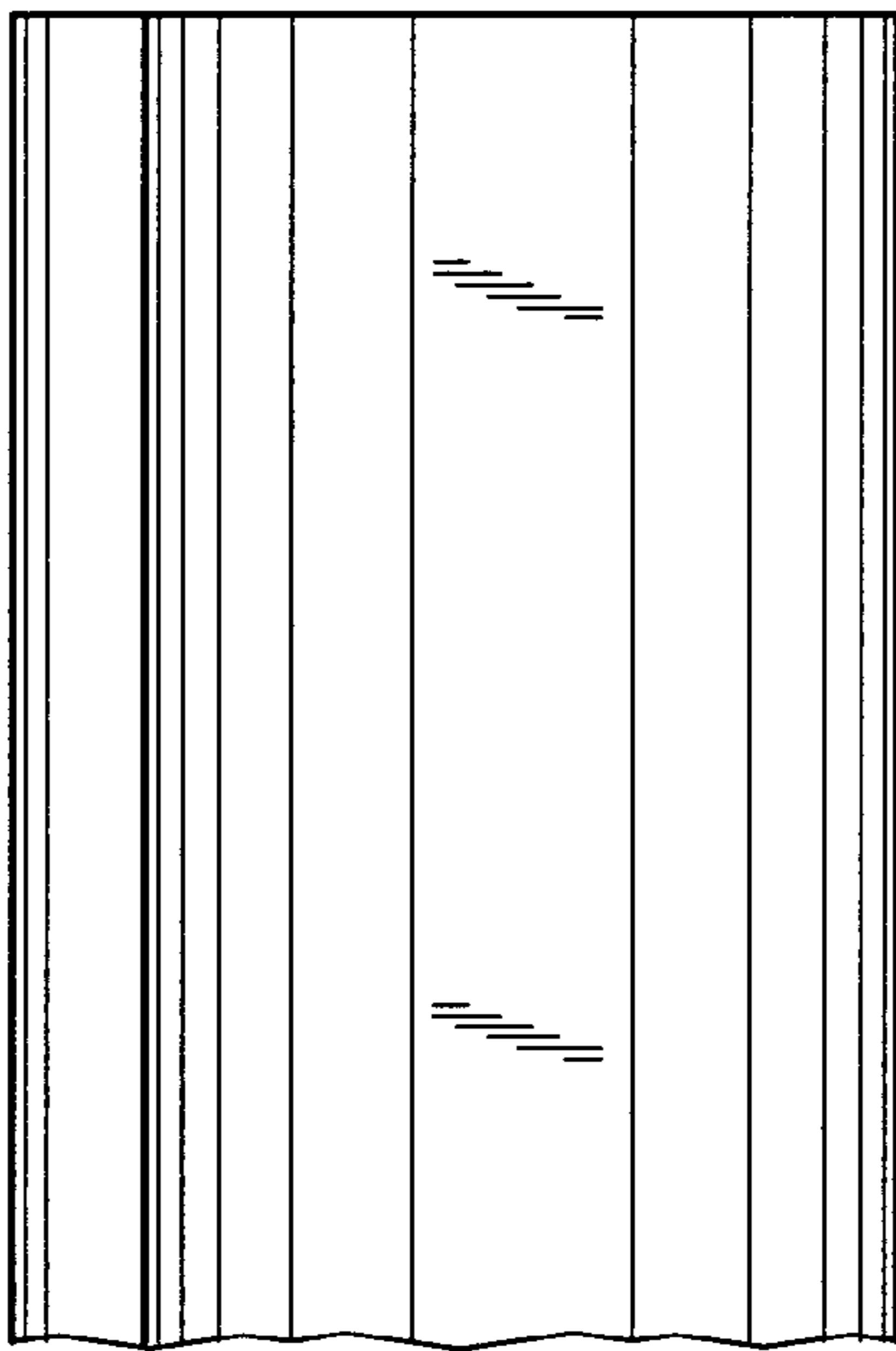


FIG. 6