



US00D471792S

(12) **United States Design Patent**
Hong

(10) **Patent No.:** **US D471,792 S**

(45) **Date of Patent:** **** Mar. 18, 2003**

(54) **FLAT WEBBING CHOKE**

(76) **Inventor:** **Steven Hong**, No. 39, 33 Road,
Tai-chung Industrial Park, Tai-Chung
City (TW)

(**) **Term:** **14 Years**

(21) **Appl. No.:** **29/150,029**

(22) **Filed:** **Oct. 31, 2001**

(51) **LOC (7) Cl.** **08-08**

(52) **U.S. Cl.** **D8/382**

(58) **Field of Search** D8/356, 394, 396,
D8/399, 382, 383; 294/82.1, 82.14, 82.17,
82.19, 82.2, 82.22; 24/598.7, 599.1, 599.2,
599.4, 600.9, 598.1, 598.4; D29/101, 124;
D3/328, 207

(56) **References Cited**

U.S. PATENT DOCUMENTS

3,083,431 A * 4/1963 Lewis 294/82.19

4,778,033 A * 10/1988 Gonzalez et al. D29/124
D304,976 S * 12/1989 Grossiord D3/207
D370,406 S * 6/1996 Tsai D8/382

* cited by examiner

Primary Examiner—Louis S. Zarfaz

Assistant Examiner—Deanne Levy

(74) *Attorney, Agent, or Firm*—Troxell Law Office PLLC

(57) **CLAIM**

The ornamental design for a flat webbing choke, as shown.

DESCRIPTION

FIG. 1 is a front view of a flat webbing choke showing my new design;

FIG. 2 is a rear view thereof;

FIG. 3 is a left view thereof;

FIG. 4 is a right view thereof;

FIG. 5 is a top view thereof;

FIG. 6 is a bottom view thereof; and,

FIG. 7 is an elevational view thereof.

1 Claim, 2 Drawing Sheets

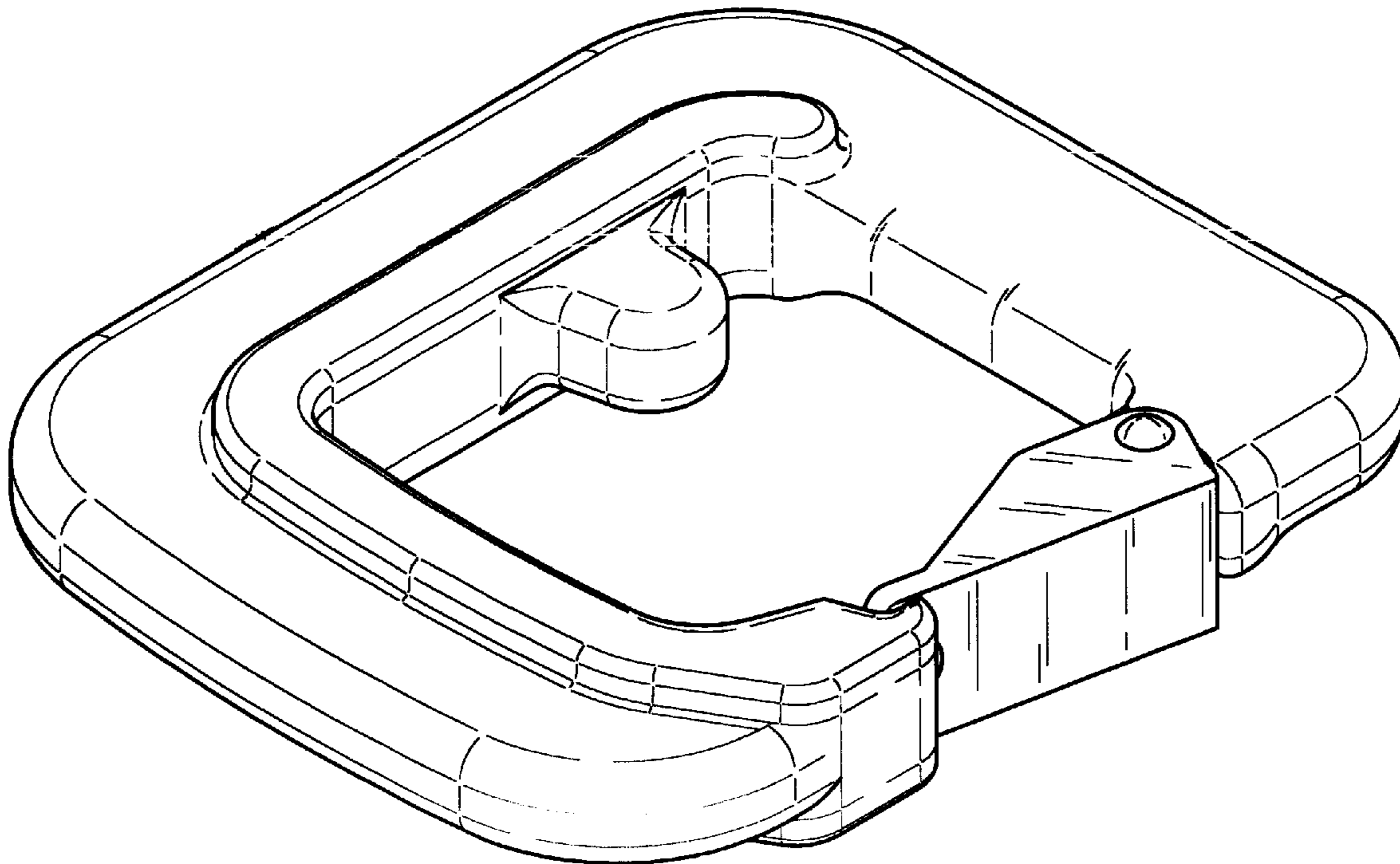




FIG5

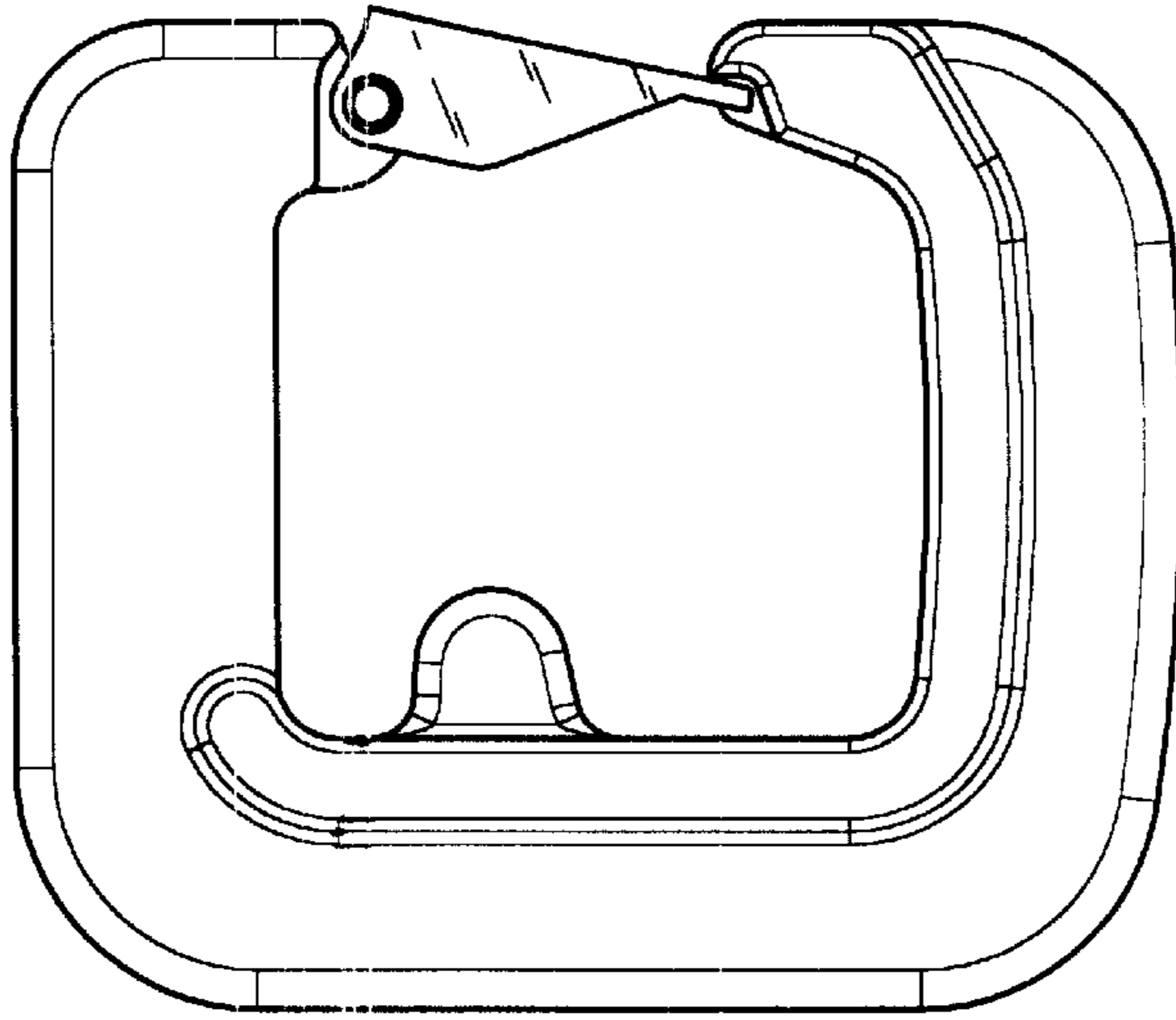


FIG1

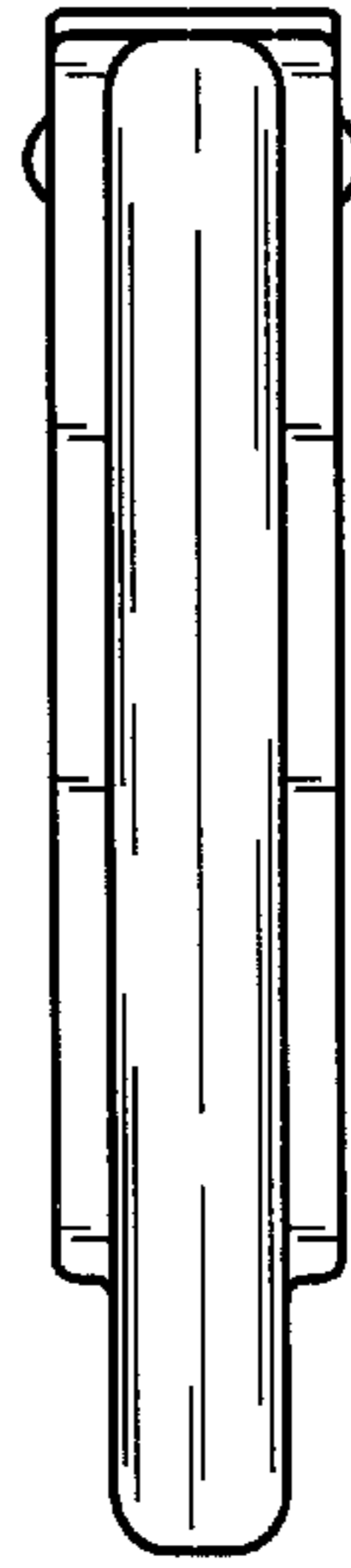


FIG6

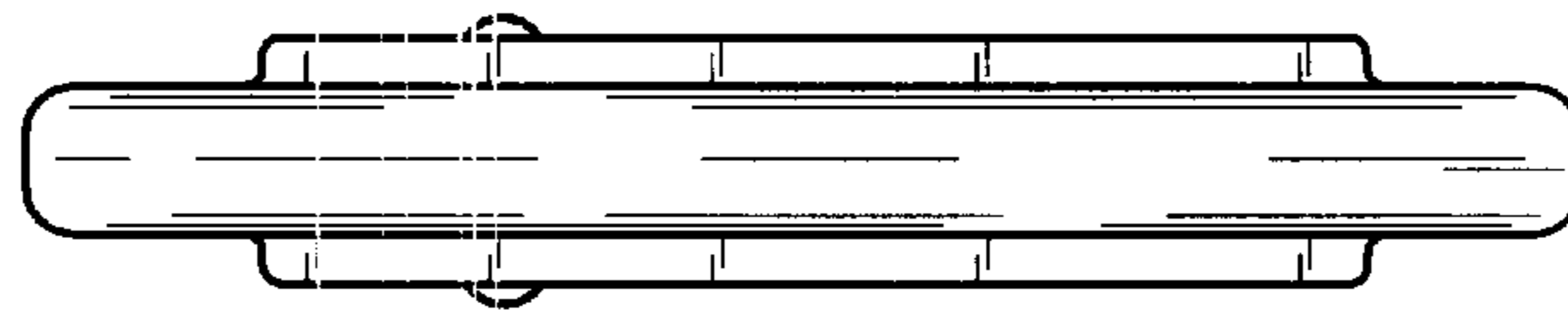


FIG3

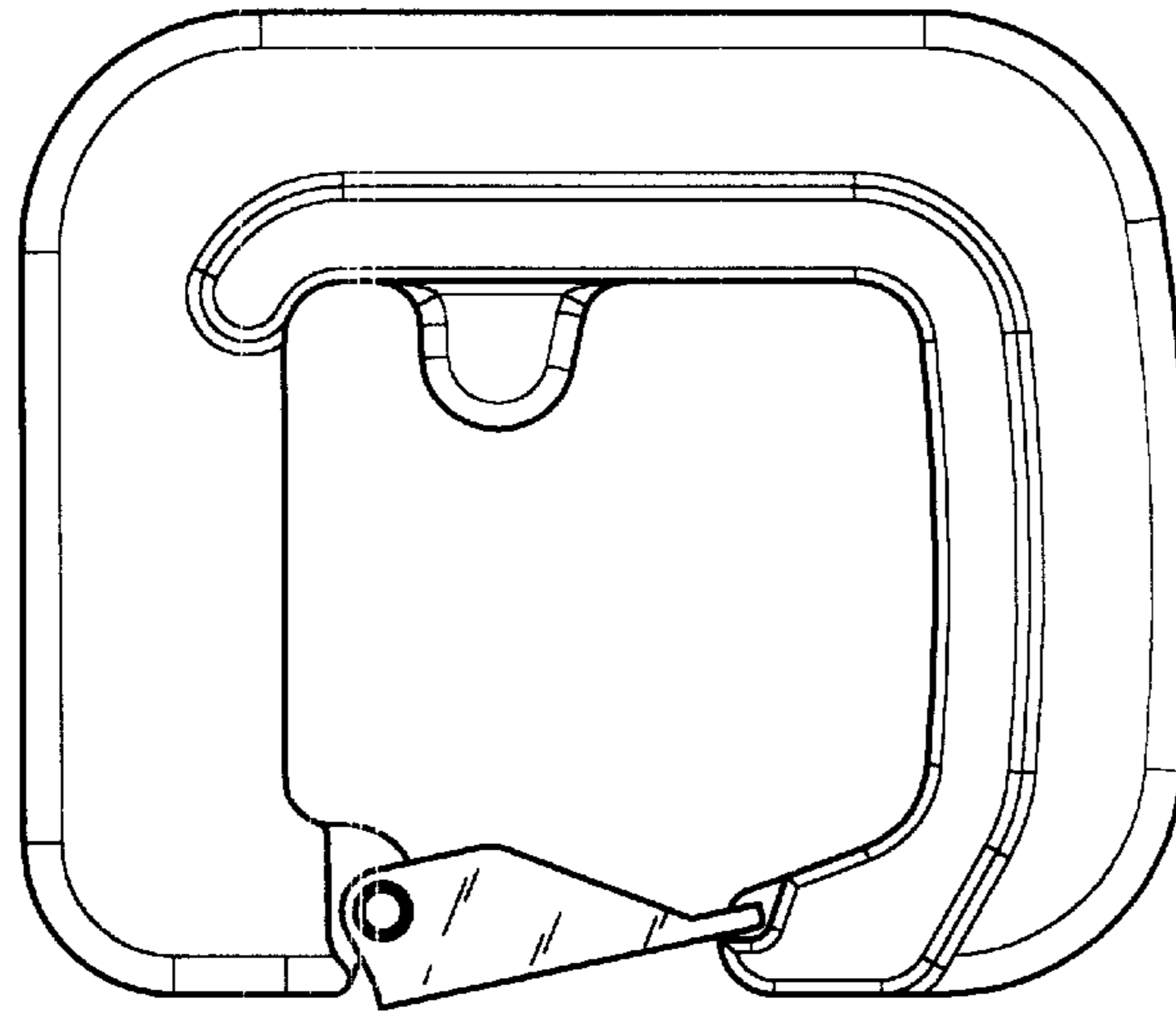


FIG2

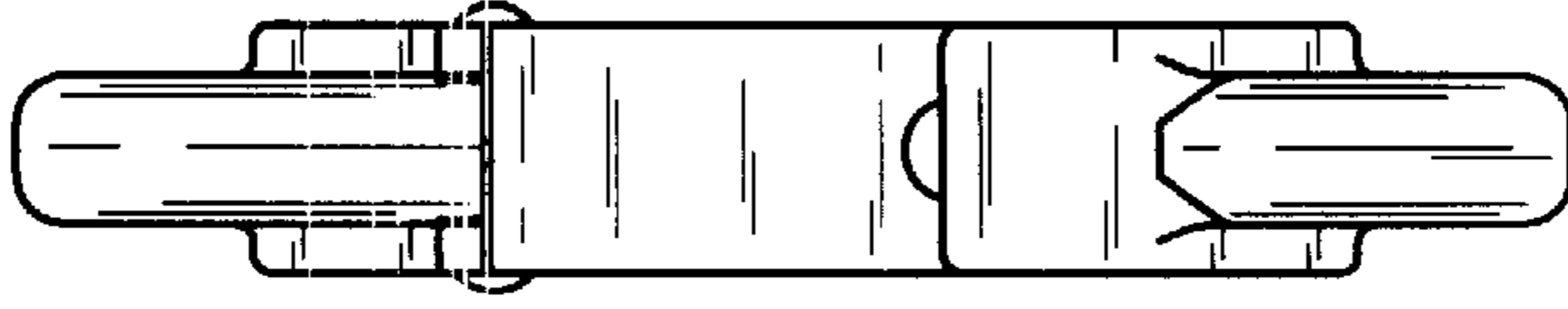


FIG4

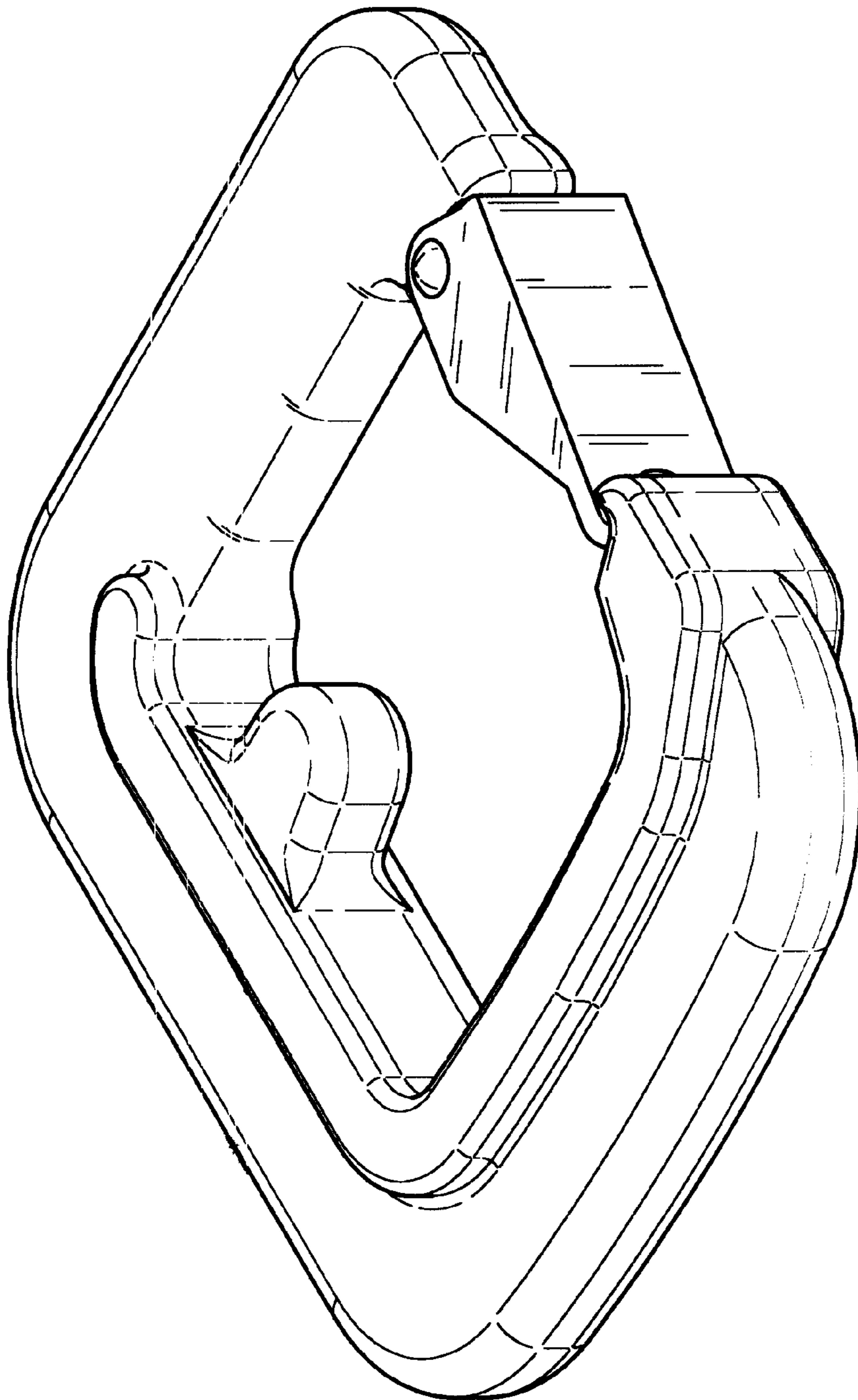


FIG7