



US00D471791S

(12) **United States Design Patent**
Bosman

(10) **Patent No.:** **US D471,791 S**

(45) **Date of Patent:** **** Mar. 18, 2003**

(54) **TABLE BASE CASTER**

(75) **Inventor:** **Scott A. Bosman**, Green Bay, WI (US)

(73) **Assignee:** **Krueger International, Inc.**, Green Bay, WI (US)

(**) **Term:** **14 Years**

(21) **Appl. No.:** **29/143,556**

(22) **Filed:** **Jun. 15, 2001**

(51) **LOC (7) Cl.** **08-05**

(52) **U.S. Cl.** **D8/375**

(58) **Field of Search** D8/375, 374; 16/45,
16/18 R, 24, 30, 18 CG, 47, 35 R, 38;
280/79.1 R; D6/495, 499; 5/104

(56) **References Cited**

U.S. PATENT DOCUMENTS

761,058 A *	5/1904	Bradbury	5/104
D132,427 S *	5/1942	Hillenbrand	D6/499
D181,662 S	12/1957	Modarelli		
D240,503 S	7/1976	Crescenzi		
D391,841 S	3/1998	Loescher		
D396,182 S *	7/1998	Hoshino et al.	D8/375

* cited by examiner

Primary Examiner—Pamela Burgess

(74) *Attorney, Agent, or Firm*—Boyle, Fredrickson, Newholm, Stein & Gratz, S.C.

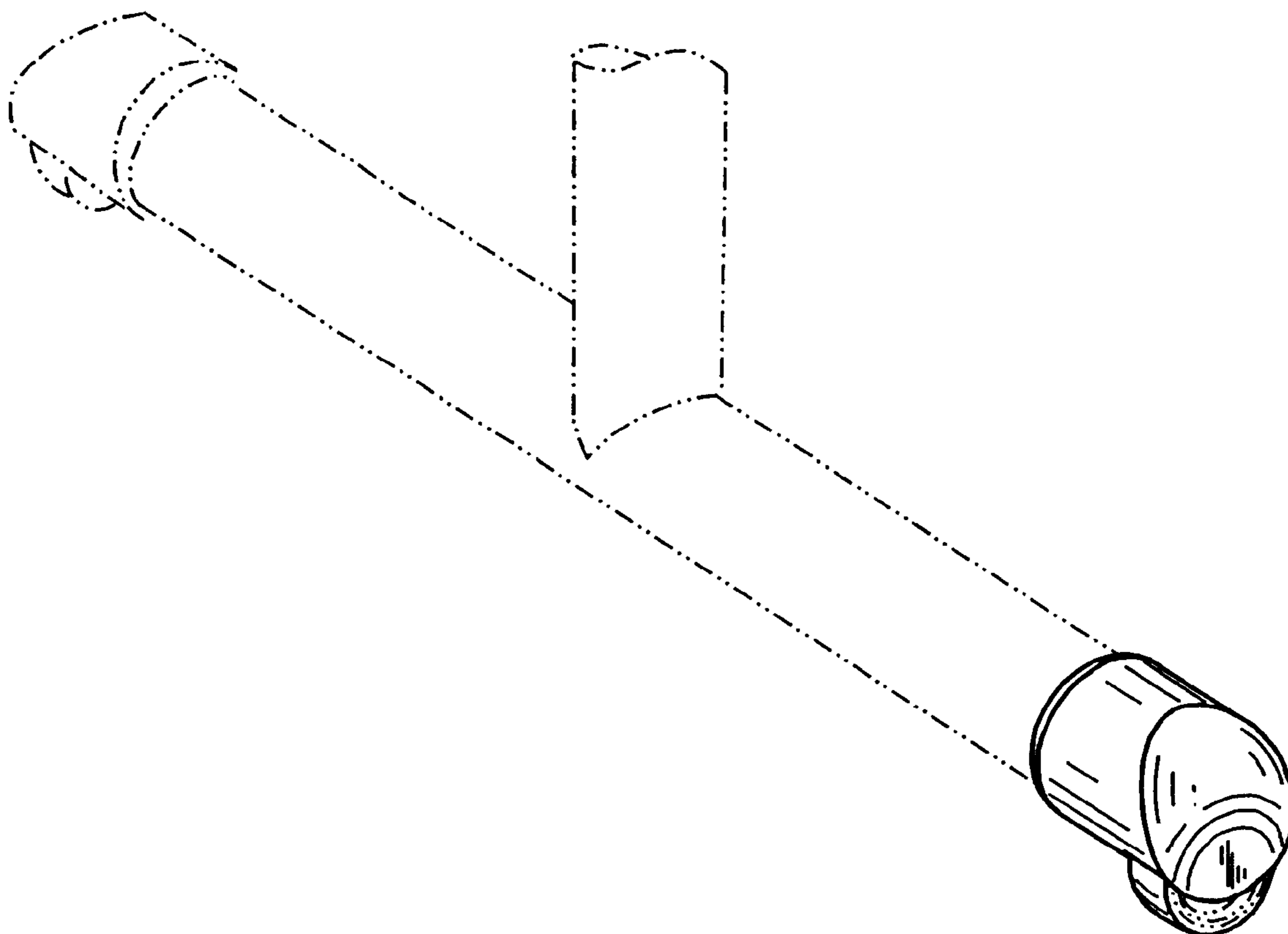
(57) **CLAIM**

The ornamental design of a table base caster, as shown and described.

DESCRIPTION

FIG. 1 is an isometric view of a table base caster incorporating my new design;
 FIG. 2 is a left side elevation view thereof, the right side elevation being a mirror image;
 FIG. 3 is a top plan view thereof;
 FIG. 4 is a front elevation view thereof;
 FIG. 5 is a rear view thereof;
 FIG. 6 is a bottom plan view thereof;
 FIG. 7 is an isometric view of a second embodiment of a table base caster incorporating my new design;
 FIG. 8 is a left side elevation view thereof, the right side elevation being a mirror image;
 FIG. 9 is a top plan view thereof;
 FIG. 10 is a front elevation view thereof;
 FIG. 11 is a rear view thereof; and,
 FIG. 12 is a bottom plan view thereof.
 The broken lines shown are for illustrative purposes only and form no part of the claimed design.

1 Claim, 2 Drawing Sheets



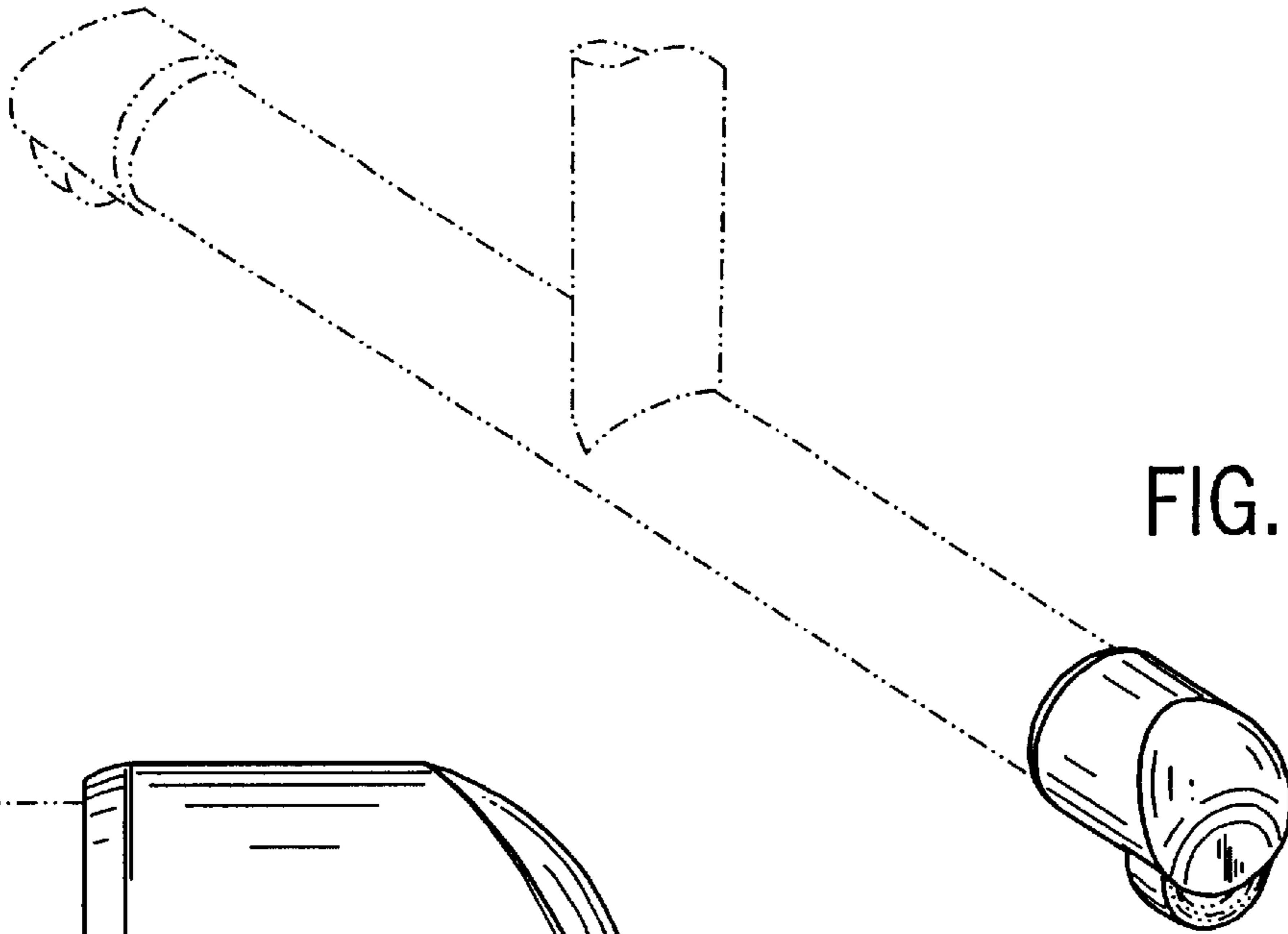


FIG. 1

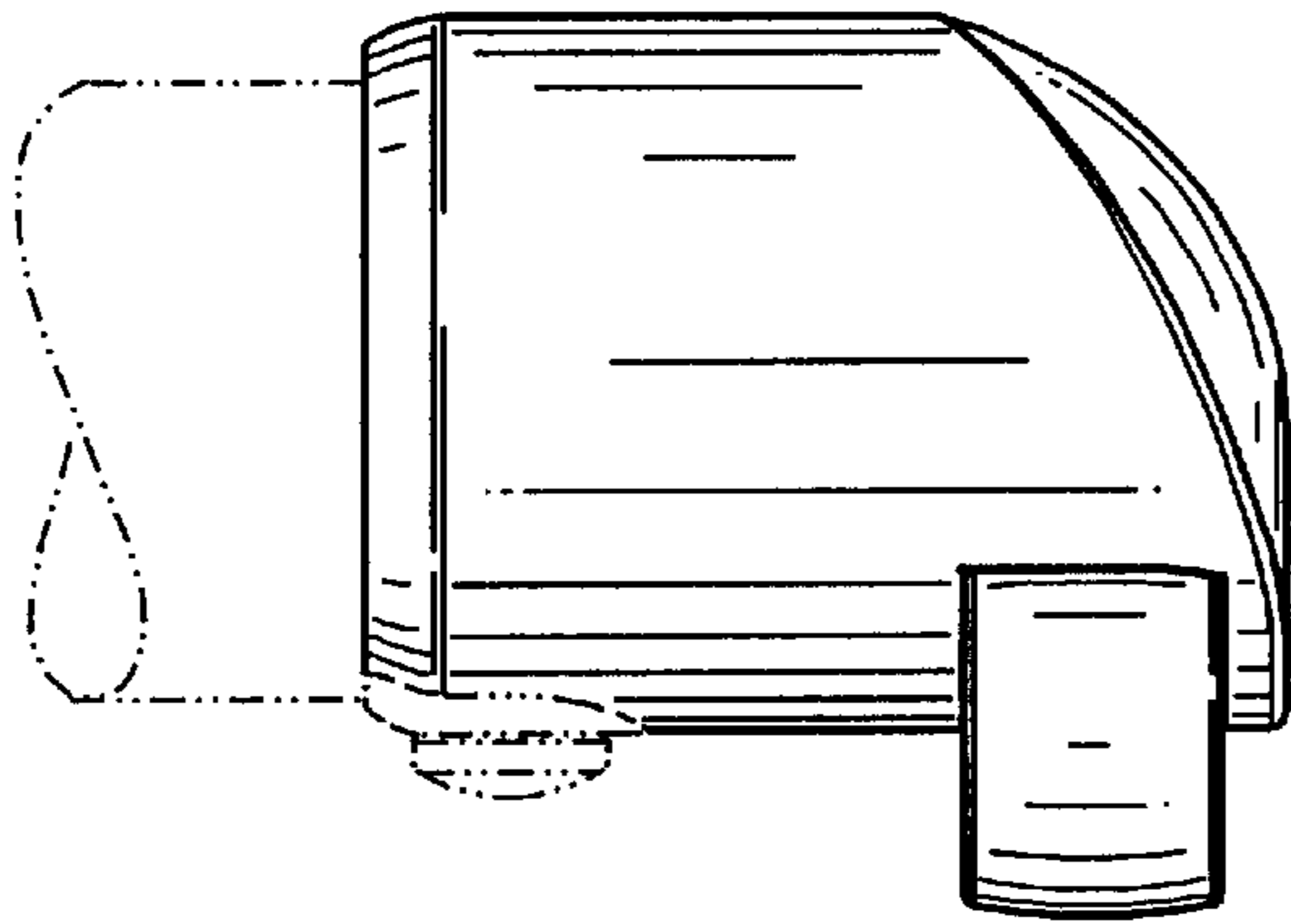


FIG. 2

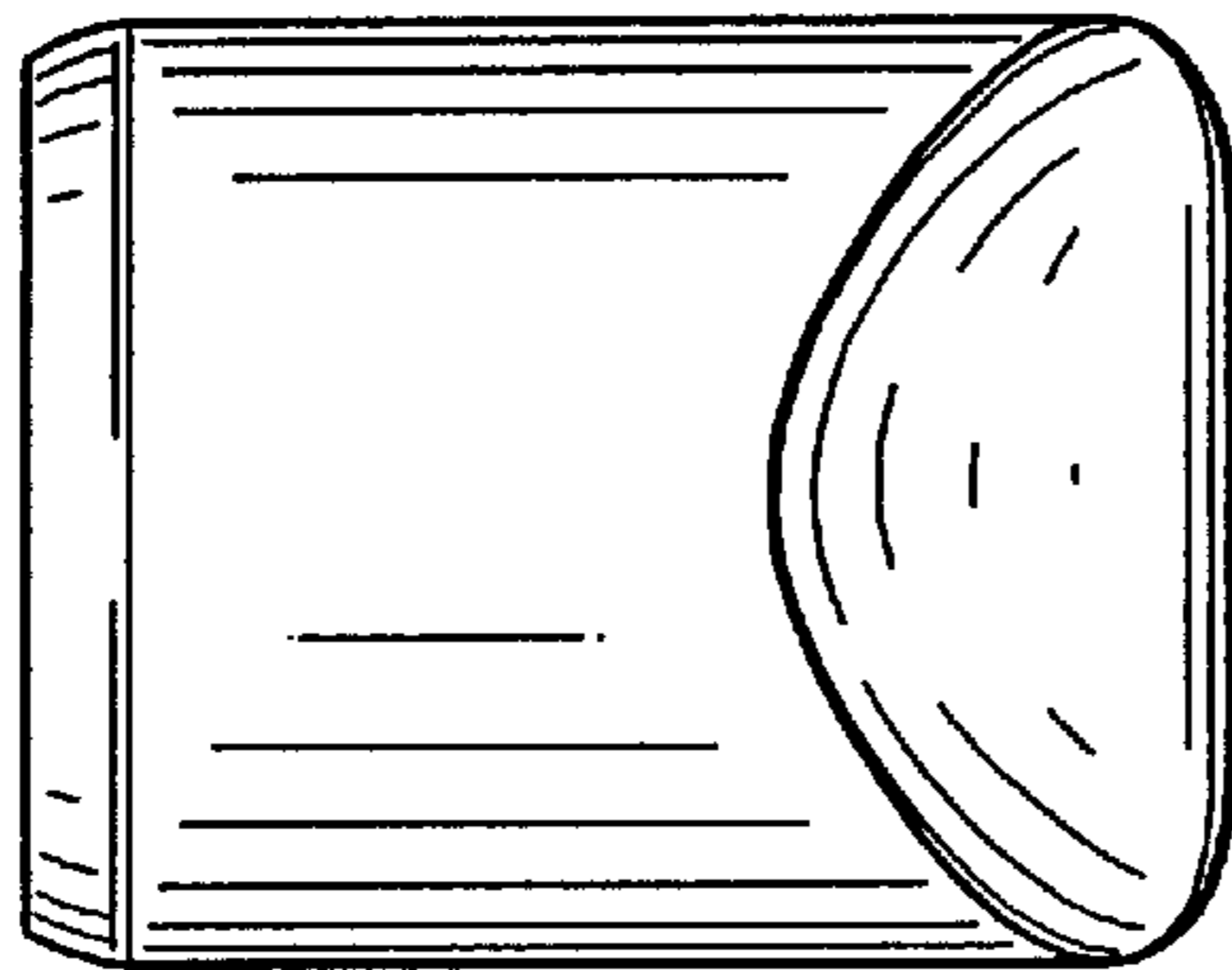


FIG. 3

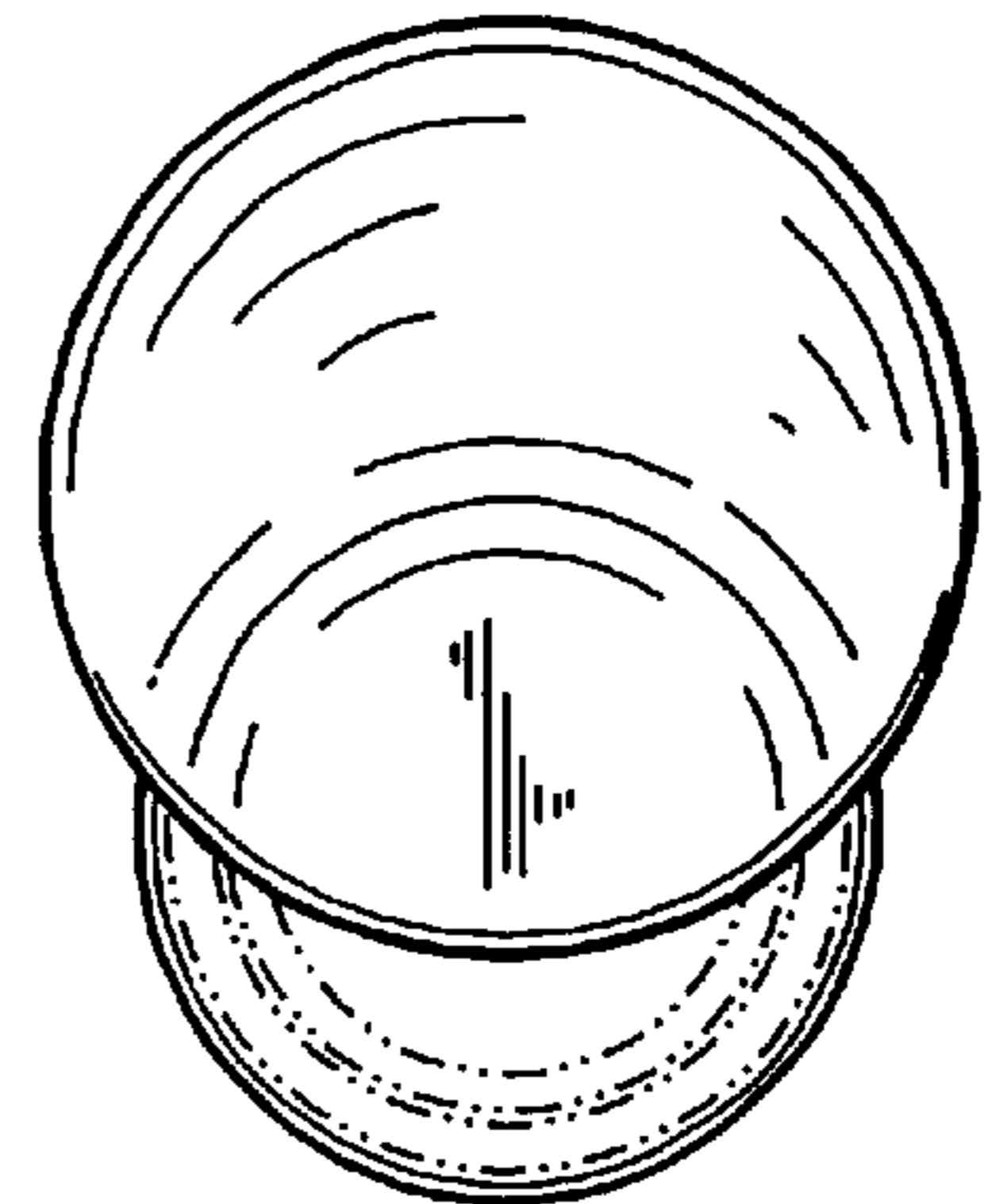


FIG. 4

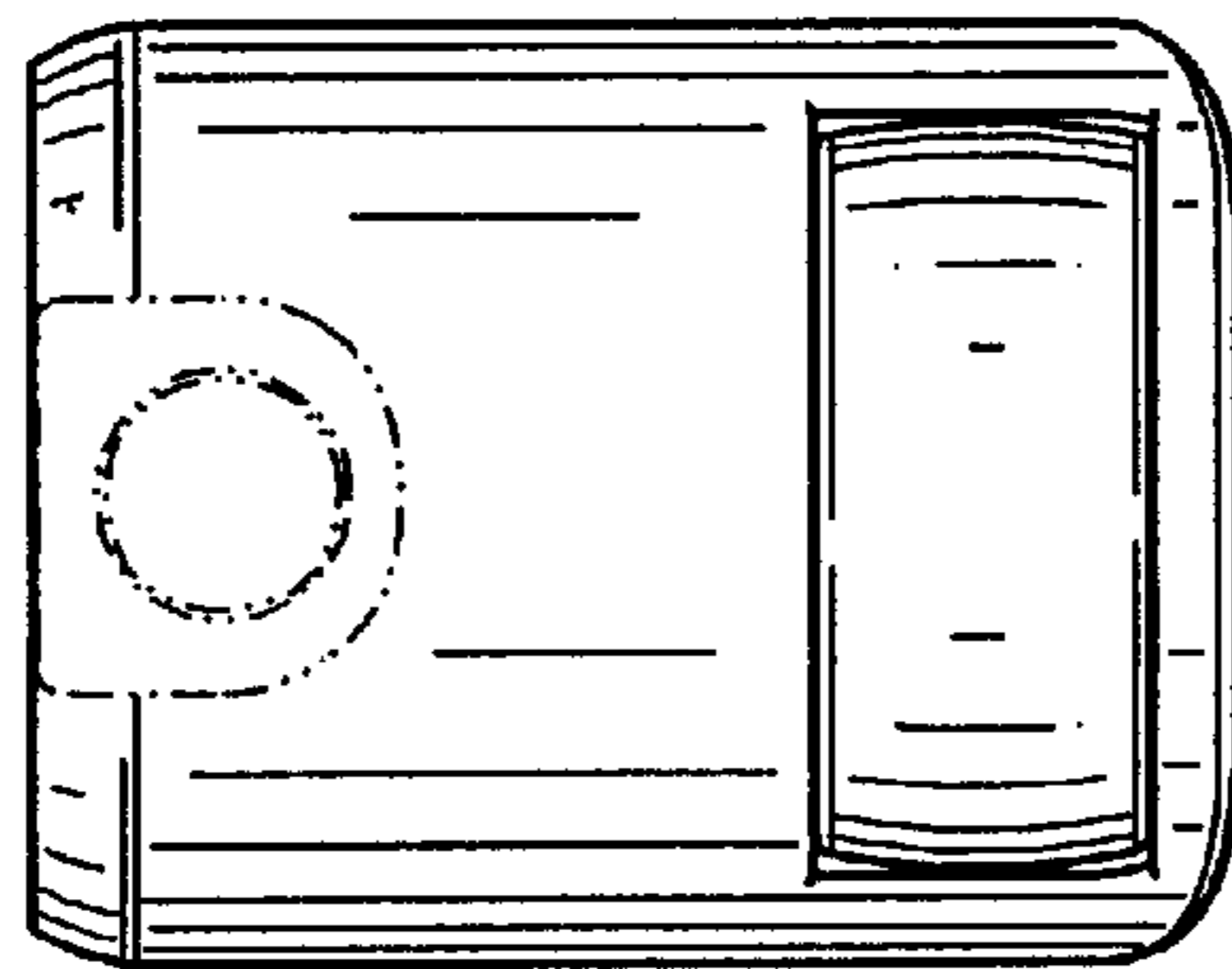


FIG. 6

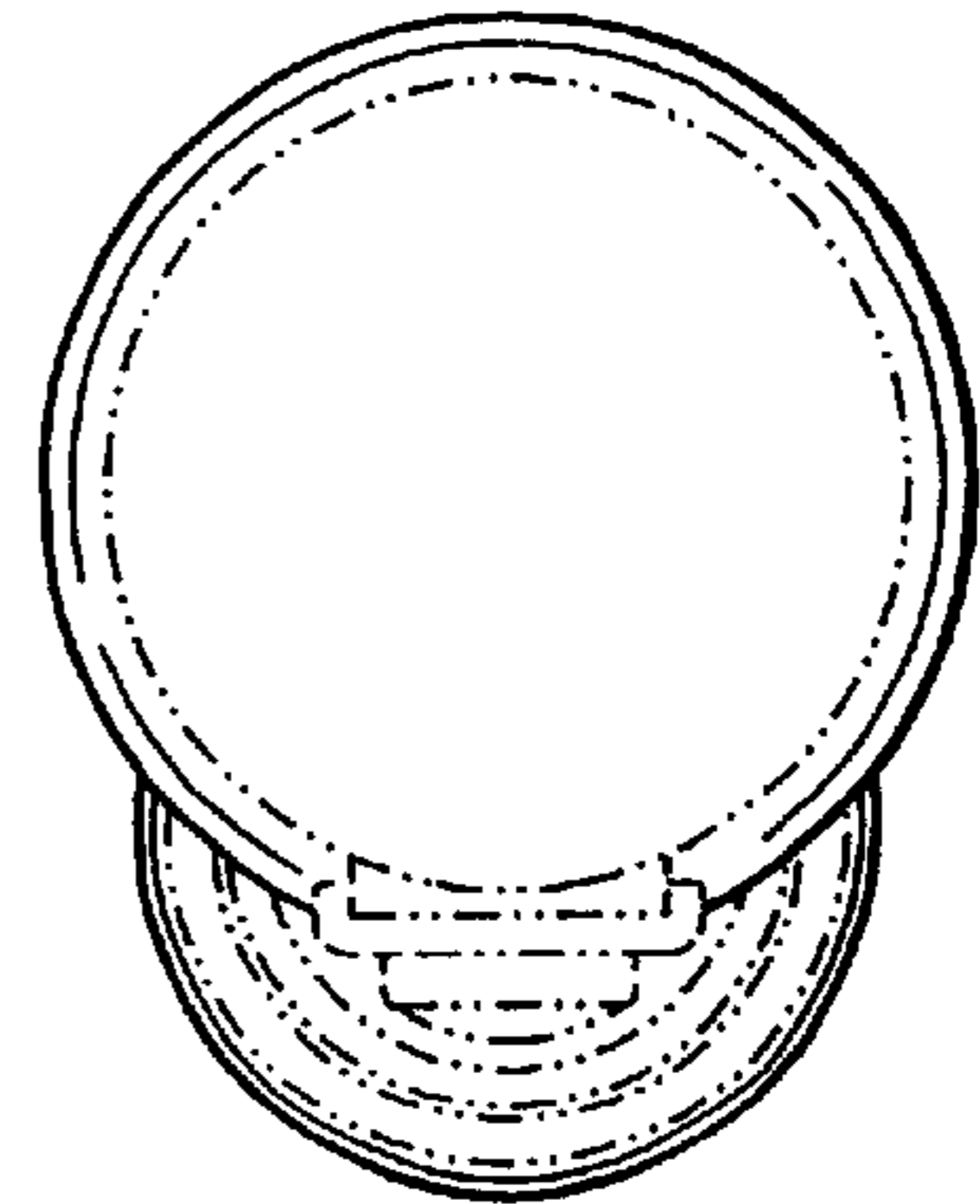


FIG. 5

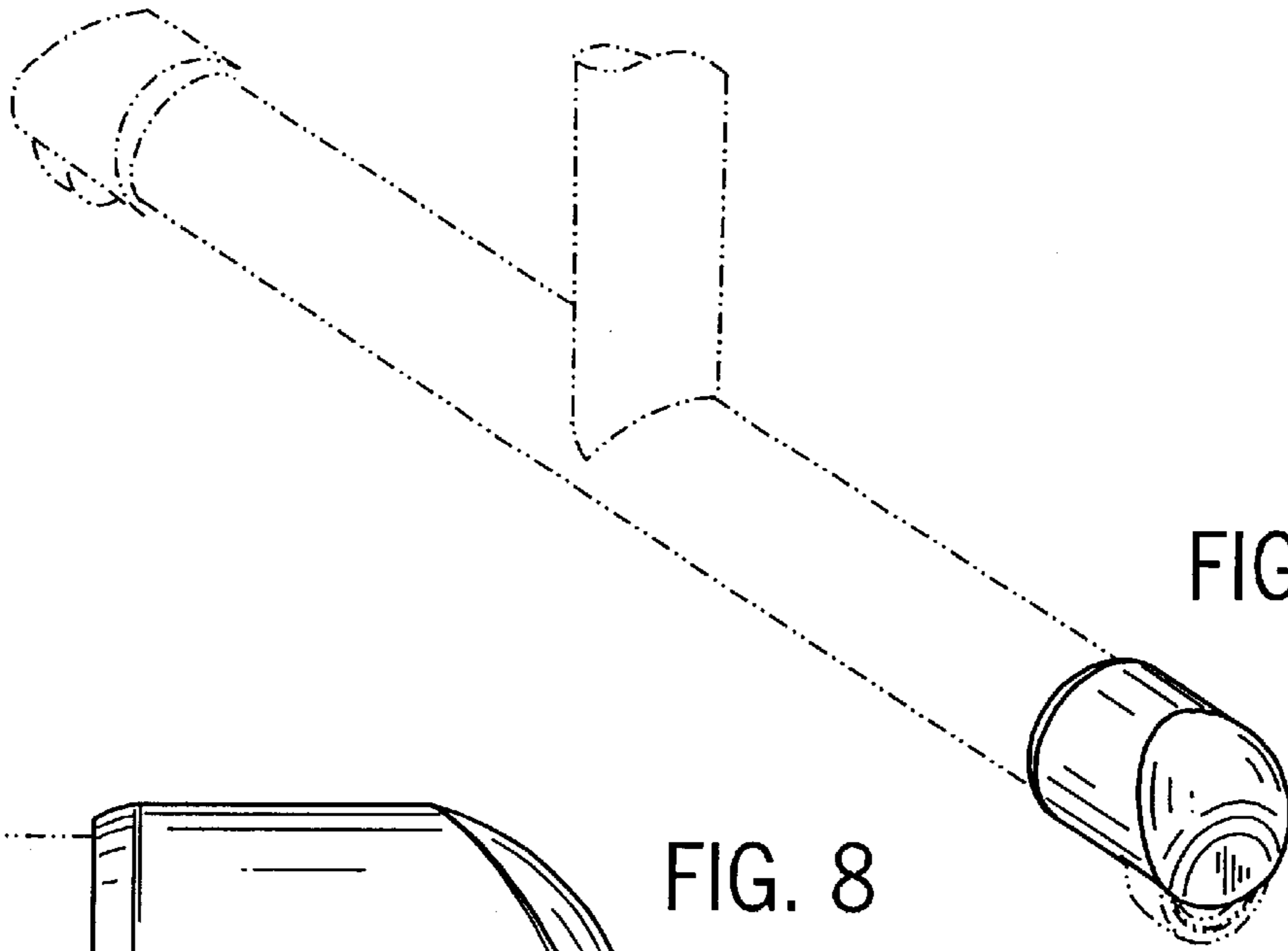


FIG. 7

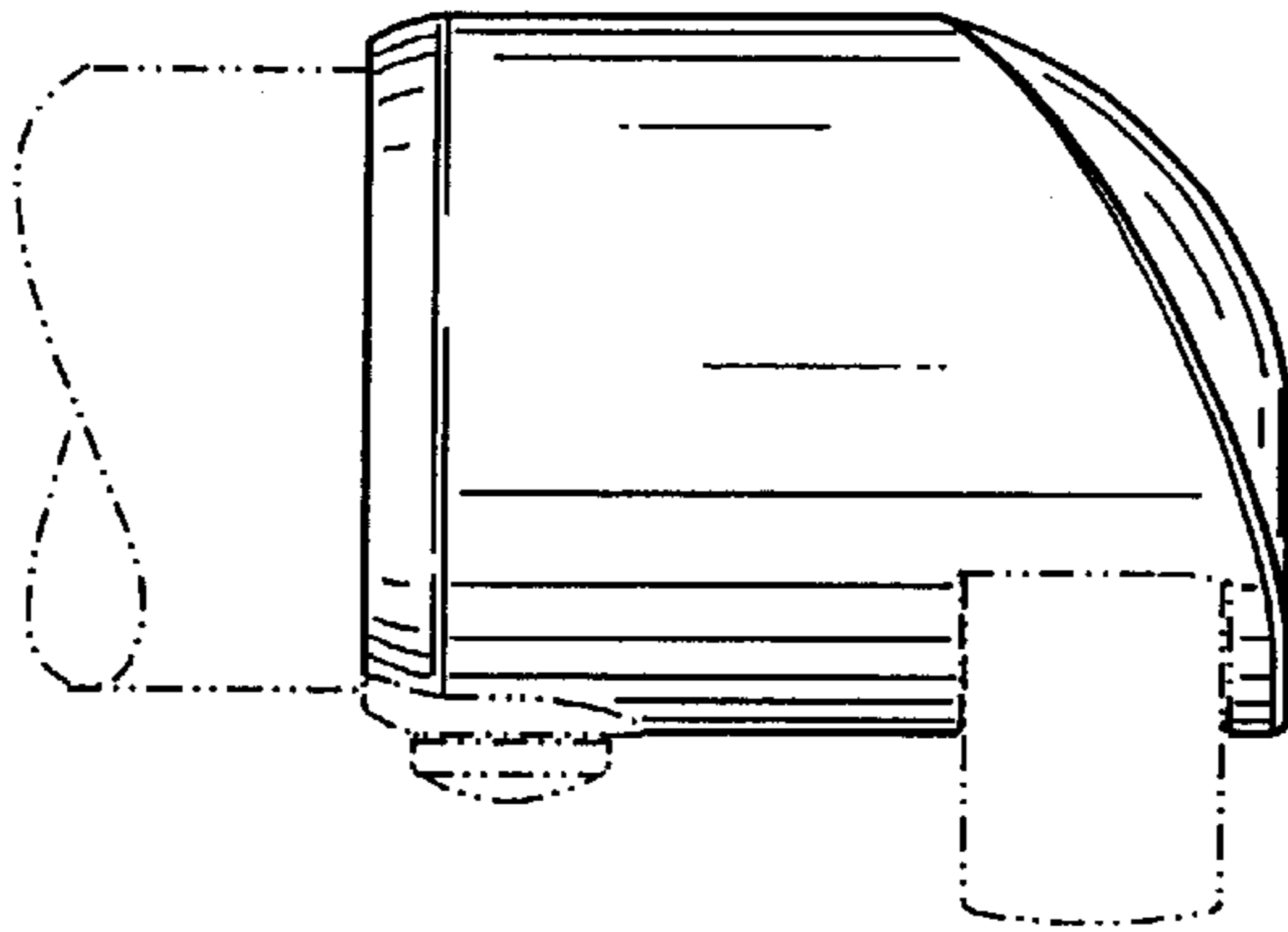


FIG. 8

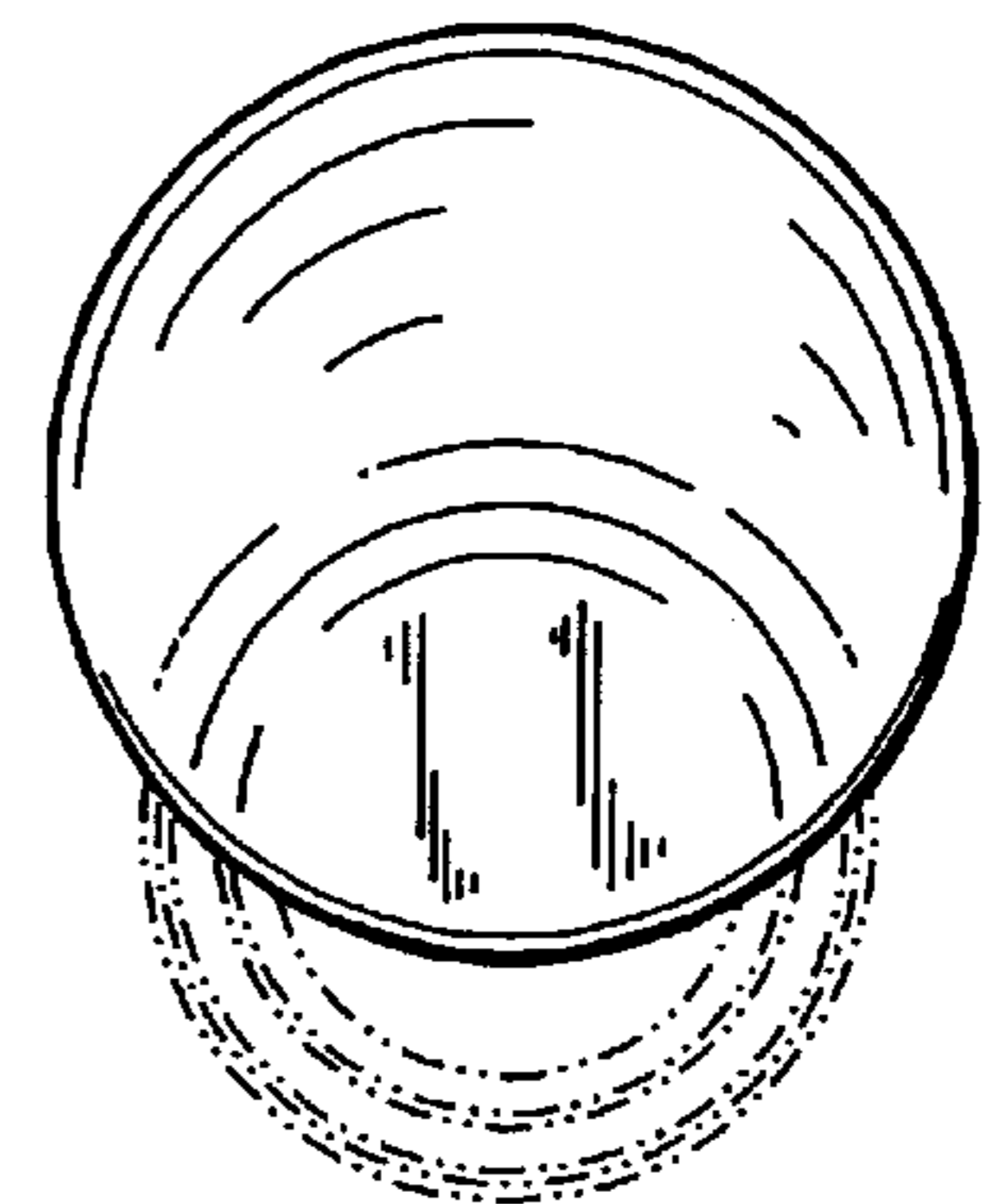


FIG. 10

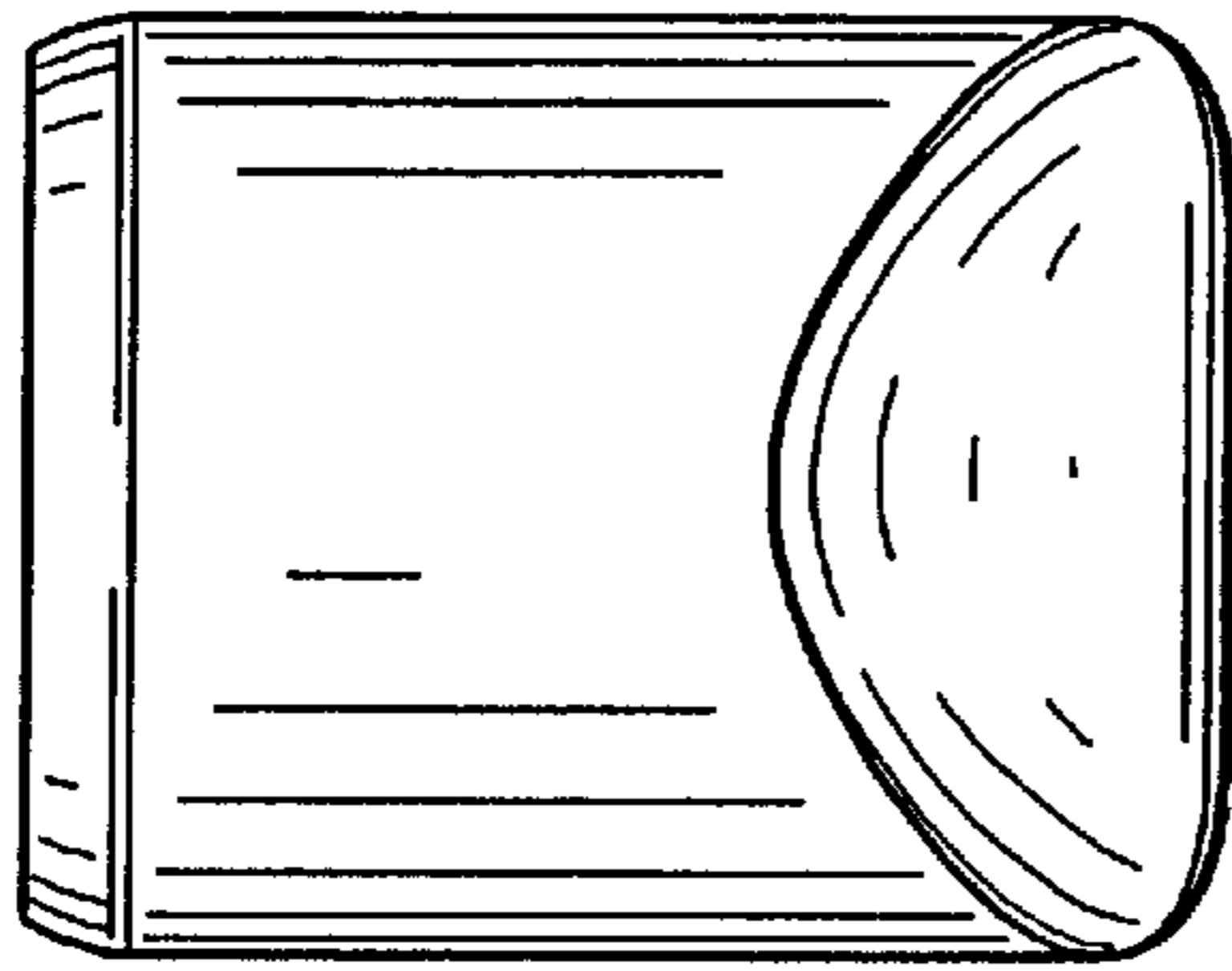


FIG. 9

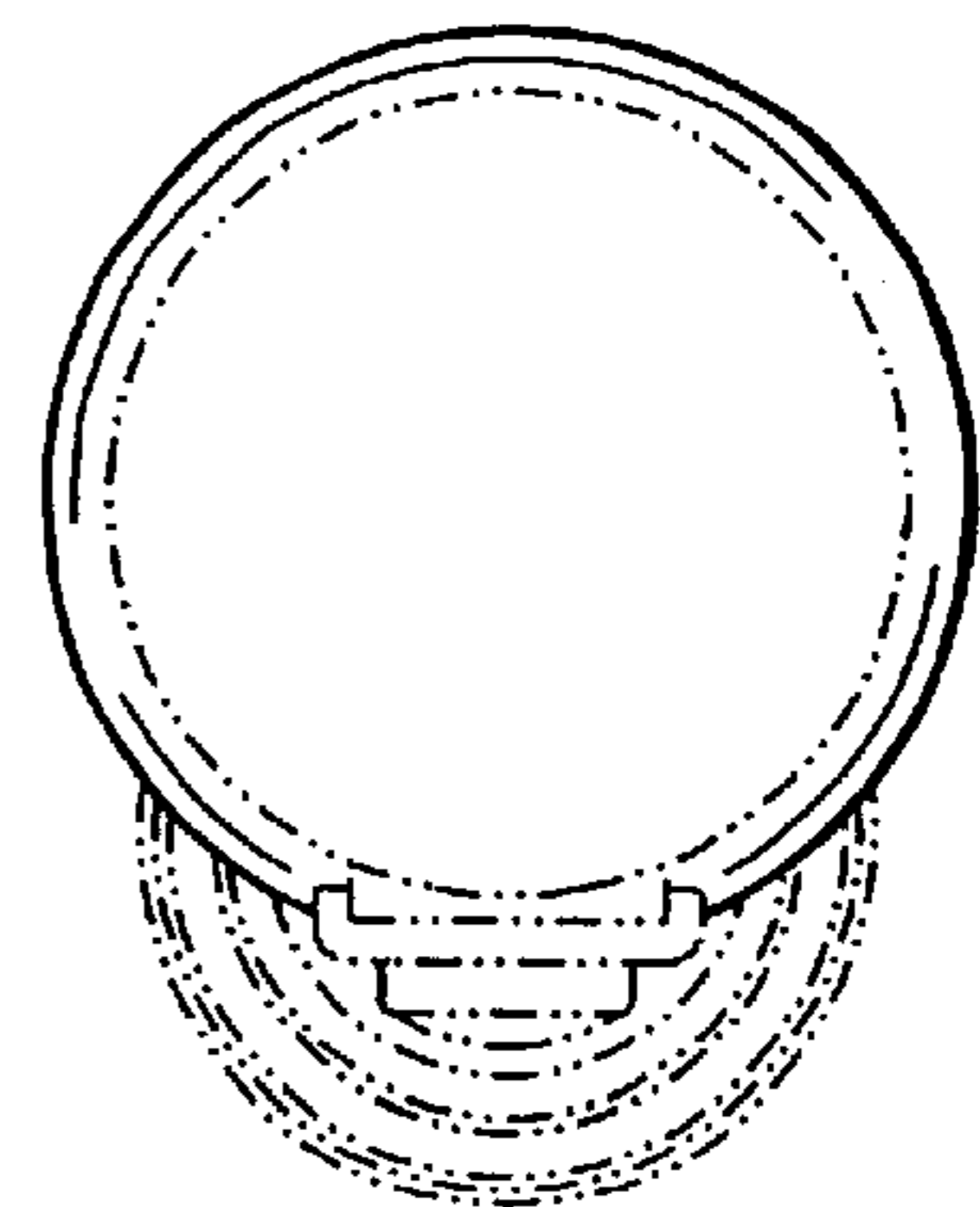


FIG. 11

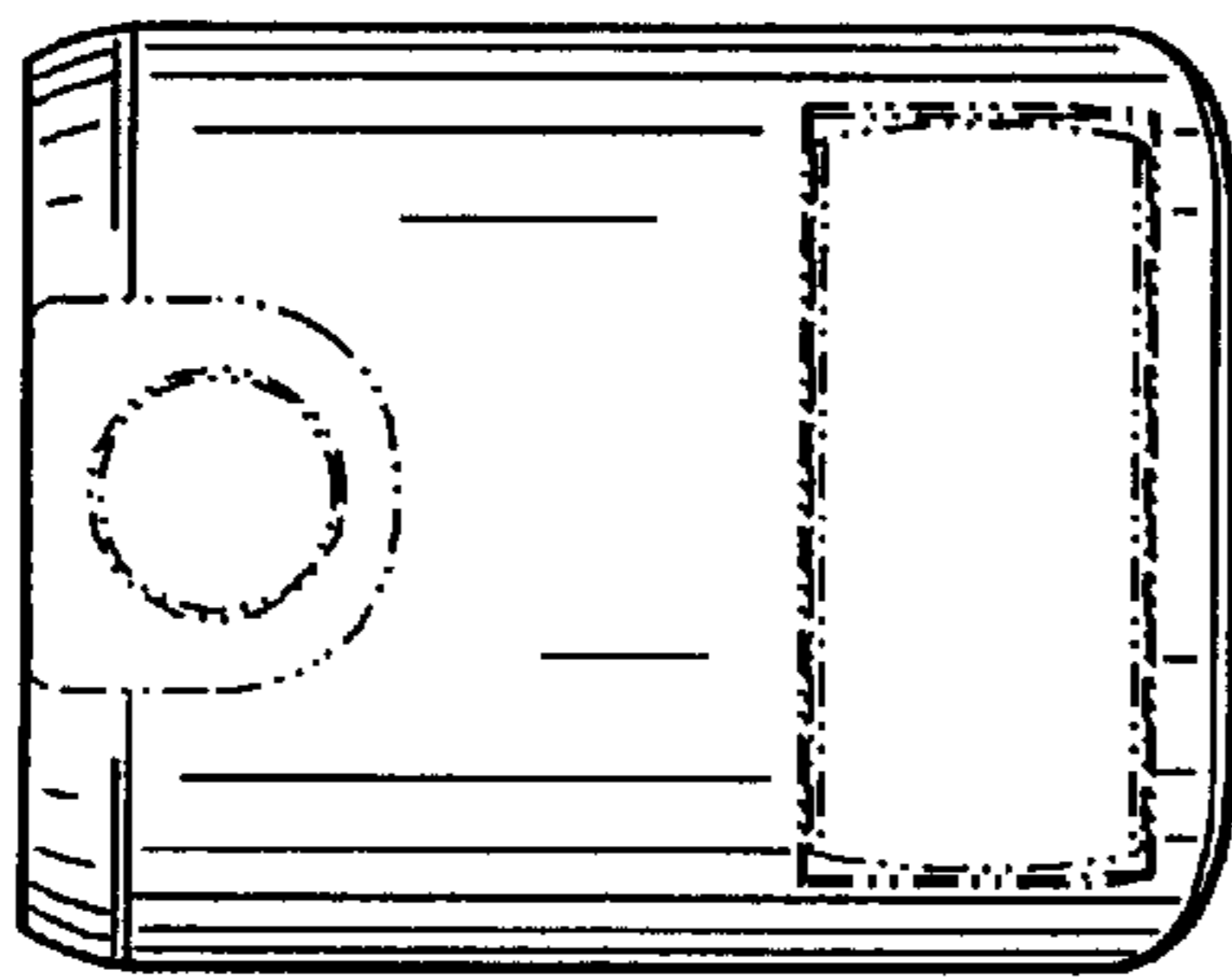


FIG. 12